



US00D918502S

(12) **United States Design Patent** (10) **Patent No.:** **US D918,502 S**
Ma (45) **Date of Patent:** **** May 4, 2021**

(54) **VACUUM CLEANER**
(71) Applicant: **Suzhou Jimo Technology Co., Ltd,**
Suzhou (CN)
(72) Inventor: **Chaoliang Ma,** Suzhou (CN)
(73) Assignee: **SUZHOU JIMO TECHNOLOGY**
CO., LTD, Suzhou (CN)

D421,671 S * 3/2000 Thomas D32/18
D475,820 S 6/2003 Dyson et al.
D522,191 S * 5/2006 Erlich D32/18
(Continued)

(**) Term: **15 Years**
(21) Appl. No.: **29/743,639**
(22) Filed: **Jul. 23, 2020**

FOREIGN PATENT DOCUMENTS

KR 301071482.0000 * 8/2020

(30) **Foreign Application Priority Data**

Jul. 16, 2020 (CN) 202030387883.2

(51) **LOC (13) Cl.** **15-05**
(52) **U.S. Cl.**
USPC **D32/18; D32/21**

OTHER PUBLICATIONS

These are the best hair dryer deals for Dec. 2020, available in theangle.digitaltrends.com, announced on Dec. 8, 2020 [online], [site visited Jan. 28, 2021], Available from the internet URL: https://theangle.digitaltrends.com/deals/best-black-friday-cyber-monday-hair-dryer-deals/ (Year: 2020).*

(Continued)

Primary Examiner — Dana K Weiland
Assistant Examiner — Jennylou M Binas

(58) **Field of Classification Search**
USPC D32/17, 18, 21, 22, 31; D21/526
CPC A47L 5/24; A47L 5/26; A47L 5/28; A47L
9/102; A47L 9/122; A47L 9/127; A47L
9/1608; A47L 9/1683; A47L 9/2857;
A47L 9/2884; A47L 9/32; A47L 9/322;
B04C 5/185; B08B 3/04; B01D 2279/55;
B23Q 11/0046; B23Q 11/0071; E04H
4/1636; Y10T 29/49716
See application file for complete search history.

(57) **CLAIM**

The ornamental design for a vacuum cleaner, as shown and described.

(56) **References Cited**

U.S. PATENT DOCUMENTS

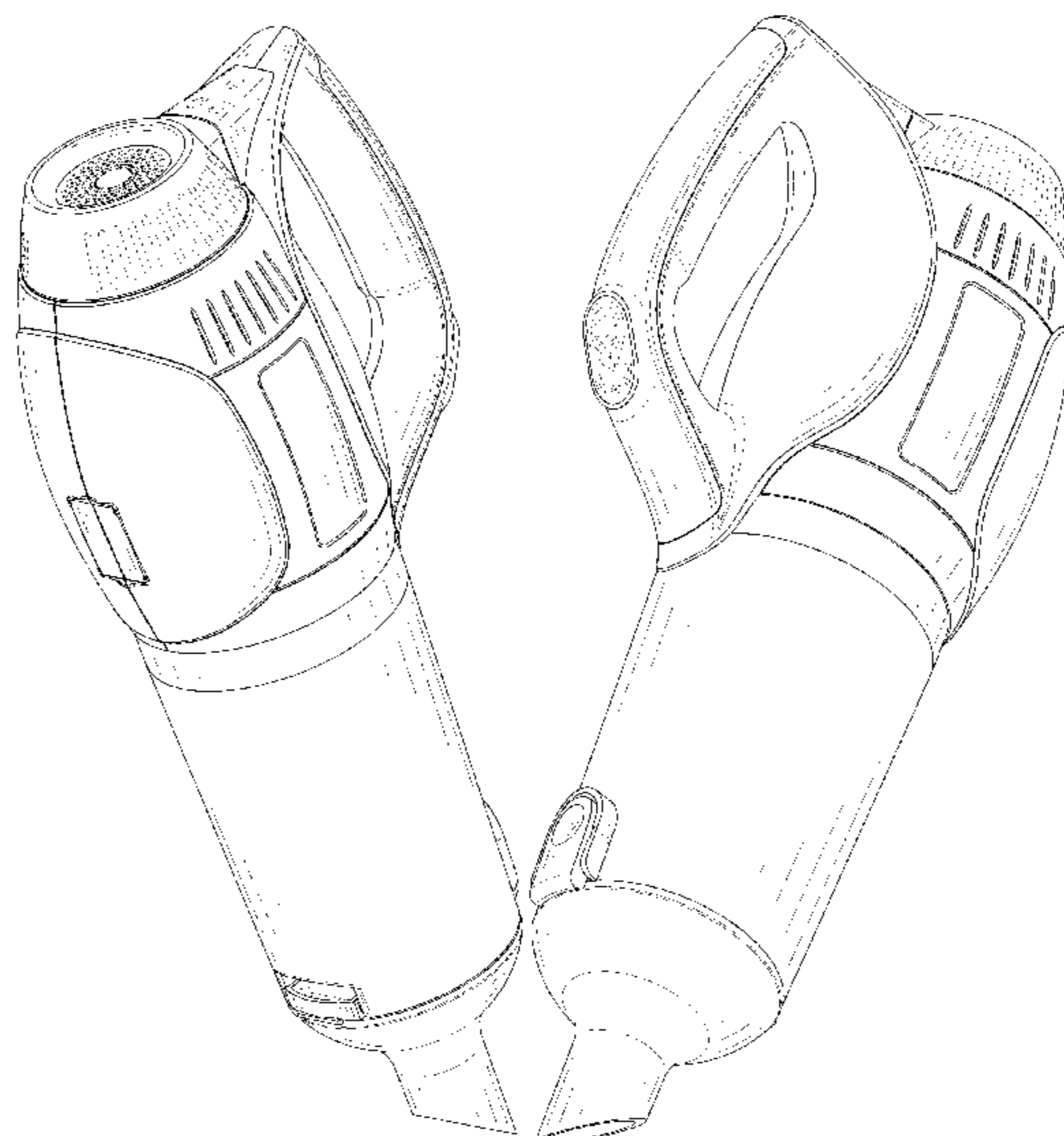
1,861,261 A * 5/1932 Carson A47L 5/24
15/344
D212,829 S * 11/1968 Kraines D32/18
D314,846 S * 2/1991 deBlois D32/18
D320,099 S * 9/1991 Case D32/18
D399,618 S * 10/1998 Jacobs D32/22

DESCRIPTION

FIG. 1 is a perspective view of a vacuum cleaner showing my new design;
FIG. 2 is another perspective view thereof;
FIG. 3 is a front elevational view thereof;
FIG. 4 is a rear elevational view thereof;
FIG. 5 is a left side elevational view thereof;
FIG. 6 is a right side elevational view thereof;
FIG. 7 is a top plan view thereof;
FIG. 8 is a bottom plan view thereof; and,
FIG. 9 is a perspective view of the vacuum cleaner on a cradle.

The broken lines in the drawings are for the purpose of illustrating portions of the vacuum cleaner that form no part of the claimed design. The broken lines showing a cradle in FIG. 9 are for the purpose of illustrating environment and form no part of the claimed design.

1 Claim, 9 Drawing Sheets



(56)

References Cited

U.S. PATENT DOCUMENTS

D526,752 S	*	8/2006	Rosenzweig	D32/18
D547,505 S	*	7/2007	Carr	D32/31
D640,848 S	*	6/2011	Houghton	D32/18
D685,542 S	*	7/2013	Erlich	D32/18
D807,598 S		1/2018	Houghton	
D827,955 S		9/2018	Palladino et al.	
D876,034 S	*	2/2020	Zhou	D32/18
D880,086 S	*	3/2020	Tan	D32/18

OTHER PUBLICATIONS

APOSEN Handheld Vacuum, available in Amazon.com, customer review oldest date Nov. 3, 2020 [online], [site visited Jan. 28, 2021], Available from the internet URL: https://www.amazon.com/APOSEN-Handheld-Charging-Cordless-Portable/dp/B08DV6JSDP/ref=cm_cr_ar_p_d_product_top?ie=UTF8 (Year: 2020).*

Black+Decker CHV1410L 16volt Lithium Cordless Dust Buster Hand Vac, announced in YouTube on Mar. 27, 2016 [online], [site visited Jan. 28, 2021], Available from the internet URL: <https://www.youtube.com/watch?v=4cqWsx11HIA&feature=youtu.be> (Year: 2016).*

Cordless Vacuum Handheld Cleaner, available in Amazon.com, customer review oldest date Jun. 17, 2019 [online], [site visited Jan. 28, 2021], Available from the internet URL: https://www.amazon.com/dp/B08KXX1N1P/ref=cm_sw_r_em_apa_fabc_ivHeGbNM9C43A?_encoding=UTF8&psc=1 (Year: 2019).*

* cited by examiner

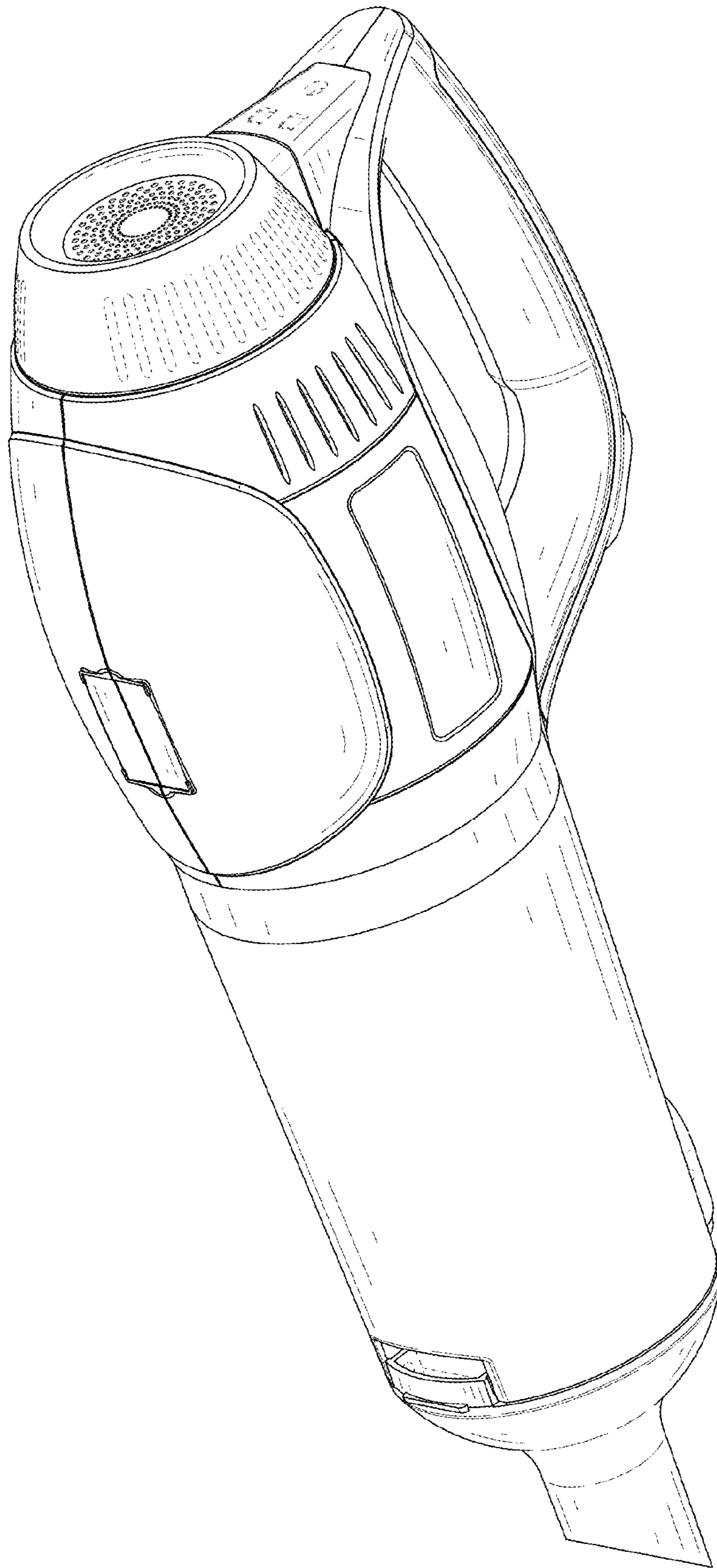


FIG. 1

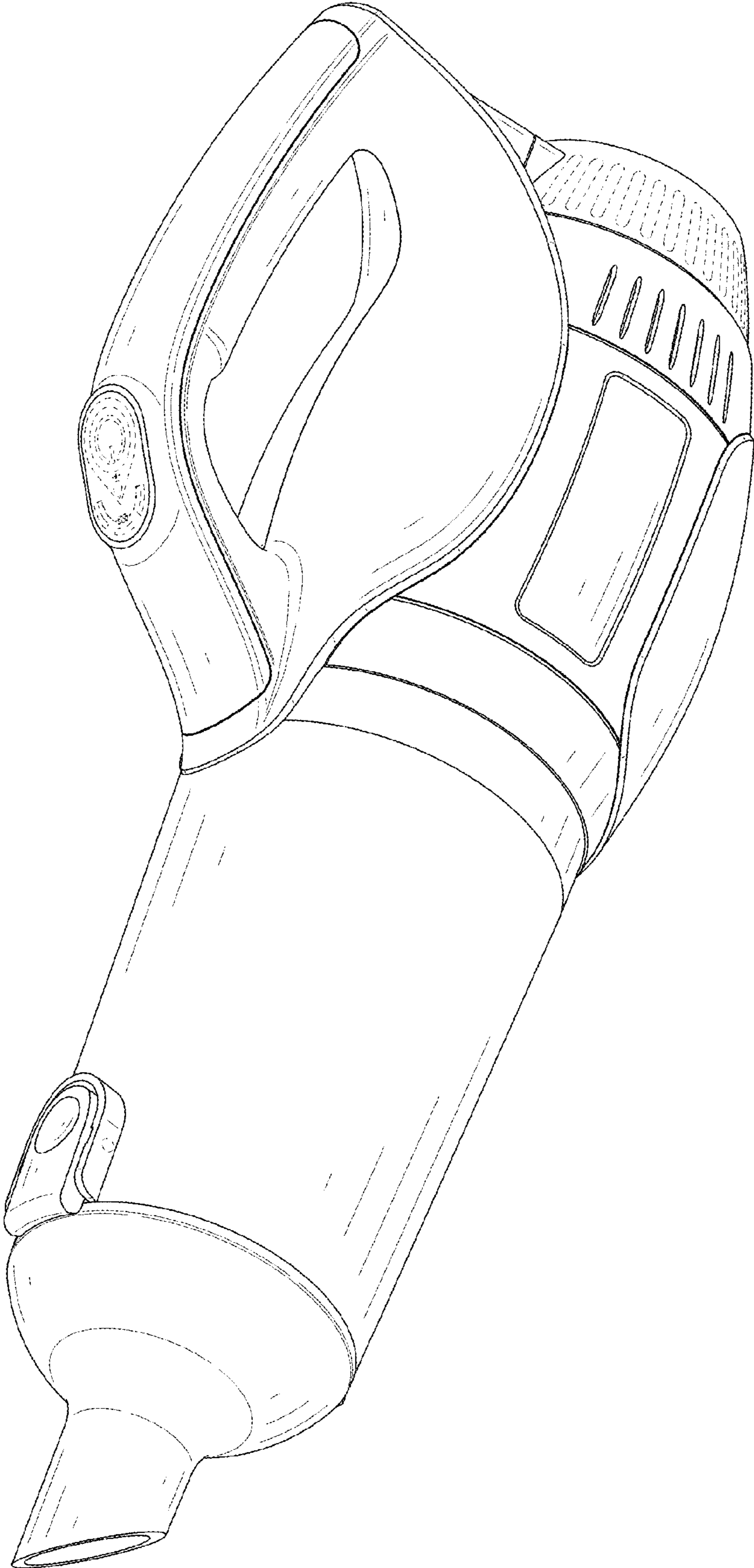


FIG. 2

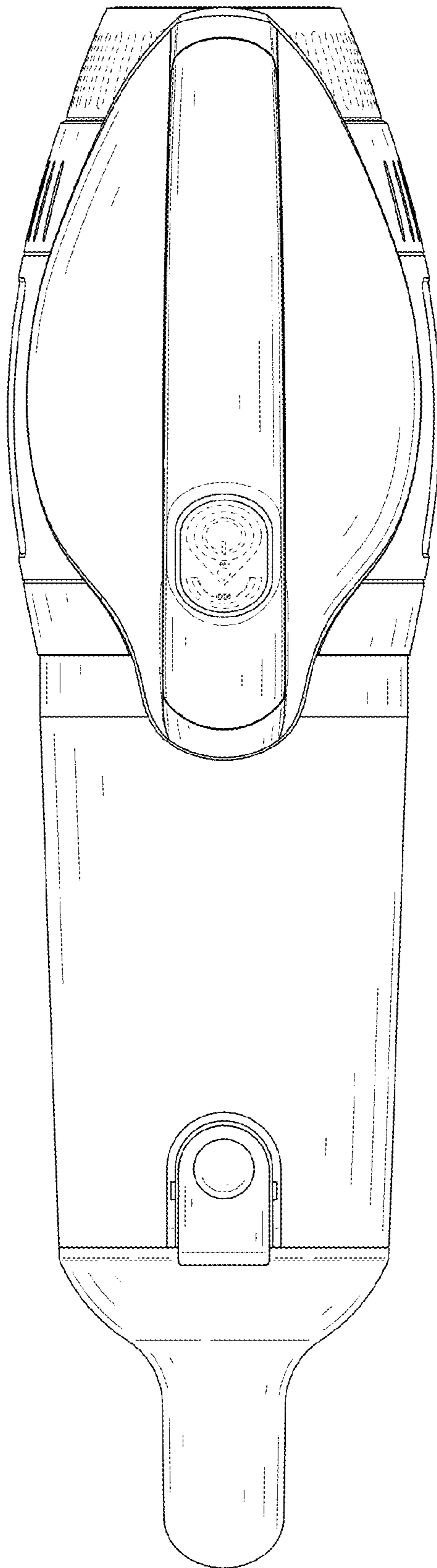


FIG. 3

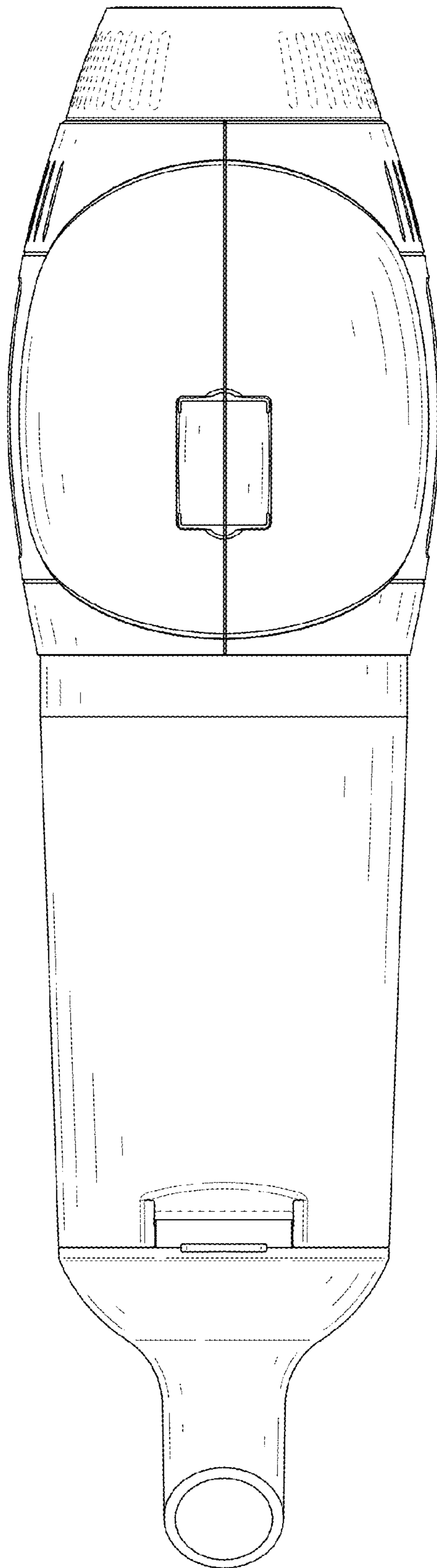


FIG. 4

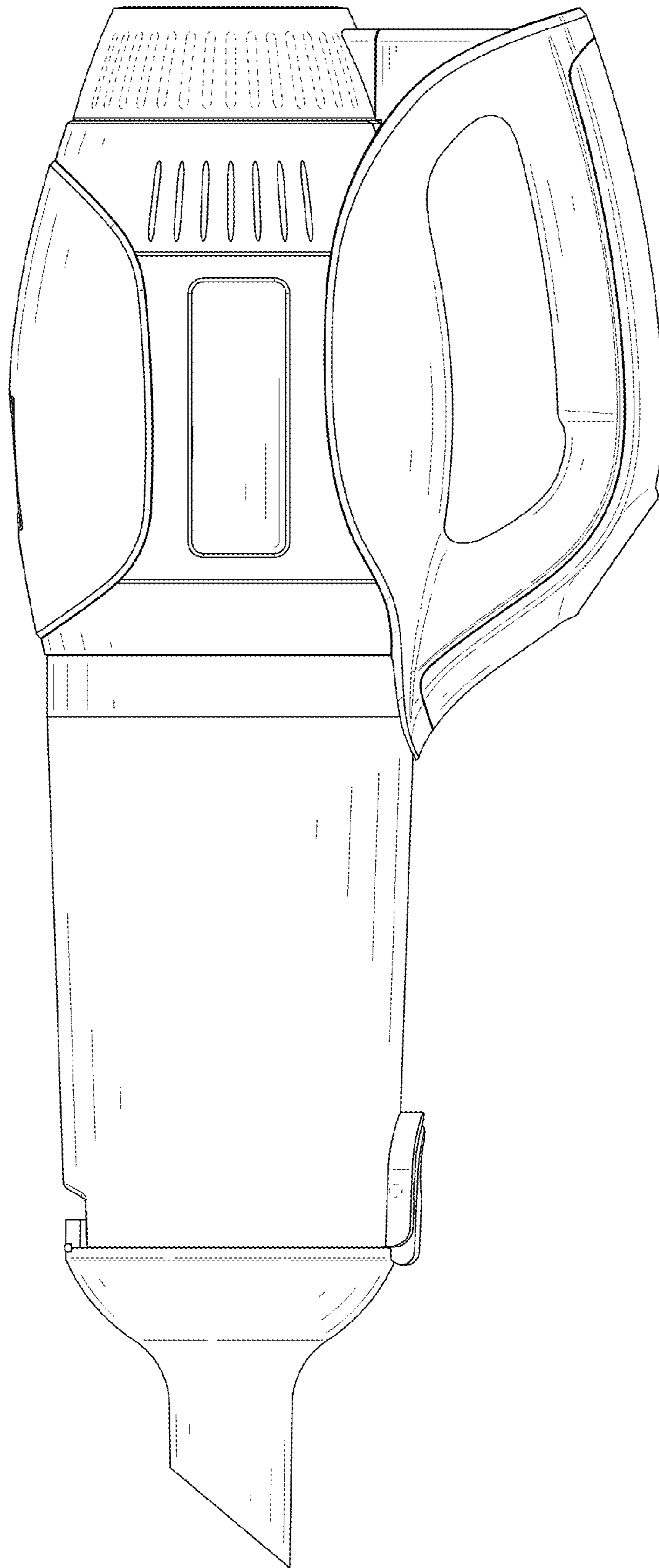


FIG. 5

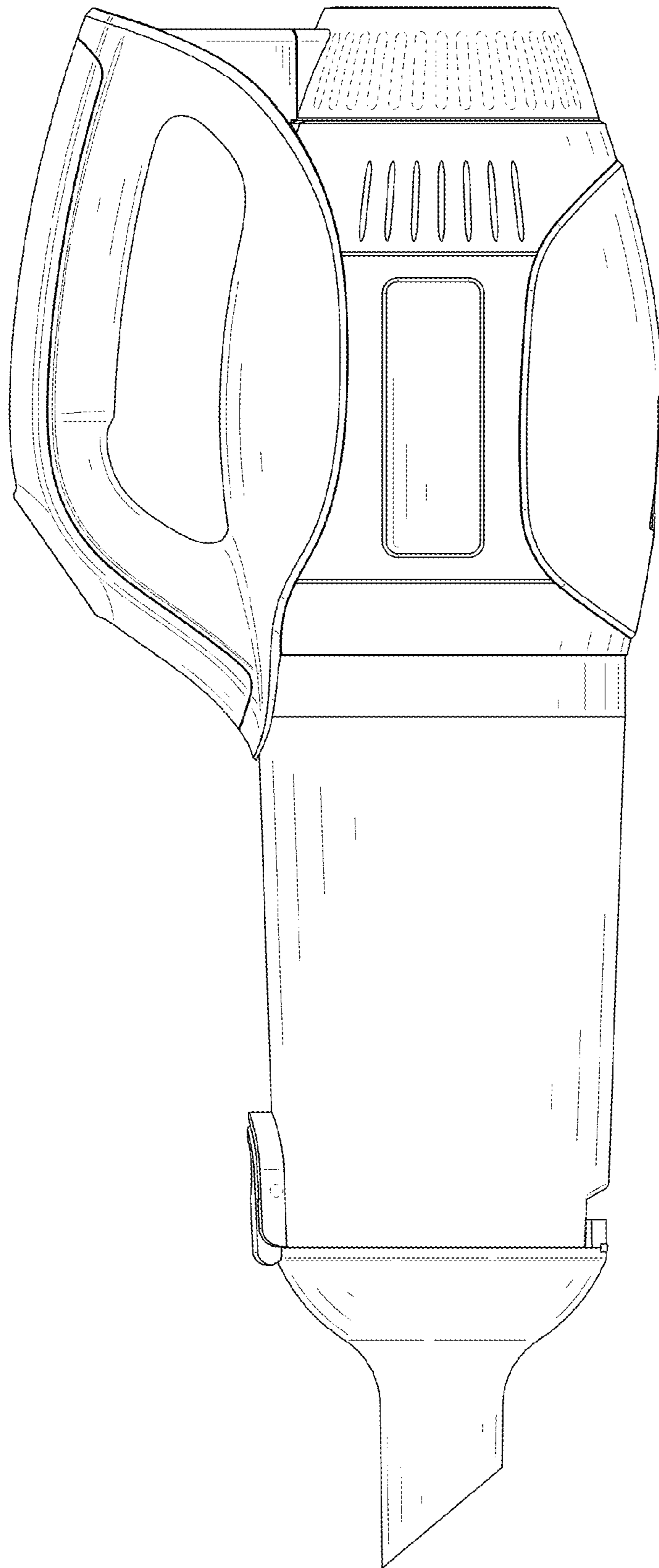


FIG. 6

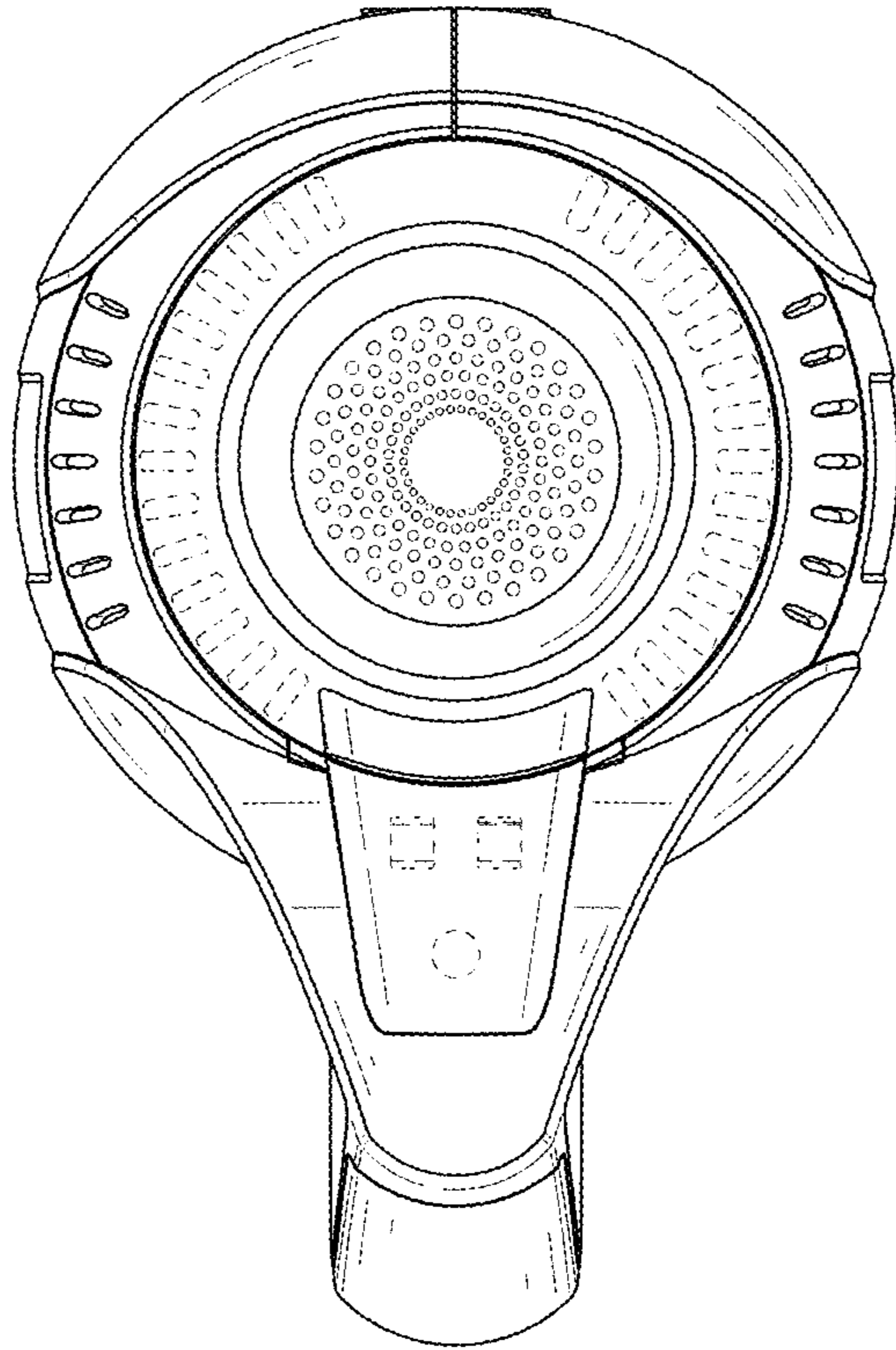


FIG. 7

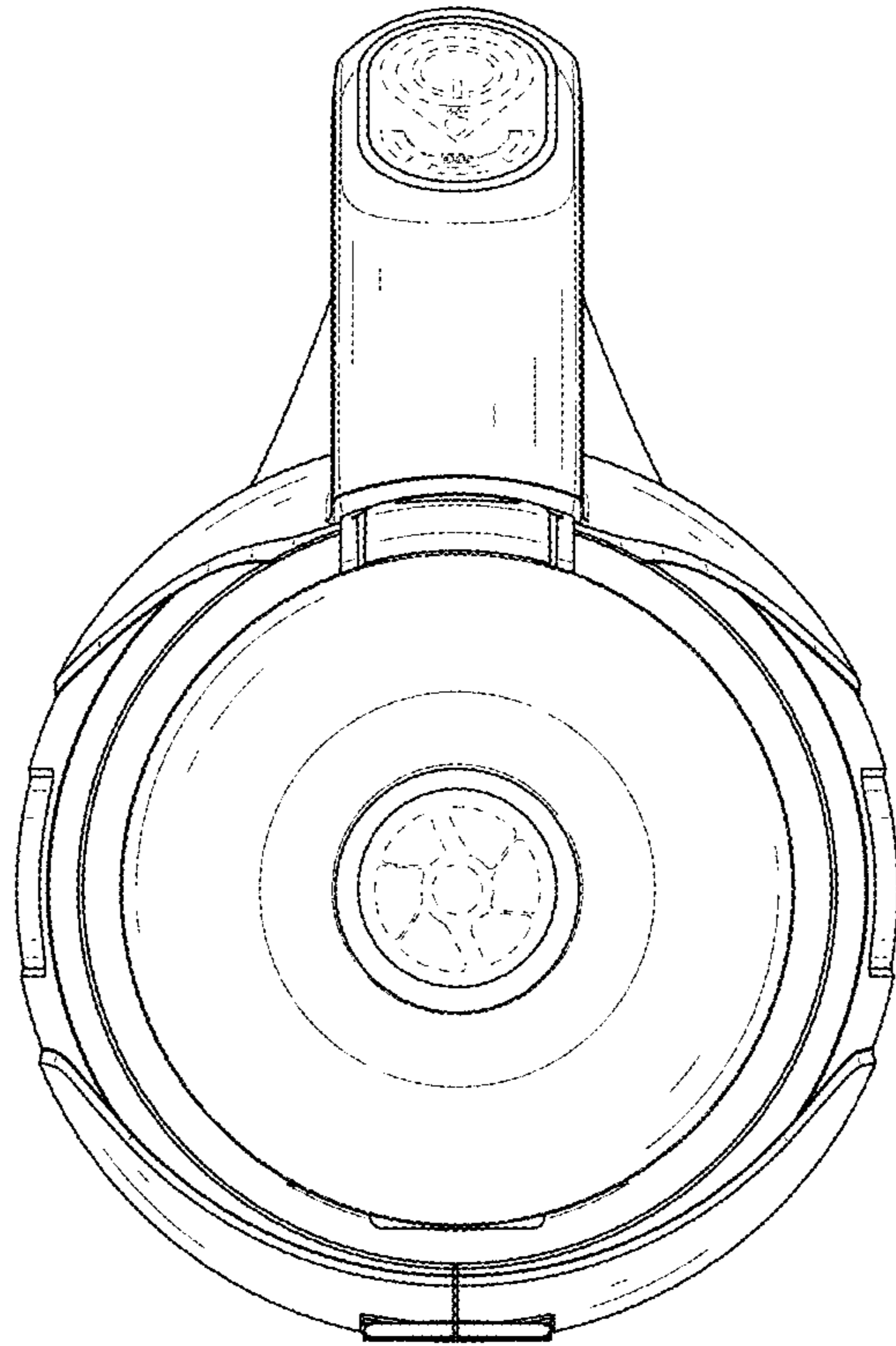


FIG. 8

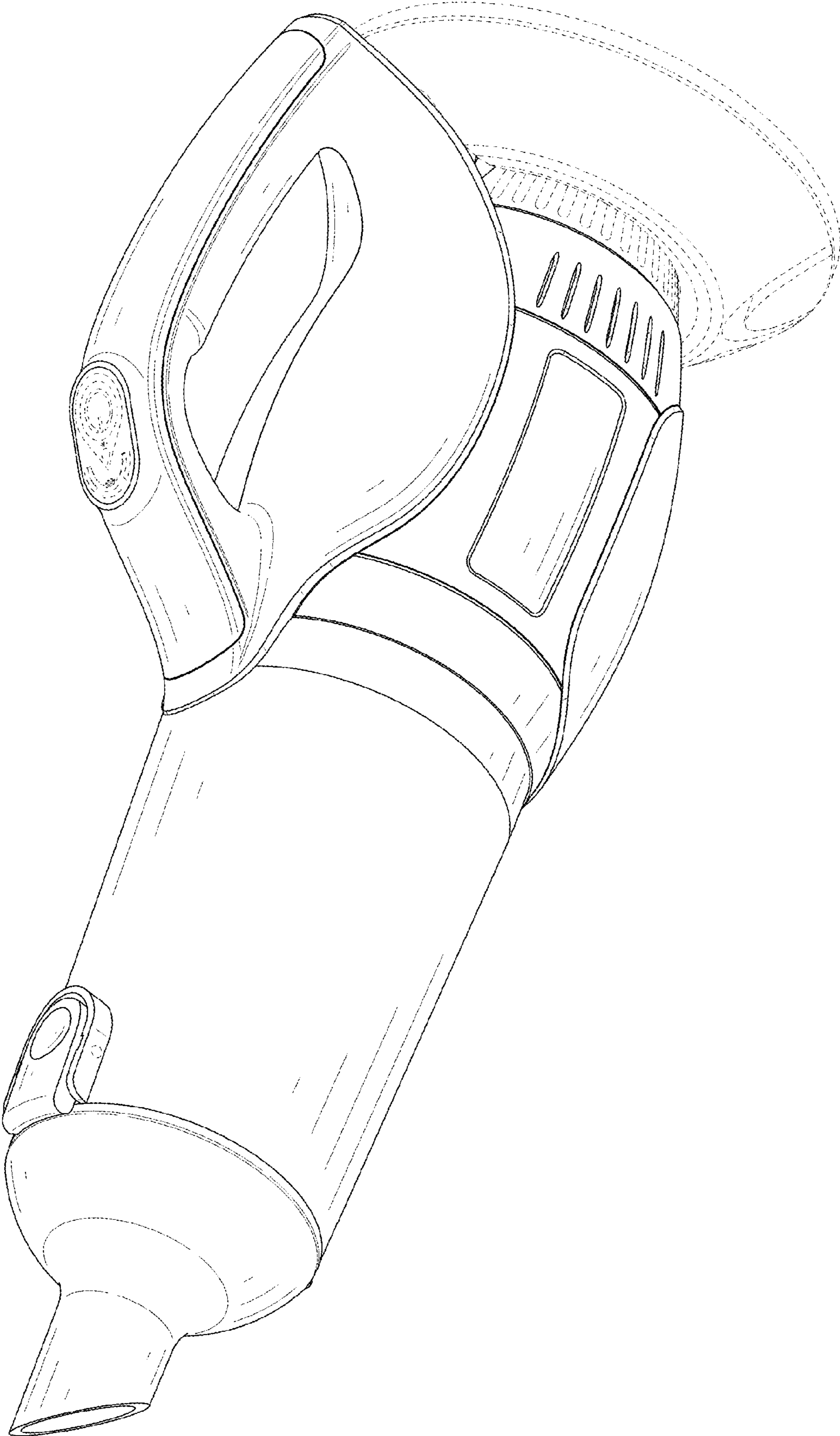


FIG. 9