



US00D918500S

(12) **United States Design Patent** (10) **Patent No.:** **US D918,500 S**
DeBartolo et al. (45) **Date of Patent:** **** May 4, 2021**

(54) **ARTICULATED DEBRIS BLOWER**

(71) Applicants: **Daniel S. DeBartolo**, New Rochelle, NY (US); **Frank S. DeBartolo**, New Rochelle, NY (US)

(72) Inventors: **Daniel S. DeBartolo**, New Rochelle, NY (US); **Frank S. DeBartolo**, New Rochelle, NY (US)

(**) Term: **15 Years**

(21) Appl. No.: **29/748,429**

(22) Filed: **Aug. 28, 2020**

(51) **LOC (13) Cl.** **15-05**

(52) **U.S. Cl.**
USPC **D32/15**

(58) **Field of Classification Search**
USPC D32/1, 15-19, 21, 25; D15/11, 12, 5, 17;
D23/213, 383
CPC ... A47L 5/14; A47L 9/32; A01G 1/125; F04B
17/00; F04B 35/04
See application file for complete search history.

(56) **References Cited**

U.S. PATENT DOCUMENTS

5,707,017 A * 1/1998 Paolucci A01G 3/002
241/55
D879,393 S 3/2020 DeBartolo et al.
2002/0113152 A1 * 8/2002 Dunning A47L 9/1608
241/55
2003/0127546 A1 * 7/2003 Eavenson, Sr. A01G 20/47
239/594
2011/0278088 A1 * 11/2011 Wehl B62D 1/02
180/400
2012/0246865 A1 * 10/2012 Lauer A01D 42/06
15/405
2014/0325853 A1 * 11/2014 Lawlor B23D 59/006
30/374

2015/0190021 A1 * 7/2015 Barkow E01H 1/0809
15/405
2015/0196179 A1 * 7/2015 Kinkead A01G 20/43
15/405
2016/0120131 A1 * 5/2016 Conrad F04D 17/16
15/319
2016/0251003 A1 * 9/2016 Wehl B60T 7/12
701/70
2018/0054965 A1 * 3/2018 Fullerton F16L 21/002
2018/0249629 A1 * 9/2018 Wehl A01D 34/71
2018/0327987 A1 * 11/2018 Olson E01H 1/0809
2019/0008090 A1 * 1/2019 Dretzka A01D 75/008
2019/0280647 A1 * 9/2019 Novotny H02S 40/10

* cited by examiner

Primary Examiner — Michelle E. Wilson

(74) *Attorney, Agent, or Firm* — Joseph M. Fowler

(57) **CLAIM**

We claim the ornamental design for an articulated debris blower, as shown.

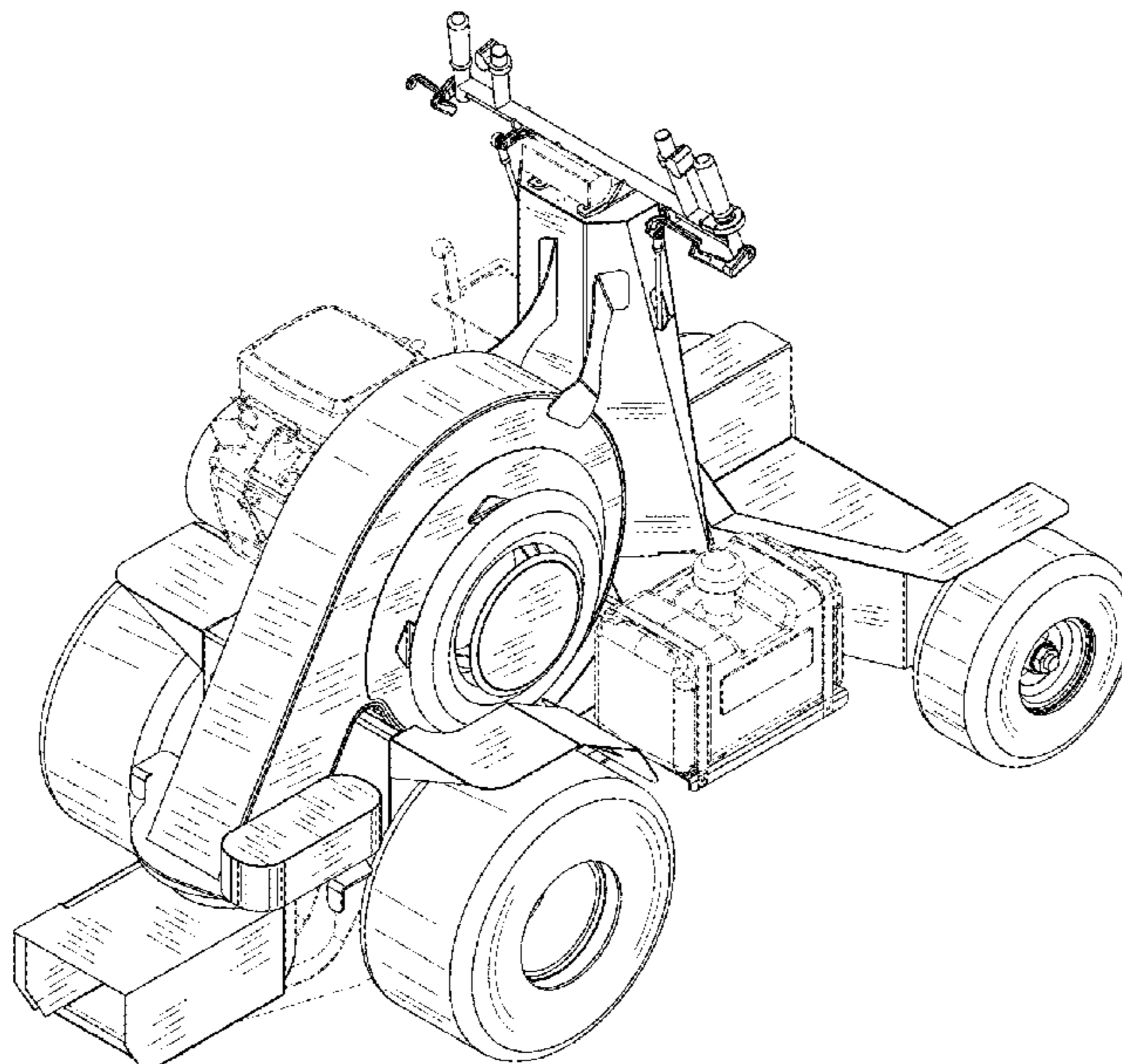
DESCRIPTION

FIG. 1 is a left side, front perspective view of an articulated debris blower showing the new design;
 FIG. 2 is a left side view thereof;
 FIG. 3 is a left side, rear perspective thereof;
 FIG. 4 is a right side, rear perspective thereof;
 FIG. 5 is a right side view thereof;
 FIG. 6 is a right side, front perspective view thereof;
 FIG. 7 is a front view thereof;
 FIG. 8 is a rear view thereof; and,
 FIG. 9 is a right side, perspective view showing pivoted articulation of the debris blower and articulation of the debris blower nozzle.

The ornamental design which is claimed is shown in solid lines in the drawings.

Any broken lines in the drawings are for illustrative purposes only and form no part of the claimed design.

1 Claim, 9 Drawing Sheets



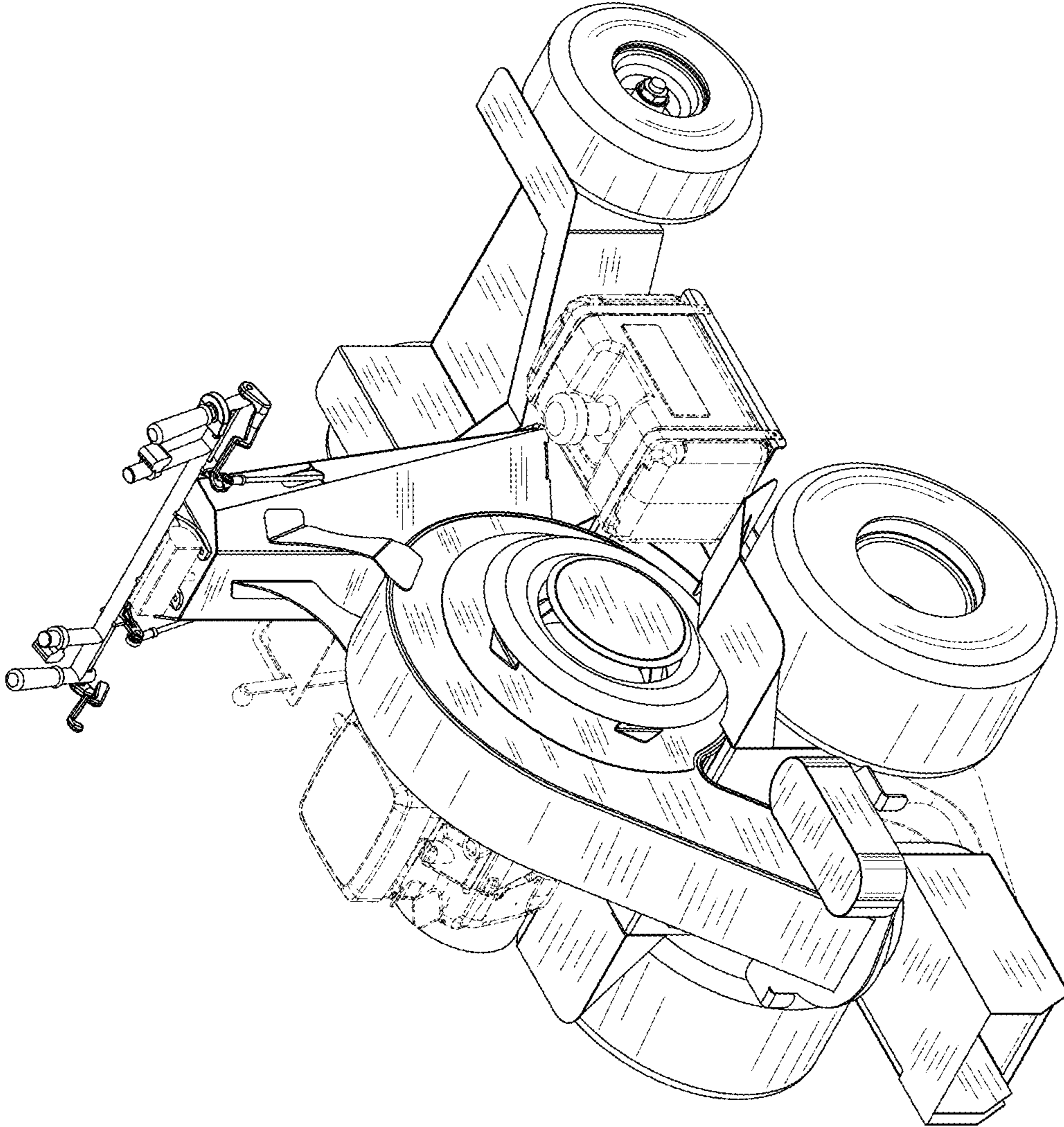


FIG. 1

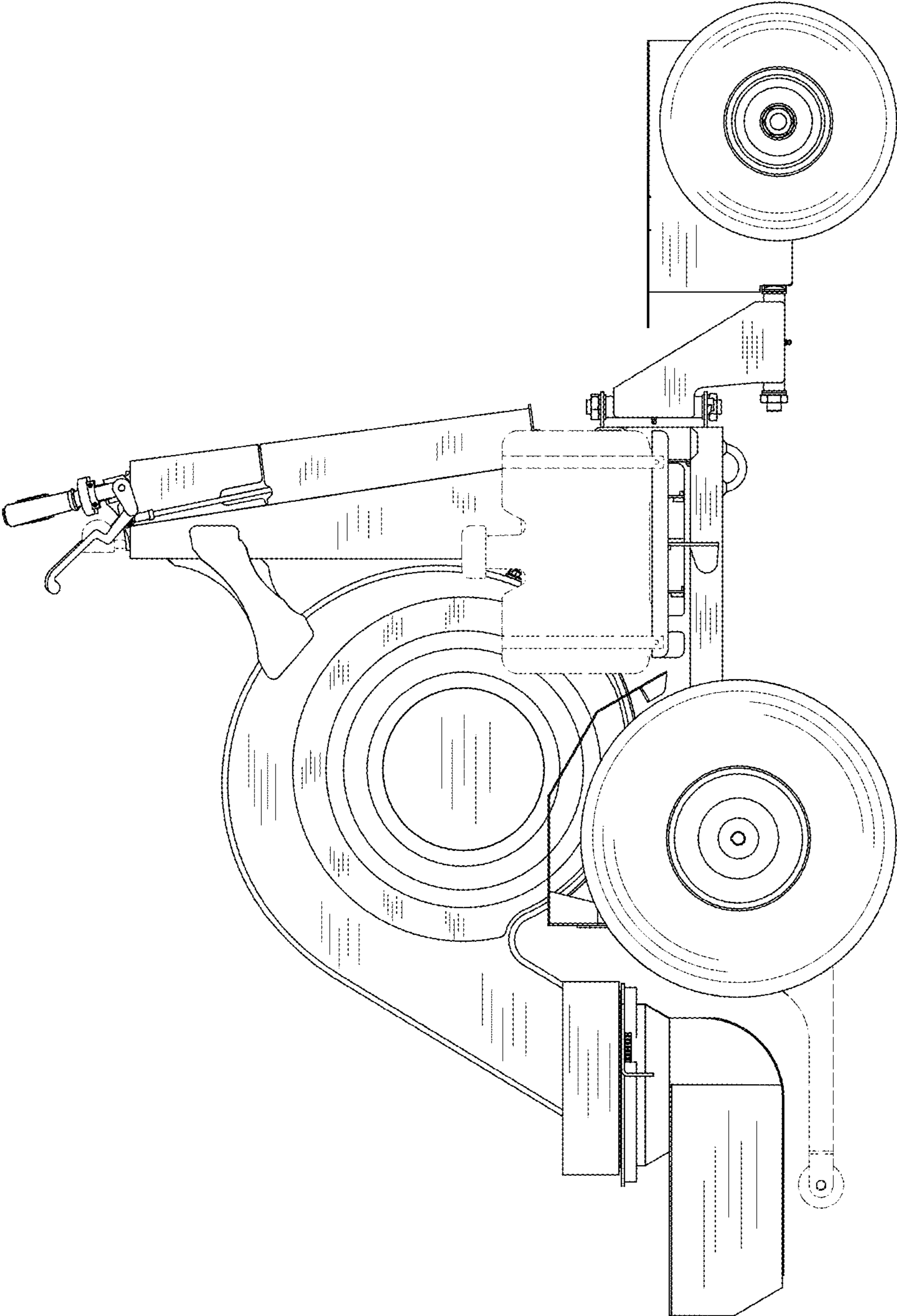


FIG. 2

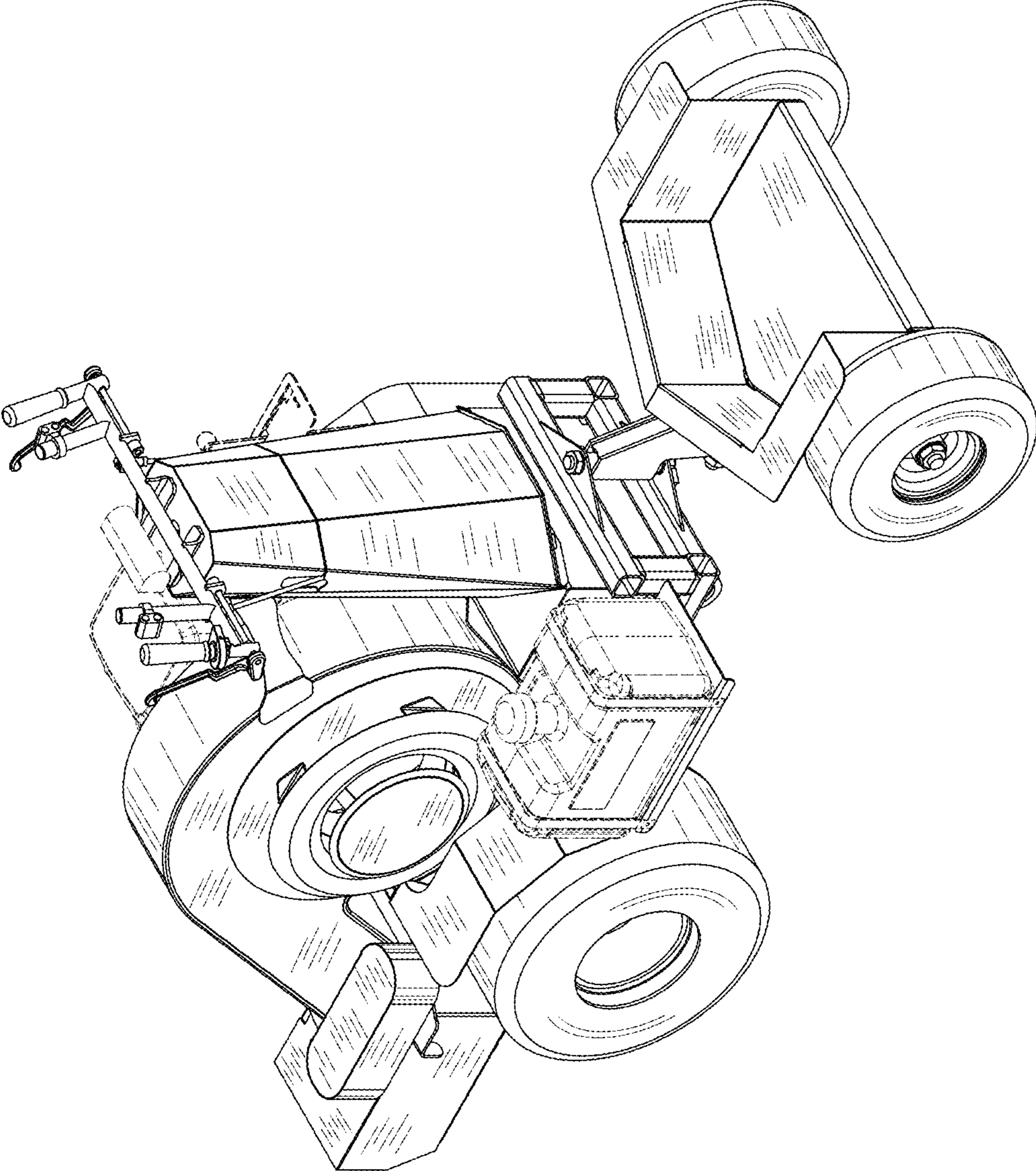


FIG. 3

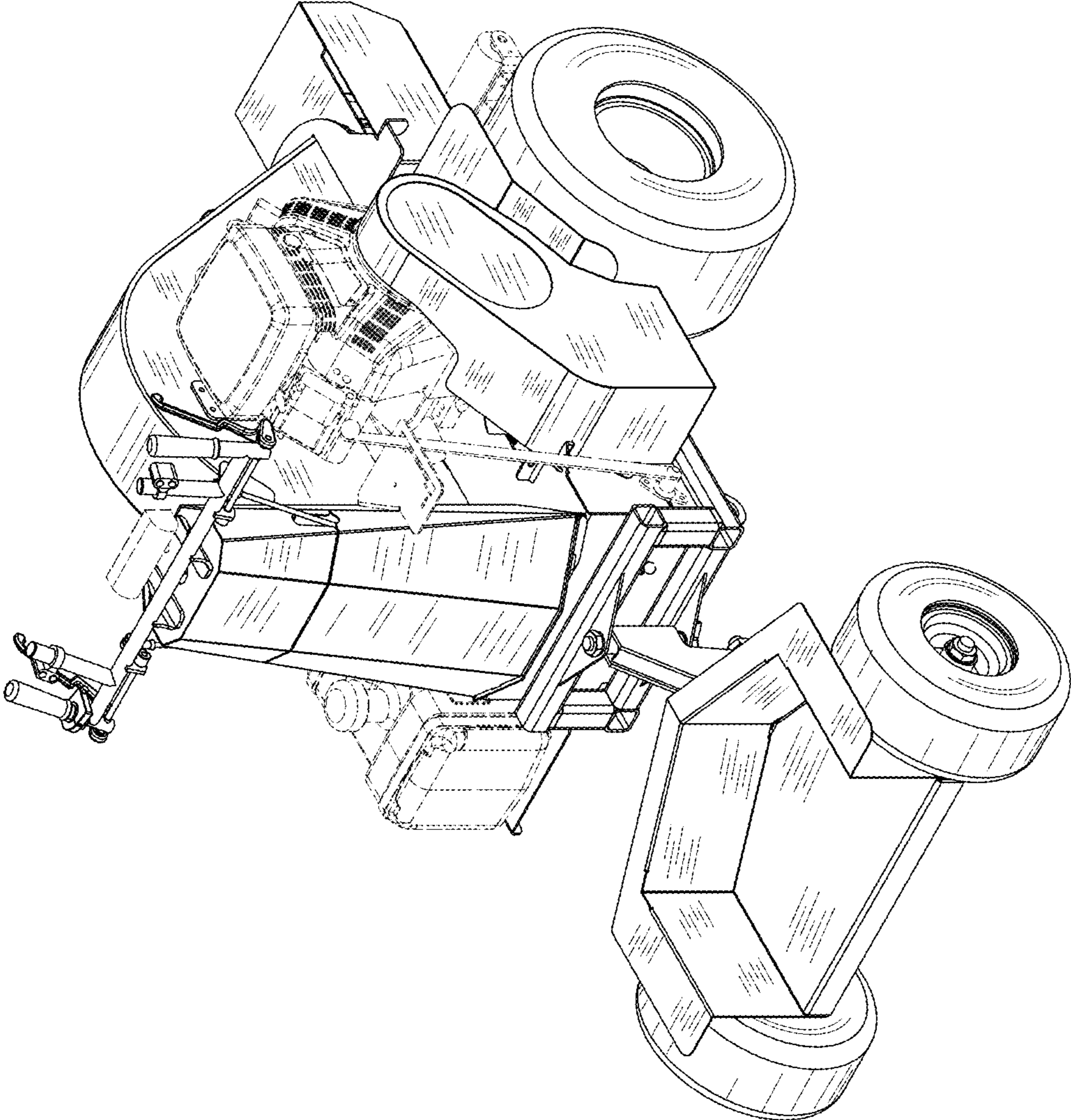


FIG. 4

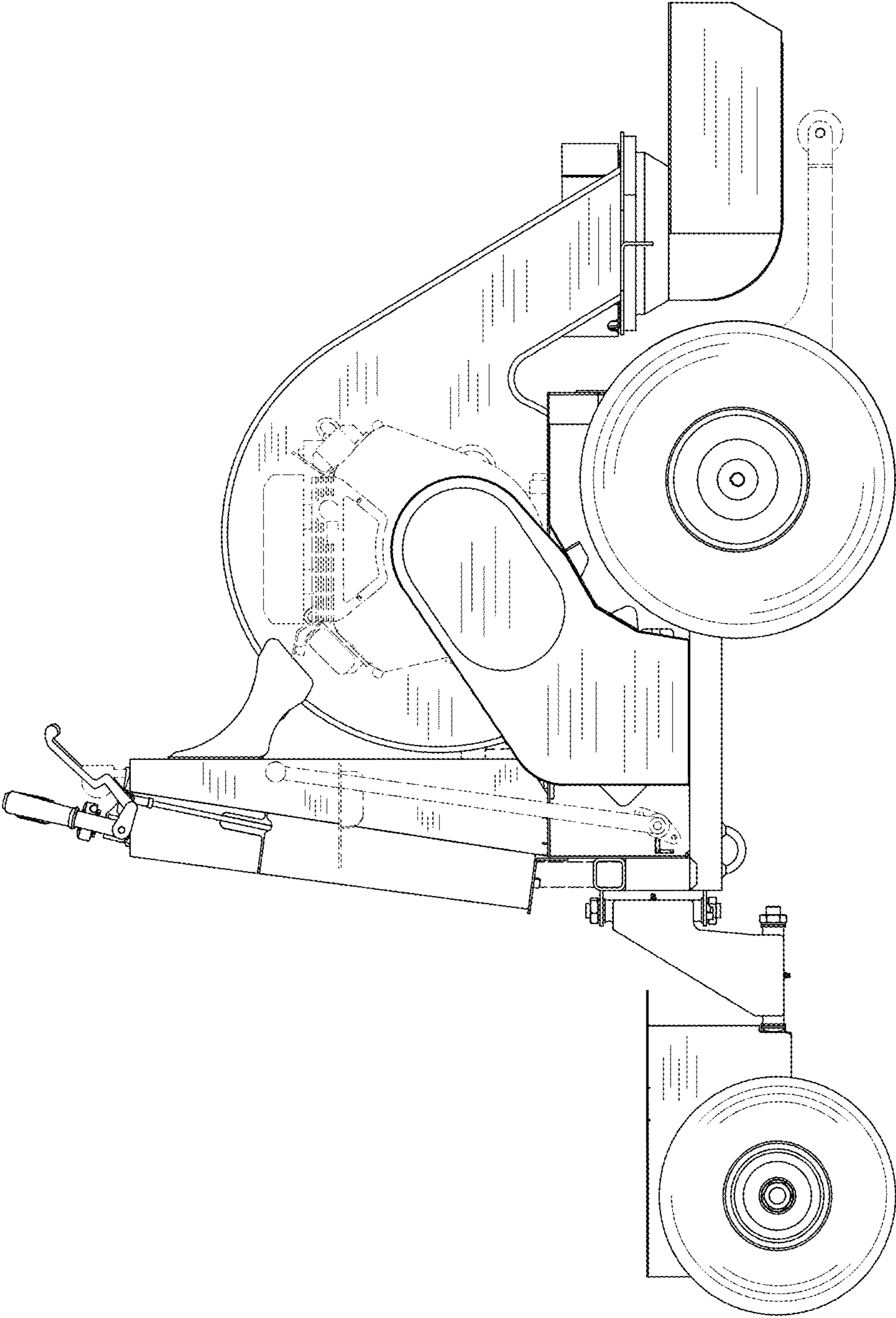


FIG. 5

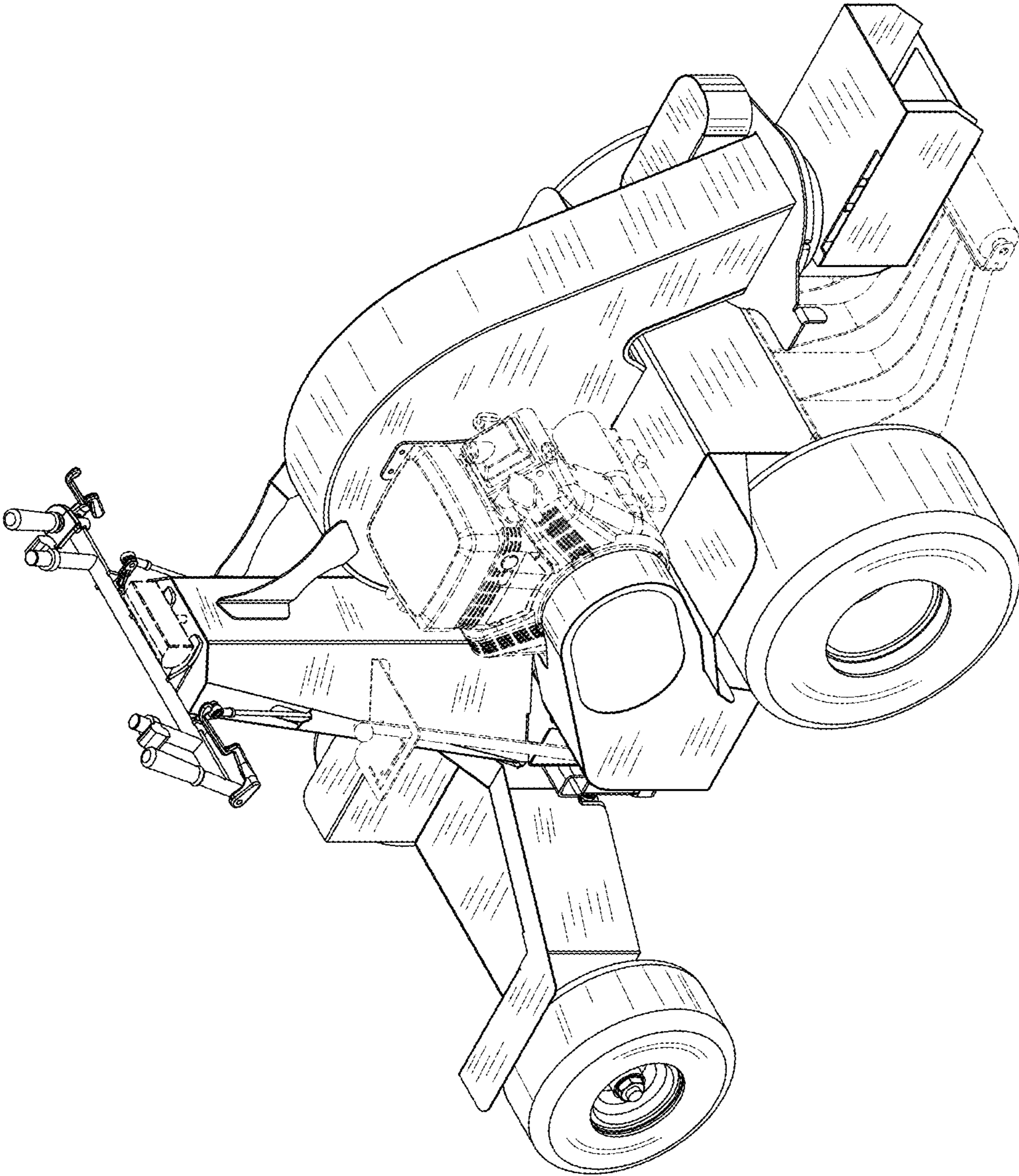


FIG. 6

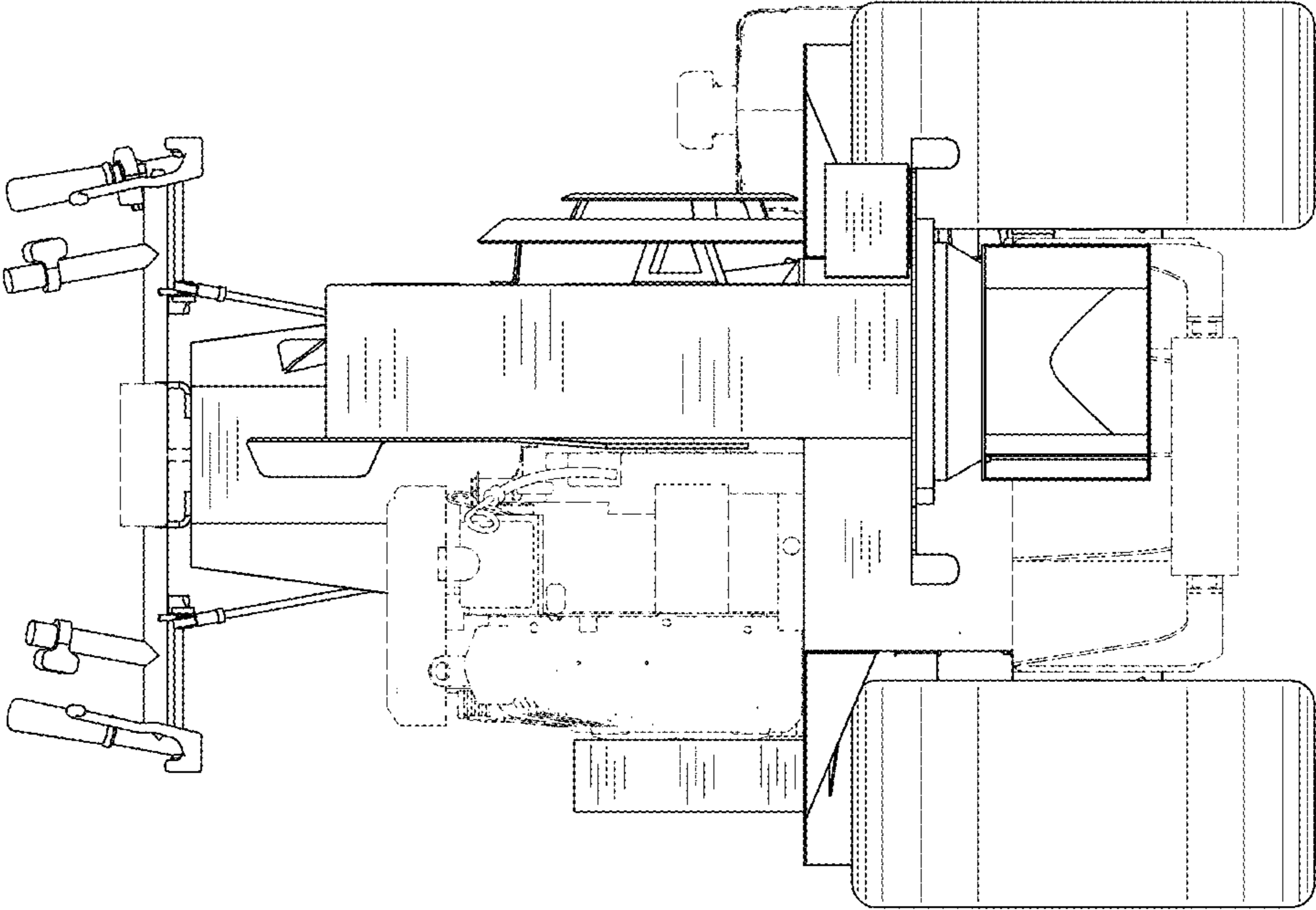


FIG. 7

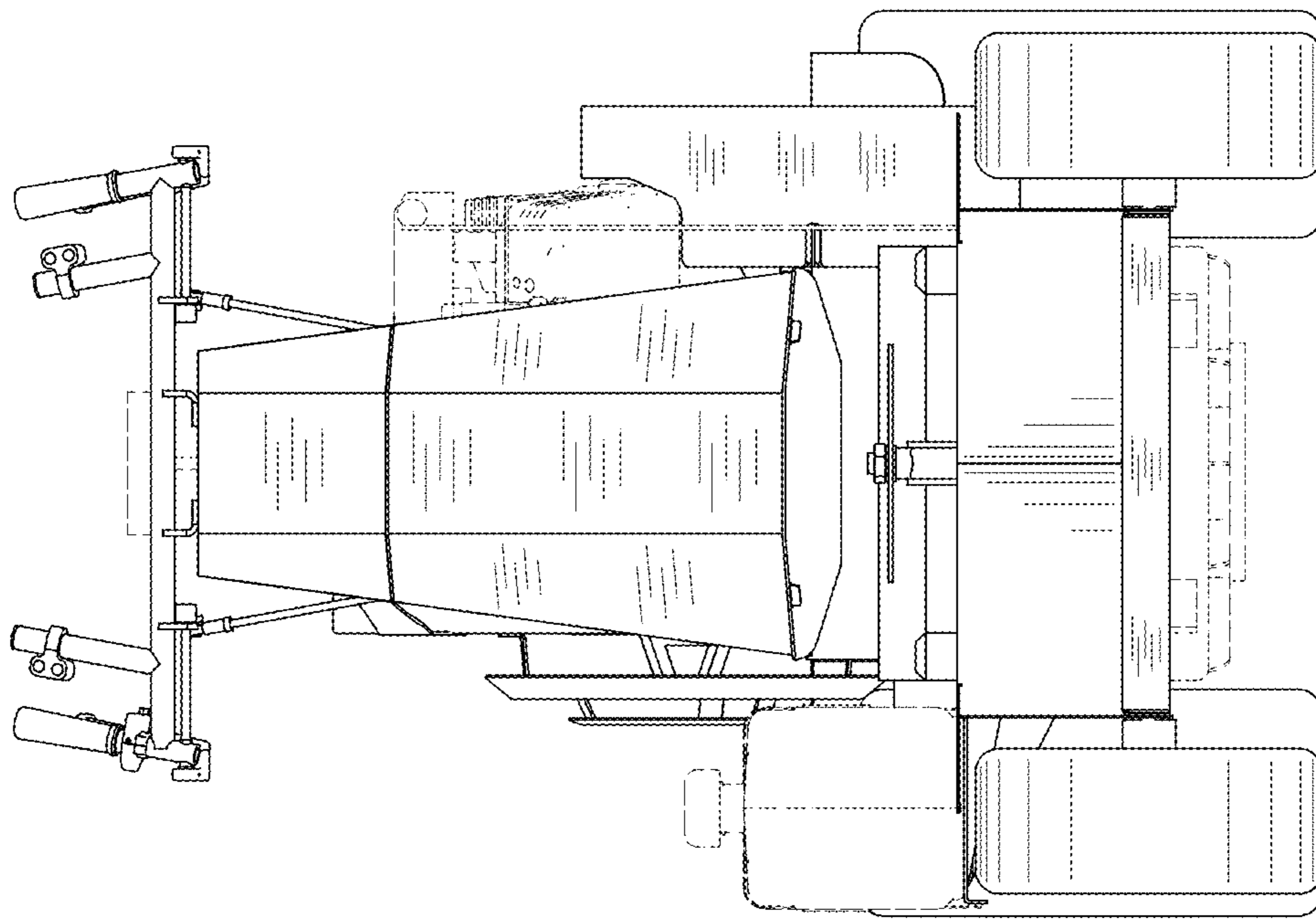


FIG. 8

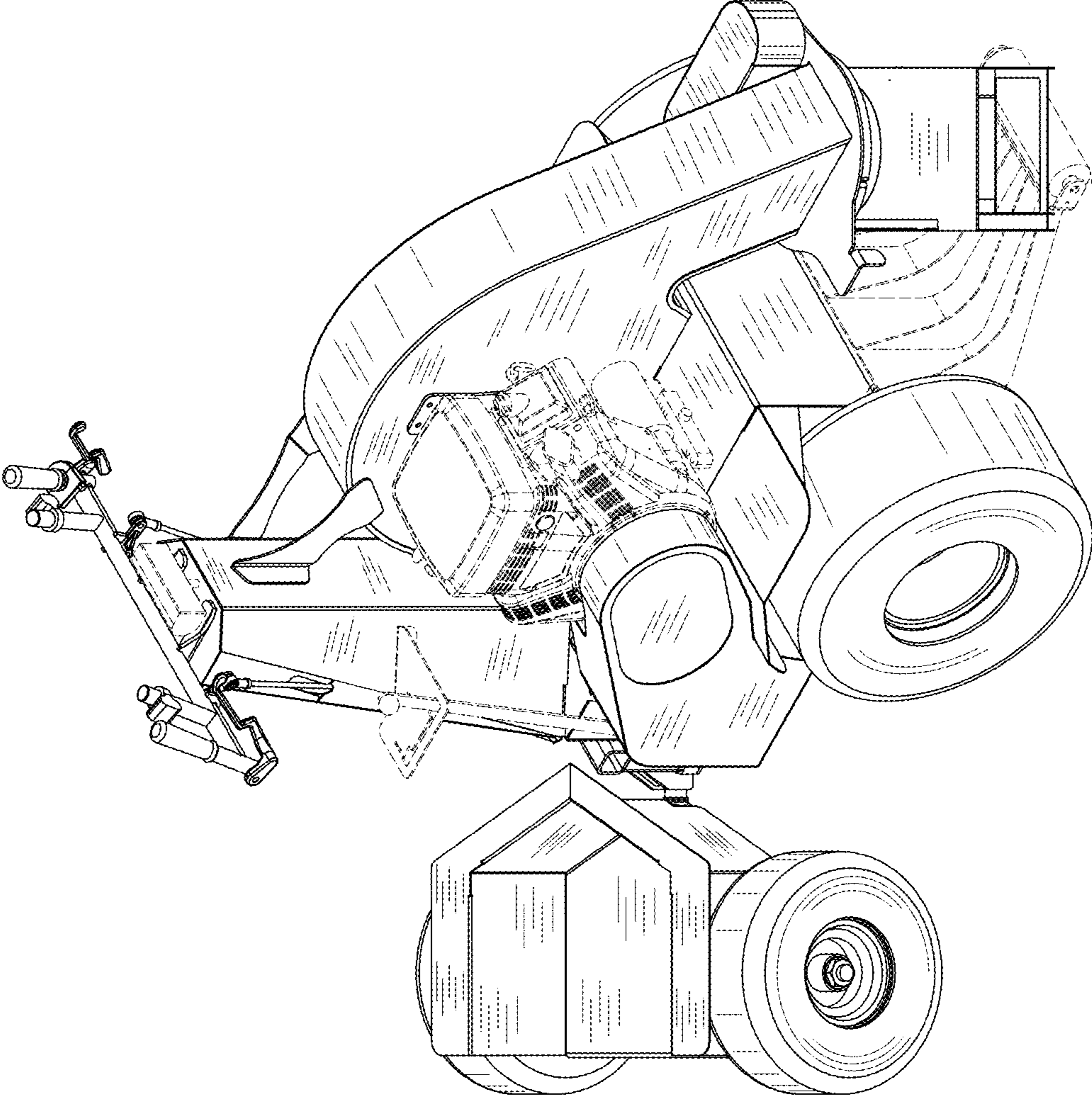


FIG. 9