



US00D918499S

(12) **United States Design Patent** (10) **Patent No.:** **US D918,499 S**
Xu (45) **Date of Patent:** **** May 4, 2021**

(54) **PRESSURE WASHER**
(71) Applicant: **Ningbo Yinzhou Jiasheng Pump Electric Machinery Factory, Ningbo (CN)**
(72) Inventor: **Rong-Ding Xu, Ningbo (CN)**
(73) Assignee: **Ningbo Yinzhou Jiasheng Pump Electric Machinery Factory, Ningbo (CN)**

D647,257 S * 10/2011 Alexander D32/15
D647,258 S * 10/2011 Alexander D32/15
D647,672 S * 10/2011 Alexander D32/15
D648,493 S * 11/2011 Alexander D32/15
D660,525 S * 5/2012 Alexander D32/15
D696,824 S * 12/2013 Dammkoehler D32/15
D739,100 S * 9/2015 Tatic D32/16
D841,906 S * 2/2019 Weinberg D32/16
2005/0189437 A1 * 9/2005 Alexander B08B 3/026
239/332
2009/0008589 A1 * 1/2009 Smith B05B 9/04
251/213

(**) Term: **15 Years**
(21) Appl. No.: **29/678,642**
(22) Filed: **Jan. 30, 2019**
(51) **LOC (13) Cl.** **15-05**
(52) **U.S. Cl.**
USPC **D32/15**
(58) **Field of Classification Search**
USPC D32/15-16
CPC B05B 9/04; B05B 7/24
See application file for complete search history.

FOREIGN PATENT DOCUMENTS

EM 003855378-0008 * 5/2019
WO WO D096062-003 * 5/2019

* cited by examiner

Primary Examiner — John R Yeh
(74) *Attorney, Agent, or Firm* — ScienBiziP, P.C.

(57) **CLAIM**

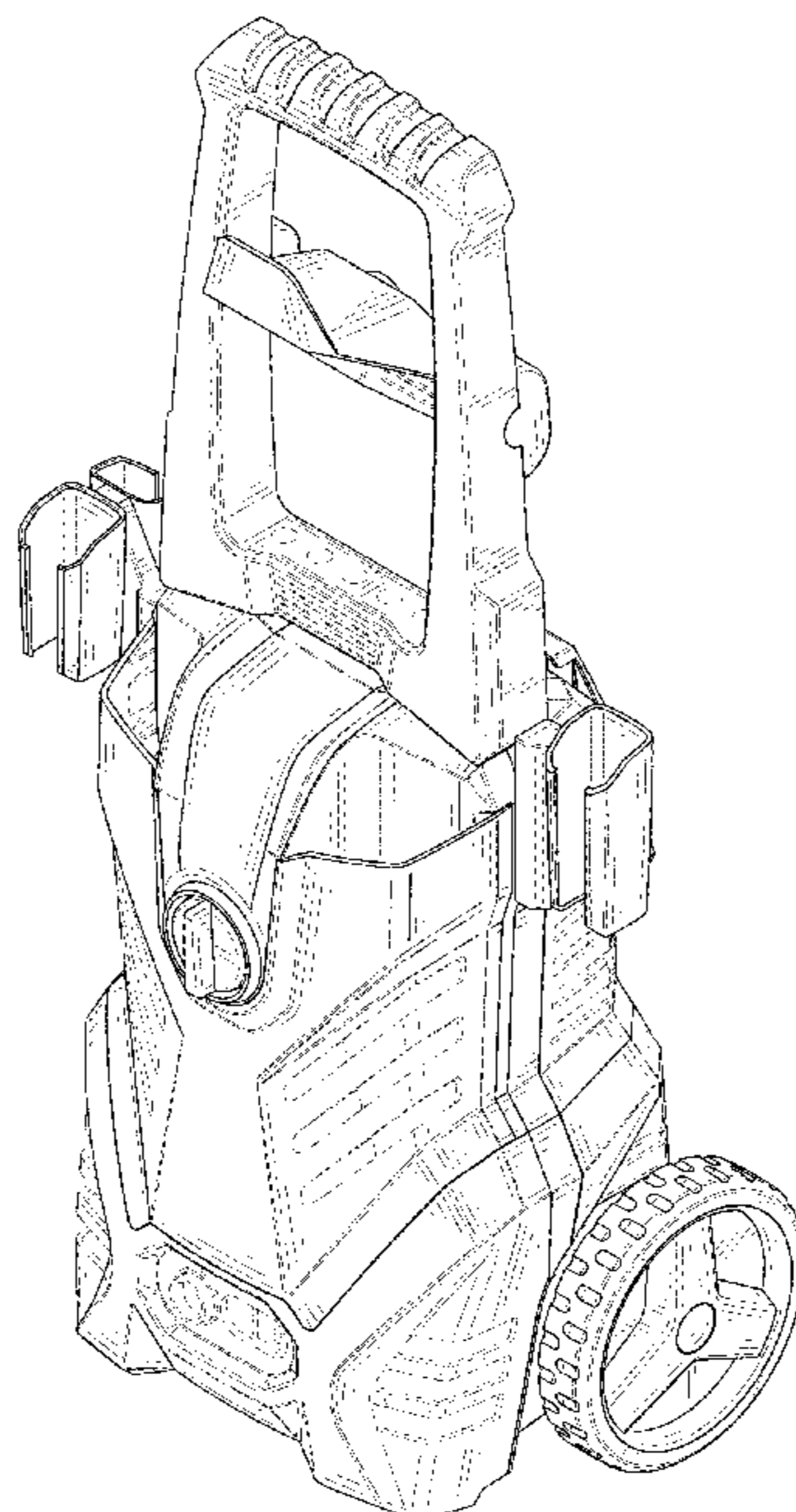
The ornamental design for a pressure washer, as shown and described.

DESCRIPTION

FIG. 1 is a front, top, right side perspective view of my design for a pressure washer;
FIG. 2 is a rear, bottom, left side perspective view thereof;
FIG. 3 is a front elevation view thereof;
FIG. 4 is a rear elevation view thereof.
FIG. 5 is a left side elevation view thereof;
FIG. 6 is a right side elevation view thereof;
FIG. 7 is a top plan view thereof; and,
FIG. 8 is a bottom plan view thereof.
The broken lines depict portions of the pressure washer that form no part of the claimed design.

(56) **References Cited**
U.S. PATENT DOCUMENTS
D488,596 S * 4/2004 Cattaneo D32/15
D489,497 S * 5/2004 Cattaneo D32/15
D489,498 S * 5/2004 Cattaneo D32/15
D490,948 S * 6/2004 Cattaneo D32/15
D521,694 S * 5/2006 Ricker D32/15
D551,813 S * 9/2007 Renner D32/15
D551,814 S * 9/2007 Renner D32/15
D556,959 S * 12/2007 Li D32/15
D563,612 S * 3/2008 Li D32/15
D564,146 S * 3/2008 Li D32/15
D564,147 S * 3/2008 Li D32/15
D630,390 S * 1/2011 Meyer D32/15

1 Claim, 8 Drawing Sheets



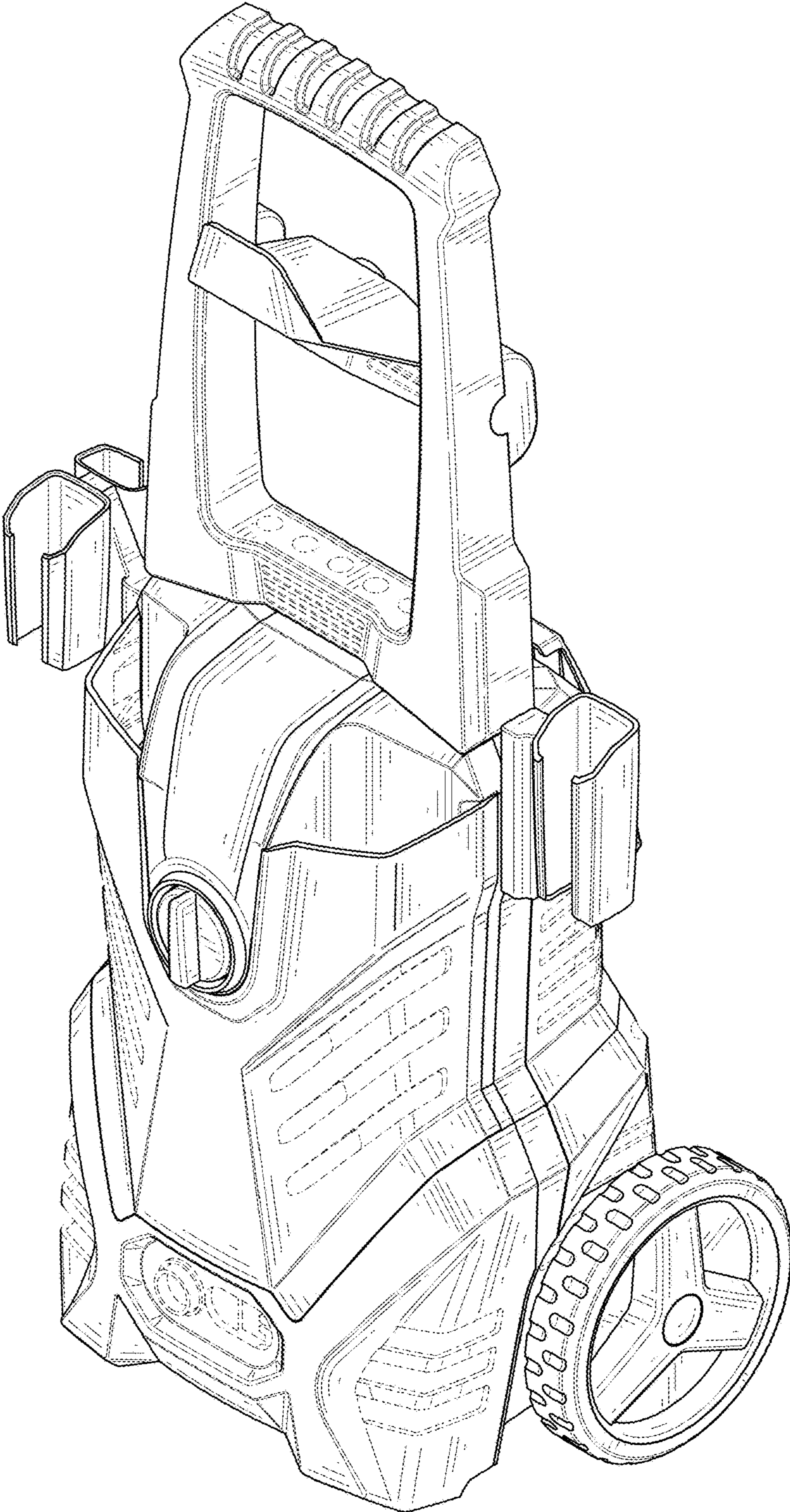


FIG. 1

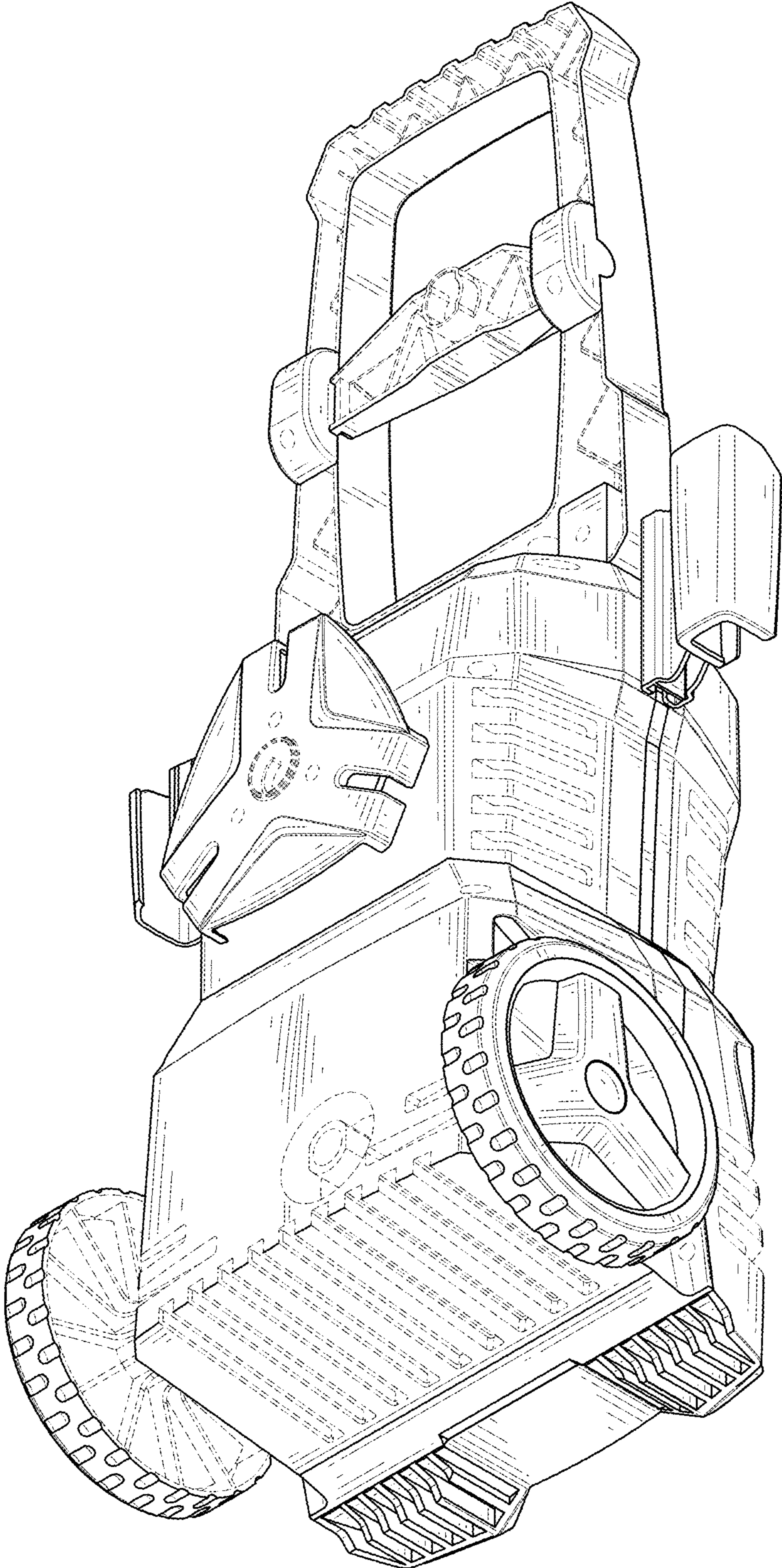


FIG. 2

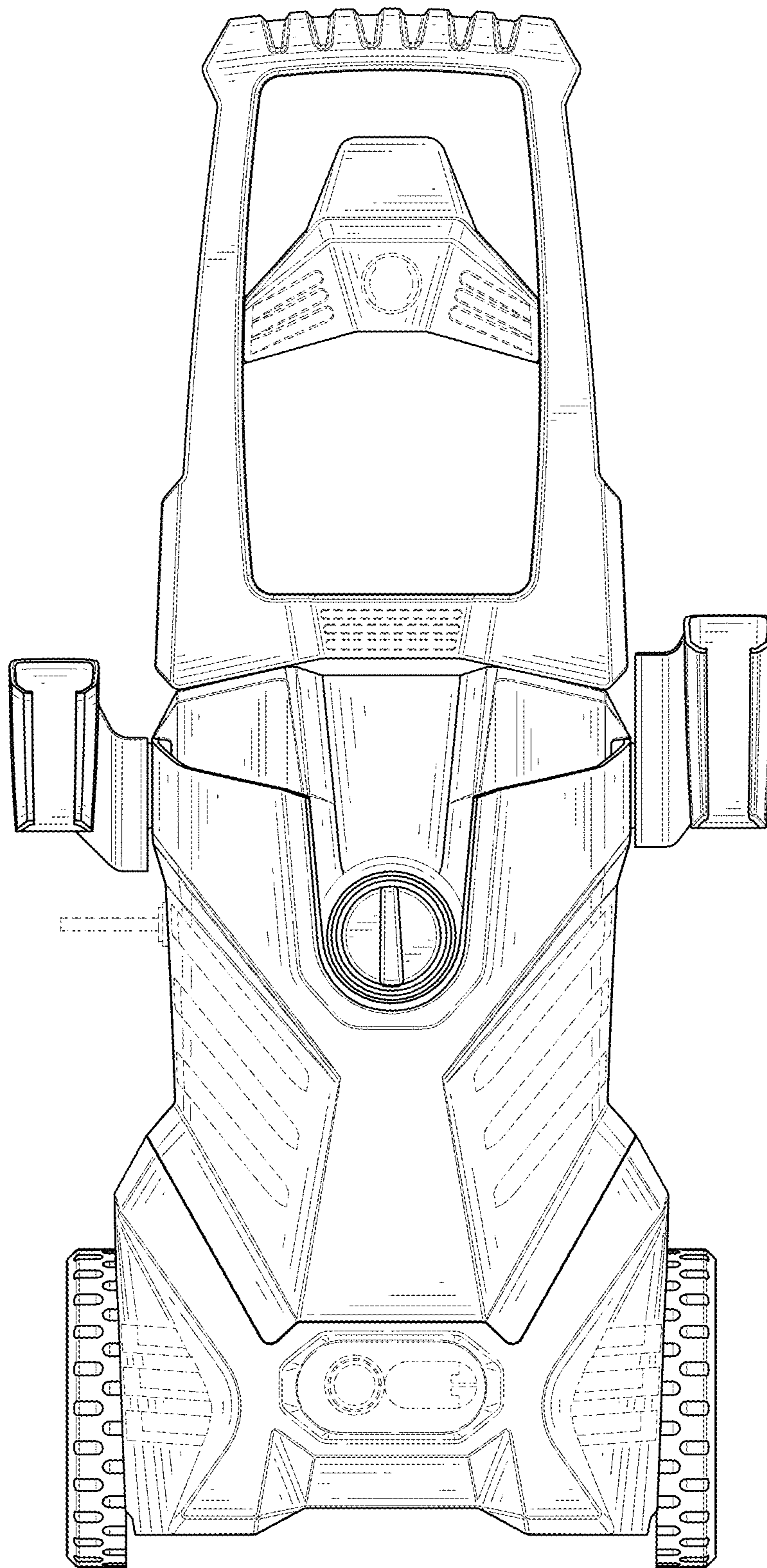


FIG. 3

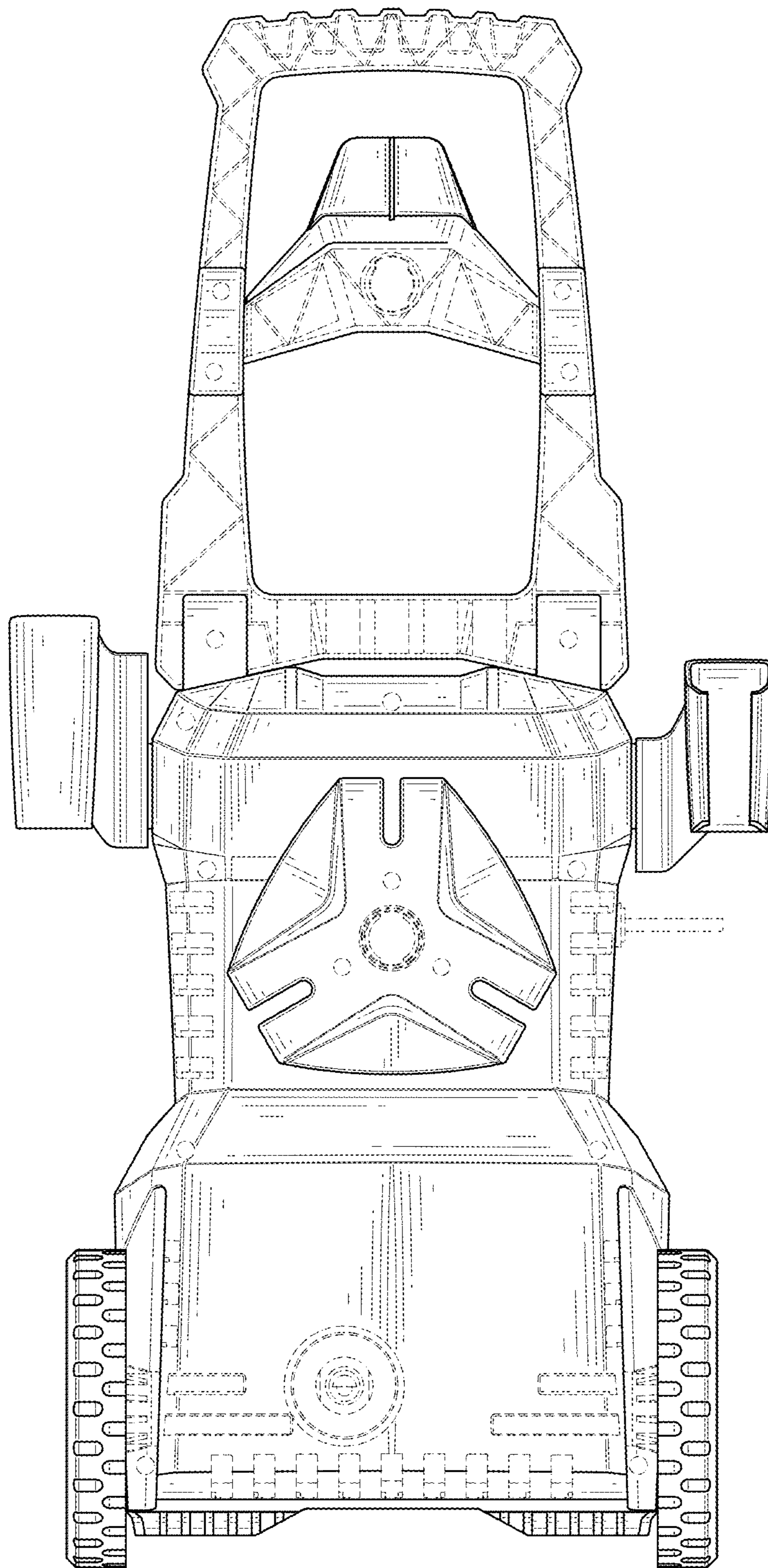


FIG. 4

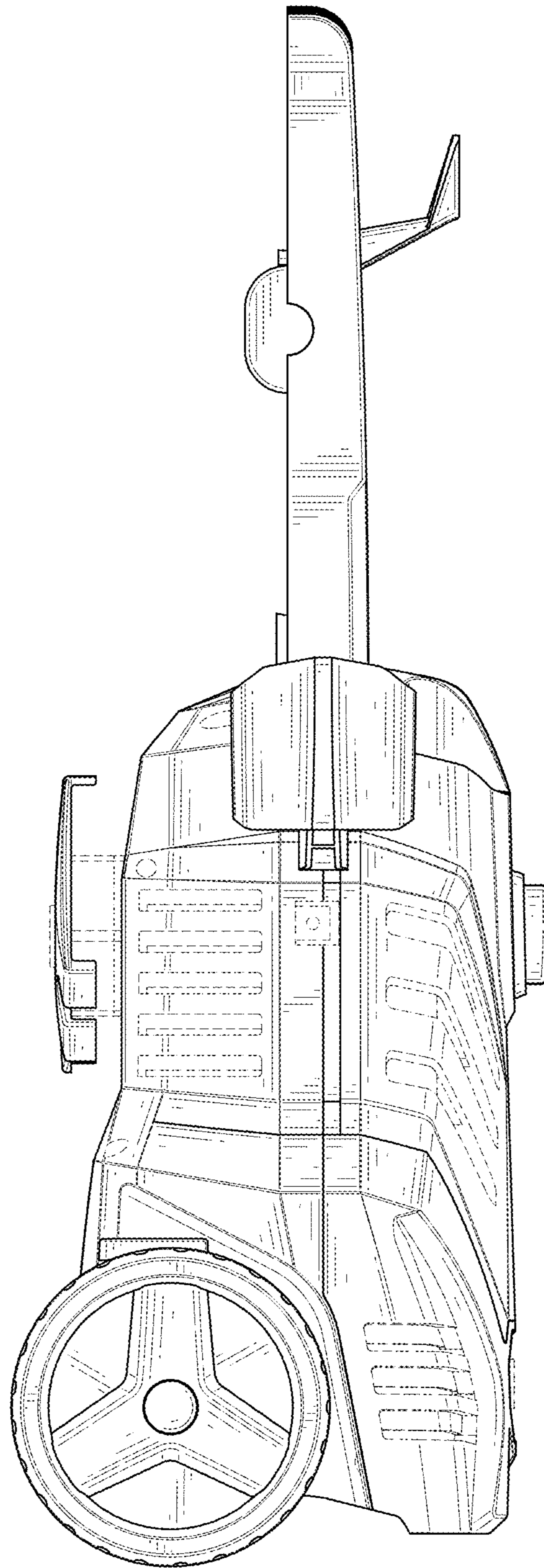


FIG. 5

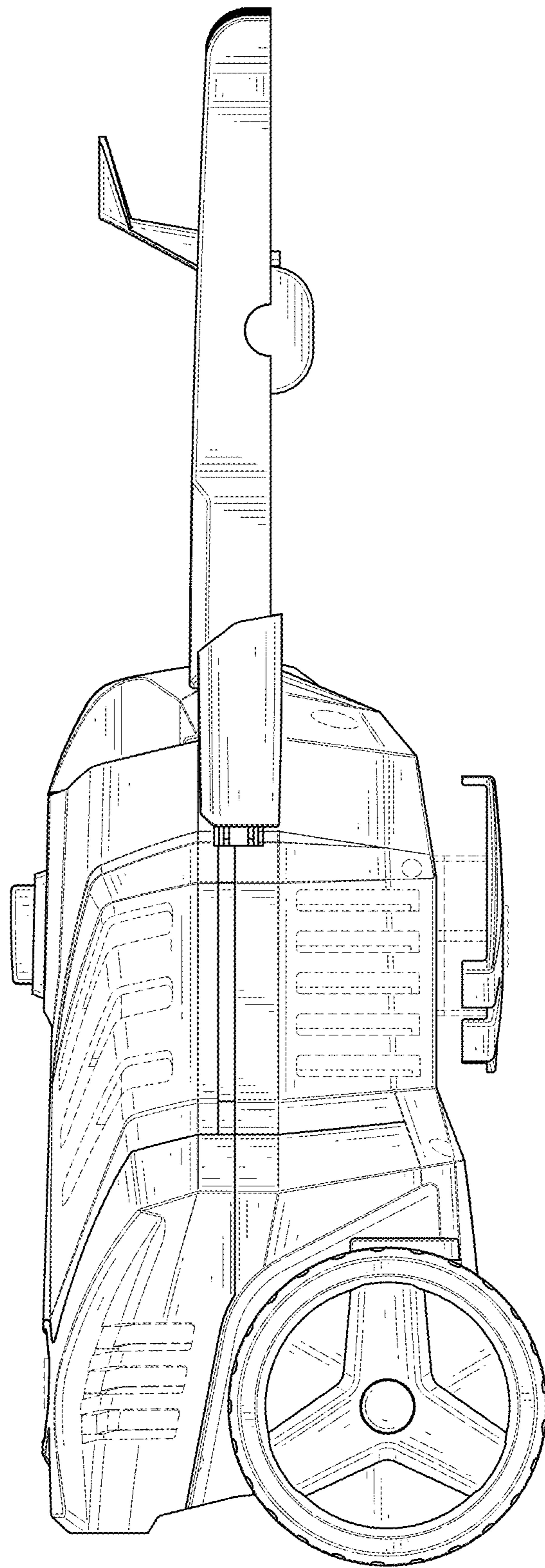


FIG. 6

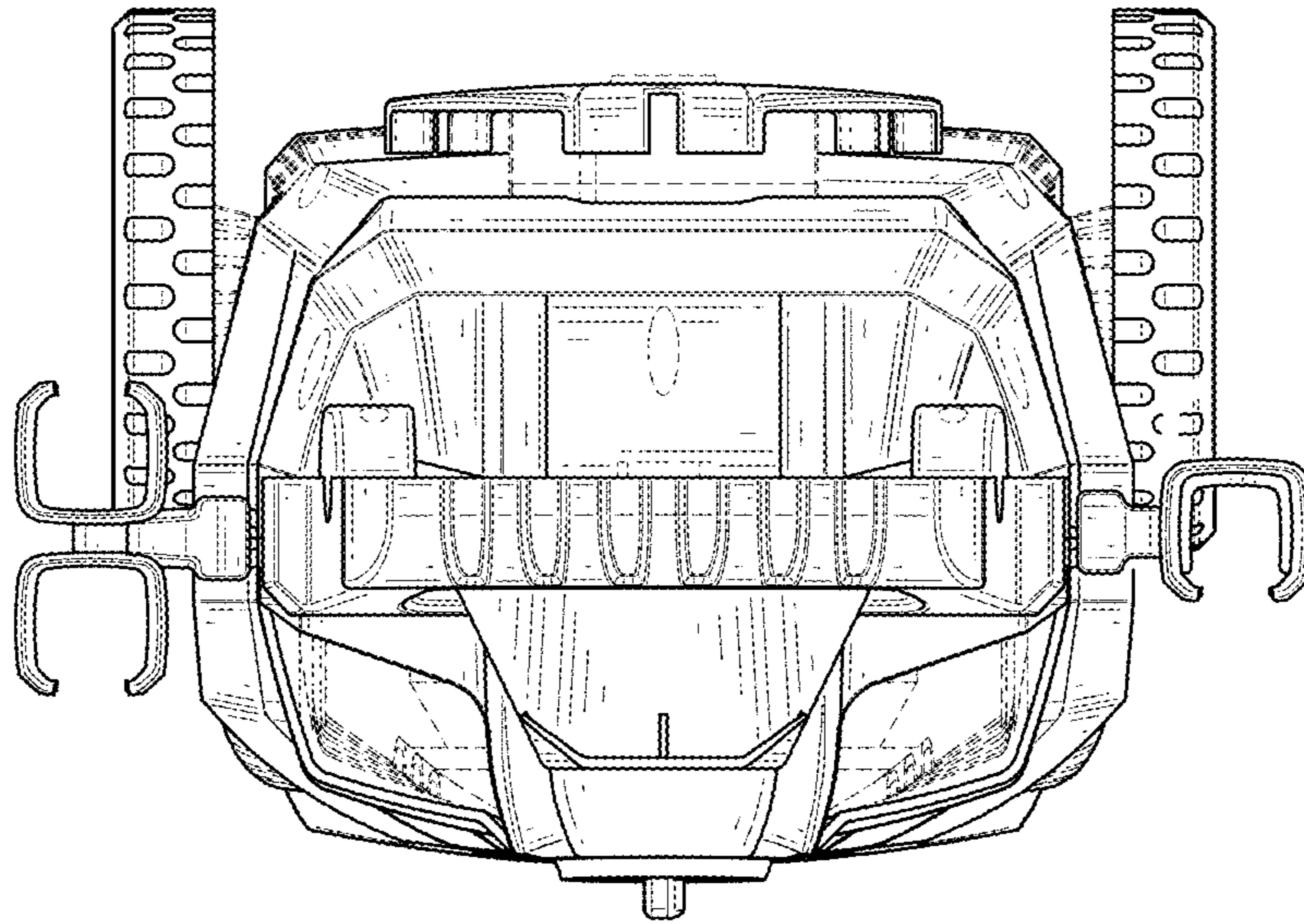


FIG. 7

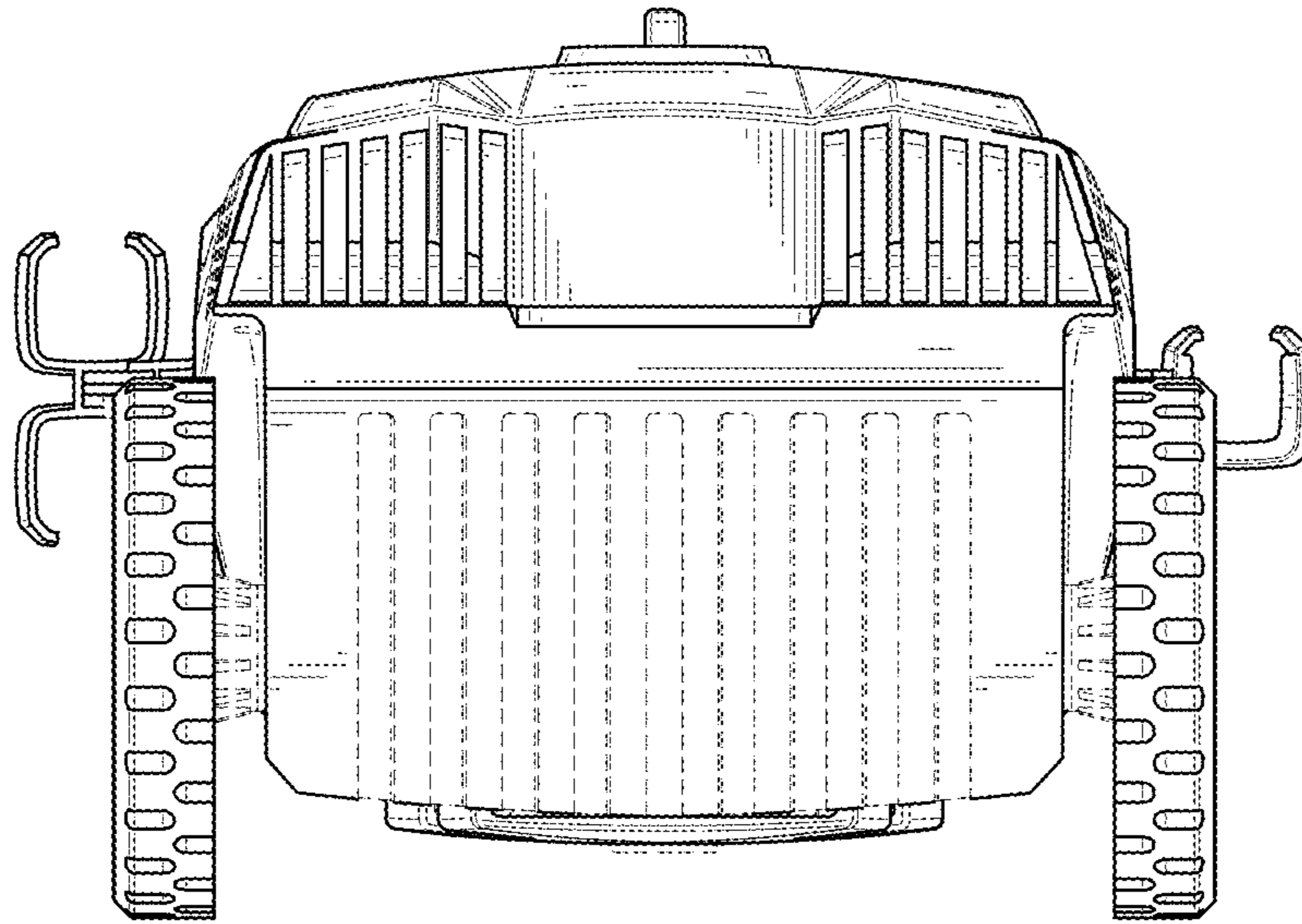


FIG. 8