



US00D918497S

(12) **United States Design Patent** (10) **Patent No.:** **US D918,497 S**
Seo et al. (45) **Date of Patent:** **** May 4, 2021**

(54) **CLOTHING CARING UNIT** 8,424,141 B2 * 4/2013 Yoo D06F 58/203
8/149.3
(71) Applicant: **COWAY CO., LTD.,** 8,484,868 B2 * 7/2013 Kim D06F 58/12
Choongcheongnam-do (KR) 38/14
8,505,340 B2 * 8/2013 Kim D06F 58/10
68/5 C
(72) Inventors: **Bo Seong Seo, Seoul (KR); Kyoung** D732,769 S * 6/2015 Chung D32/25
Hwa Maeng, Seoul (KR) D732,770 S * 6/2015 Choi D32/25
D732,771 S * 6/2015 Chung D32/25
D732,772 S * 6/2015 Chung D32/25
(73) Assignee: **COWAY CO., LTD.,**
Choongcheongnam-do (KR) (Continued)

(**) Term: **15 Years**
(21) Appl. No.: **29/648,990**
(22) Filed: **May 25, 2018**
(30) **Foreign Application Priority Data**

Nov. 28, 2017 (KR) 30-2017-0055988

(51) **LOC (13) Cl.** **15-05**
(52) **U.S. Cl.**
USPC **D32/6**
(58) **Field of Classification Search**
USPC D32/1-3, 5-6, 10, 25
CPC D06F 58/20; D06F 73/02; D06F 58/10;
D06F 58/12; D06F 58/203
See application file for complete search history.

(56) **References Cited**
U.S. PATENT DOCUMENTS

D197,085 S * 12/1963 Bequette D32/8
D532,563 S * 11/2006 Kim D32/6
D640,430 S * 6/2011 Jee D32/6
D643,165 S * 8/2011 Song D32/8
8,037,626 B2 * 10/2011 Moon D06F 58/10
38/14
D663,495 S * 7/2012 Song D32/8
8,215,133 B2 * 7/2012 Kim D06F 58/203
68/5 C

Primary Examiner — Michelle E. Wilson
(74) *Attorney, Agent, or Firm* — Millen, White, Zelano & Branigan, PC; Ryan Pool

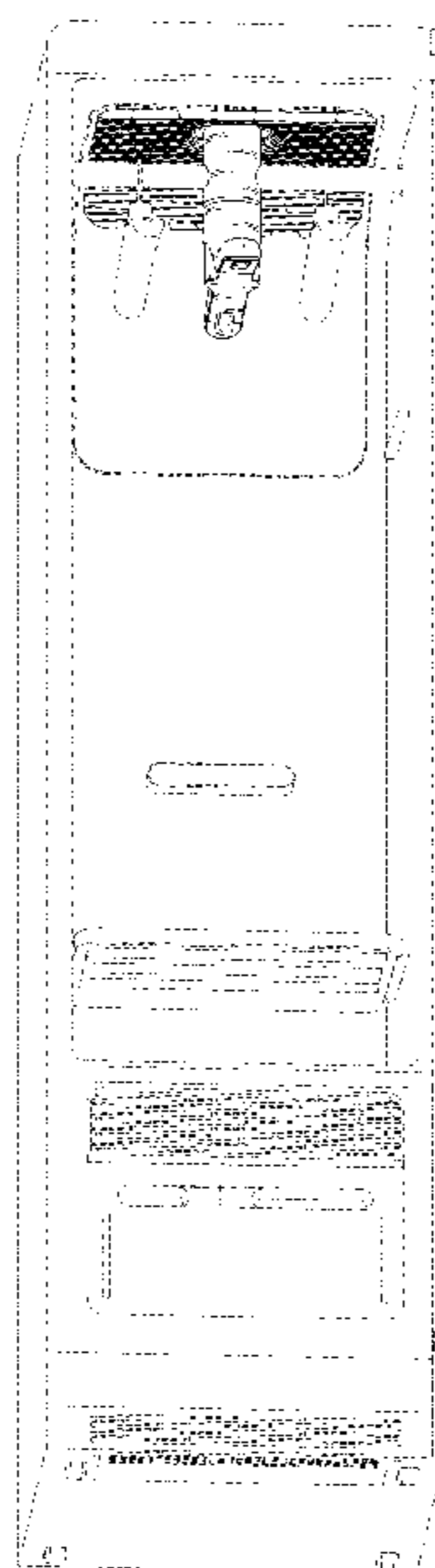
(57) **CLAIM**

The ornamental design for an clothing caring unit, as shown and described.

DESCRIPTION

FIG. 1 illustrates a front top perspective view of the clothing caring unit showing our new design;
FIG. 2 illustrates a front elevational view thereof;
FIG. 3 illustrates a back elevational view thereof;
FIG. 4 illustrates a left side elevational view thereof;
FIG. 5 illustrates a right side elevational view thereof;
FIG. 6 illustrates a top plan view thereof;
FIG. 7 illustrates a bottom plan view thereof;
FIG. 8 illustrates a front perspective view of the clothing caring unit in an alternative environment;
FIG. 9 illustrates a front bottom perspective view of thereof;
FIG. 10 illustrates a dissection view of FIG. 2 at line 10-10';
FIG. 11 illustrates dissection view of FIG. 6 at line 11-11';
and,
FIG. 12 illustrates a dissection view of FIG. 6 at line 12-12'.
The broken lines in the drawings illustrate environmental portions of the clothing caring unit which form no part of the claimed design.

1 Claim, 12 Drawing Sheets



(56)

References Cited

U.S. PATENT DOCUMENTS

D732,773	S *	6/2015	Chung	D32/25
D732,774	S *	6/2015	Chung	D32/25
D732,775	S *	6/2015	Chung	D32/25
D743,127	S *	11/2015	Chung	D32/25
D743,128	S *	11/2015	Chung	D32/25
D743,129	S *	11/2015	Chung	D32/25
D743,130	S *	11/2015	Choi	D32/25
D743,652	S *	11/2015	Chung	D32/25
D743,653	S *	11/2015	Chung	D32/25
D743,654	S *	11/2015	Chung	D32/25
D824,124	S *	7/2018	Lee	D32/6
D827,236	S *	8/2018	Chung	D32/25
D828,656	S *	9/2018	Chung	D32/6
D836,271	S *	12/2018	Chung	D32/6
D839,515	S *	1/2019	Chung	D32/25
D897,058	S *	9/2020	Kim	D32/6
2001/0037590	A1 *	11/2001	MacGregor	D06F 73/02 38/3
2008/0136295	A1 *	6/2008	Aizpuru Borda	D06F 58/10 312/31
2010/0058813	A1 *	3/2010	Moon	D06F 73/02 68/6
2012/0240425	A1 *	9/2012	Park	D06F 58/20 342/202

* cited by examiner

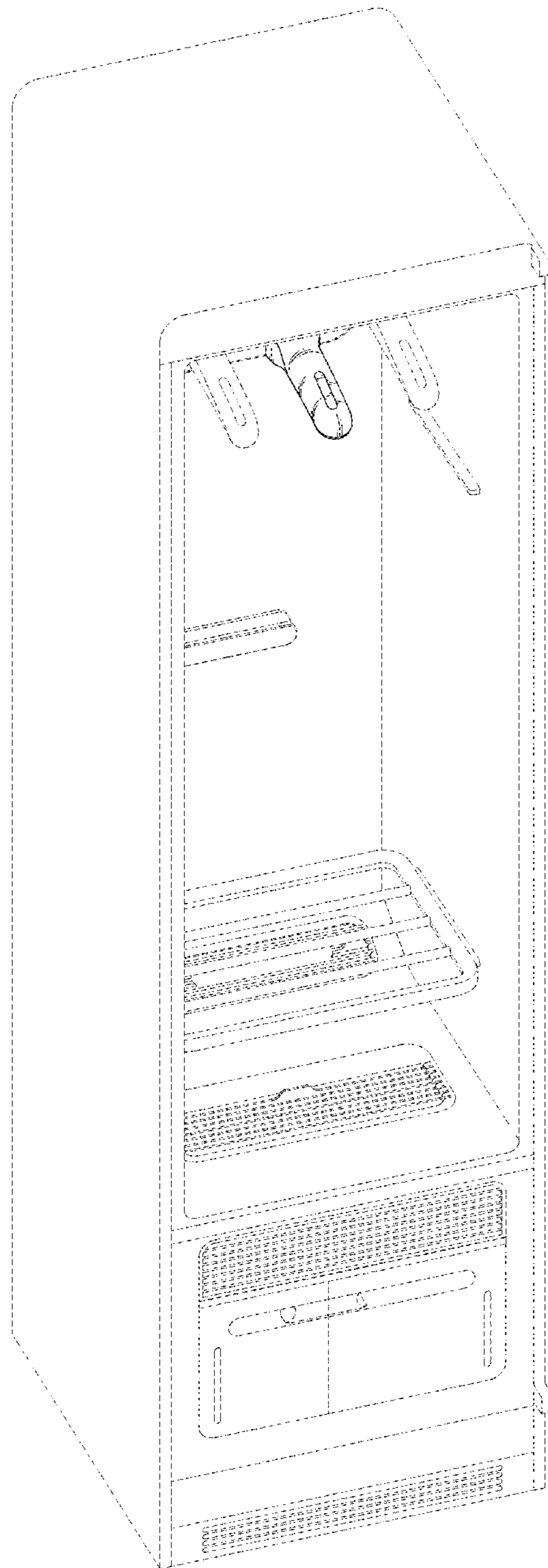


FIG. 1

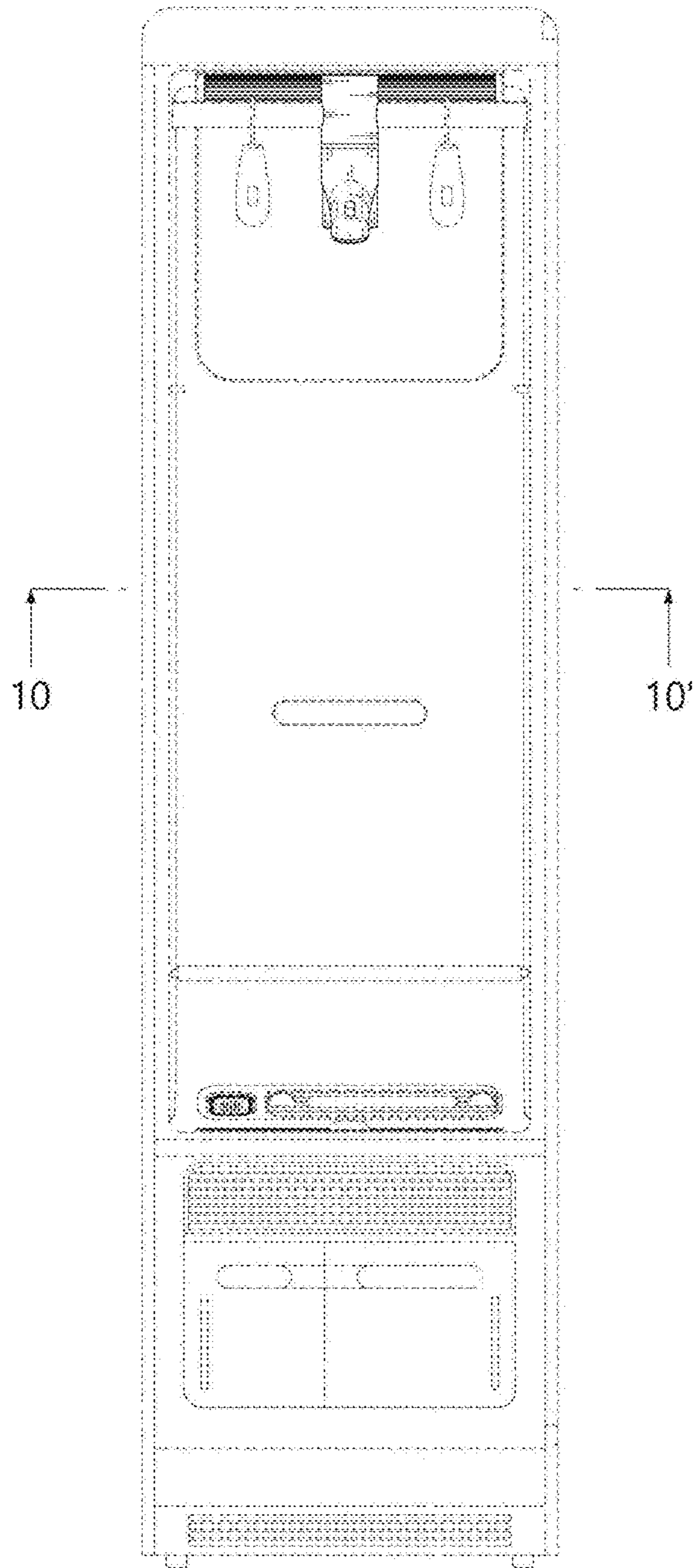


FIG. 2



FIG. 3

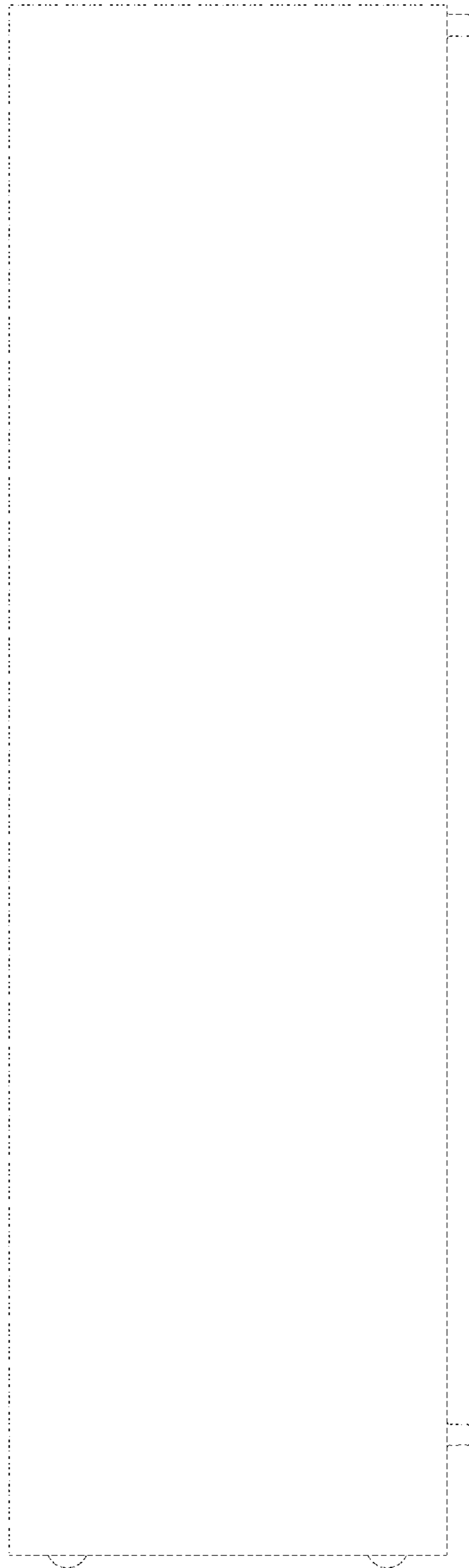


FIG. 4

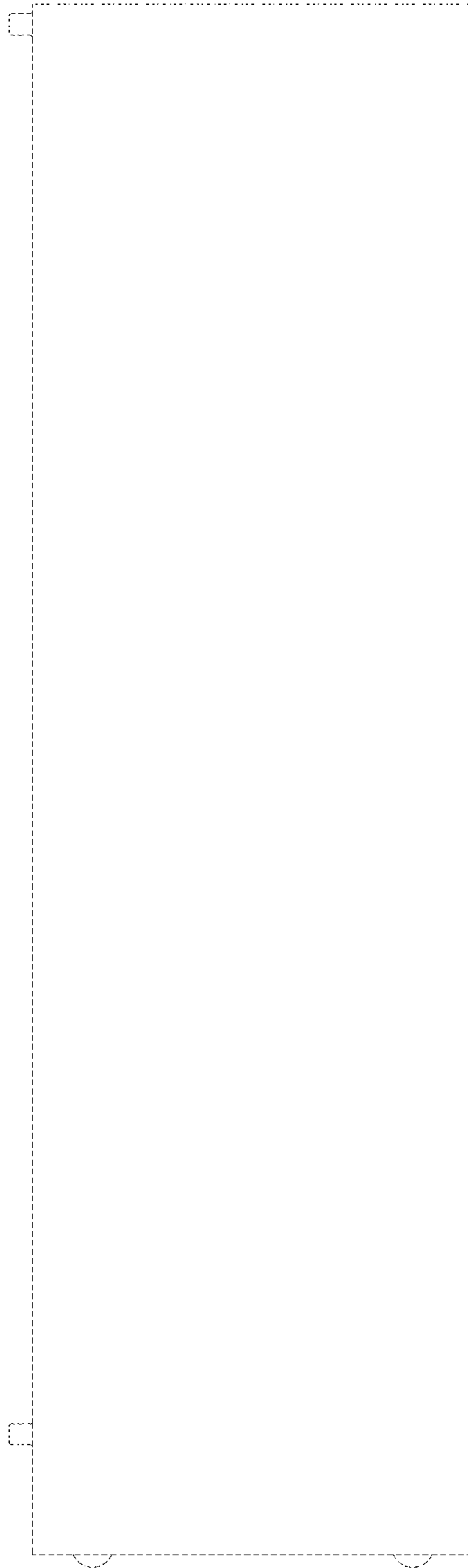


FIG. 5

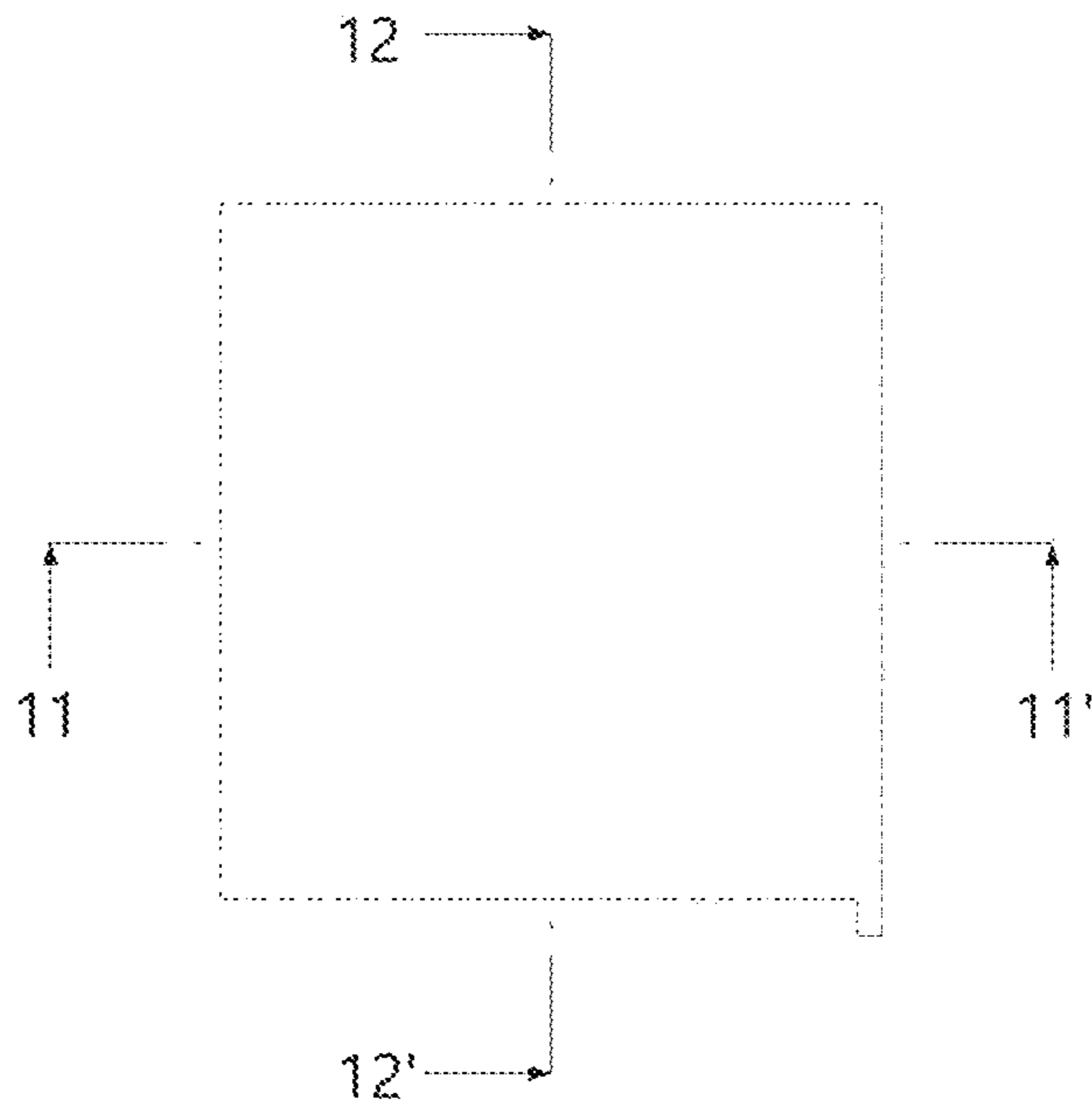


FIG. 6

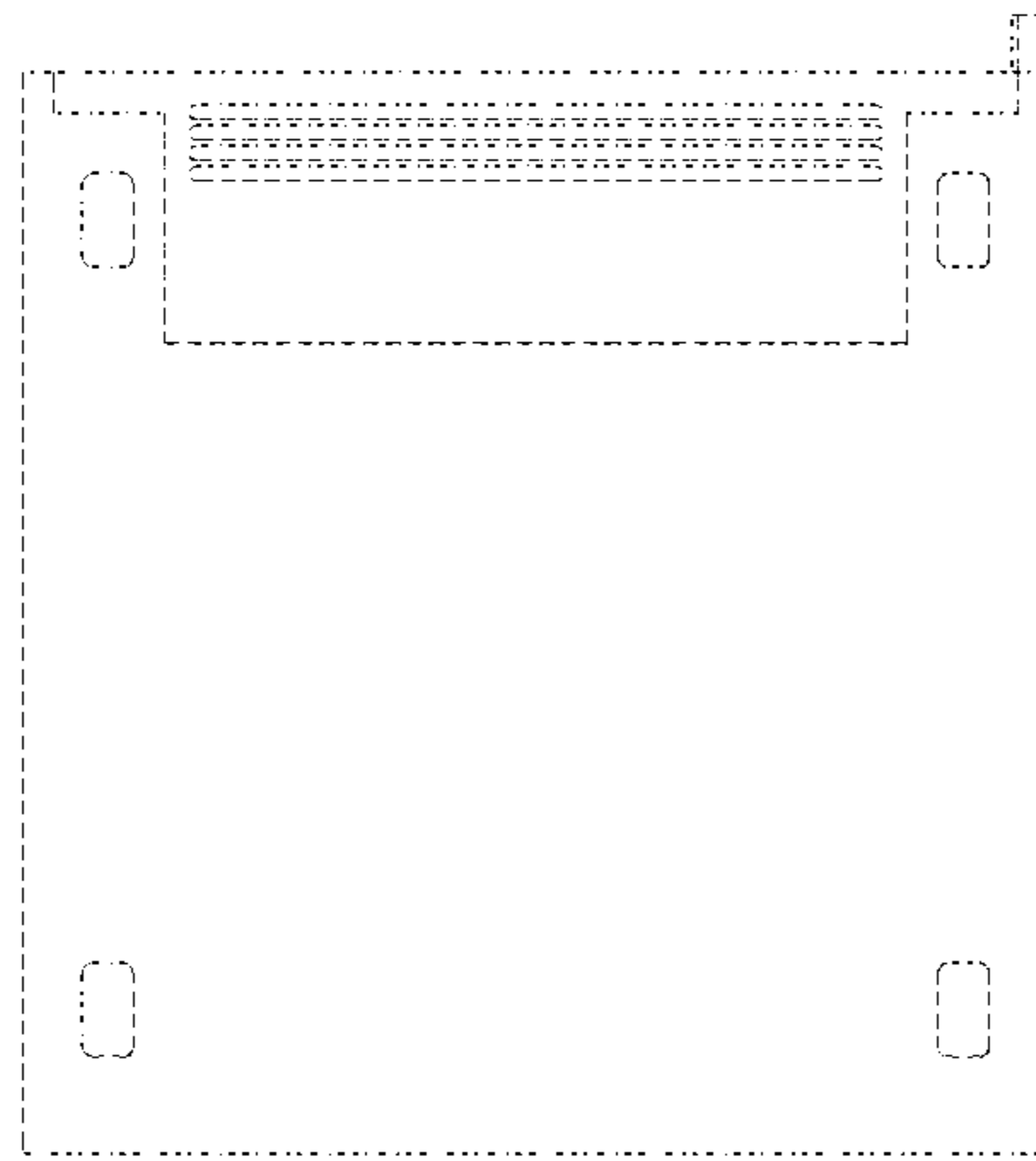


FIG. 7

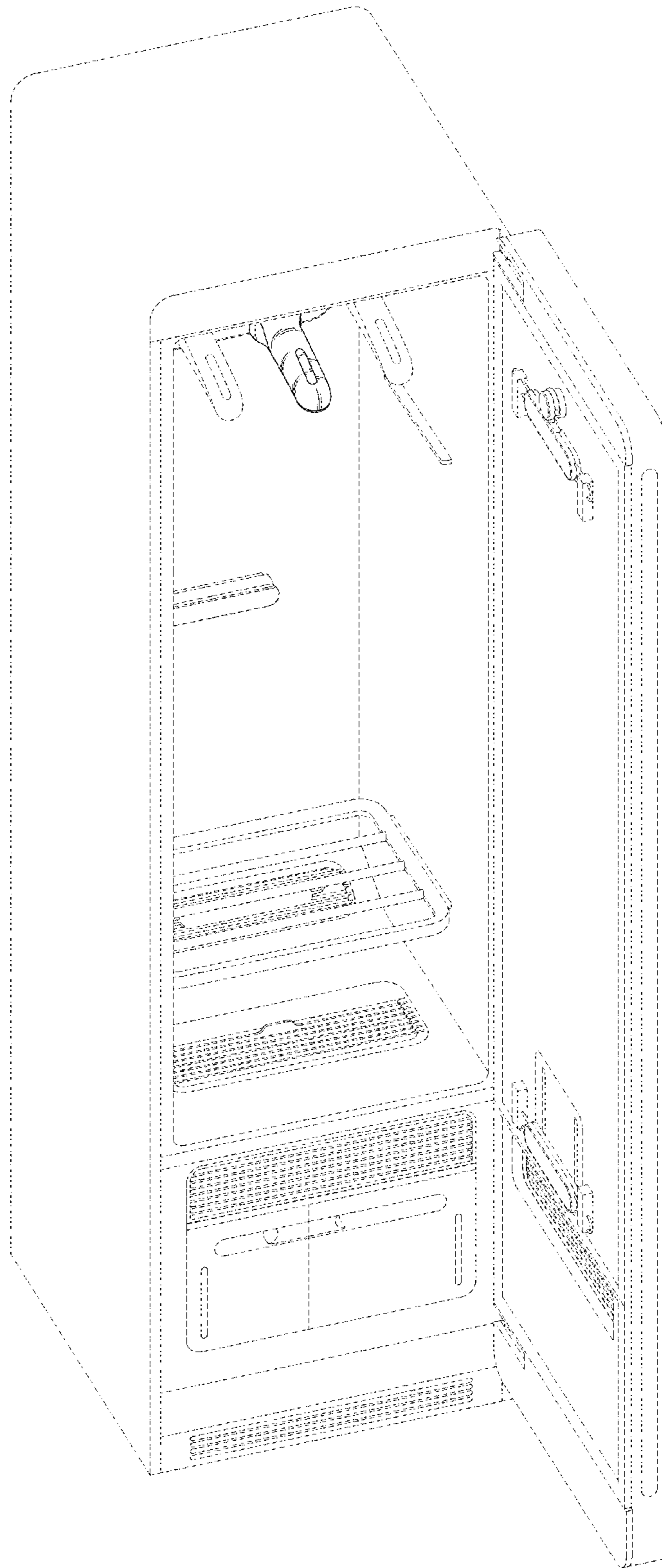


FIG. 8

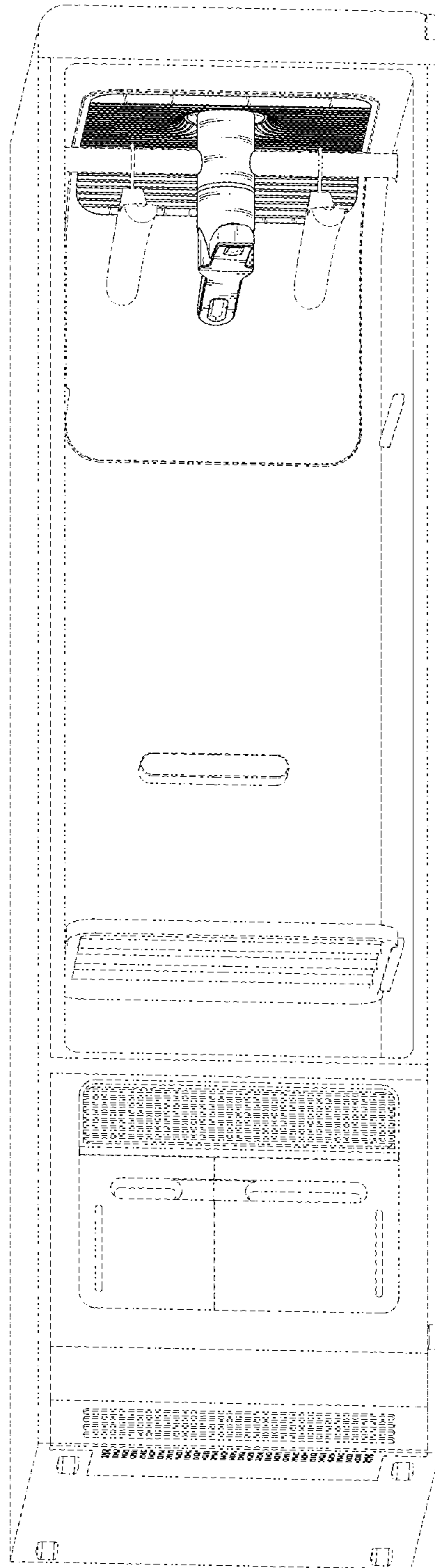


FIG. 9

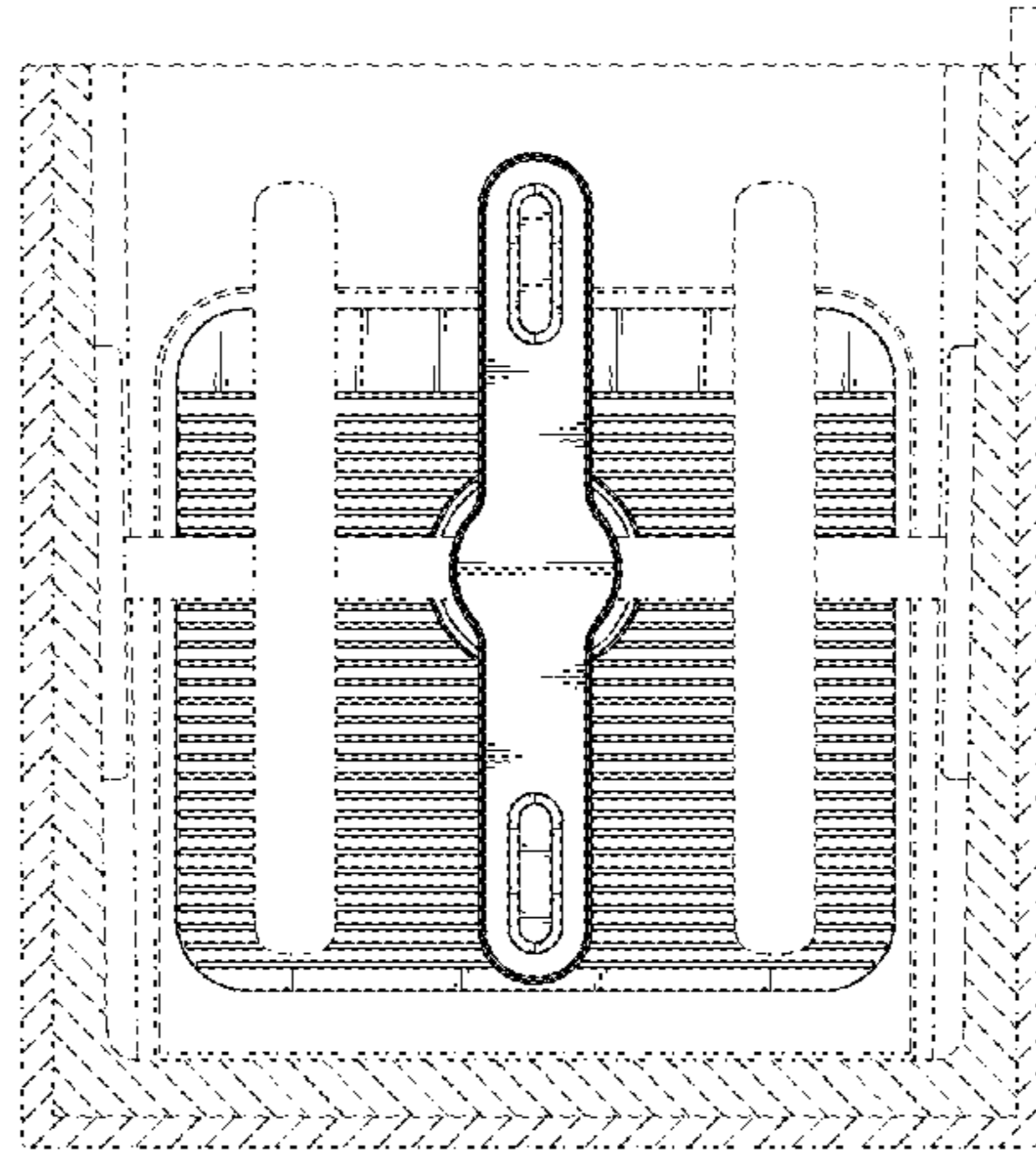


FIG. 10

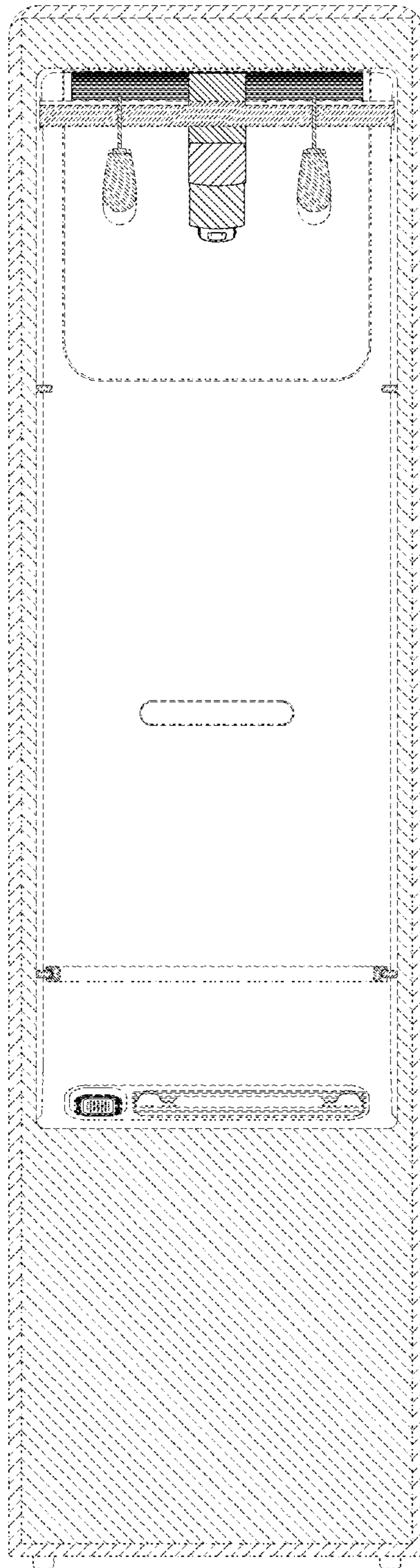


FIG. 11

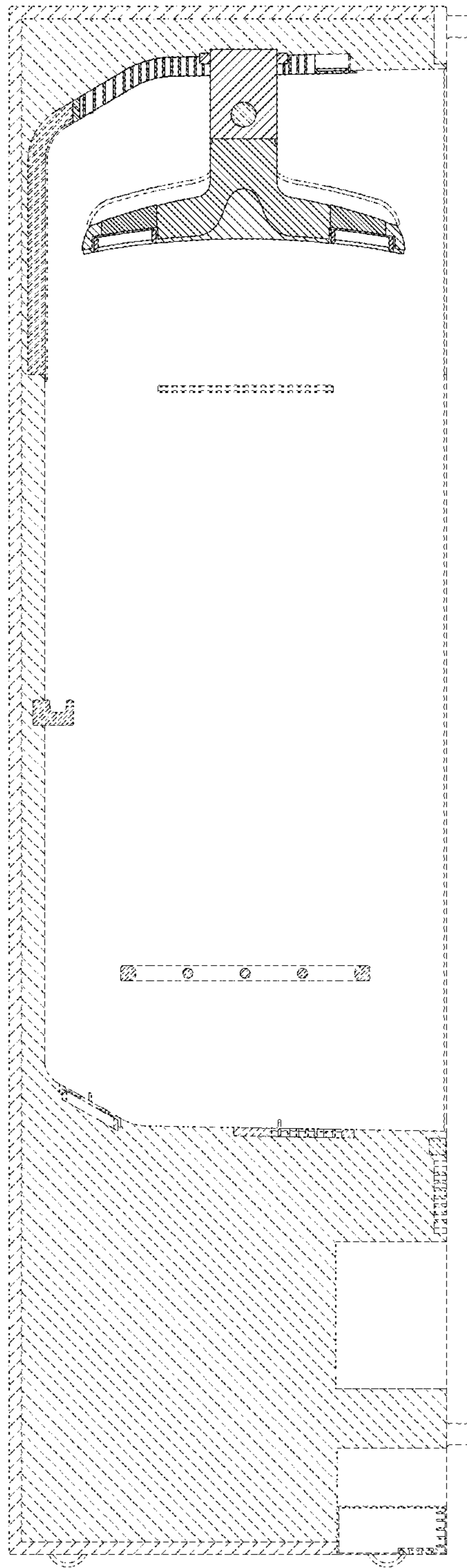


FIG. 12