



US00D918496S

(12) **United States Design Patent**
Yoon et al.

(10) **Patent No.:** **US D918,496 S**

(45) **Date of Patent:** **** May 4, 2021**

(54) **DISHWASHER**

(71) Applicant: **Samsung Electronics Co., Ltd.**,
Suwon-si (KR)

(72) Inventors: **Se Lim Yoon**, Suwon-si (KR); **Jun Kyo Lee**,
Suwon-si (KR); **Jae Jun Kim**,
Suwon-si (KR)

(73) Assignee: **Samsung Electronics Co., Ltd.**,
Suwon-si (KR)

(**) Term: **15 Years**

(21) Appl. No.: **29/694,444**

(22) Filed: **Jun. 11, 2019**

(30) **Foreign Application Priority Data**

Dec. 12, 2018 (KR) 30-2018-0058631

(51) **LOC (13) Cl.** **15-05**

(52) **U.S. Cl.**
USPC **D32/2**

(58) **Field of Classification Search**
USPC D32/2-3, 5-7, 12-13, 25-29.1
(Continued)

(56) **References Cited**

U.S. PATENT DOCUMENTS

5,365,959 A * 11/1994 Favaro A47L 15/4257
134/113
5,453,586 A * 9/1995 Stottmann H01H 13/70
200/302.2

(Continued)

FOREIGN PATENT DOCUMENTS

CN 302497340 * 7/2013
CN 2015304386586 2/2016

(Continued)

OTHER PUBLICATIONS

Dishwashers | Stainless Steel & Energy Efficient, Samsung website 2020, <https://www.samsung.com/us/home-appliances/dishwashers/all-dishwashers/>, site visited Jun. 11, 2020.*

Primary Examiner — John R Yeh

(74) *Attorney, Agent, or Firm* — NSIP Law

(57) **CLAIM**

We claim the ornamental design for a dishwasher, as shown and described.

DESCRIPTION

FIG. 1 is a front perspective view of a dishwasher showing our new design;
FIG. 2 is a front view thereof;
FIG. 3 is a rear view thereof;
FIG. 4 is a left-side view thereof;
FIG. 5 is a right-side view thereof;
FIG. 6 is a top plan view thereof;
FIG. 7 is a bottom plan view thereof;
FIG. 8 is a front perspective view of a dishwasher shown in an alternate position;
FIG. 9 is a front elevational view thereof;
FIG. 10 is a rear elevational view thereof;
FIG. 11 is a left-side elevational view thereof;
FIG. 12 is a right-side elevational view thereof;
FIG. 13 is a top plan view thereof;
FIG. 14 is a bottom plan view thereof;
FIG. 15 is an enlarged view of the portion 15 in FIG. 8;
FIG. 16 is an enlarged view of the portion 16 in FIG. 11;
FIG. 17 is a front perspective view of a dishwasher shown in an alternate position;
FIG. 18 is a front elevational view thereof;
FIG. 19 is a rear elevational view thereof;
FIG. 20 is a left-side elevational view thereof;
FIG. 21 is a right-side elevational view thereof;
FIG. 22 is a top plan view thereof;
FIG. 23 is a bottom plan view thereof;
FIG. 24 is an enlarged view of the portion 24 in FIG. 17;
FIG. 25 is an enlarged view of the portion 25 in FIG. 18;

(Continued)

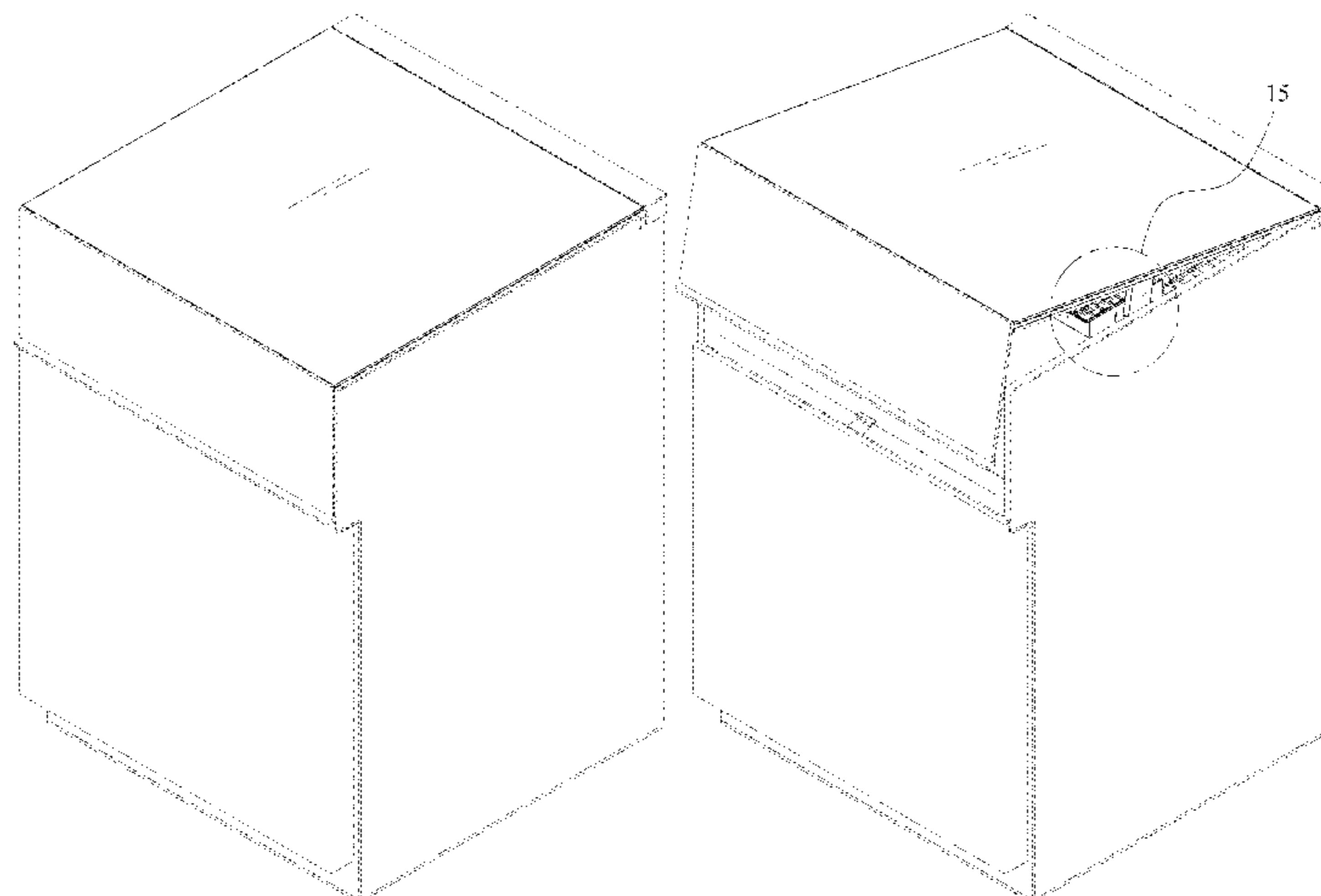


FIG. 26 is an enlarged view of the portion 26 in FIG. 20;
 FIG. 27 is a front perspective view of a dishwasher shown in an alternate position;
 FIG. 28 is a front elevational view thereof;
 FIG. 29 is a rear elevational view thereof;
 FIG. 30 is a left-side elevational view thereof;
 FIG. 31 is a right-side elevational view thereof;
 FIG. 32 is a top plan view thereof;
 FIG. 33 is a bottom plan view thereof;
 FIG. 34 is an enlarged view of the portion 34 in FIG. 27;
 FIG. 35 is an enlarged view of the portion 35 in FIG. 28;
 FIG. 36 is an enlarged view of the portion 36 in FIG. 30;
 FIG. 37 is a front perspective view of a dishwasher shown in an alternate position;
 FIG. 38 is a front elevational view thereof;
 FIG. 39 is a rear elevational view thereof;
 FIG. 40 is a left-side elevational view thereof;
 FIG. 41 is a right-side elevational view thereof;
 FIG. 42 is a top plan view thereof;
 FIG. 43 is a bottom plan view thereof;
 FIG. 44 is an enlarged view of the portion 44 in FIG. 37; and,
 FIG. 45 is an enlarged view of the portion 45 in FIG. 38.
 The broken lines in the figures depict portions of the dishwasher which form no part of the claimed design.
 The dot-dash broken lines encircling portions of the claimed design that are illustrated in enlargements form no part of the claimed design.

1 Claim, 45 Drawing Sheets

(58) **Field of Classification Search**
 CPC A47L 15/42; A47L 15/00; B65D 47/06;
 D06F 23/06; D06F 37/26
 See application file for complete search history.

(56) **References Cited**

U.S. PATENT DOCUMENTS

D493,582	S	*	7/2004	Ott	D32/3
D493,583	S	*	7/2004	Kaczmarek	D32/3
D510,781	S	*	10/2005	Seo	D32/2
D518,249	S	*	3/2006	Seo	D32/2
7,201,175	B2	*	4/2007	DeBoer A47L 15/0086	134/115 R
D543,321	S	*	5/2007	Jeon	D32/2
D549,404	S	*	8/2007	Jeon	D32/2
D627,937	S	*	11/2010	Kim	D32/2
7,928,857	B2	*	4/2011	Olesen A47L 15/4293	340/686.1
D656,692	S	*	3/2012	Kim	D32/2
D658,828	S	*	5/2012	Kim	D32/2
D673,742	S	*	1/2013	Eng	D32/2
D677,023	S	*	2/2013	Borjesson	D32/2
D682,491	S	*	5/2013	Kim	D32/2
D806,960	S	*	1/2018	Tong	D32/2
D827,224	S	*	8/2018	Lee	D32/3
D827,225	S	*	8/2018	Lee	D32/3
2008/0011342	A1	*	1/2008	Ryu A47L 15/4257	134/57 DL

FOREIGN PATENT DOCUMENTS

CN	2016305796027	6/2017
CN	20157302310308	11/2017
CN	201730637553	4/2018
CN	2018300722613	7/2018

* cited by examiner

FIG. 1

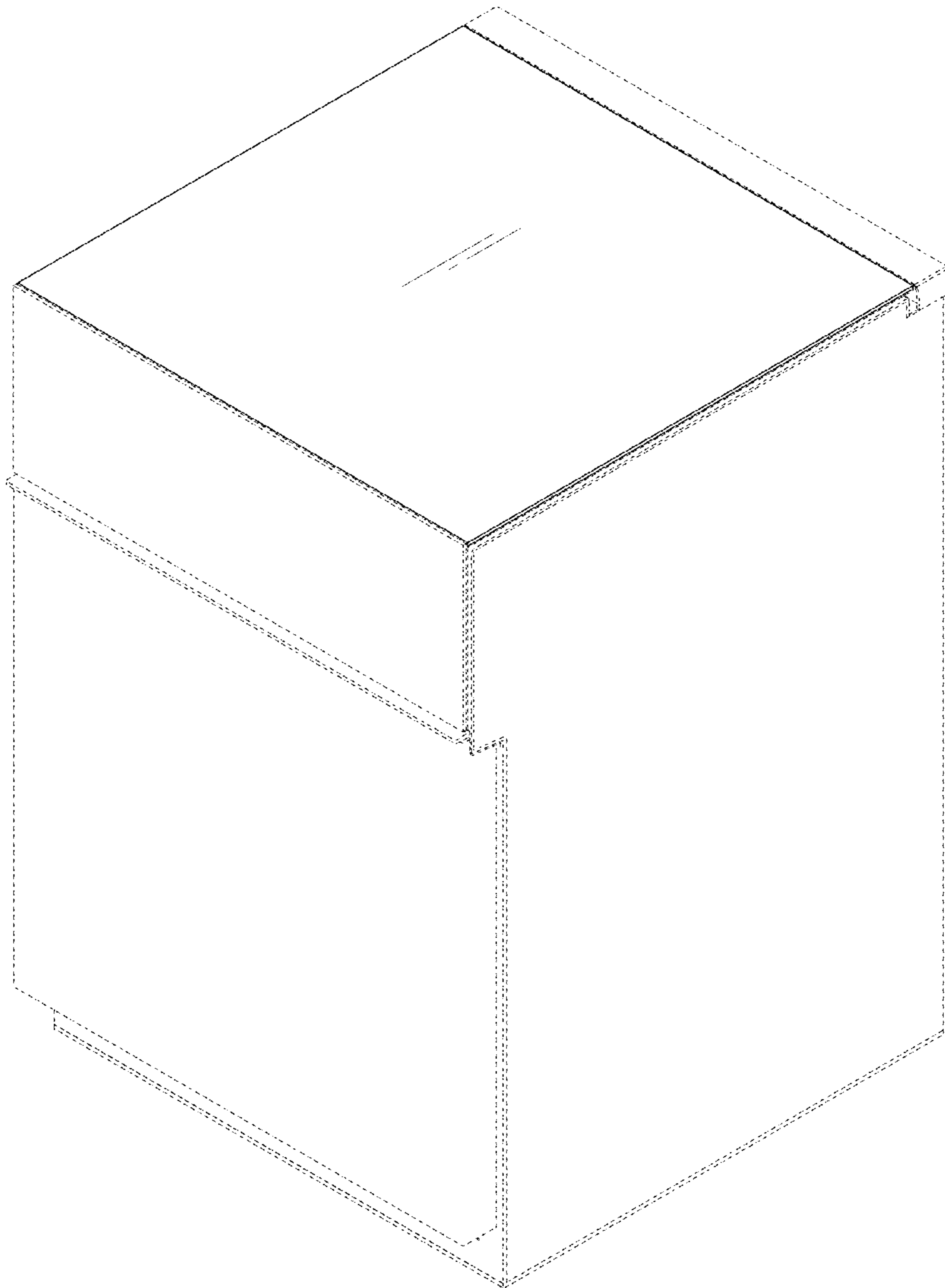


FIG. 2

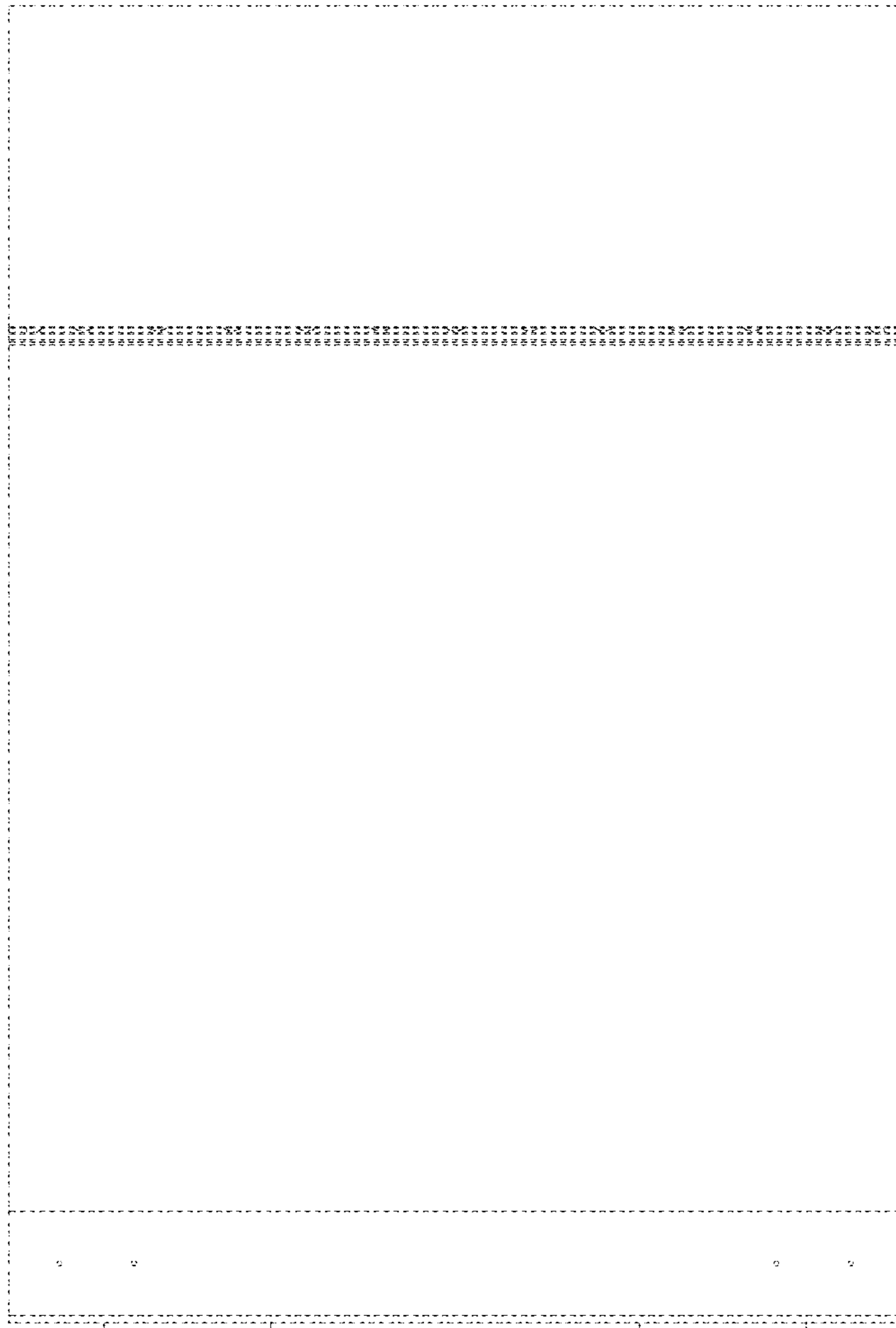


FIG. 3

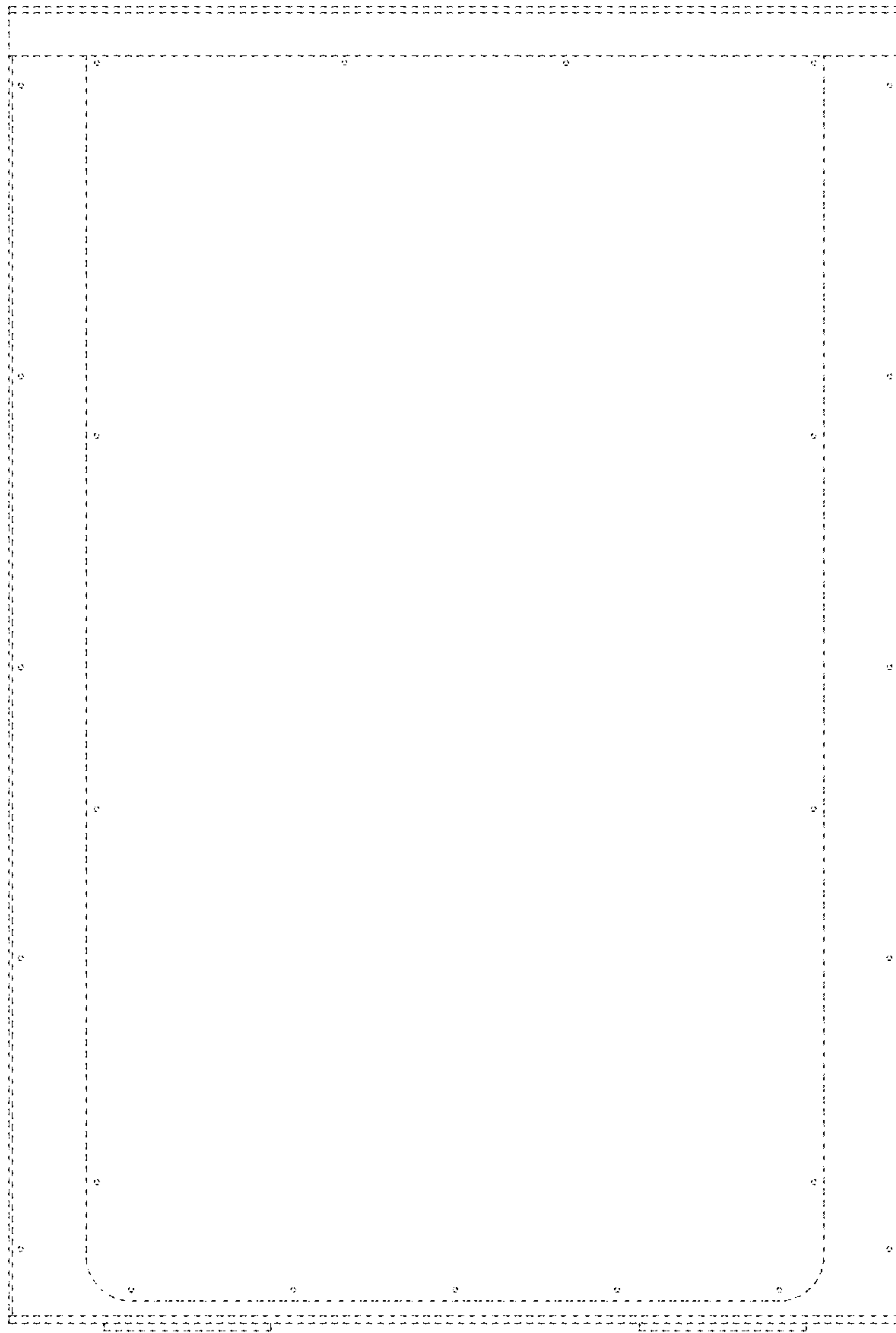


FIG. 4

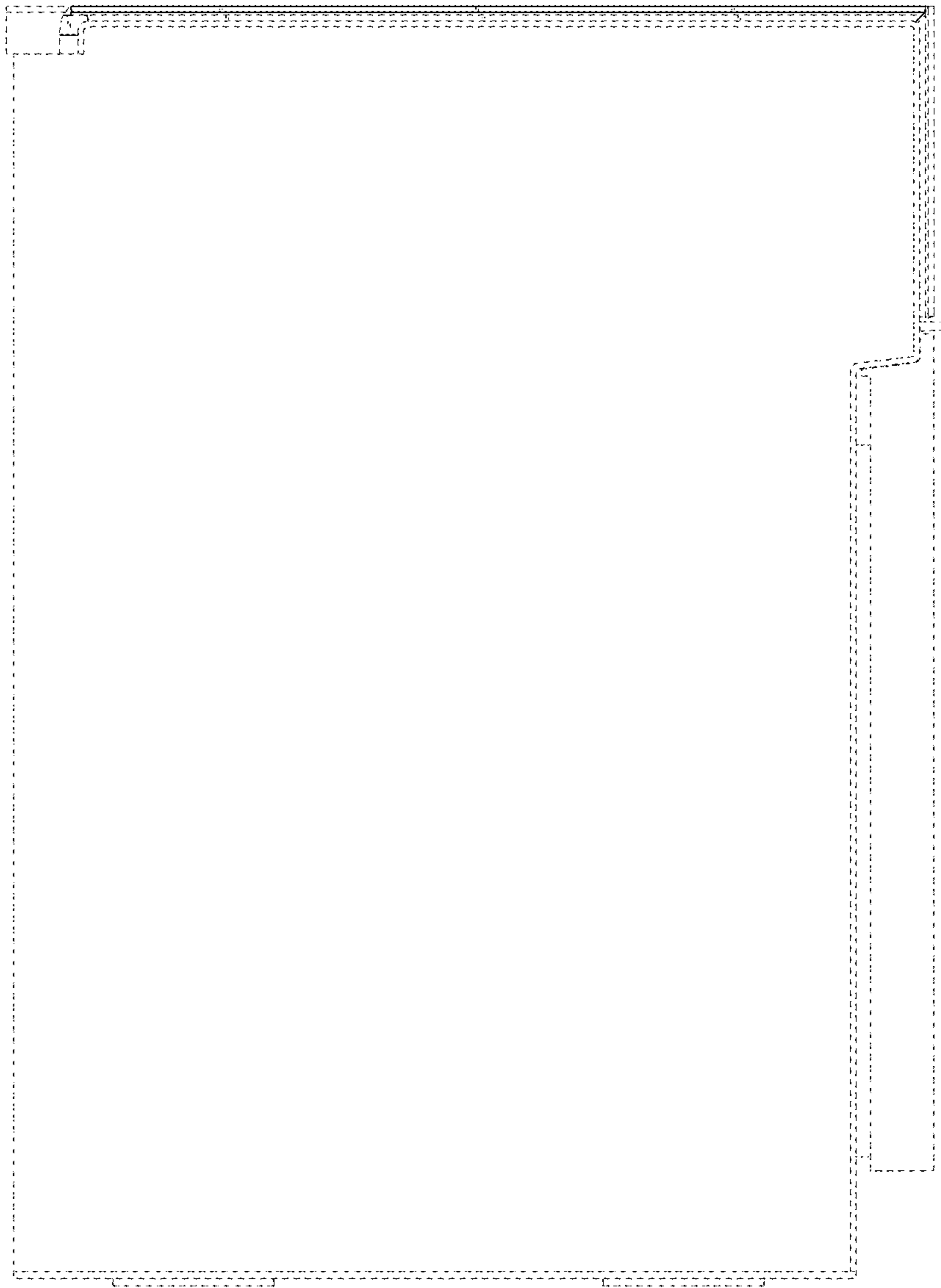


FIG. 5

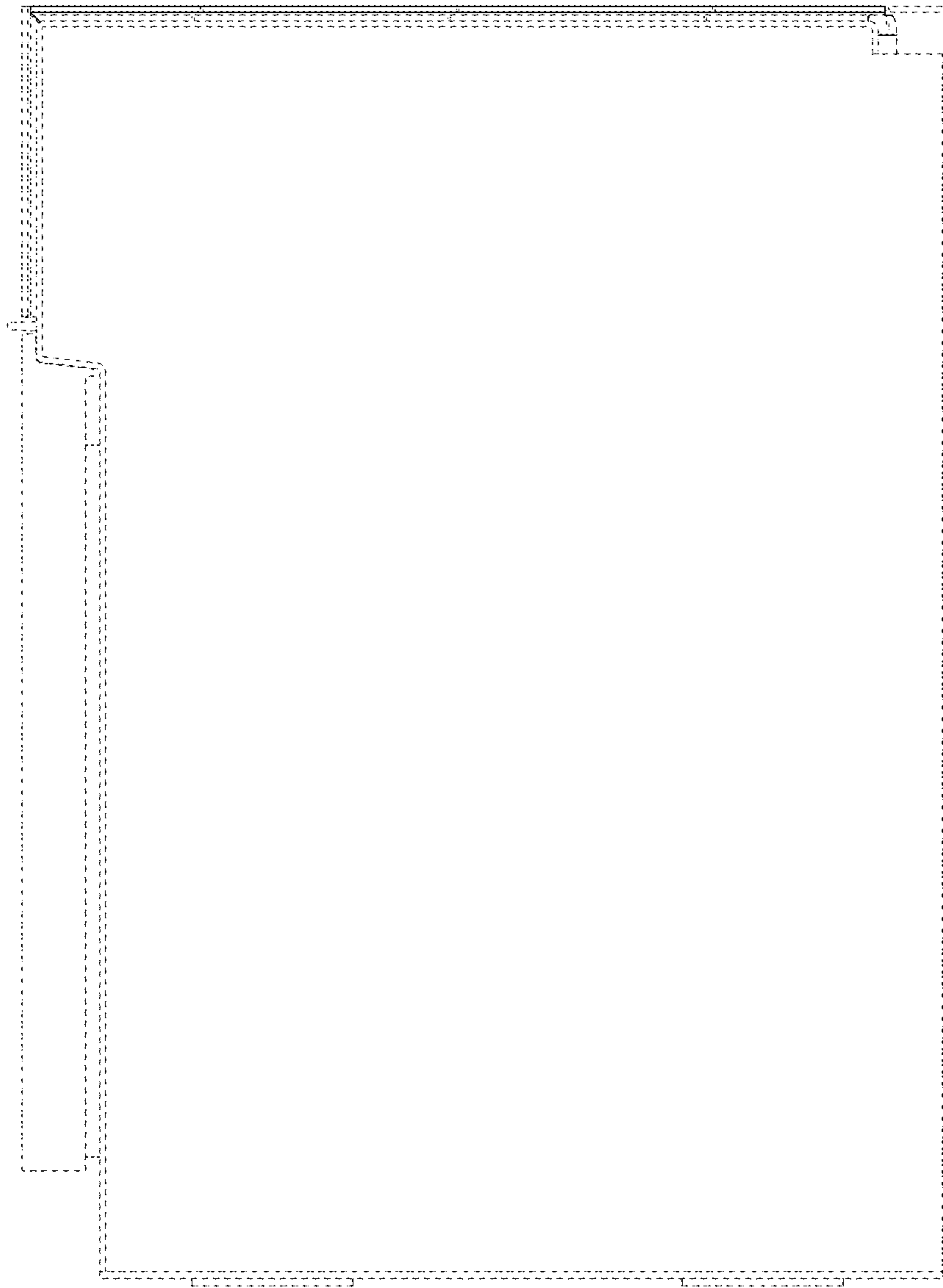


FIG. 6

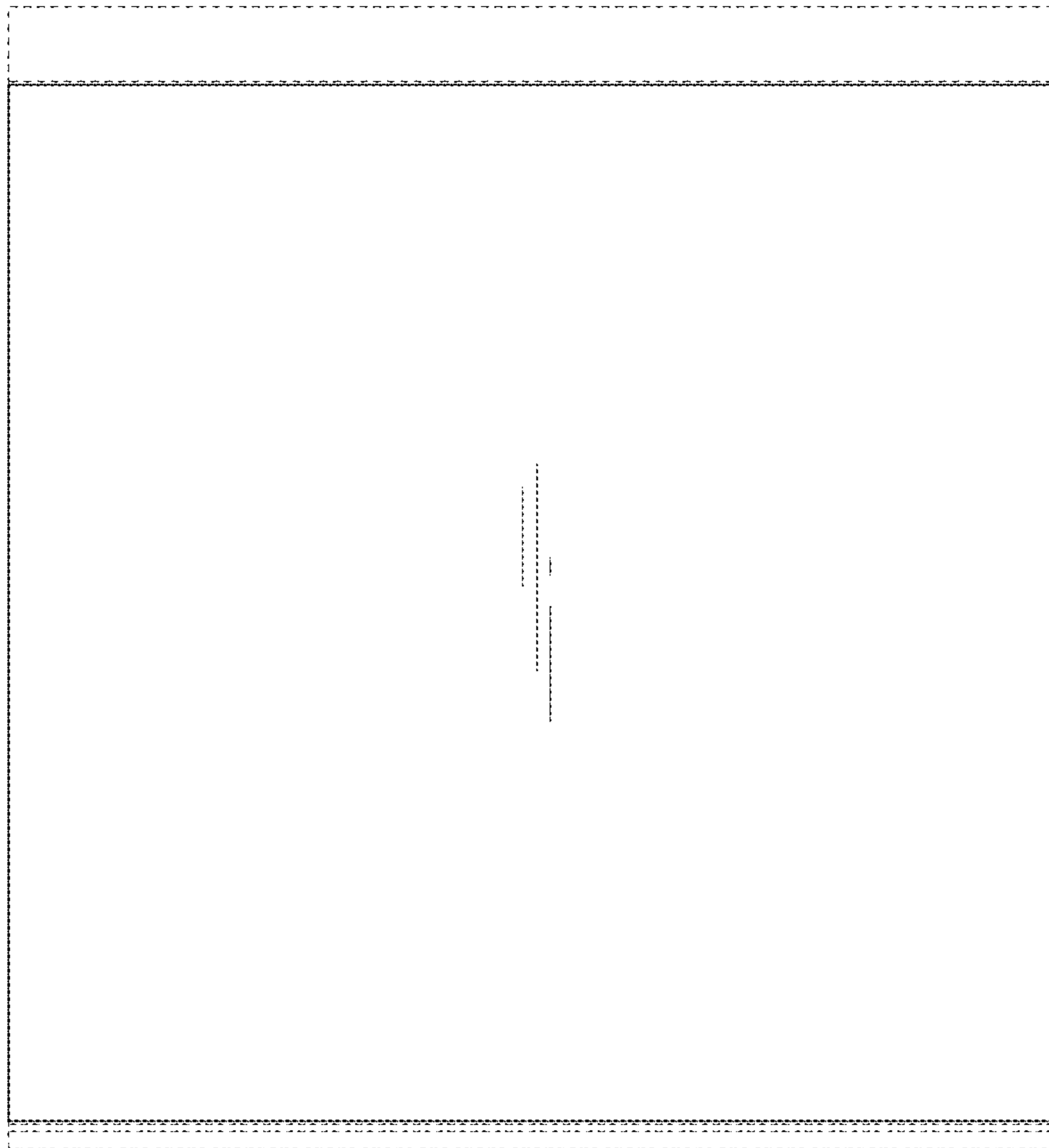


FIG. 7

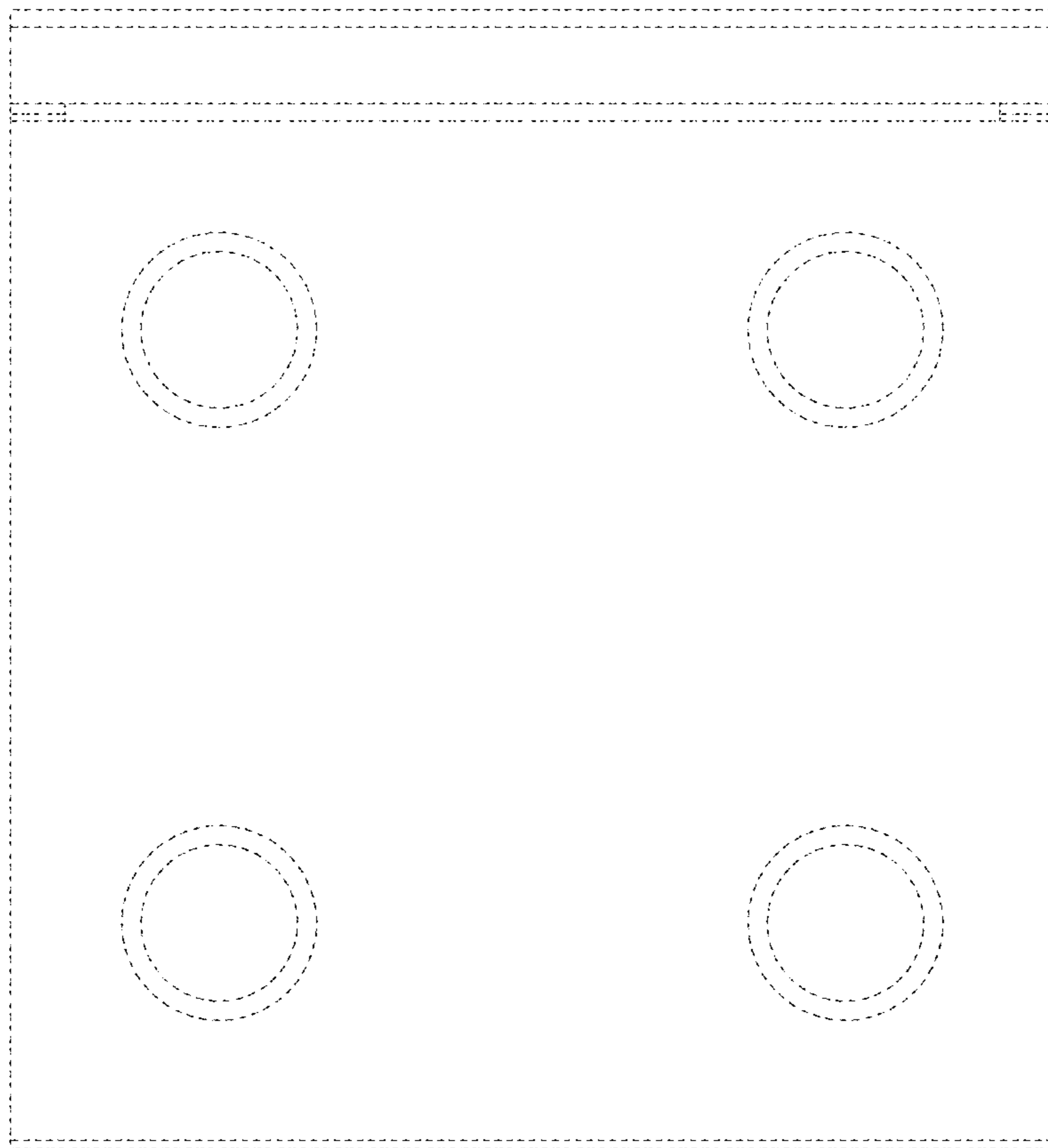


FIG. 8

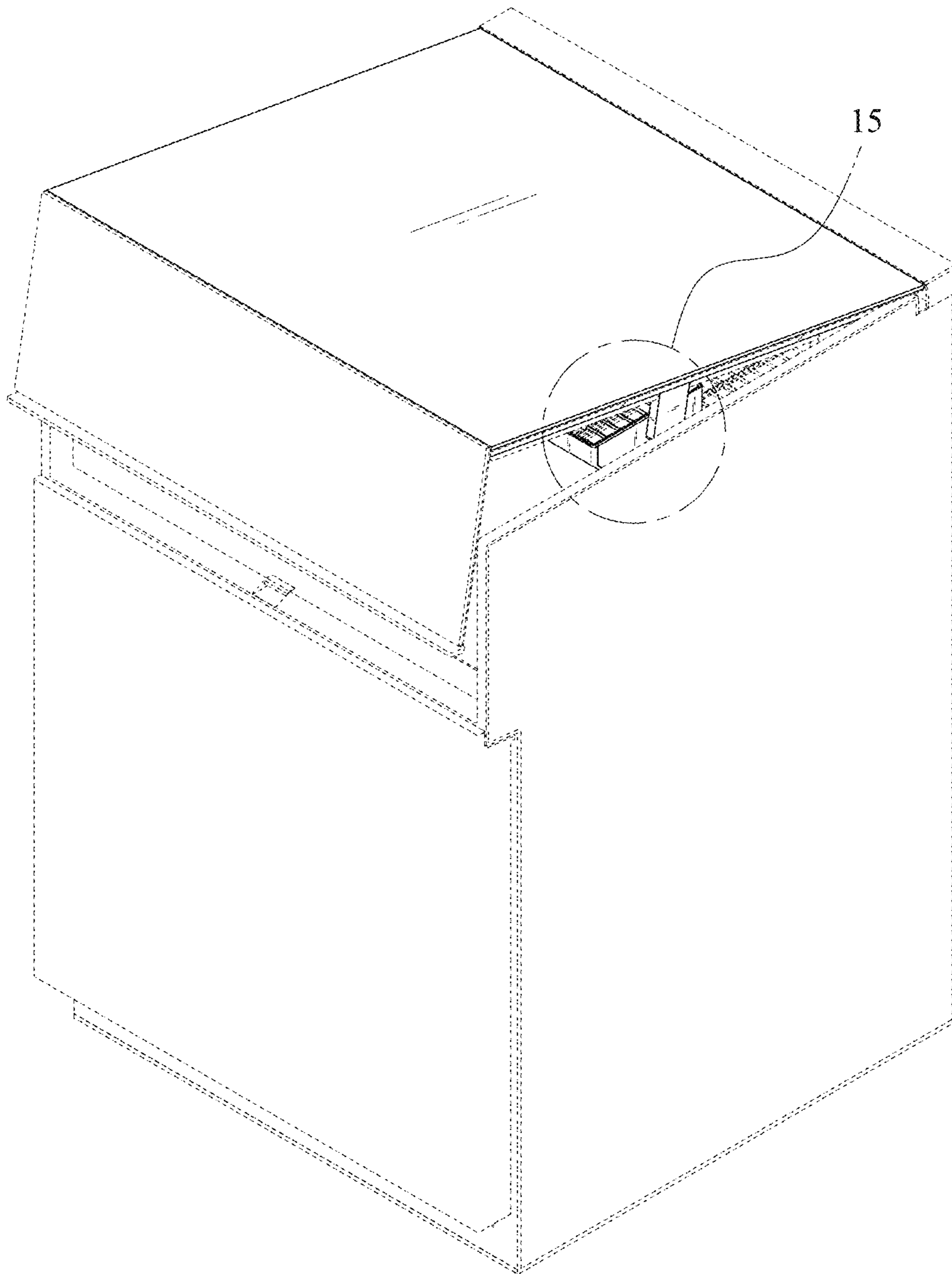


FIG. 9

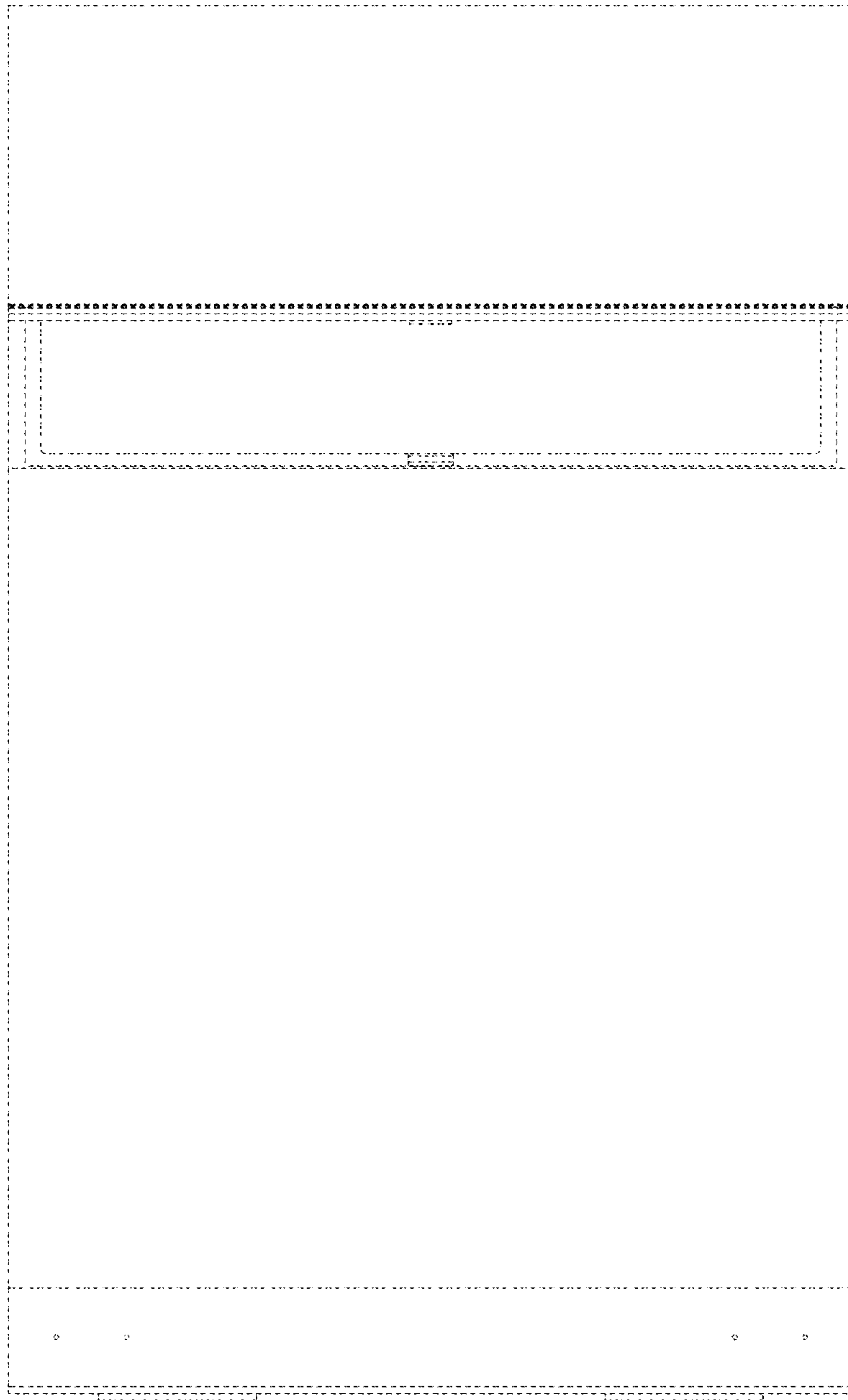


FIG. 10

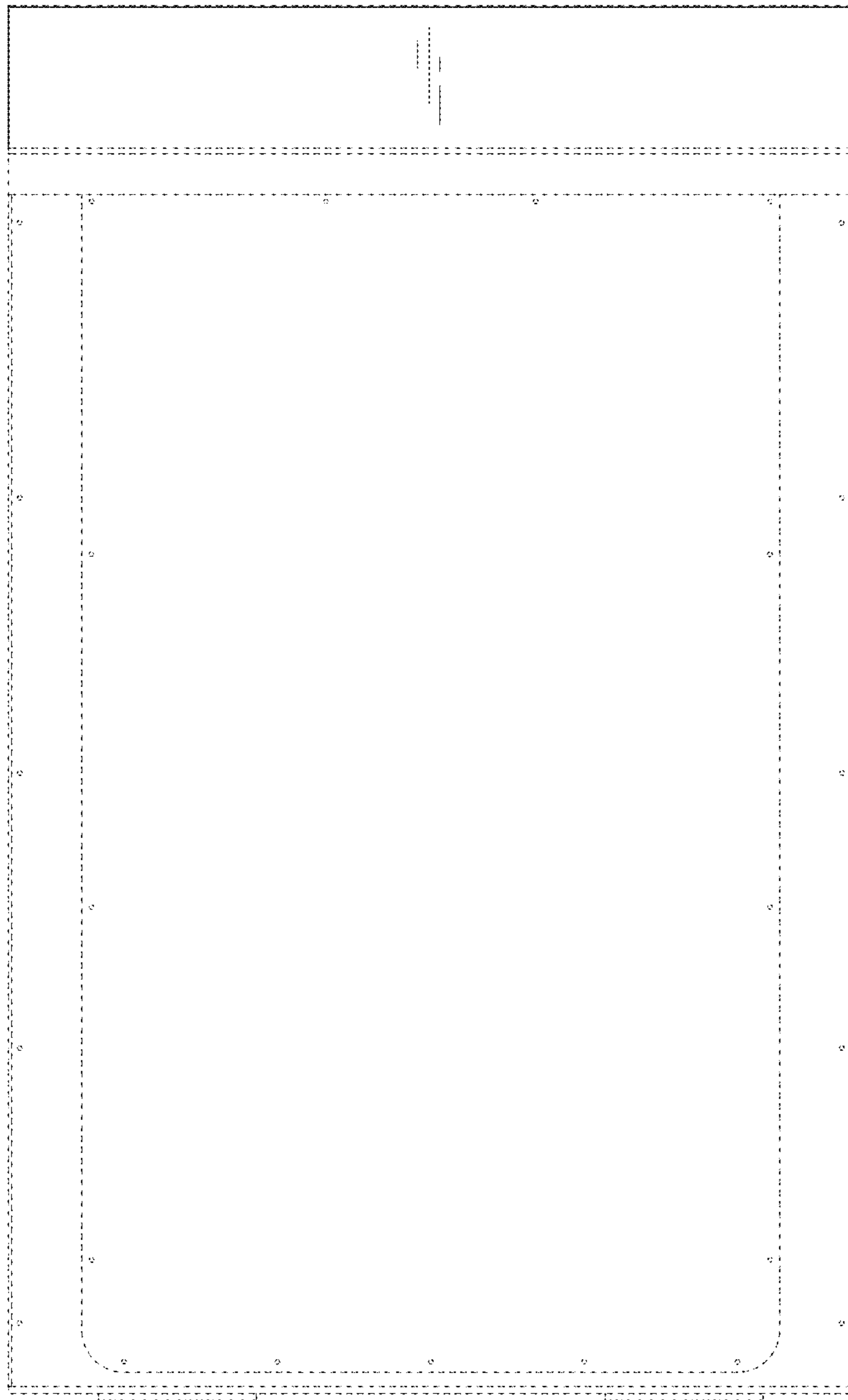


FIG. 11

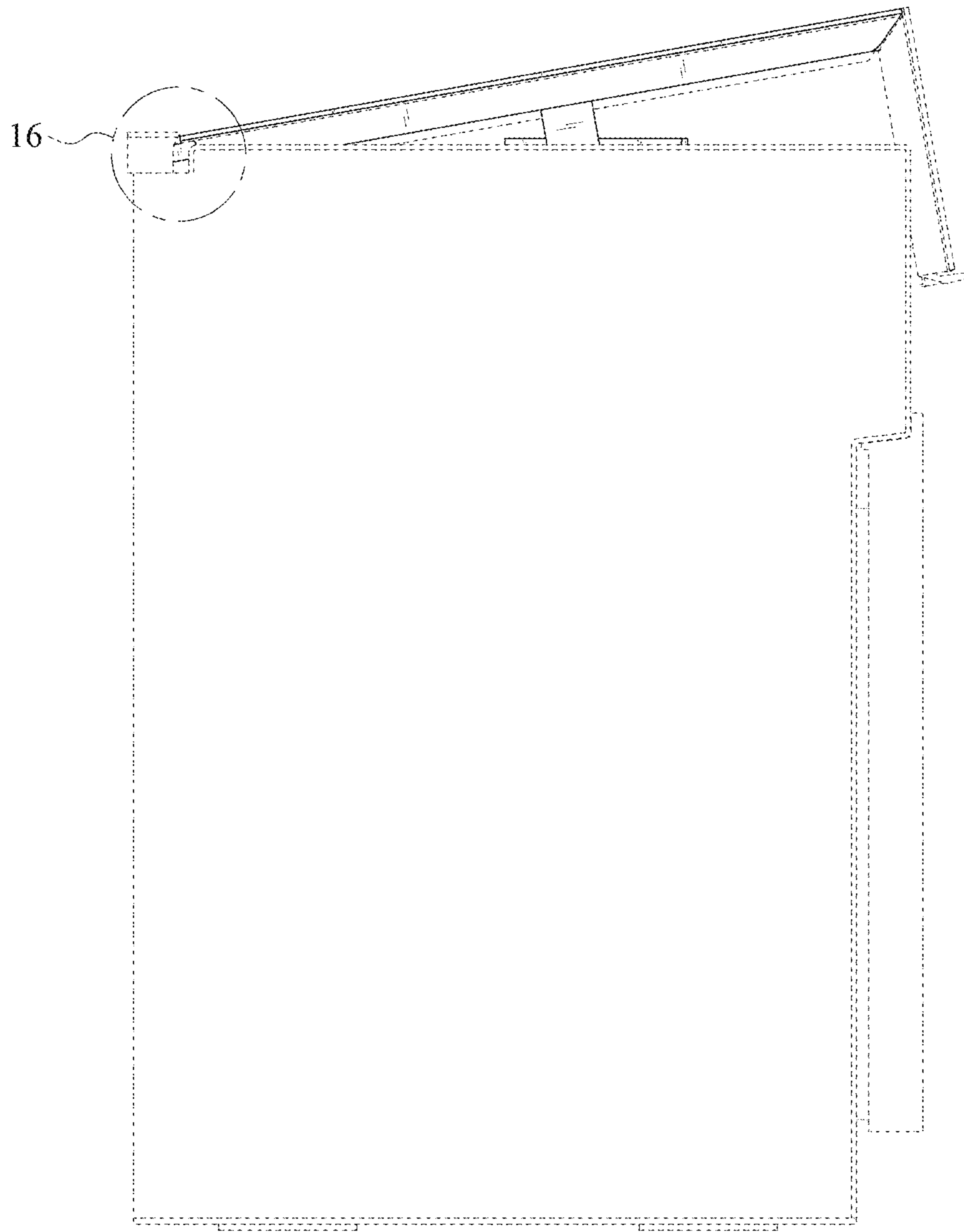


FIG. 12

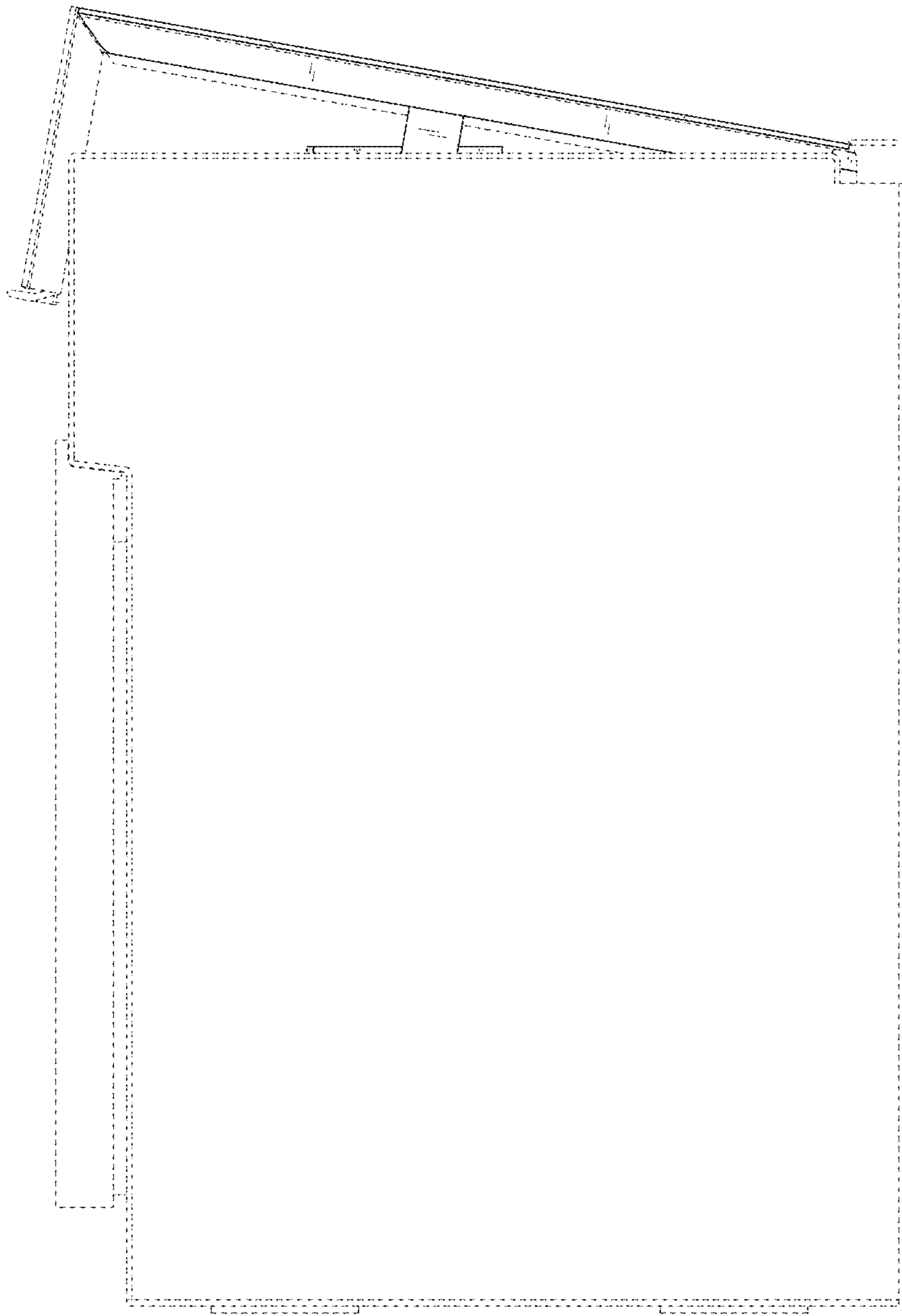


FIG. 13

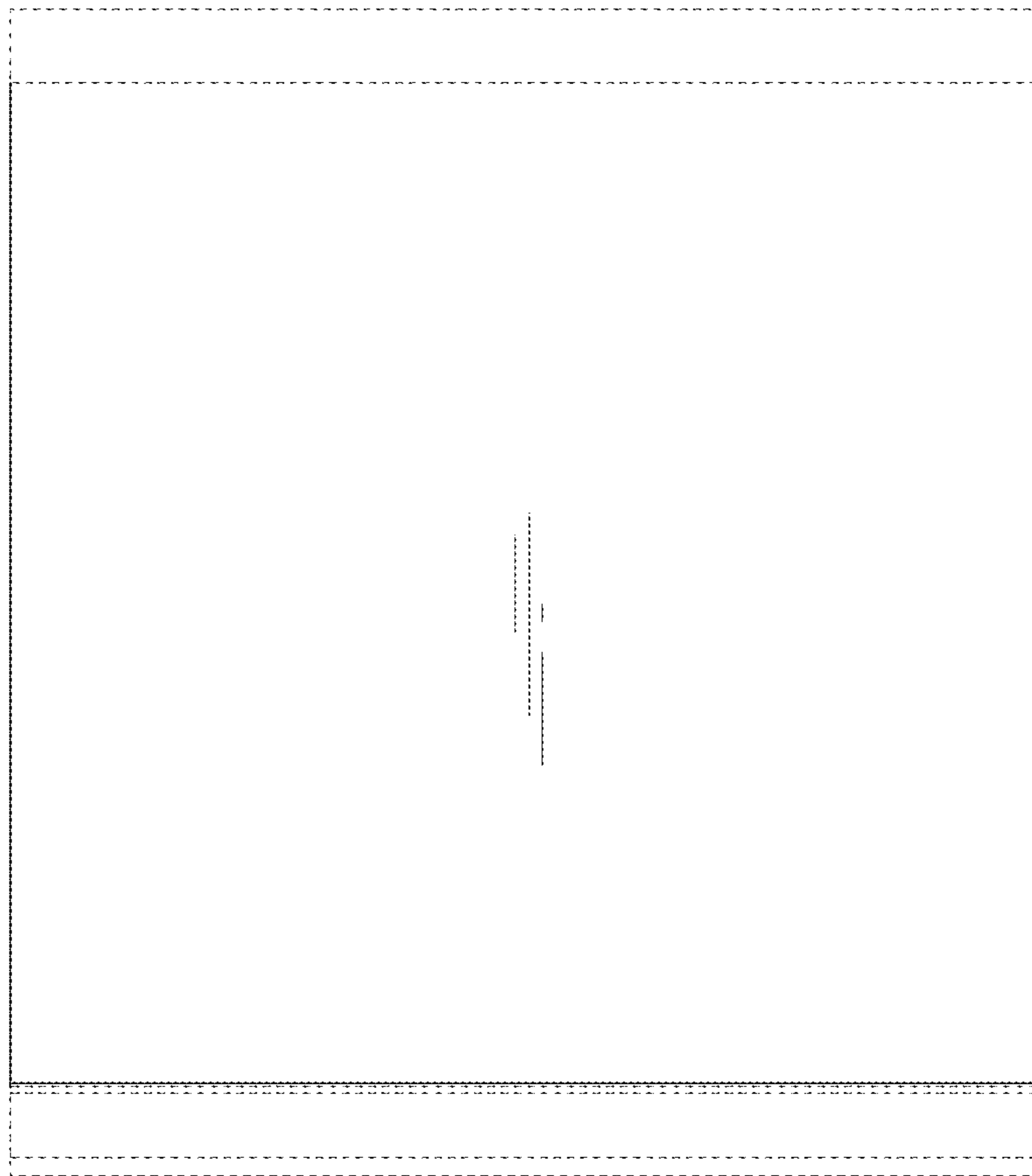


FIG. 14

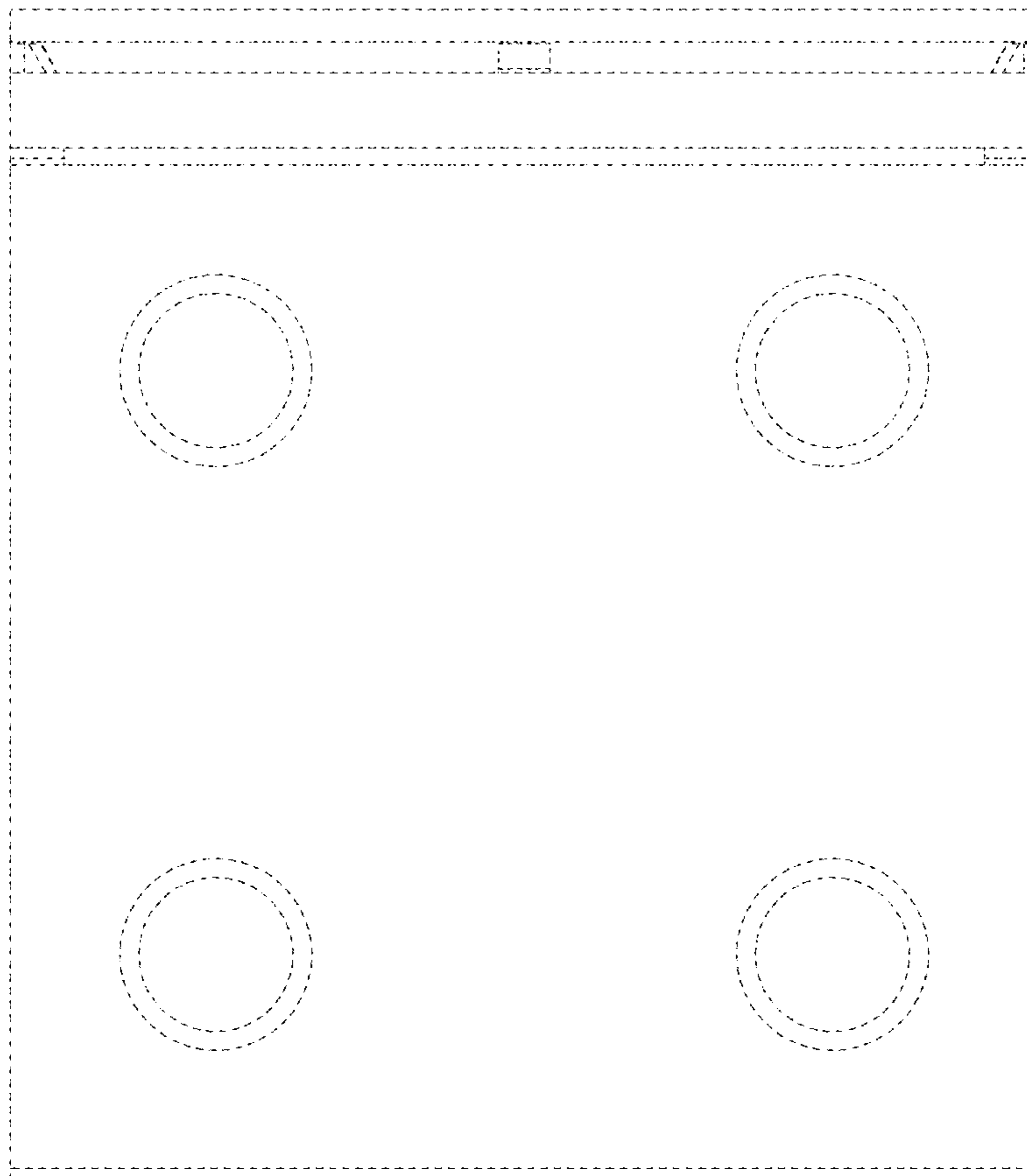


FIG. 15

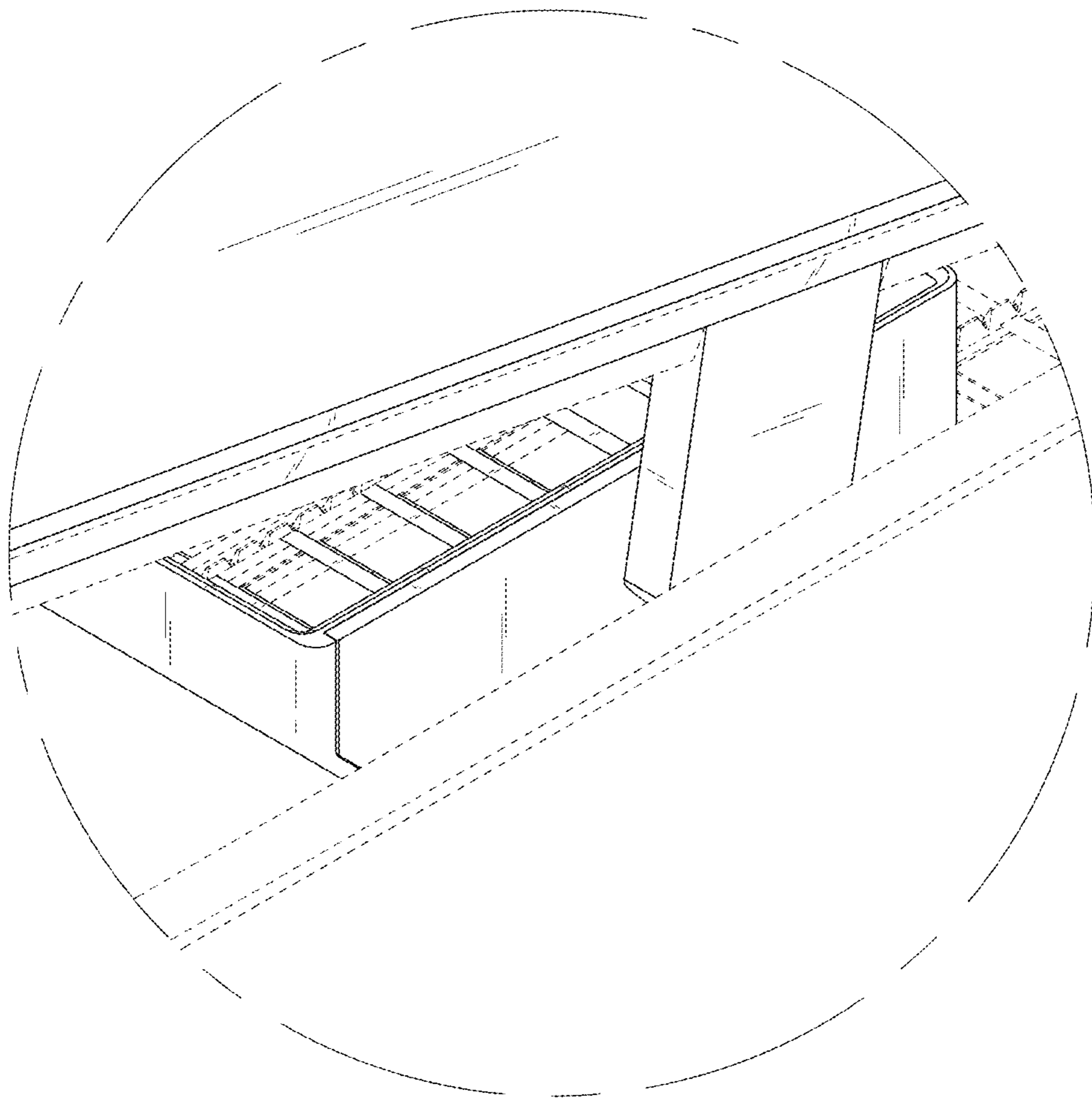


FIG. 16

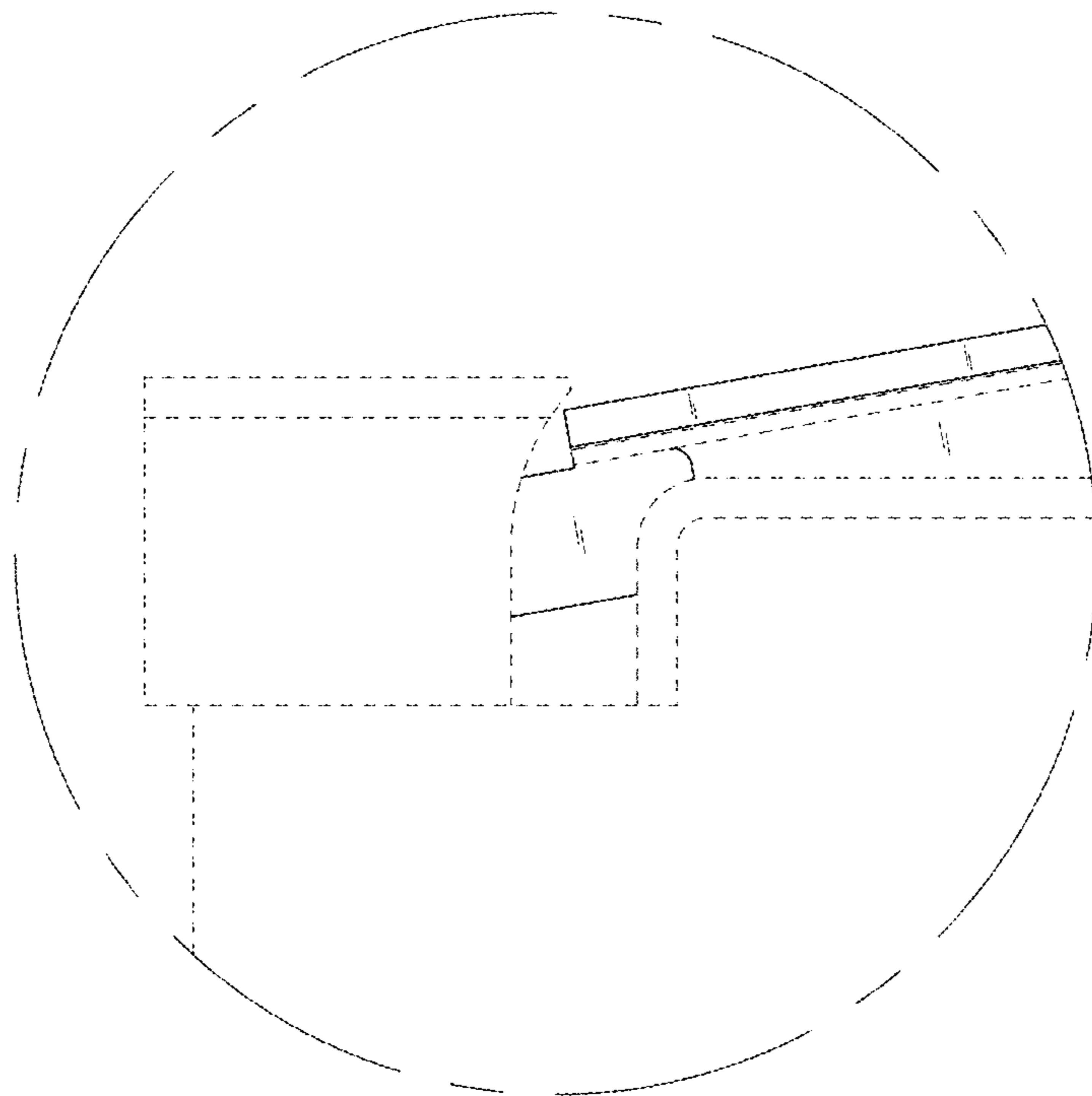


FIG. 17

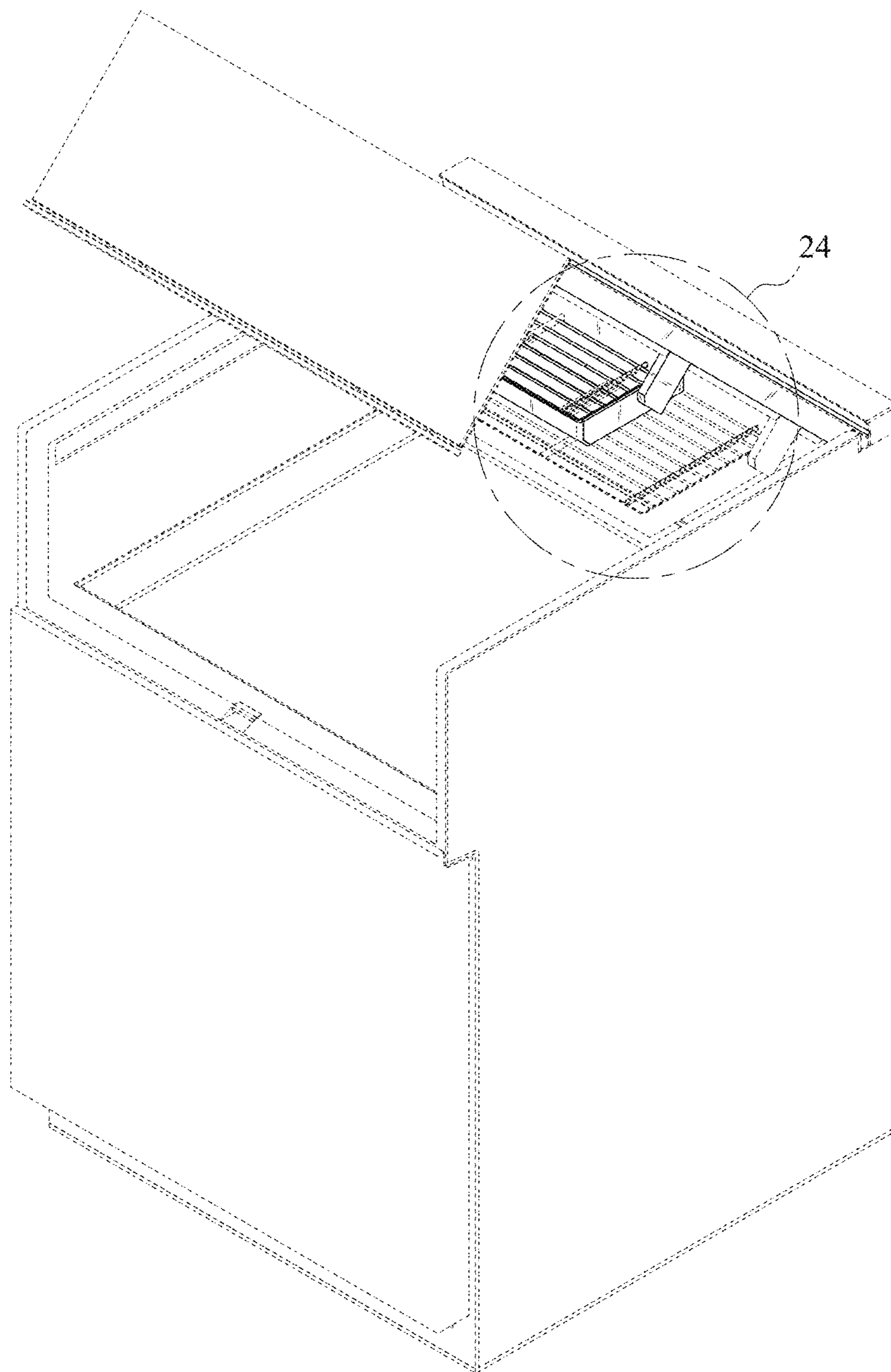


FIG. 18

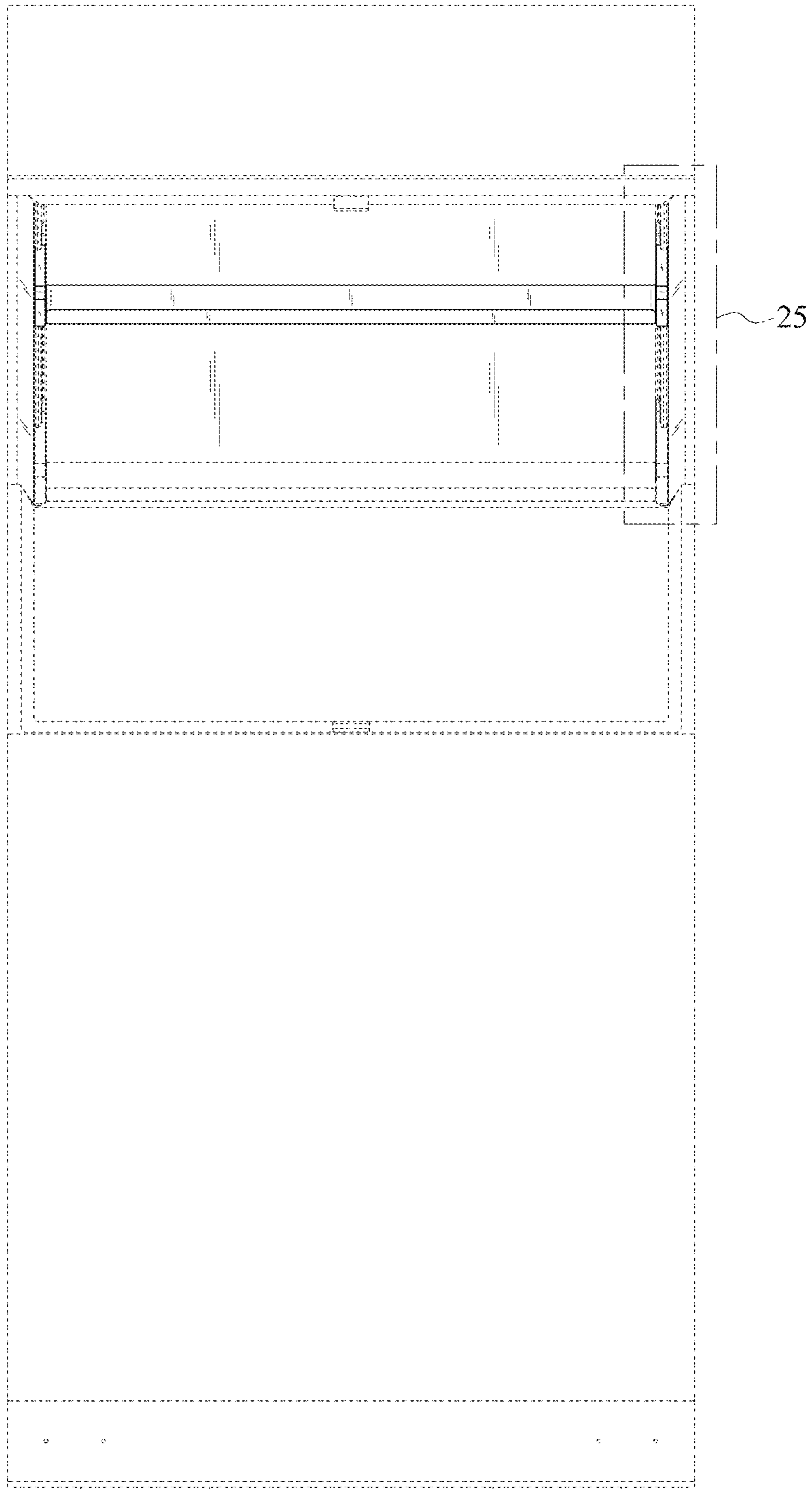


FIG. 19

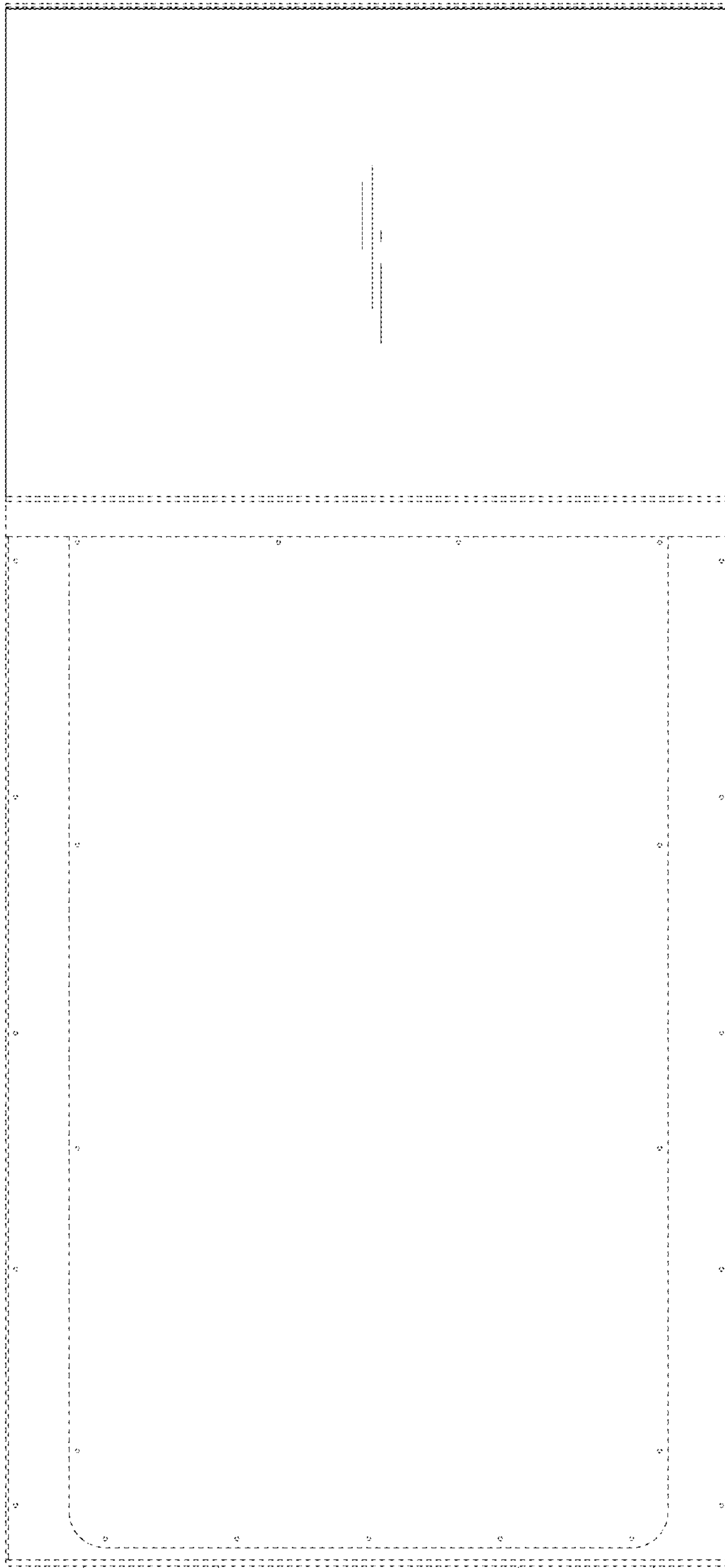


FIG. 20

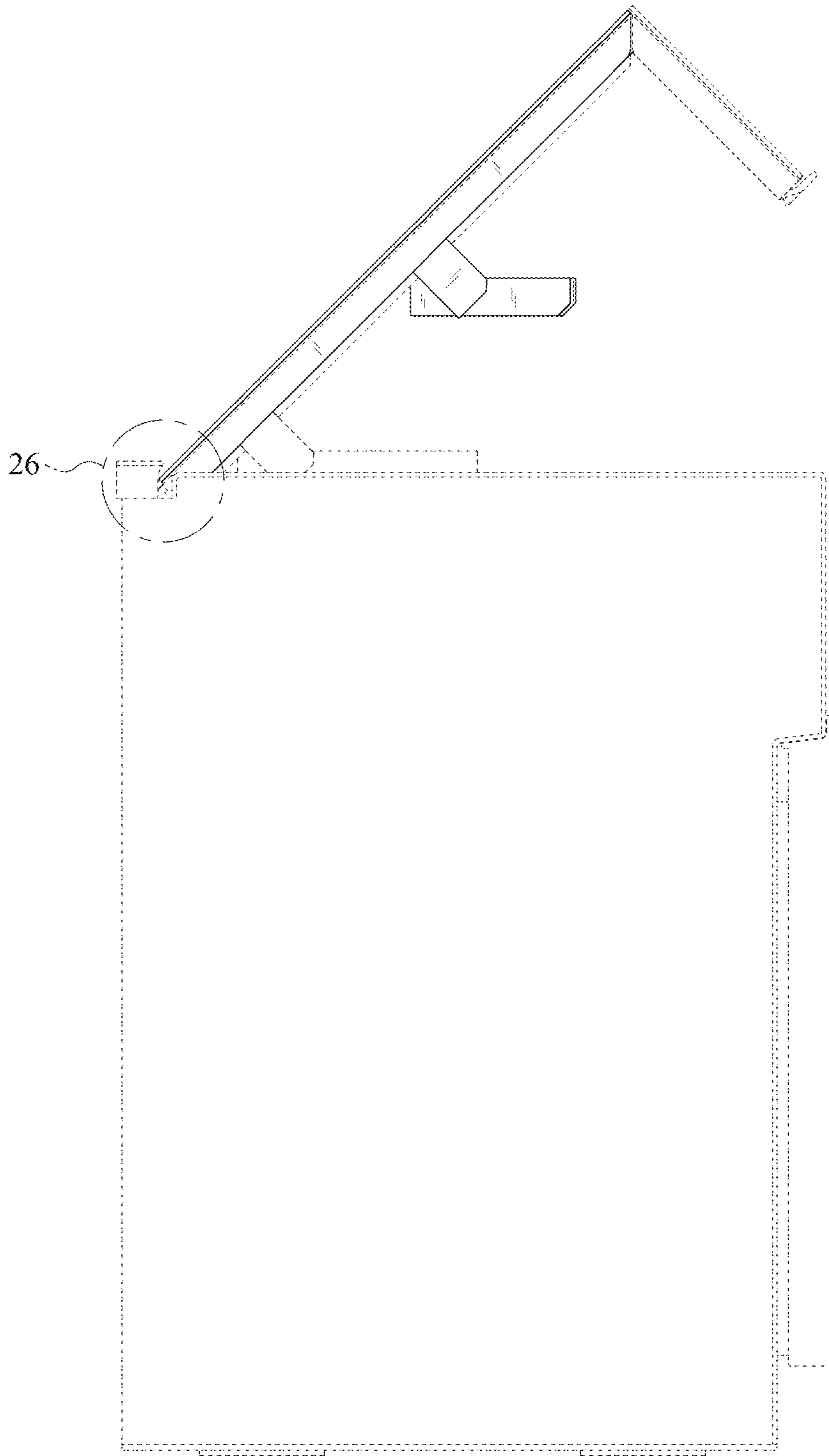


FIG. 21

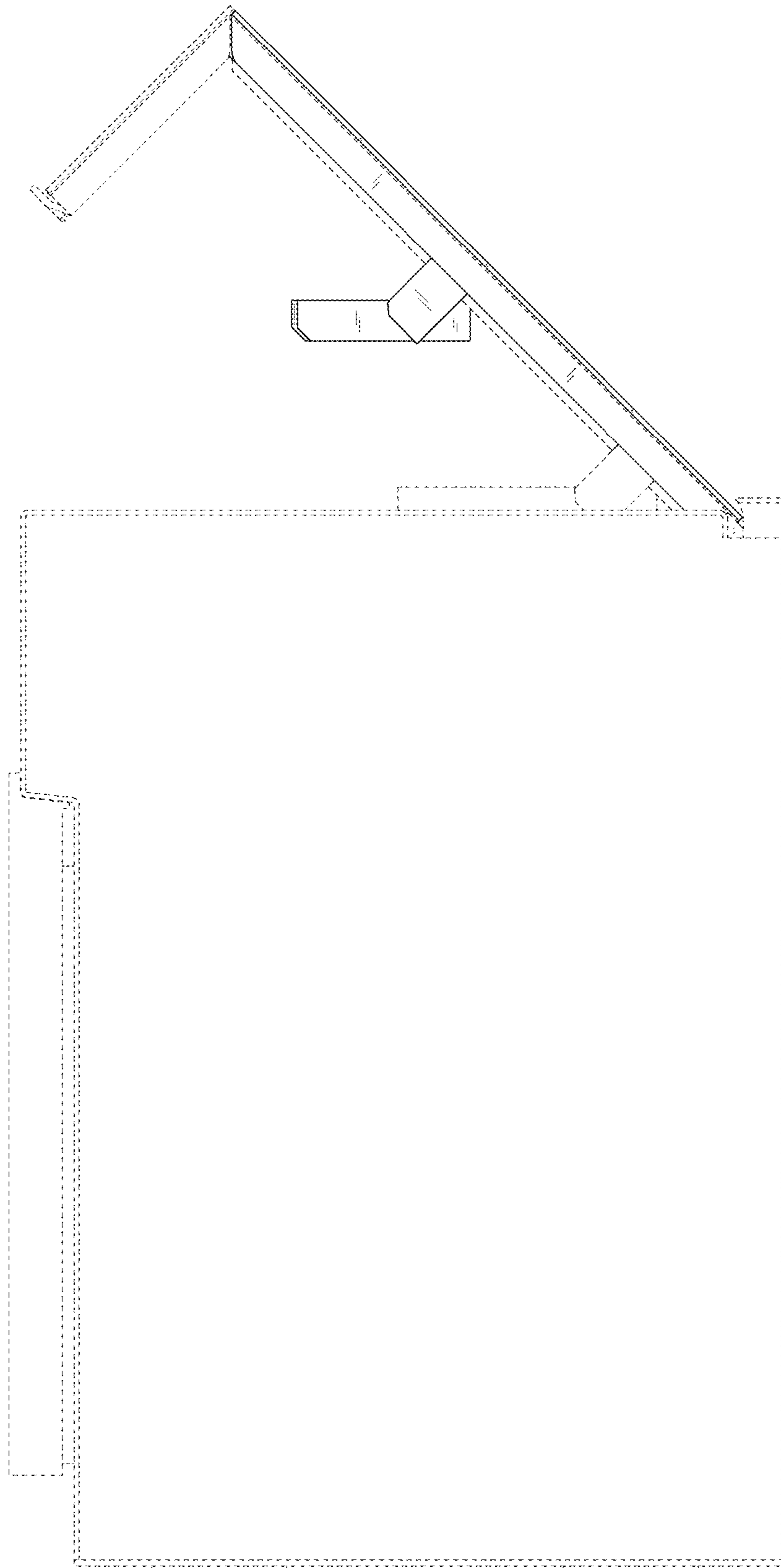


FIG. 22

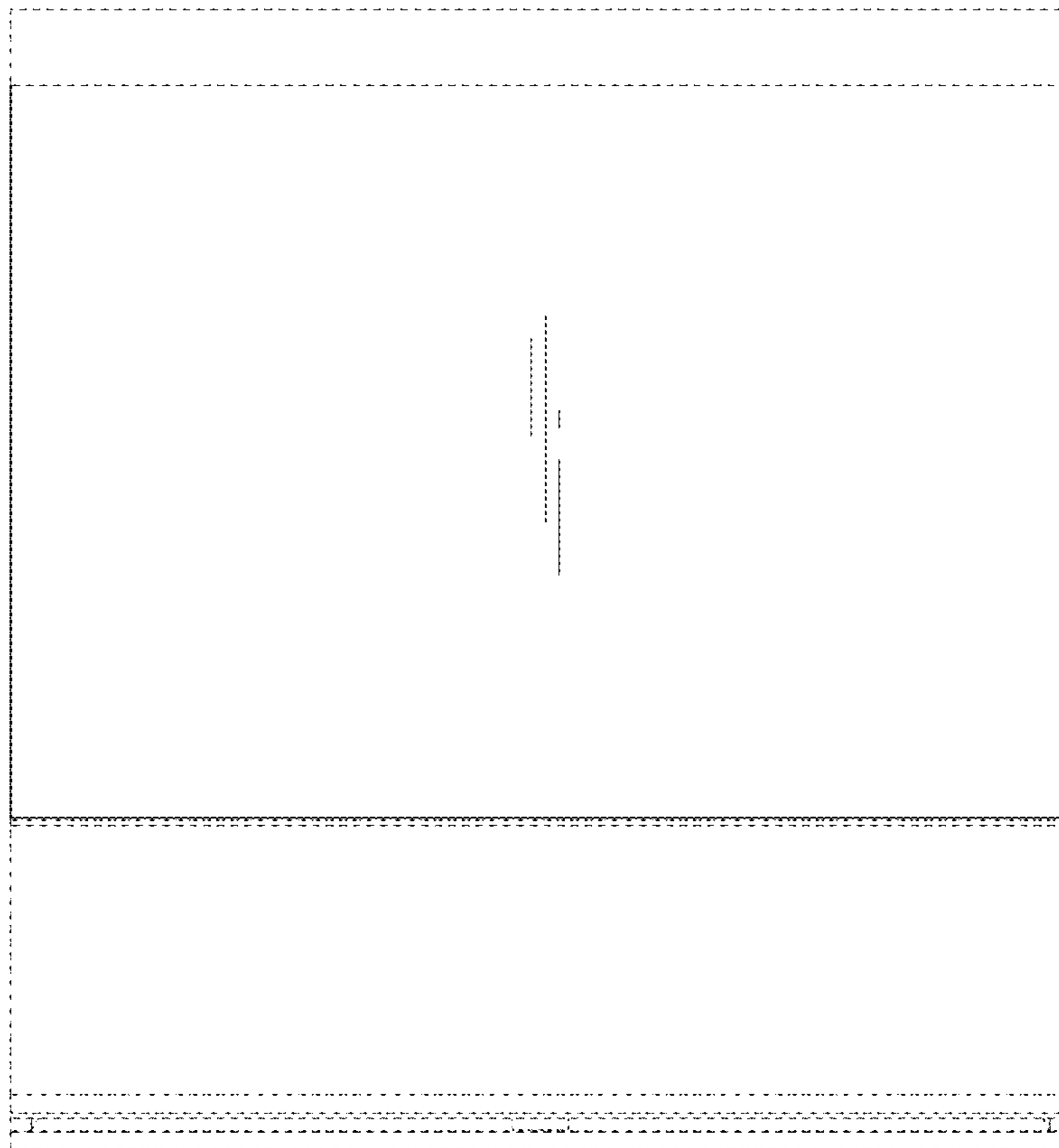


FIG. 23

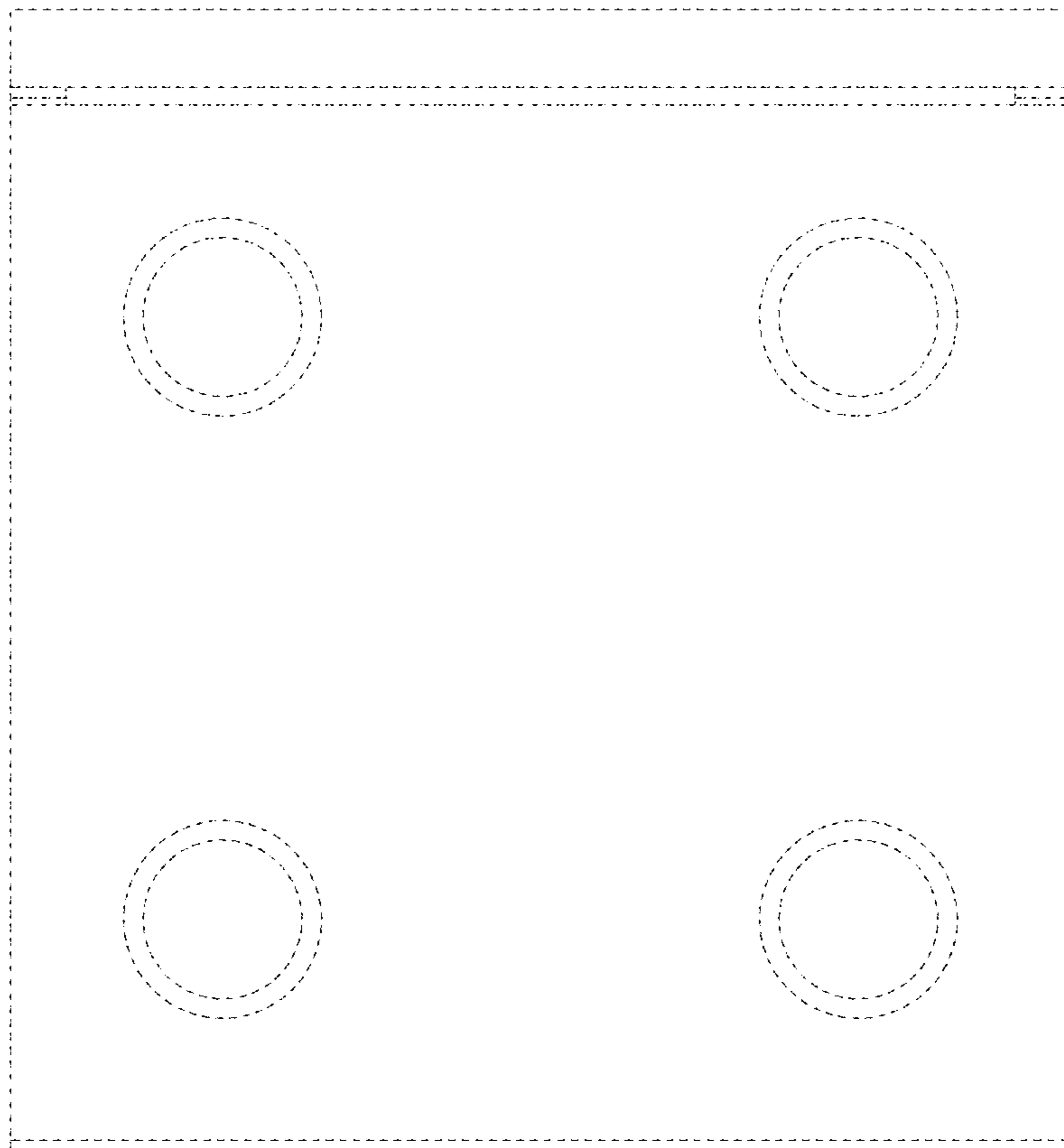


FIG. 24

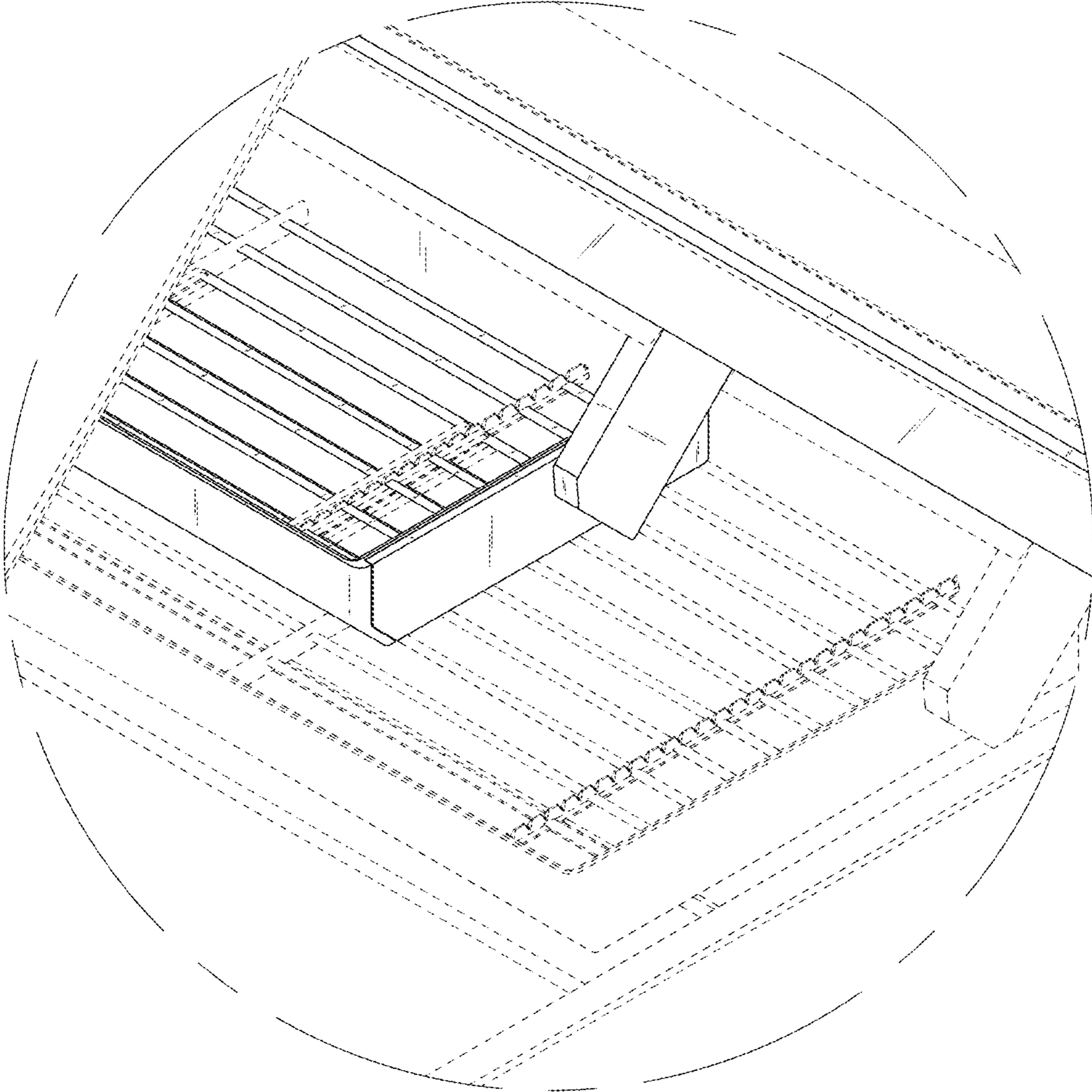


FIG. 25

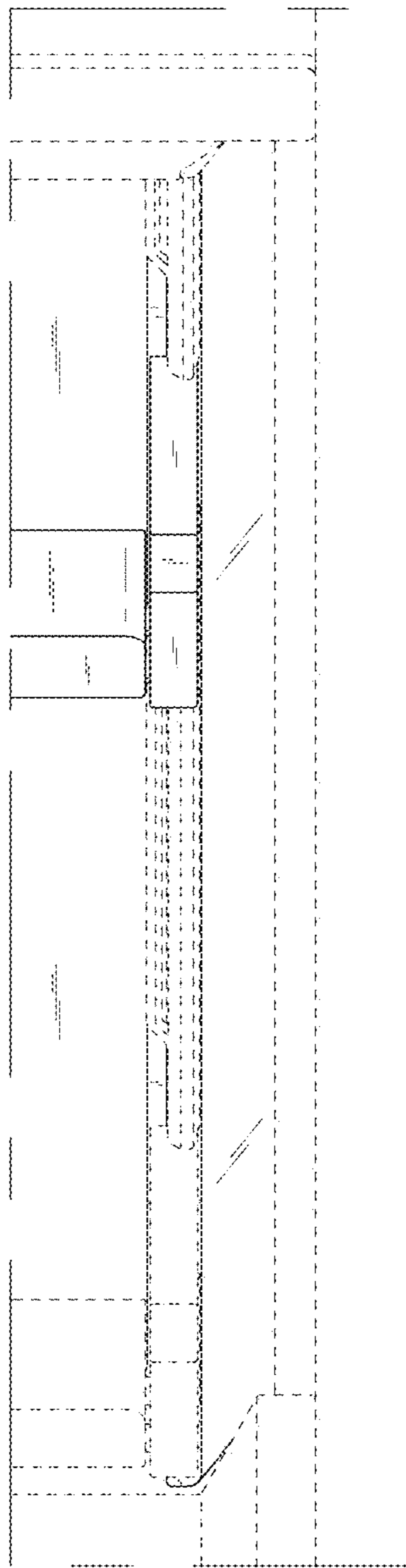


FIG. 26

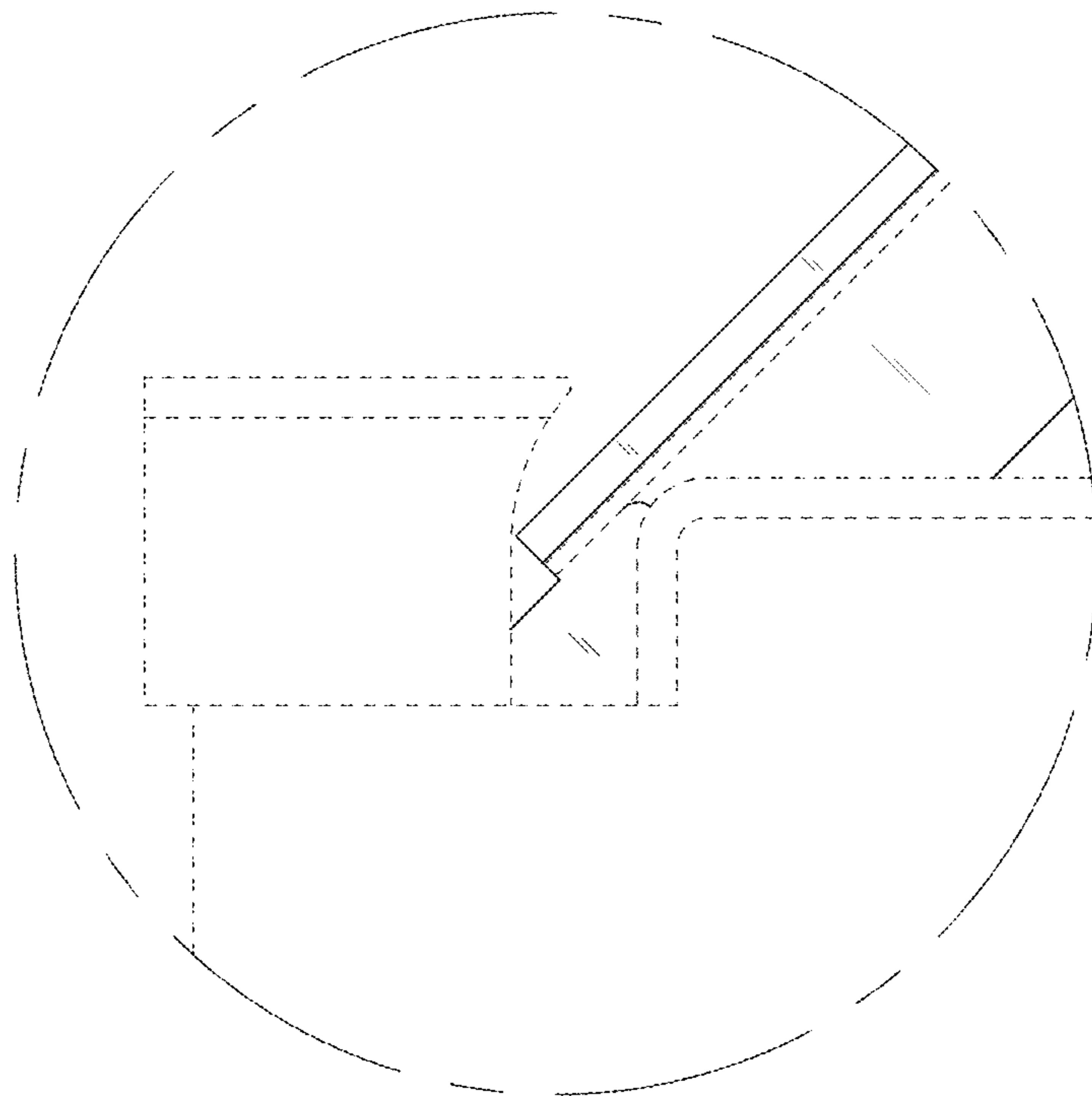


FIG. 27

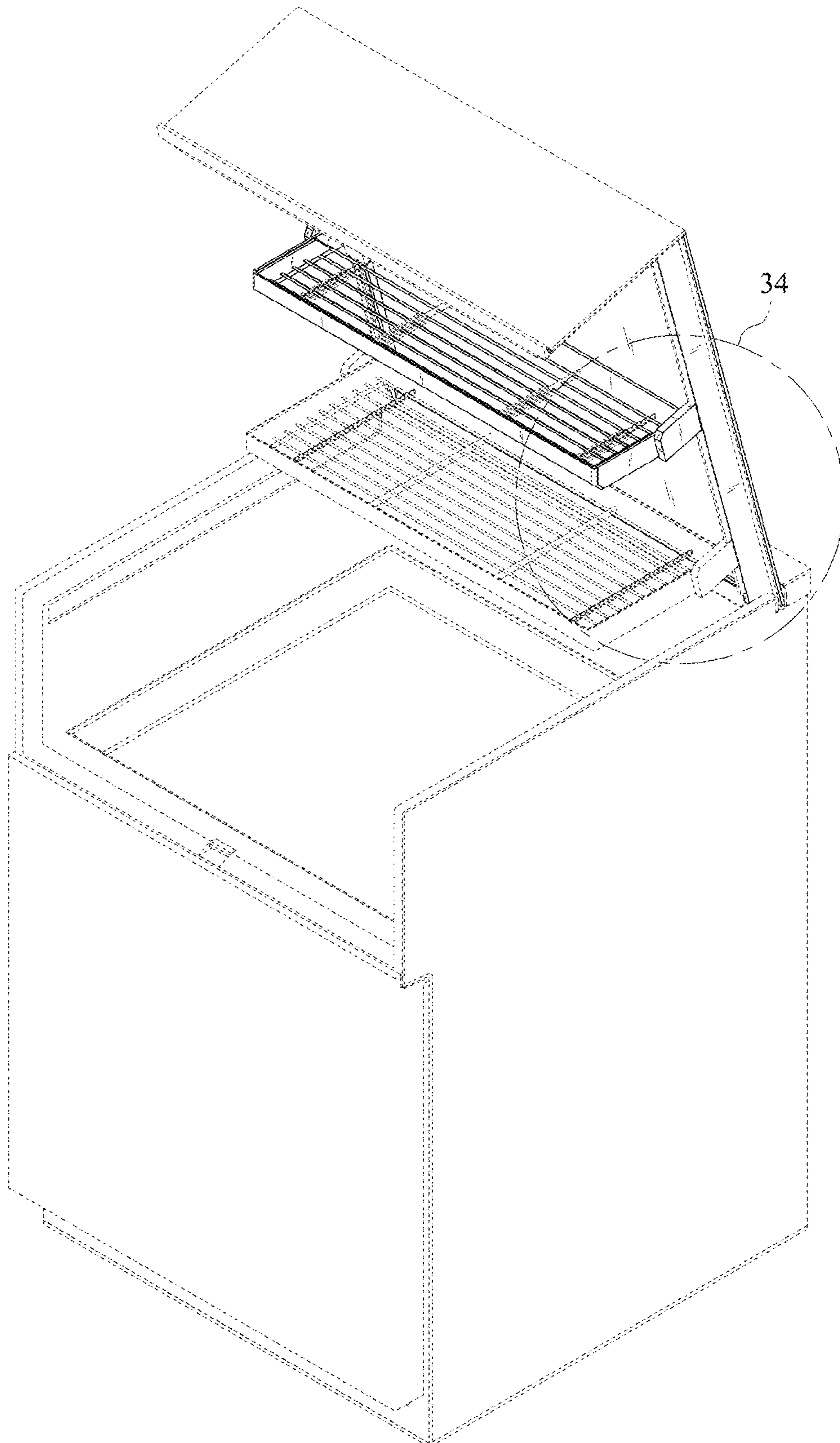


FIG. 28

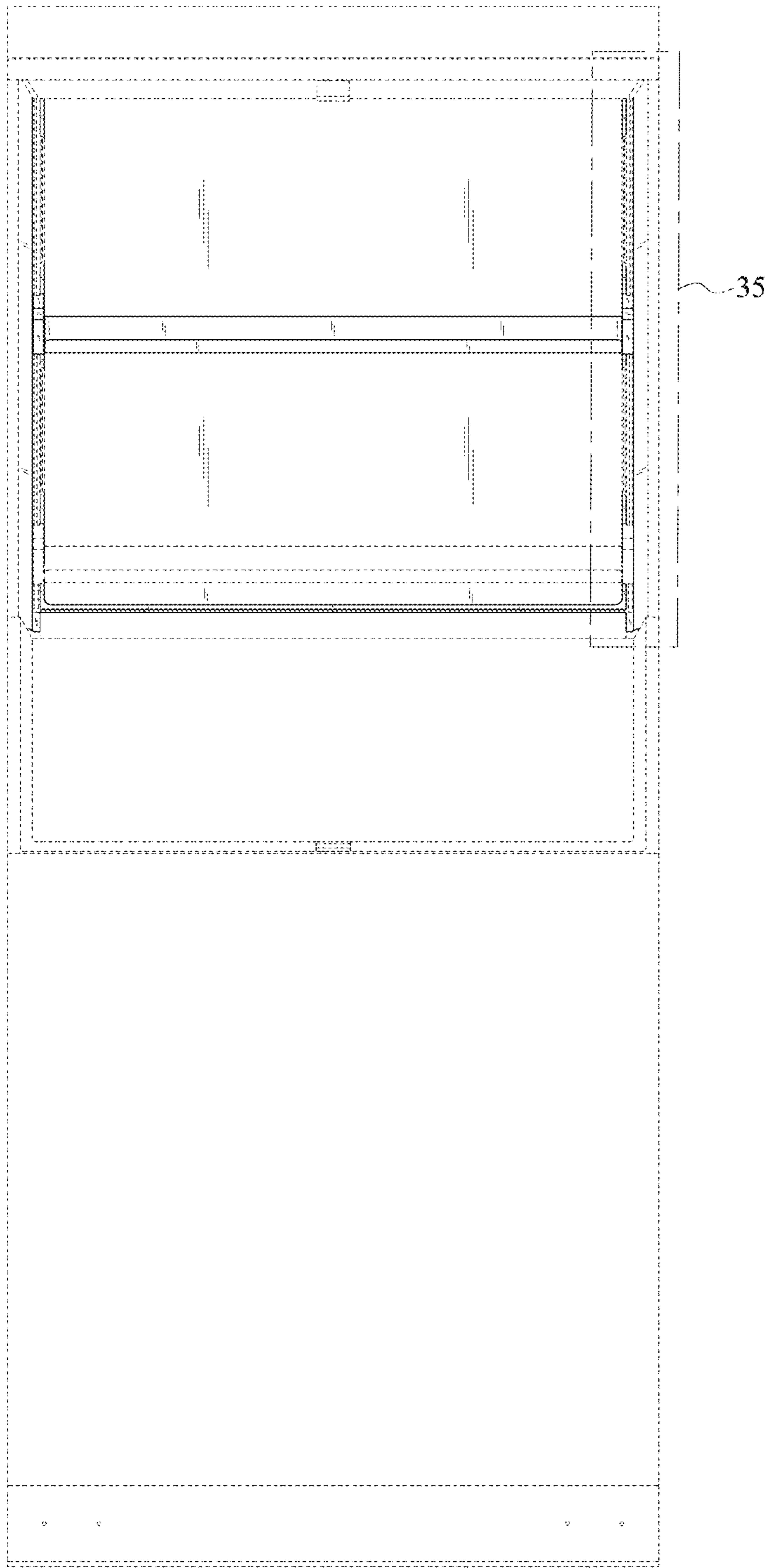


FIG. 29

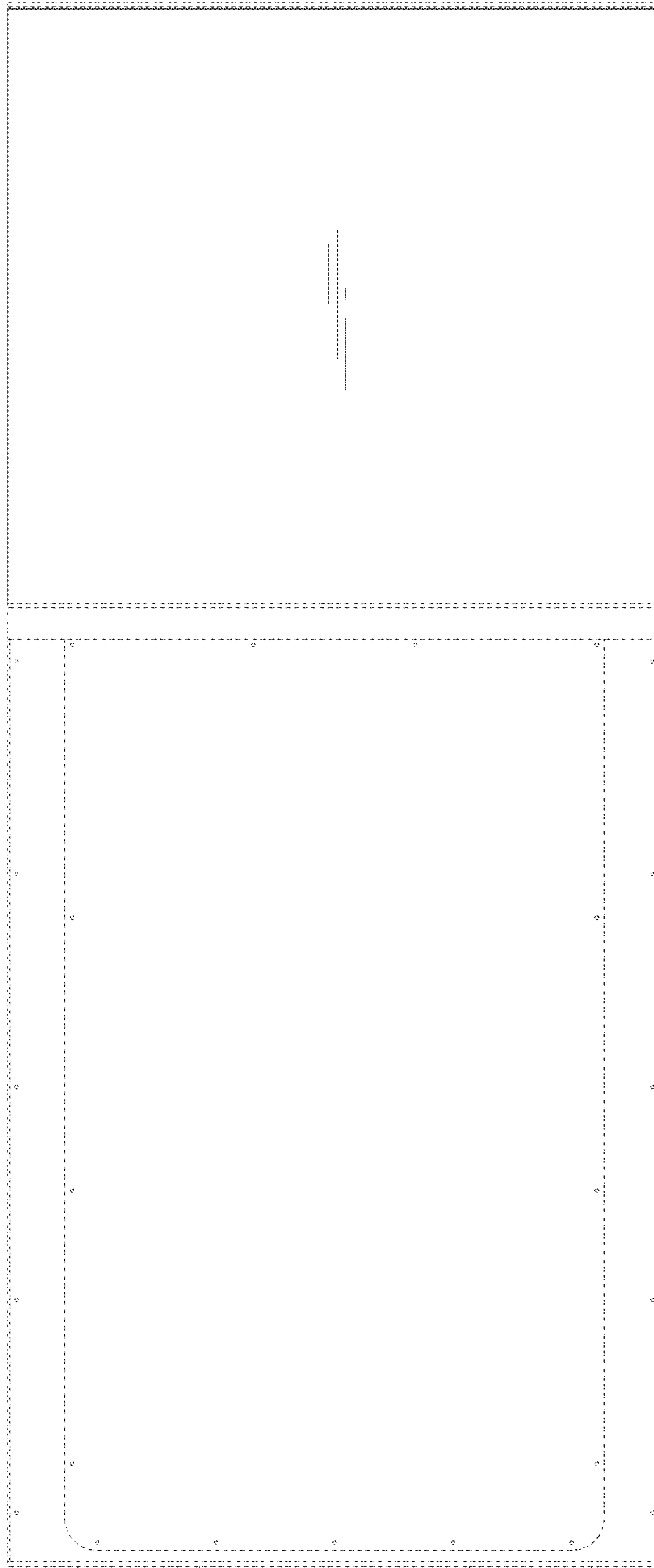


FIG. 30

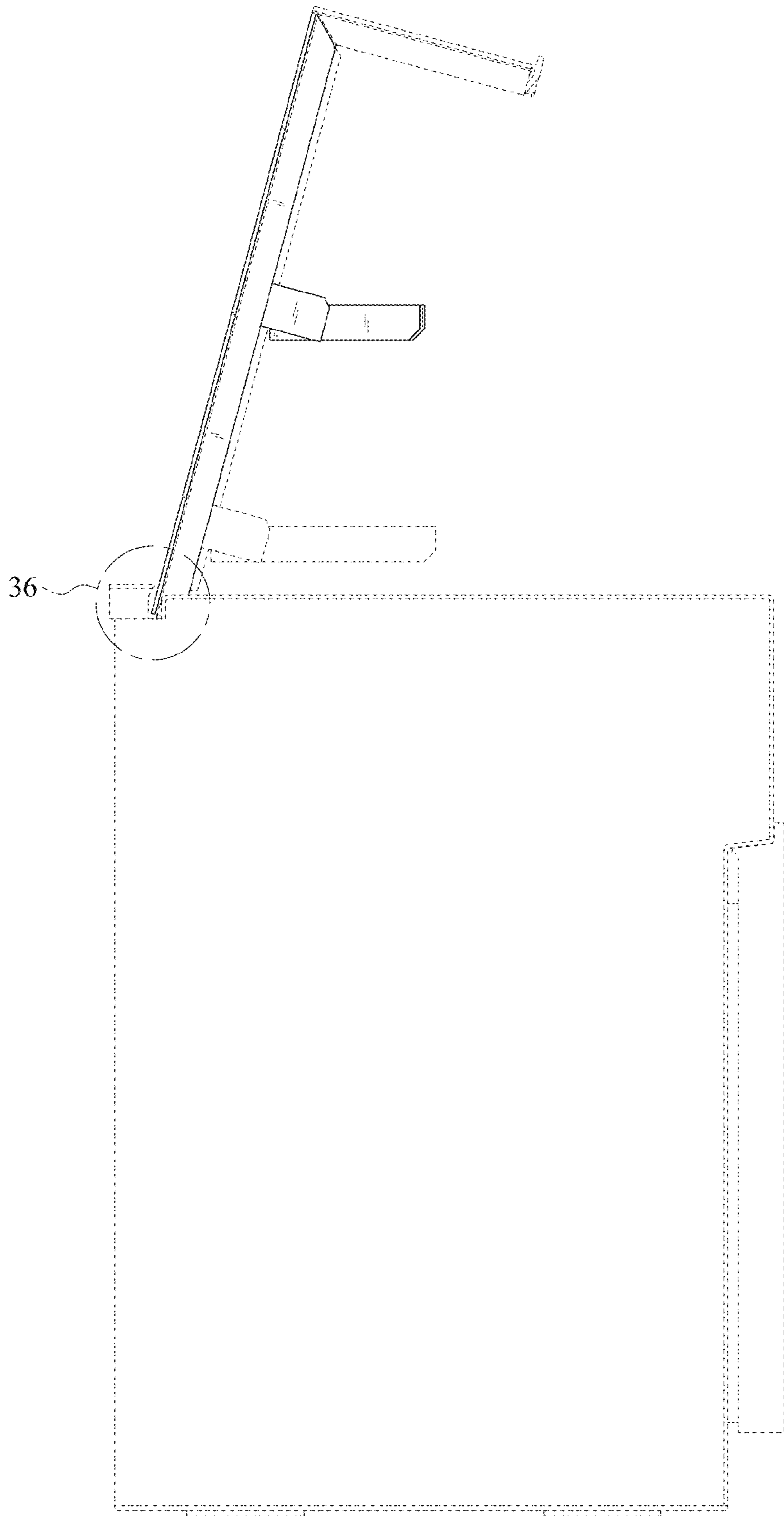


FIG. 31

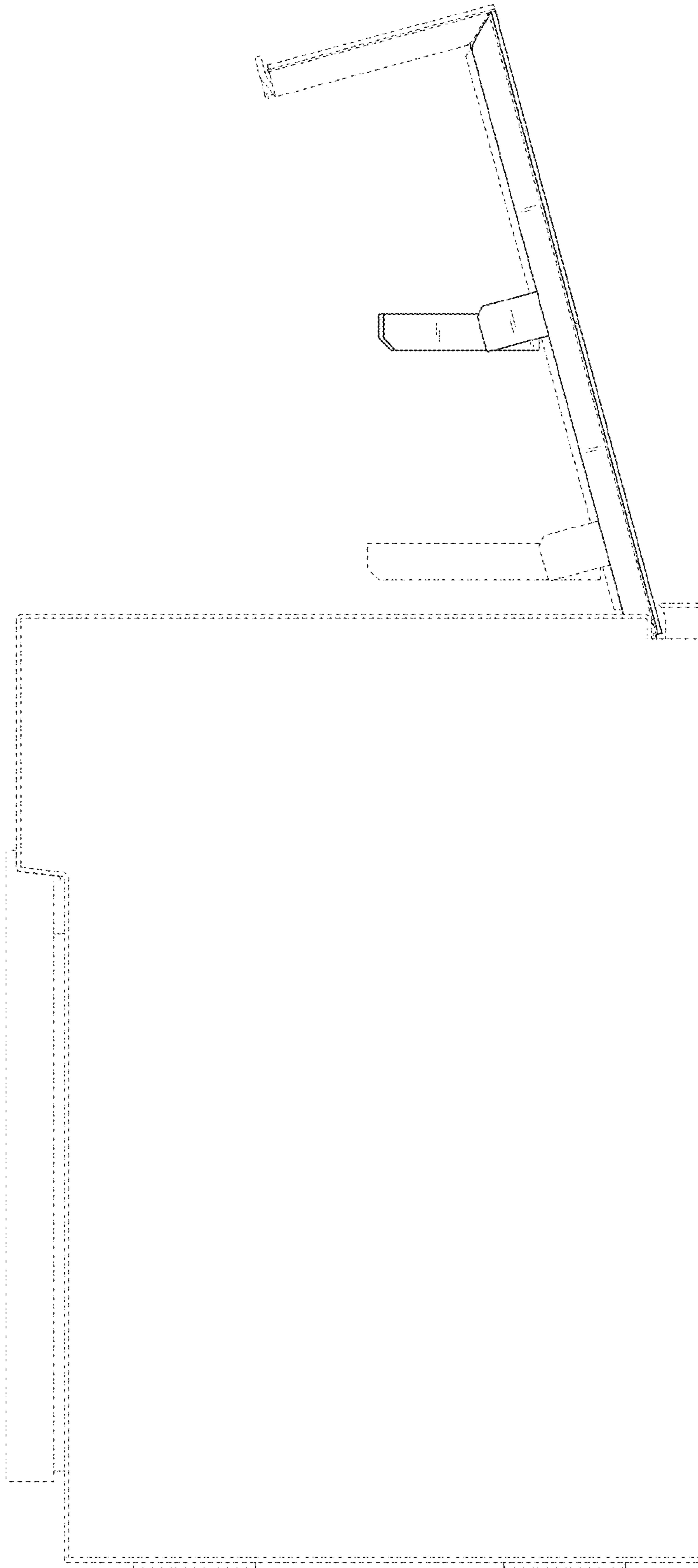


FIG. 32

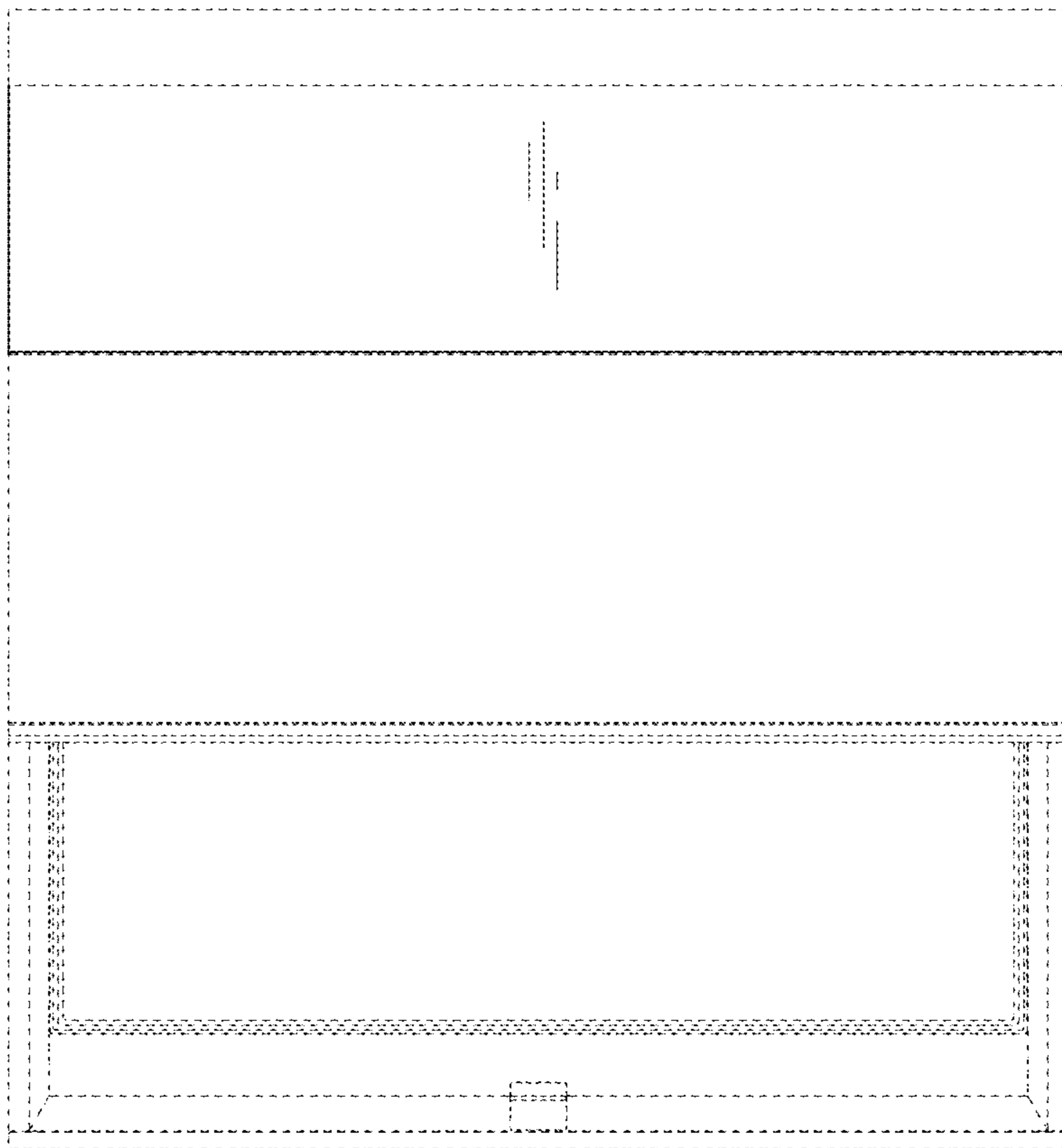


FIG. 33

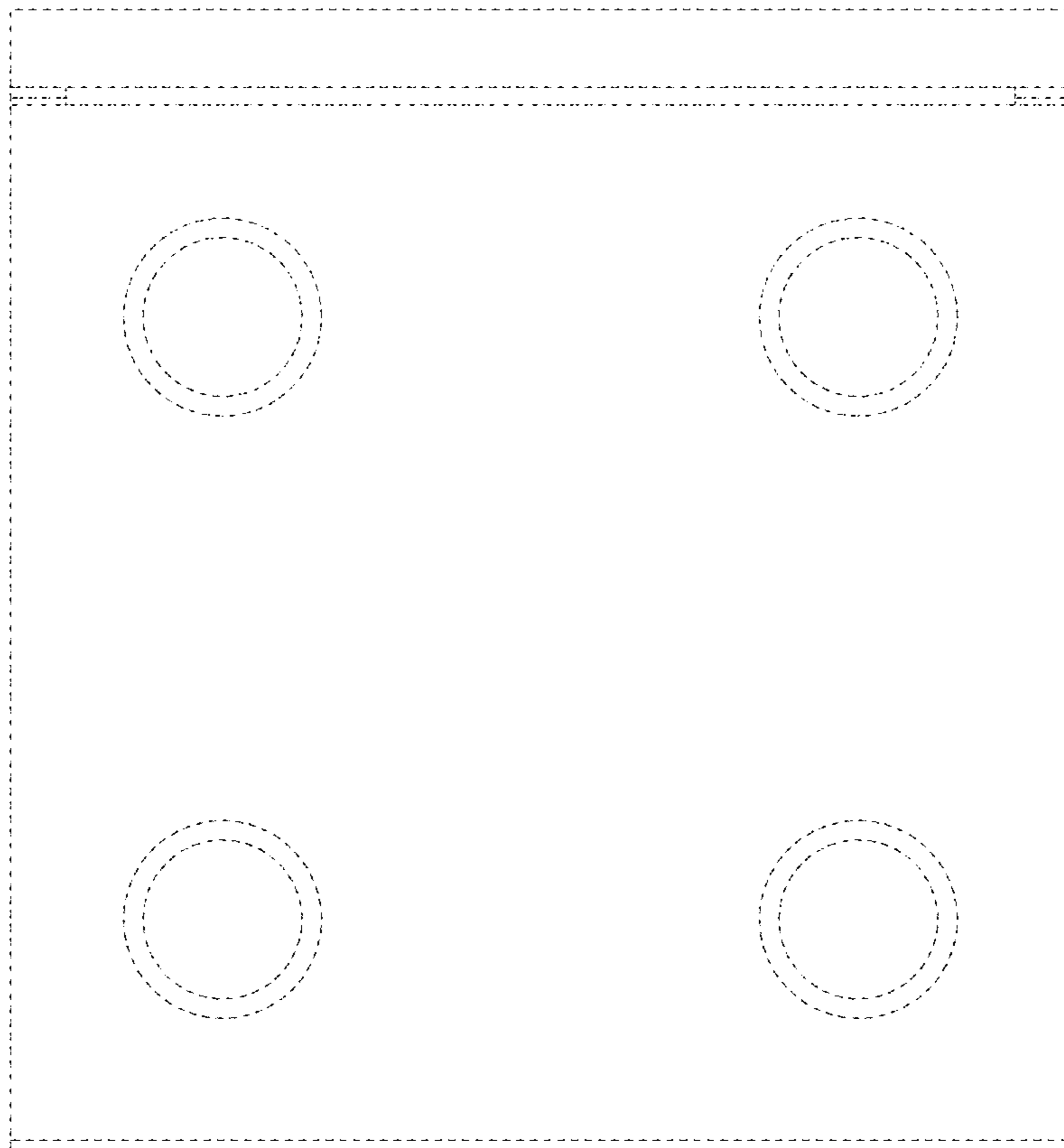


FIG. 34

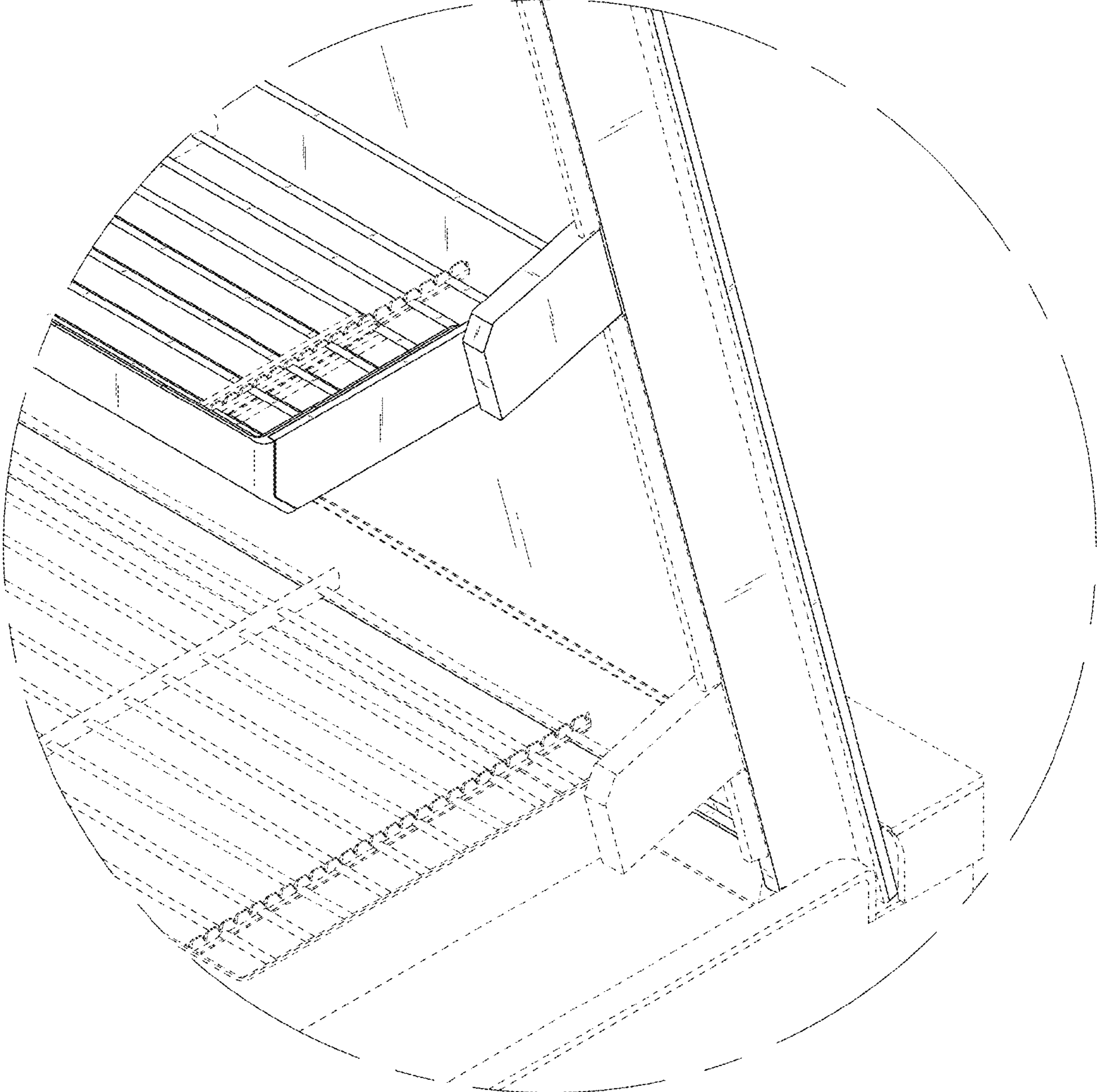


FIG. 35

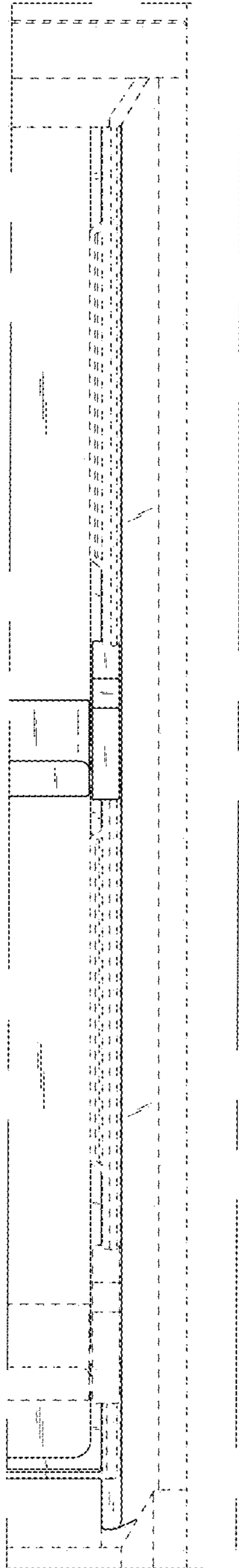


FIG. 36

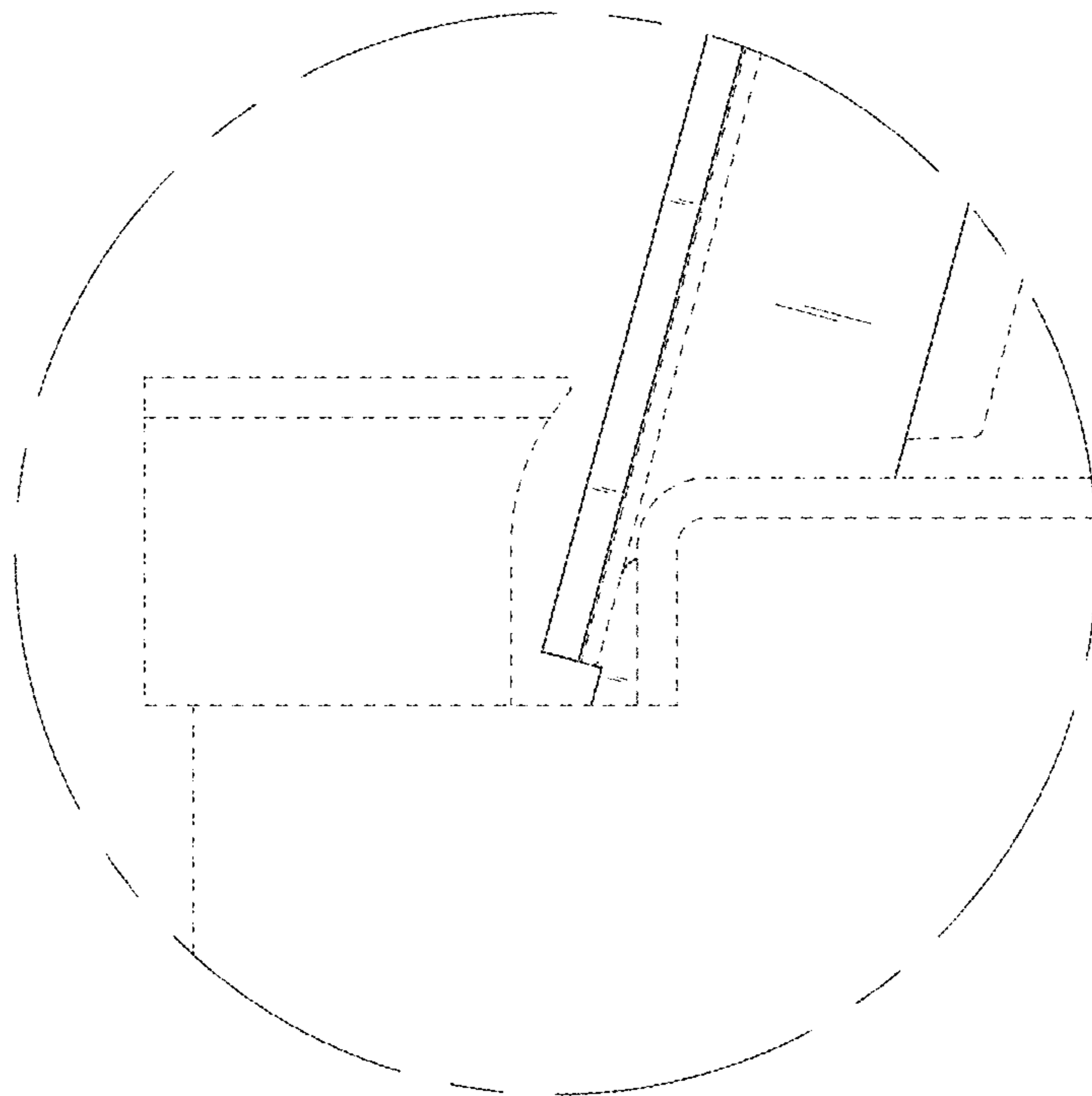


FIG. 37

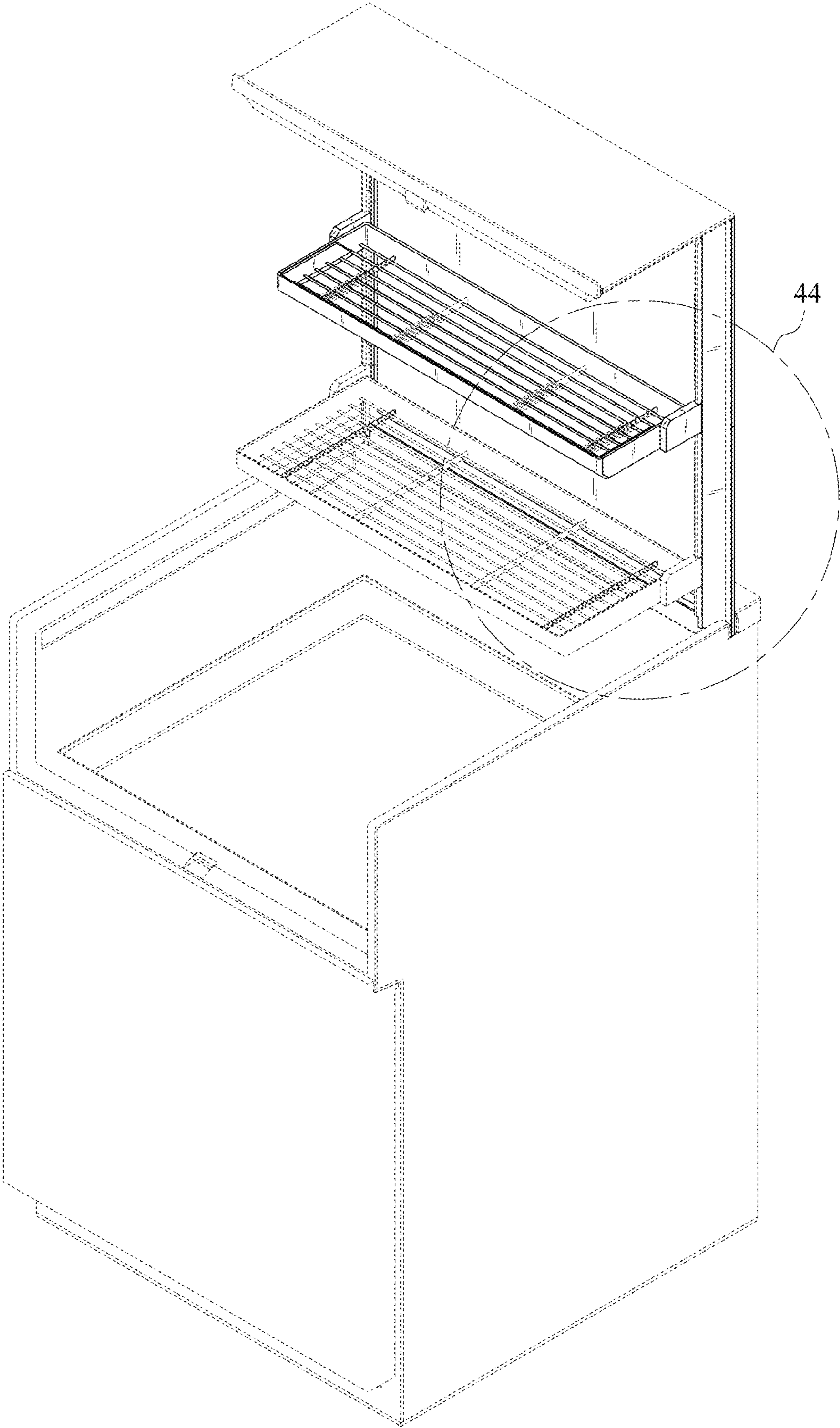


FIG. 38

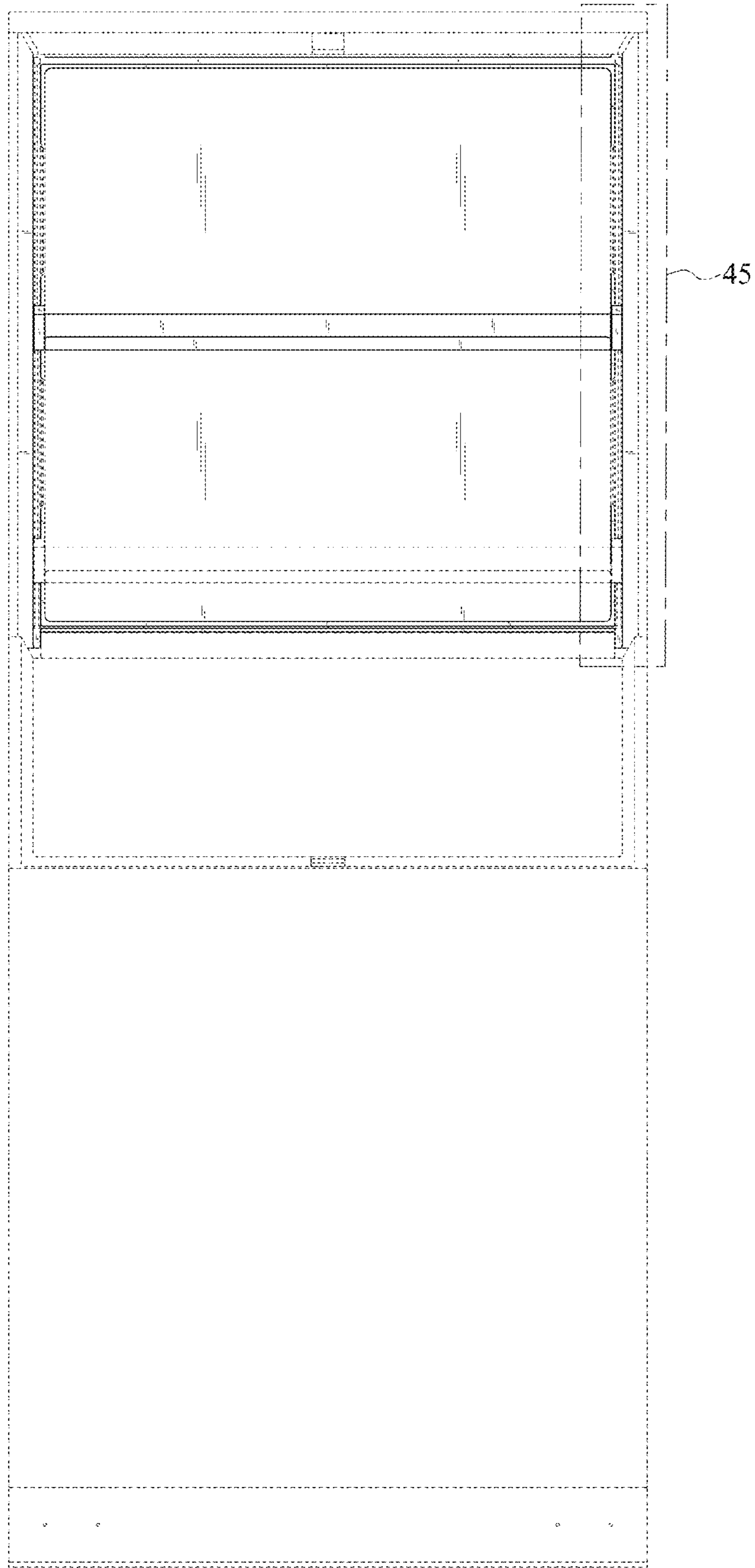


FIG. 39

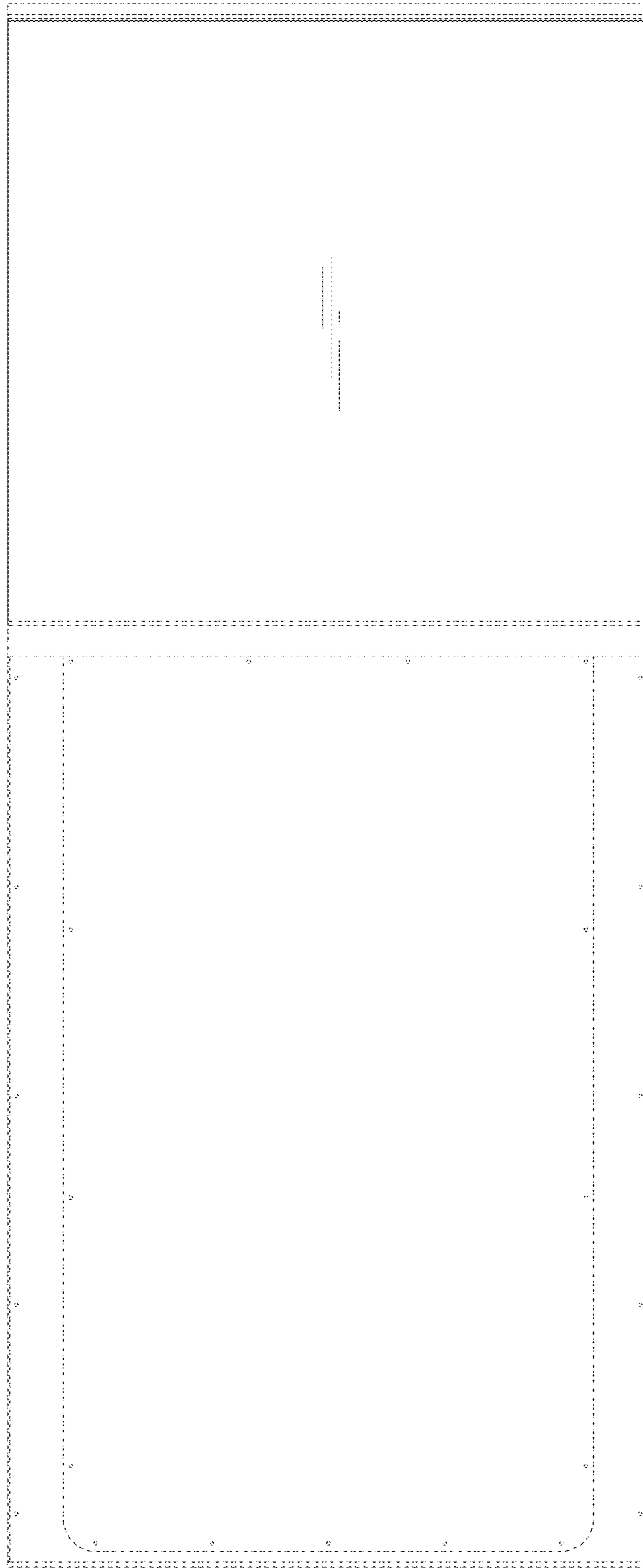


FIG. 40

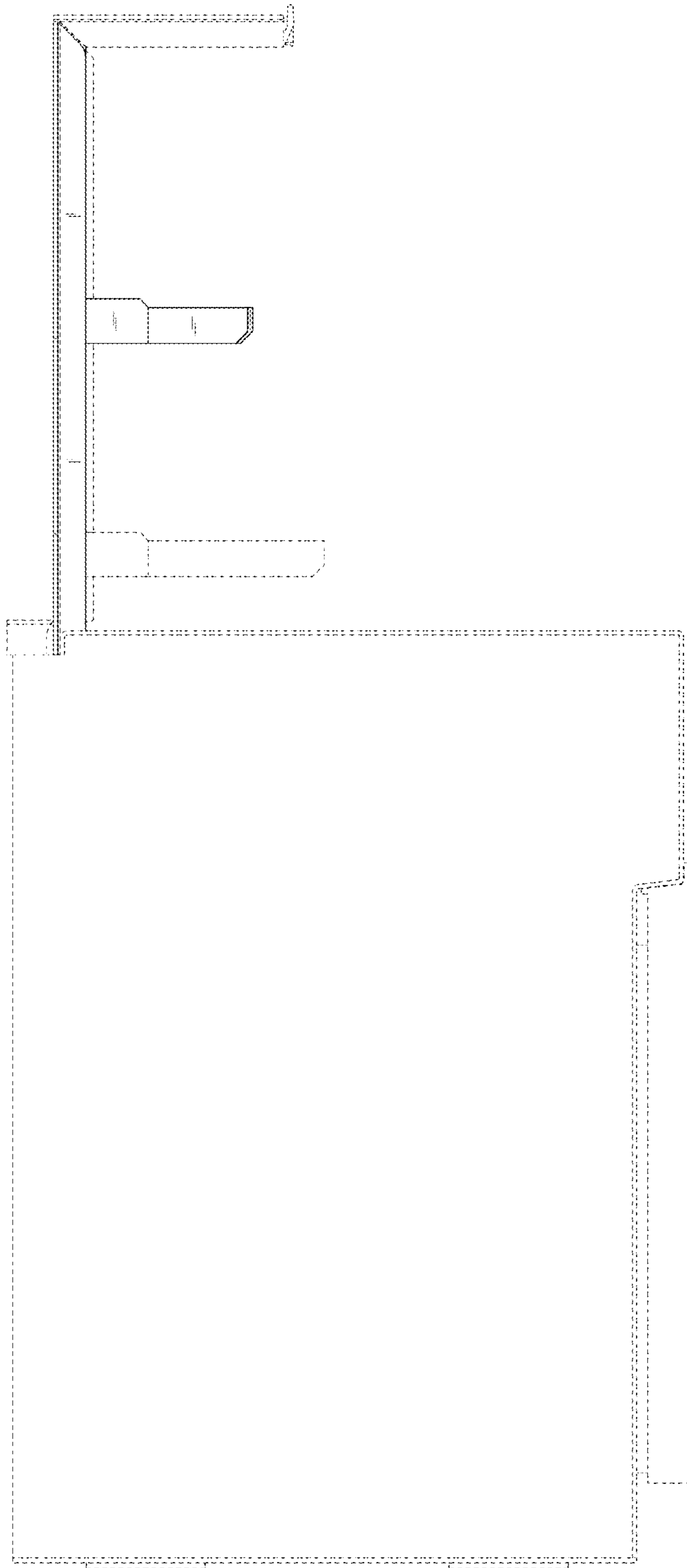


FIG. 41

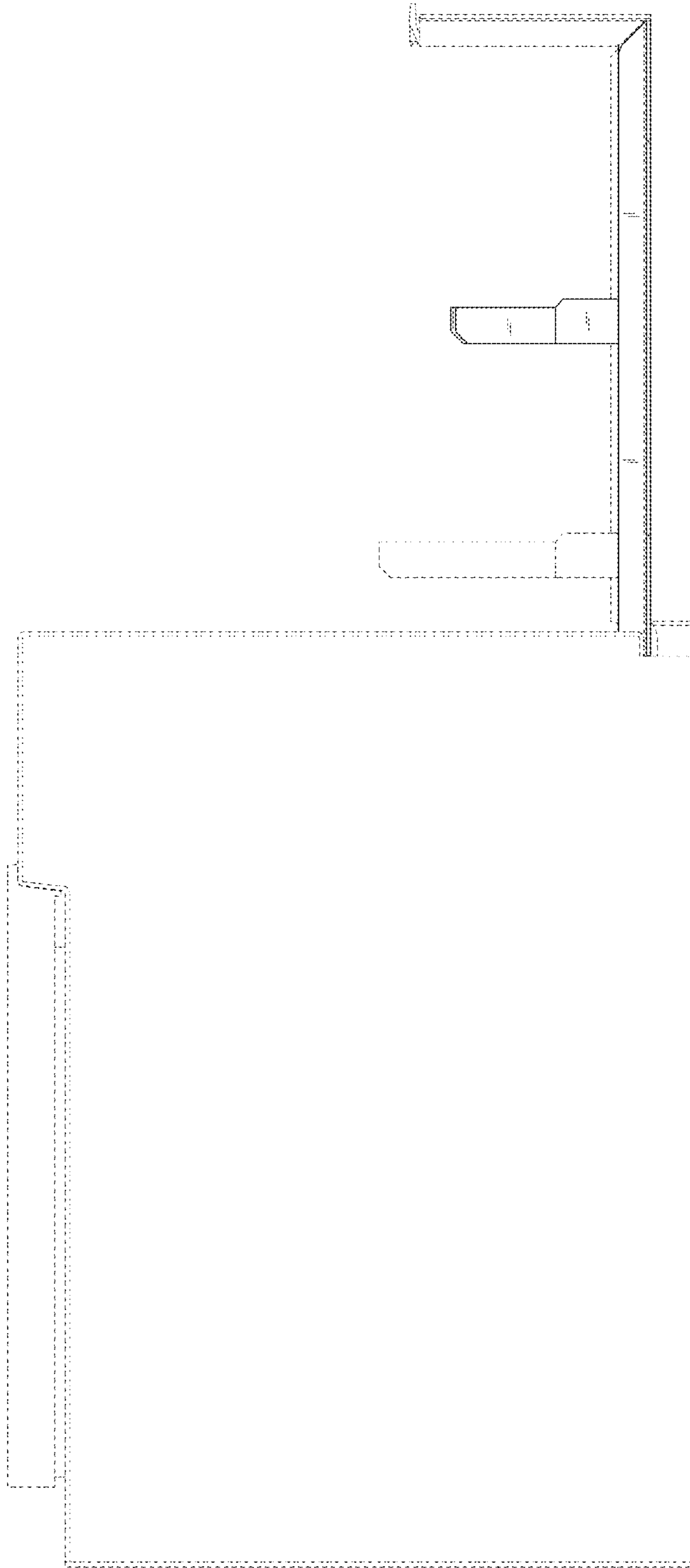


FIG. 42

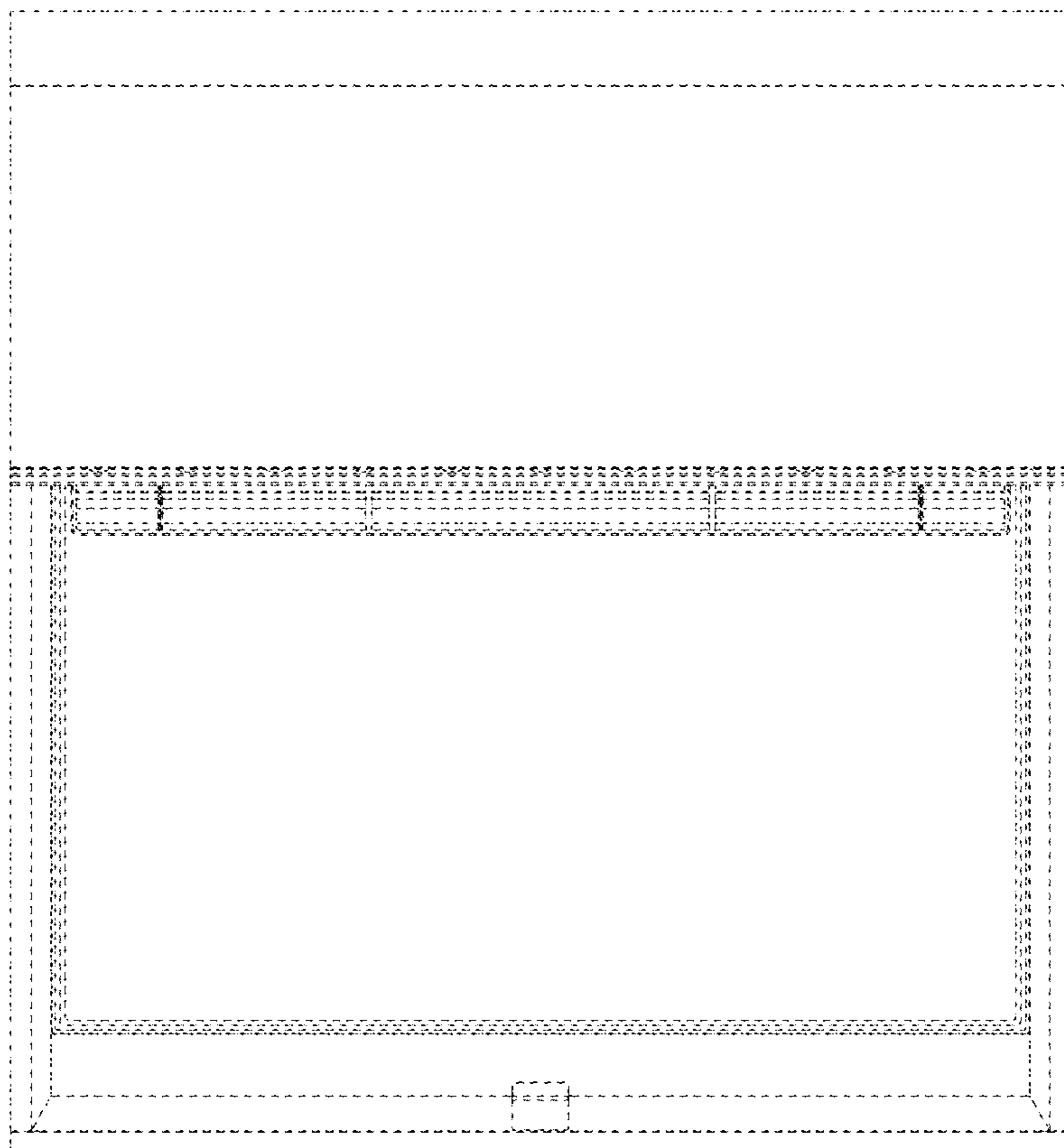


FIG. 43

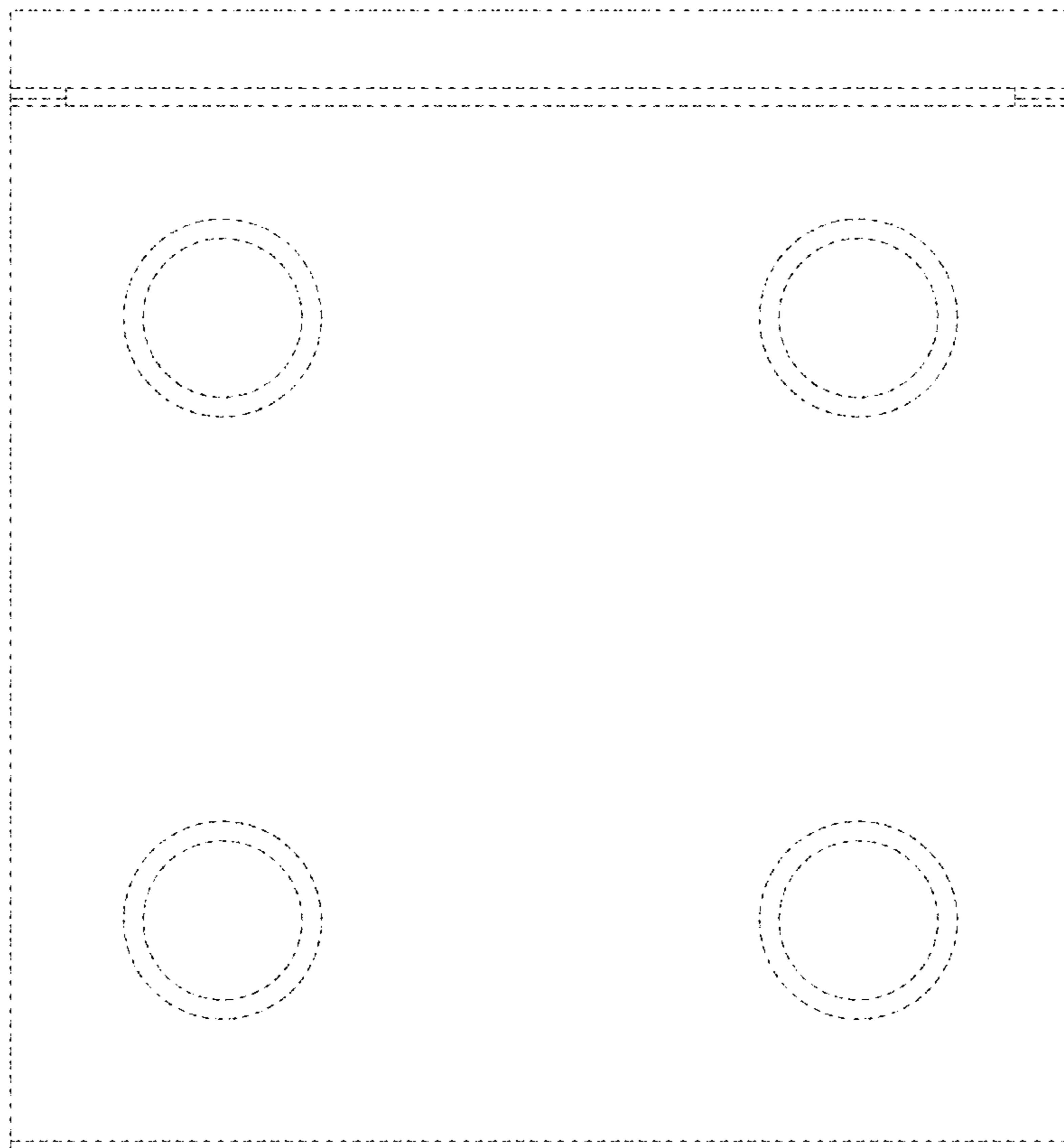


FIG. 44

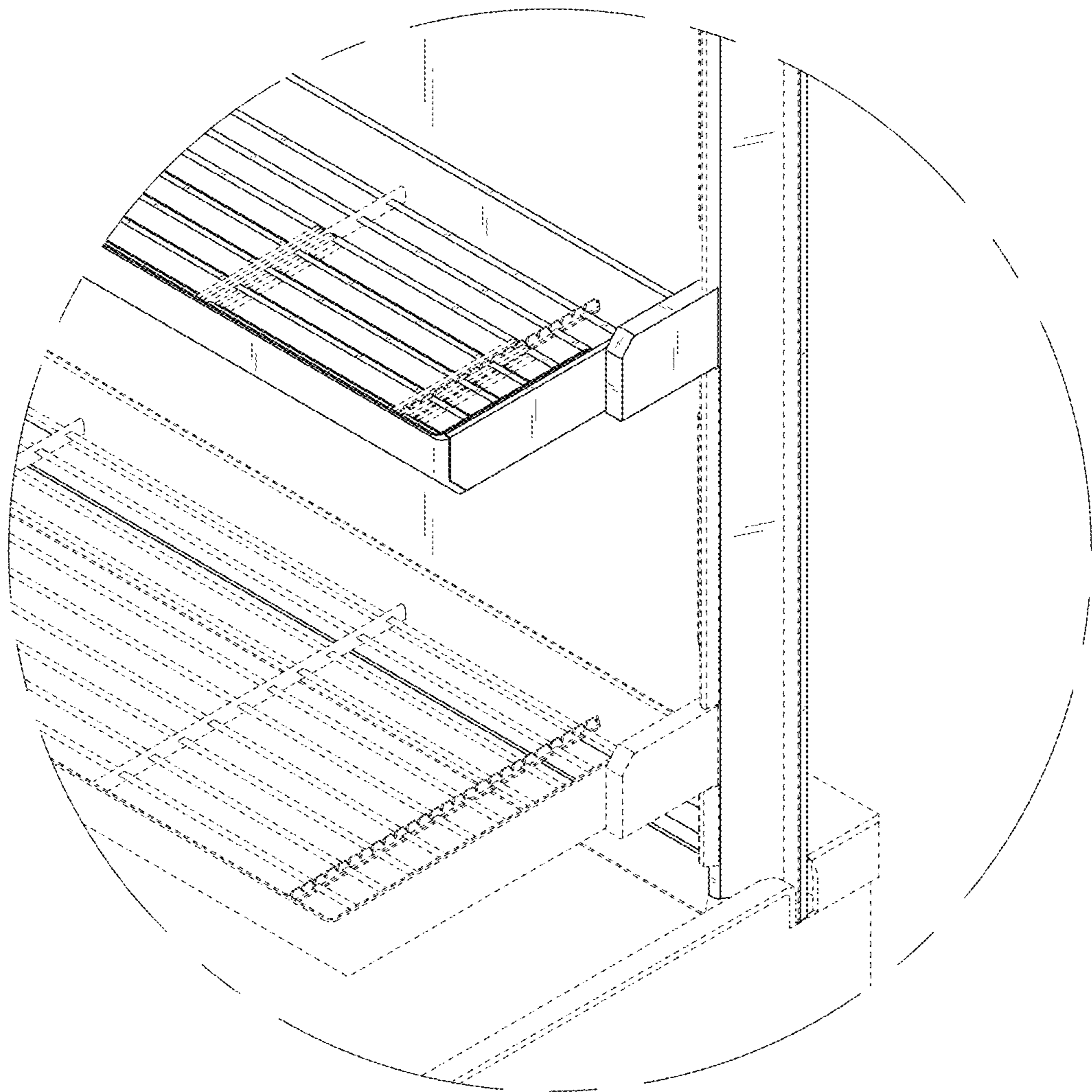


FIG. 45

