



US00D918493S

(12) **United States Design Patent** (10) **Patent No.:** **US D918,493 S**
Chang (45) **Date of Patent:** **** May 4, 2021**

(54) **PET HARNESS**

FOREIGN PATENT DOCUMENTS

(71) Applicant: **Sassy Woof LLC**, Sterling, VA (US)

WO D084296-001 7/2014
WO D084238-003 8/2014

(72) Inventor: **Christine N. Chang**, Sterling, VA (US)

OTHER PUBLICATIONS

(73) Assignee: **Sassy Woof LLC**, Sterling, VA (US)

“Sassy Woof: Adjustable Dog Harness”. Found online Feb. 19, 2021 at amazon.com. Reference dated Aug. 22, 2019. Retrieved from [https://www.amazon.com/Sassy-Woof-Adjustable-Harness-Medium/dp/B07WHV9BWJ/ref=sr_1_1?.](https://www.amazon.com/Sassy-Woof-Adjustable-Harness-Medium/dp/B07WHV9BWJ/ref=sr_1_1?)*

(**) Term: **15 Years**

(21) Appl. No.: **29/758,952**

(Continued)

(22) Filed: **Nov. 19, 2020**

(51) **LOC (13) Cl.** **30-04**

Primary Examiner — Kendra Leslie Hamilton

(52) **U.S. Cl.**

(74) *Attorney, Agent, or Firm* — Morgan, Lewis & Bockius LLP

USPC **D30/152**

(58) **Field of Classification Search**

USPC D30/144, 145, 151, 152, 154;
D29/101.1, 101.3, 101.4; D24/190

CPC A01K 27/002

See application file for complete search history.

(57) **CLAIM**

The ornamental design for a pet harness, as shown and described.

DESCRIPTION

(56) **References Cited**

U.S. PATENT DOCUMENTS

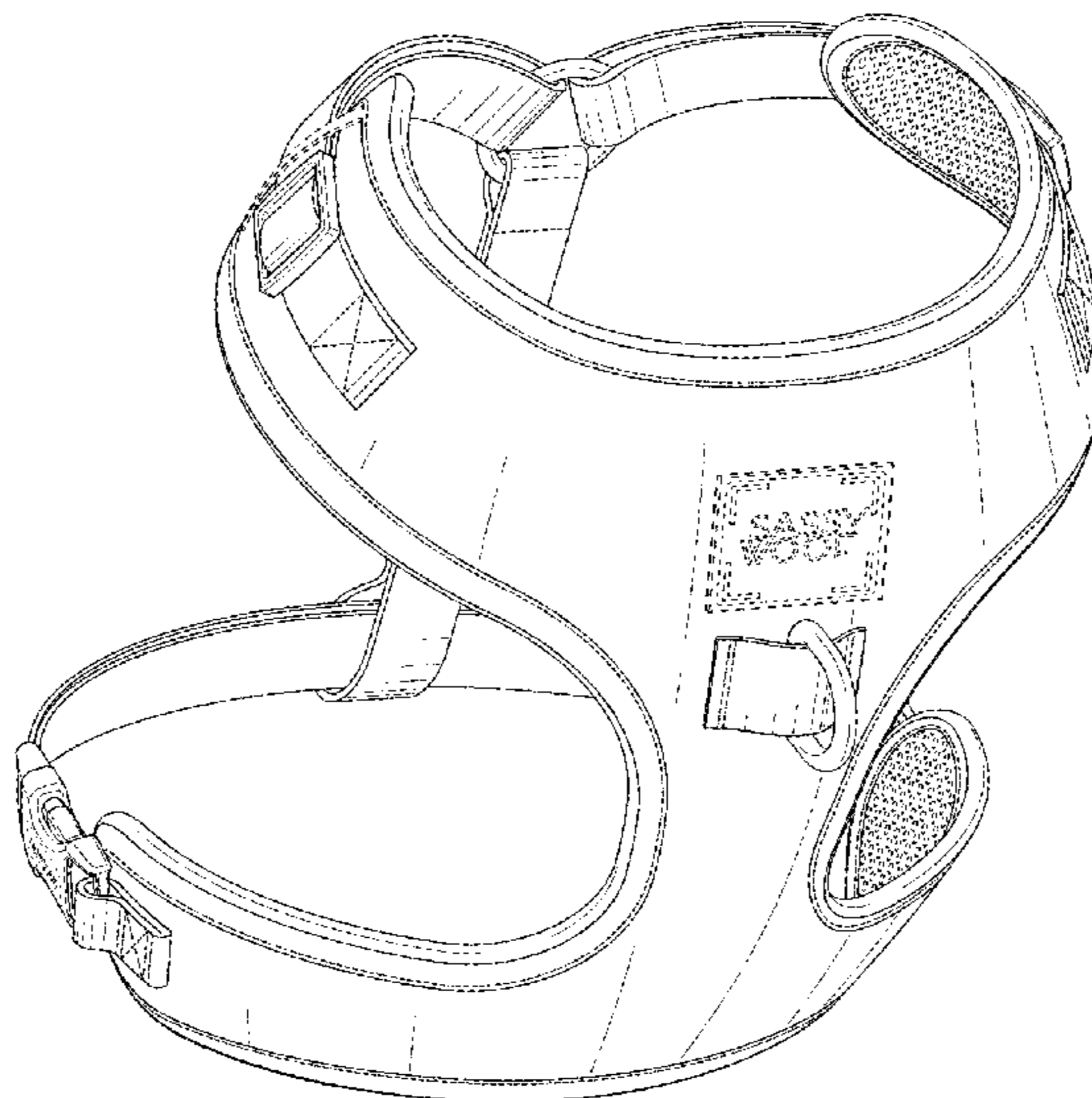
5,611,298	A *	3/1997	Sporn	A01K 27/002
					119/792
5,913,285	A *	6/1999	Pritchard	B60R 22/10
					119/771
6,637,377	B2	10/2003	Lobanoff et al.		
7,387,087	B2	6/2008	Lady		
D591,011	S *	4/2009	Madere	D30/144
D621,561	S	8/2010	Siklosi		
7,886,699	B2	2/2011	Lady		
D652,581	S *	1/2012	Evans	D30/152
8,166,924	B2	5/2012	Cho		
D664,310	S	7/2012	Ito		
8,261,699	B2	9/2012	Cho		
D677,841	S	3/2013	Gibbs		
8,459,210	B2	6/2013	Cho		
D688,011	S	8/2013	Gee		
D734,564	S	7/2015	Broder		
D764,719	S	8/2016	Broder		

(Continued)

FIG. 1 is a top, front, left perspective view of a pet harness showing my new design in a condition of use; FIG. 2 is a top, front, left perspective view of the pet harness of FIG. 1; FIG. 3 is a top, rear, right perspective view thereof; FIG. 4 is a front elevational view thereof; FIG. 5 is a rear elevational view thereof; FIG. 6 is a right-side elevational view thereof; FIG. 7 is a left-side elevational view thereof; FIG. 8 is a top plan view thereof; and, FIG. 9 is a bottom plan view thereof.

The broken lines that show strap positioners, the mesh inner surface, and label depict portions of the pet harness that form no part of the claimed design. The broken lines on the pet harness depict stitching and form no part of the claimed design. The broken lines showing a dog in FIG. 1 depict environmental matter and form no part of the claimed design.

1 Claim, 8 Drawing Sheets



(56)

References Cited

U.S. PATENT DOCUMENTS

9,578,857 B2 * 2/2017 Goluboff A01K 13/006
 D791,991 S 7/2017 Brauser
 D798,508 S 9/2017 Yun
 D805,261 S 12/2017 Yun
 D823,556 S * 7/2018 Yun D30/152
 D841,261 S * 2/2019 Backus D30/152
 D862,002 S 10/2019 Wu
 D862,004 S 10/2019 Yun
 D862,803 S 10/2019 Yun
 D878,684 S 3/2020 Zimmermann
 D883,581 S 5/2020 Daly et al.
 D888,348 S 6/2020 Yun
 D907,311 S * 1/2021 Guo D30/152
 D910,245 S * 2/2021 Li D30/152
 2007/0266960 A1 * 11/2007 Mugford A01K 27/002
 119/792
 2010/0116221 A1 5/2010 Falcon-Labry
 2011/0067648 A1 * 3/2011 Siklosi A01K 27/002
 119/792
 2014/0261238 A1 * 9/2014 Holt, Jr. A01K 27/002
 119/856
 2014/0311423 A1 * 10/2014 Roney, III A01K 27/002
 119/792
 2015/0164049 A1 * 6/2015 Lai A01K 27/002
 119/792

2016/0007570 A1 * 1/2016 Stout A01K 27/002
 119/856
 2017/0196200 A1 * 7/2017 Wilson A01K 15/02
 2017/0265437 A1 * 9/2017 Sporn A01K 27/002
 2018/0184621 A1 7/2018 Trevino

OTHER PUBLICATIONS

“Sassy Woof: No-Pull Adjustable Dog Harness”. Found online Feb. 19, 2021 at [sassywoof.com](https://www.sassywoof.com). Reference dated Nov. 28, 2020. Retrieved from <https://web.archive.org/web/20201128215519/https://www.sassywoof.com/collections/dog-harnesses-adjustable>.*
 “ThinkPet Mesh No-Pull Harness”. Found online Feb. 19, 2021 at [amazon.com](https://www.amazon.com/ThinkPet-Reflective-Breathable-Harness-14-17-5/dp/B012C3GTI4/ref=sr_1_17?). Reference dated Jul. 22, 2015. Retrieved from https://www.amazon.com/ThinkPet-Reflective-Breathable-Harness-14-17-5/dp/B012C3GTI4/ref=sr_1_17?.*
 “PhoePet: No-Pull Dog Harness”. Found online Feb. 22, 2021 at [amazon.com](https://www.amazon.com/dp/B07GVD8M4L/ref=sspa_dk_detail_1?). Reference dated Aug. 27, 2018. Retrieved from https://www.amazon.com/dp/B07GVD8M4L/ref=sspa_dk_detail_1?.*
 “Pupteck: Dog Harness and Leash Set”. Found online Feb. 19, 2021 at [amazon.com](https://www.amazon.com/PUPTECK-Puppy-Harness-Leash-Set/dp/B081N3Y257/ref=pd_di_sccai_7?). Reference dated Nov. 17, 2019. Retrieved from https://www.amazon.com/PUPTECK-Puppy-Harness-Leash-Set/dp/B081N3Y257/ref=pd_di_sccai_7?.*

* cited by examiner

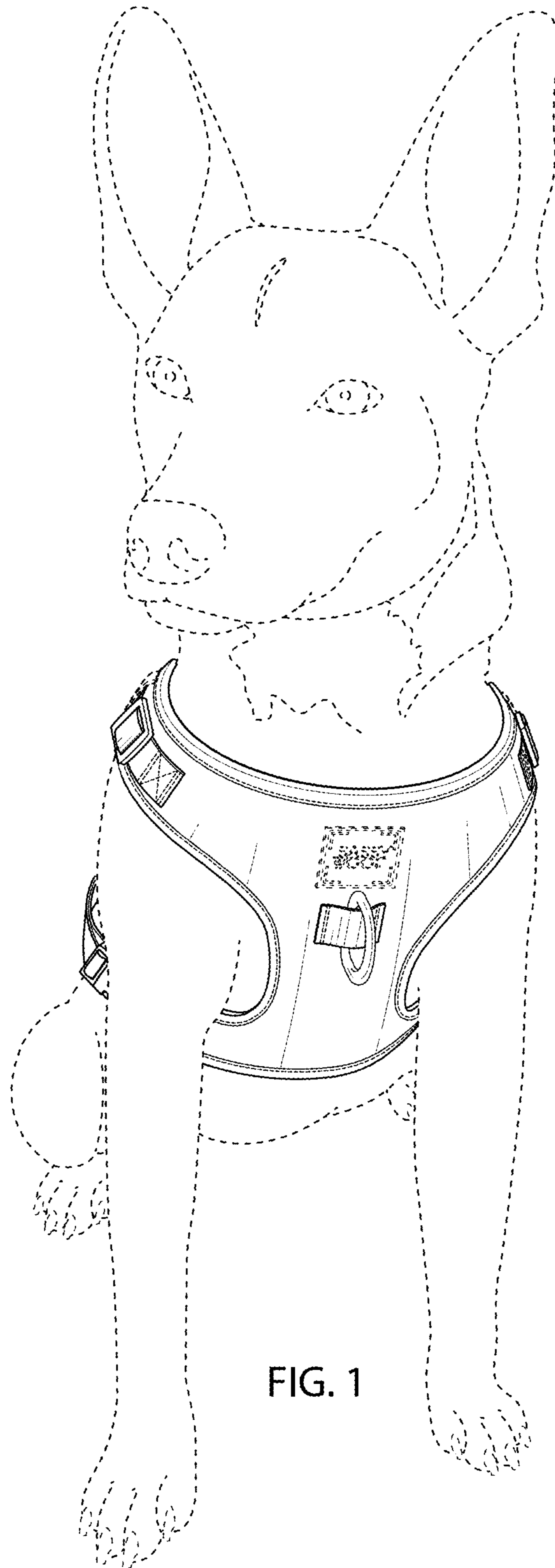


FIG. 1

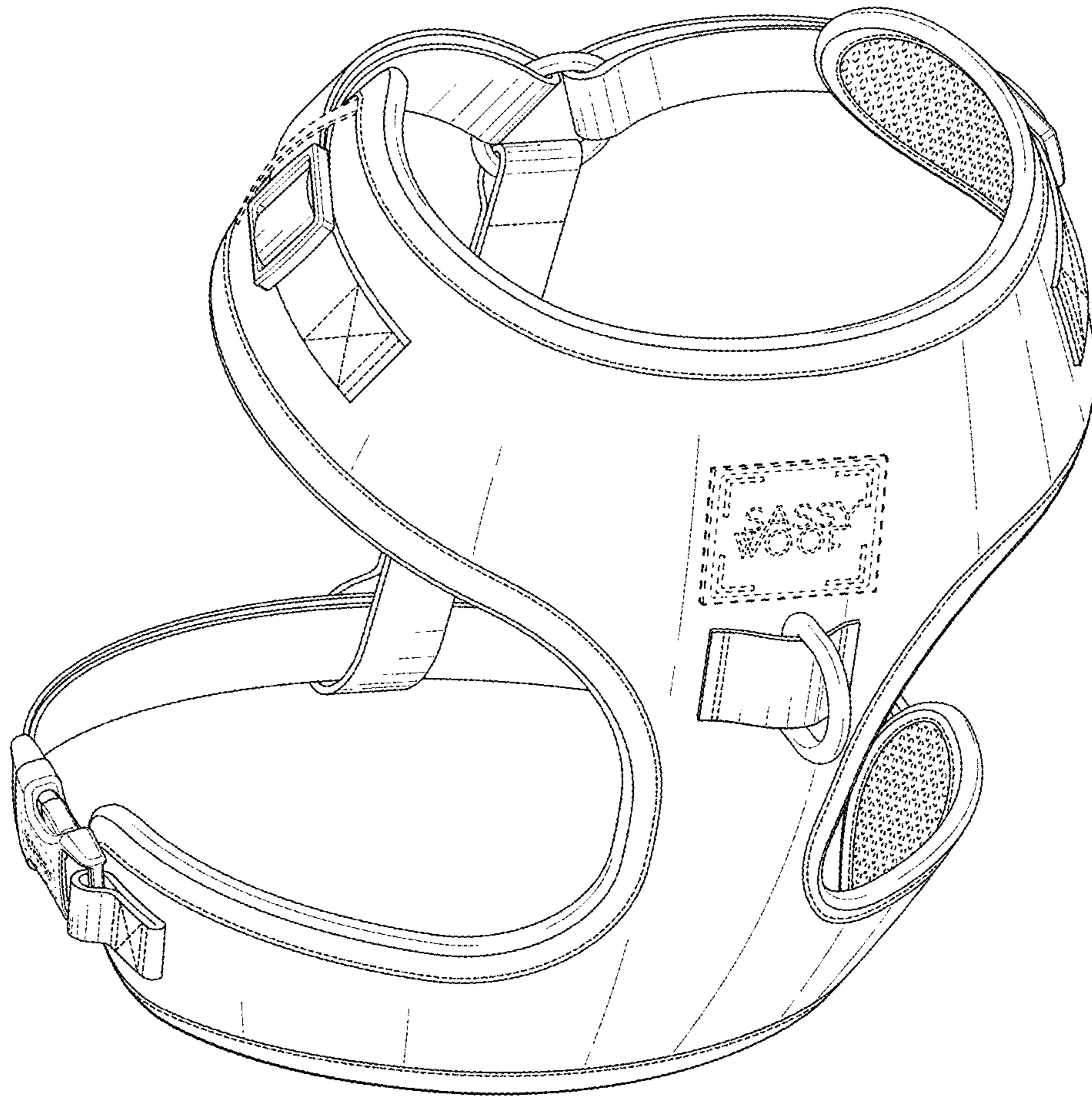


FIG. 2

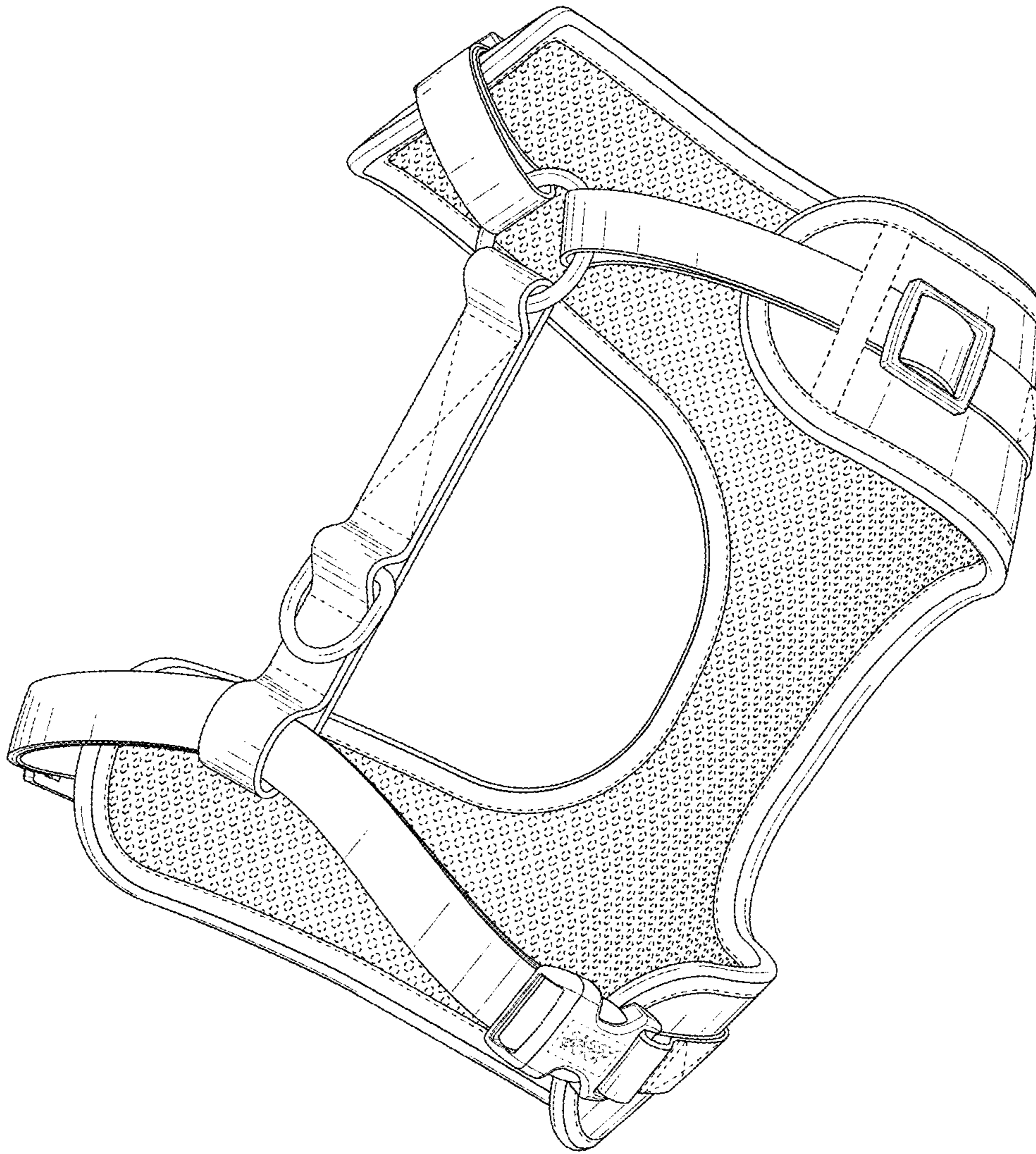


FIG. 3

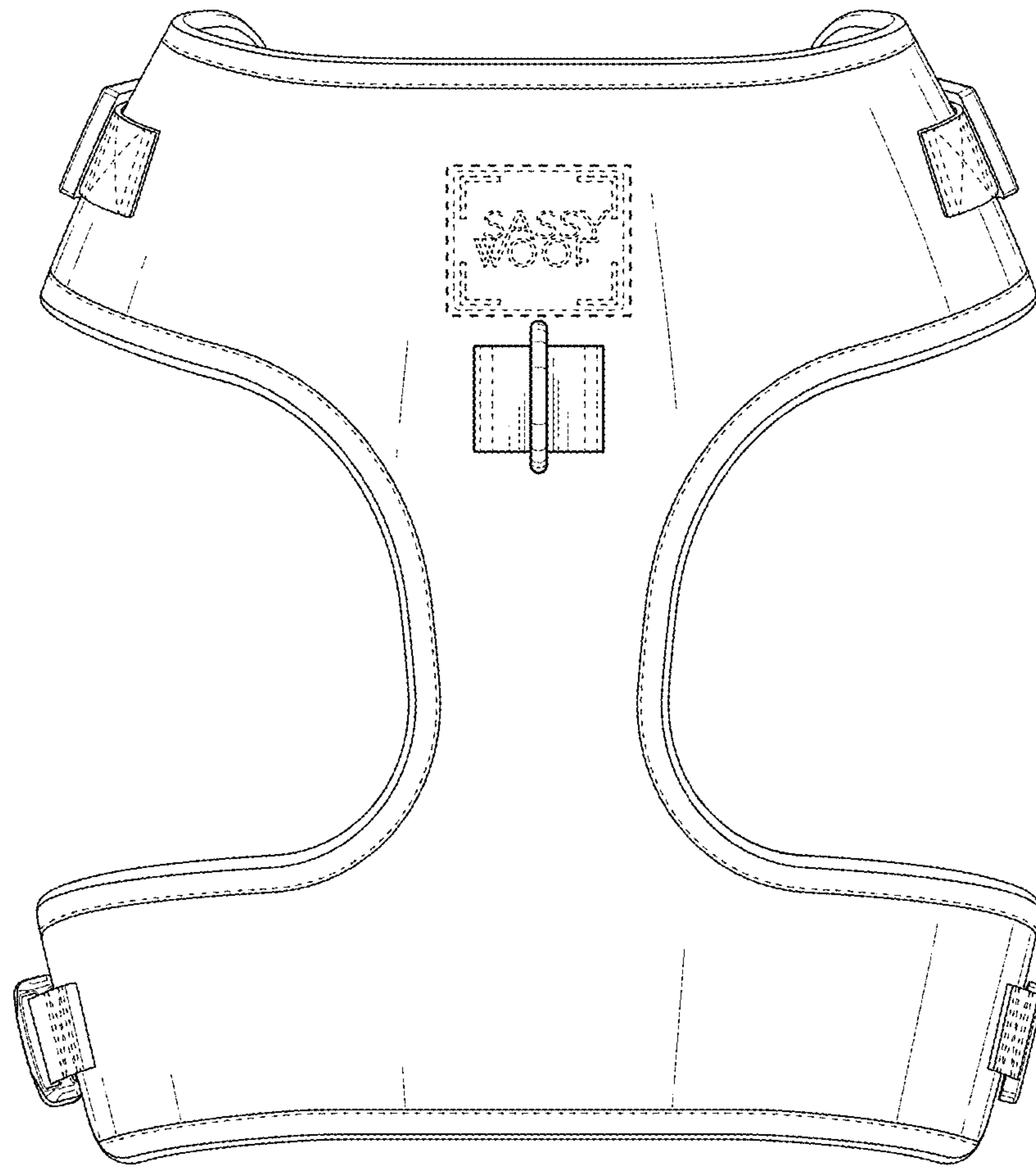


FIG. 4

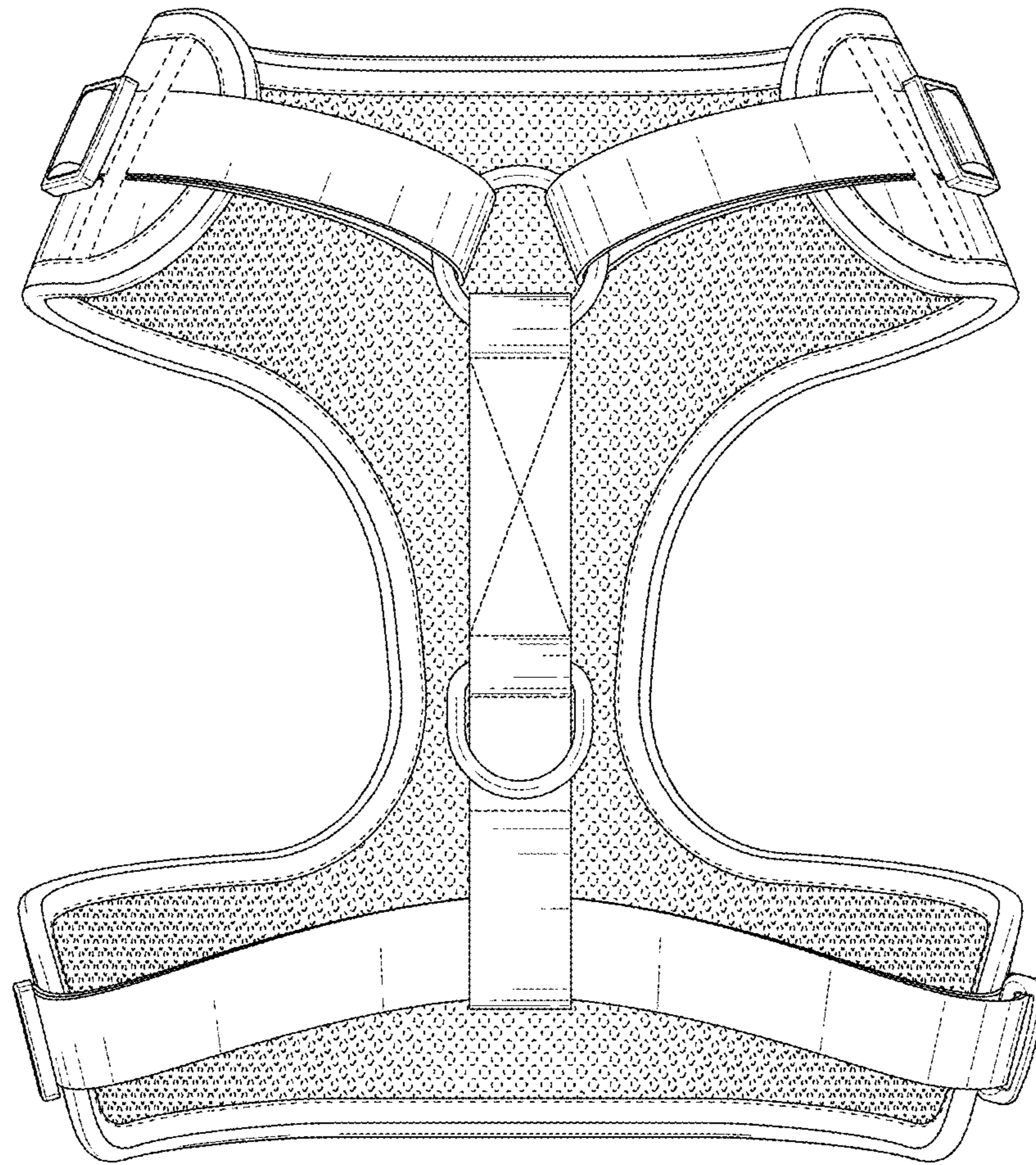


FIG. 5

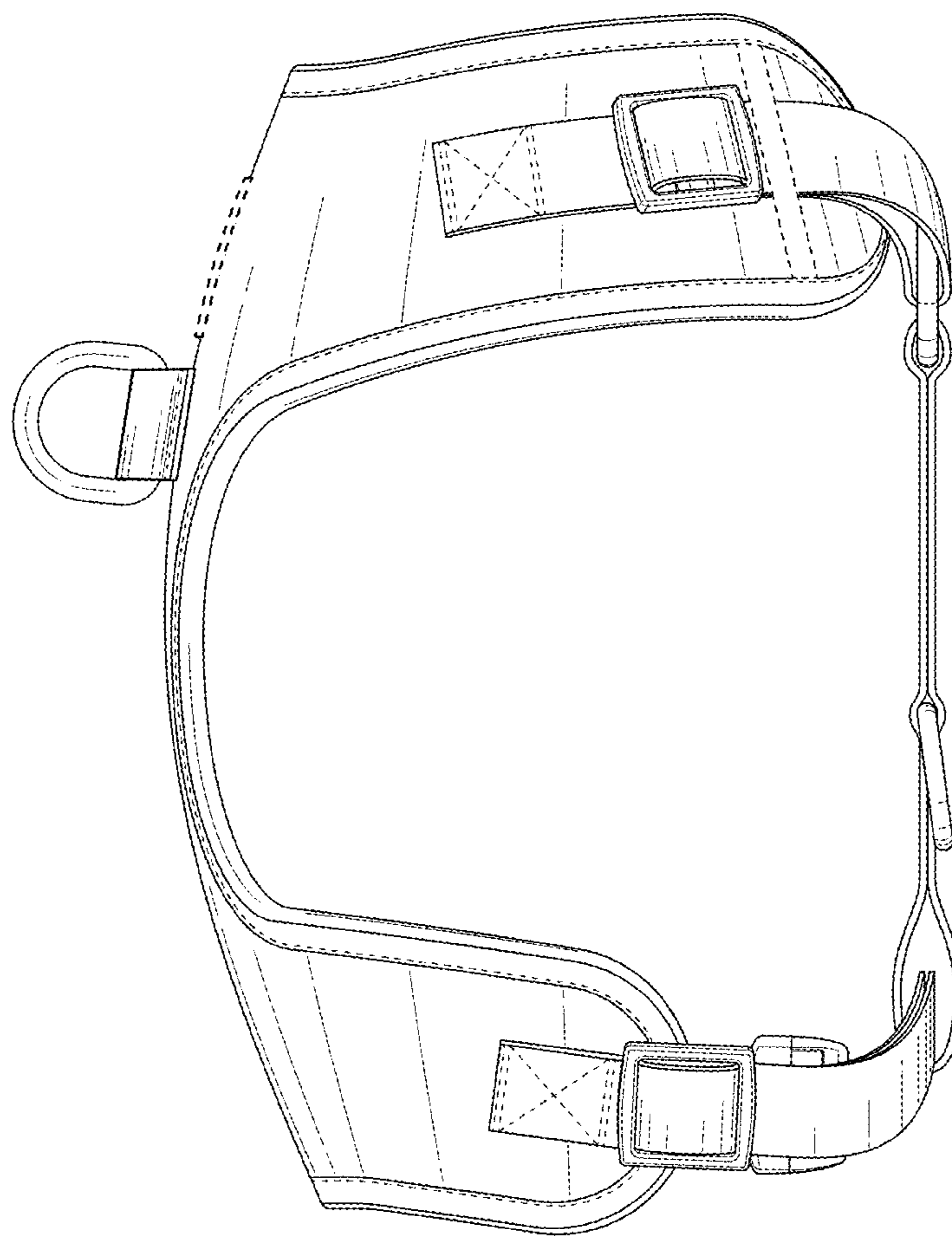


FIG. 6

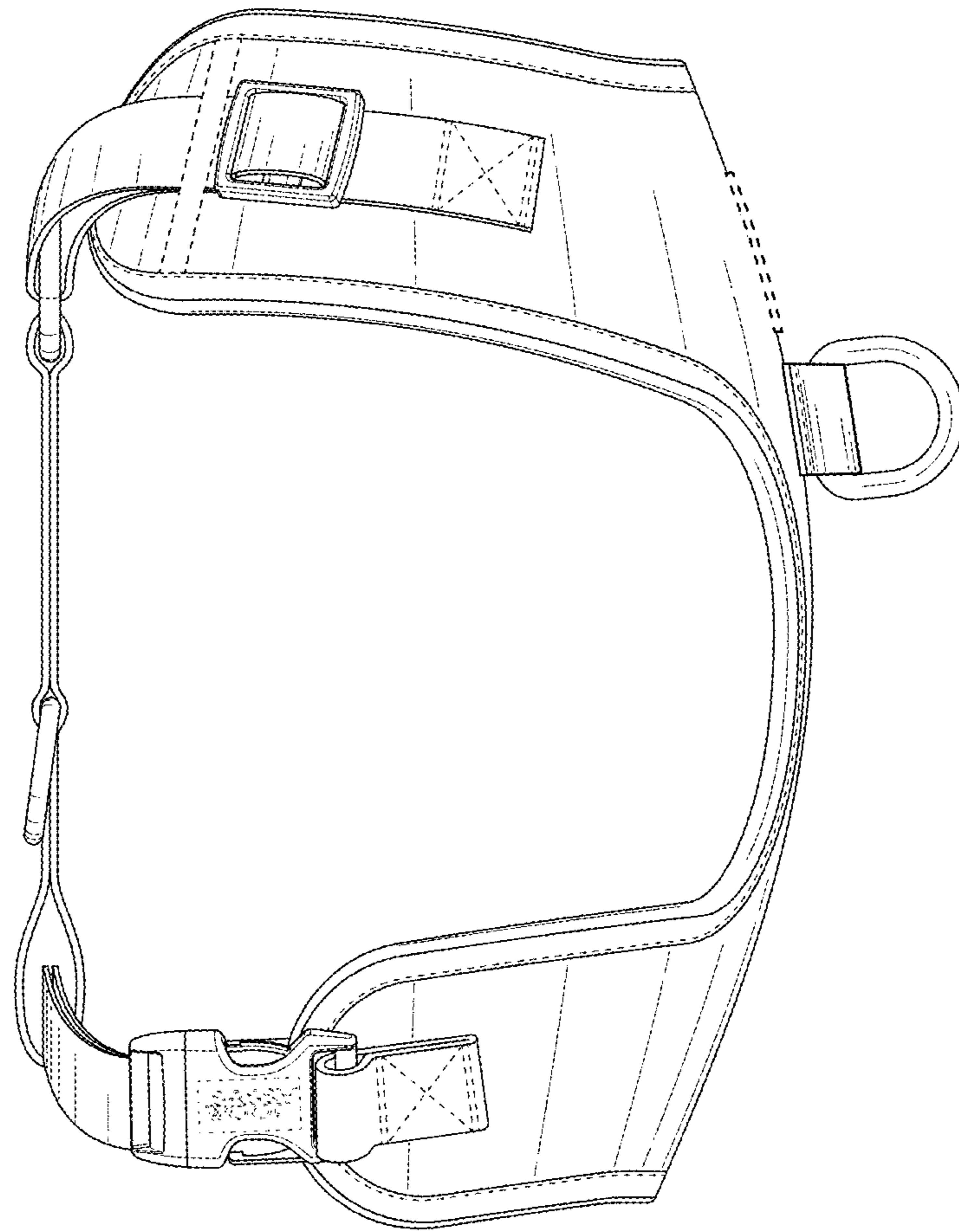


FIG. 7

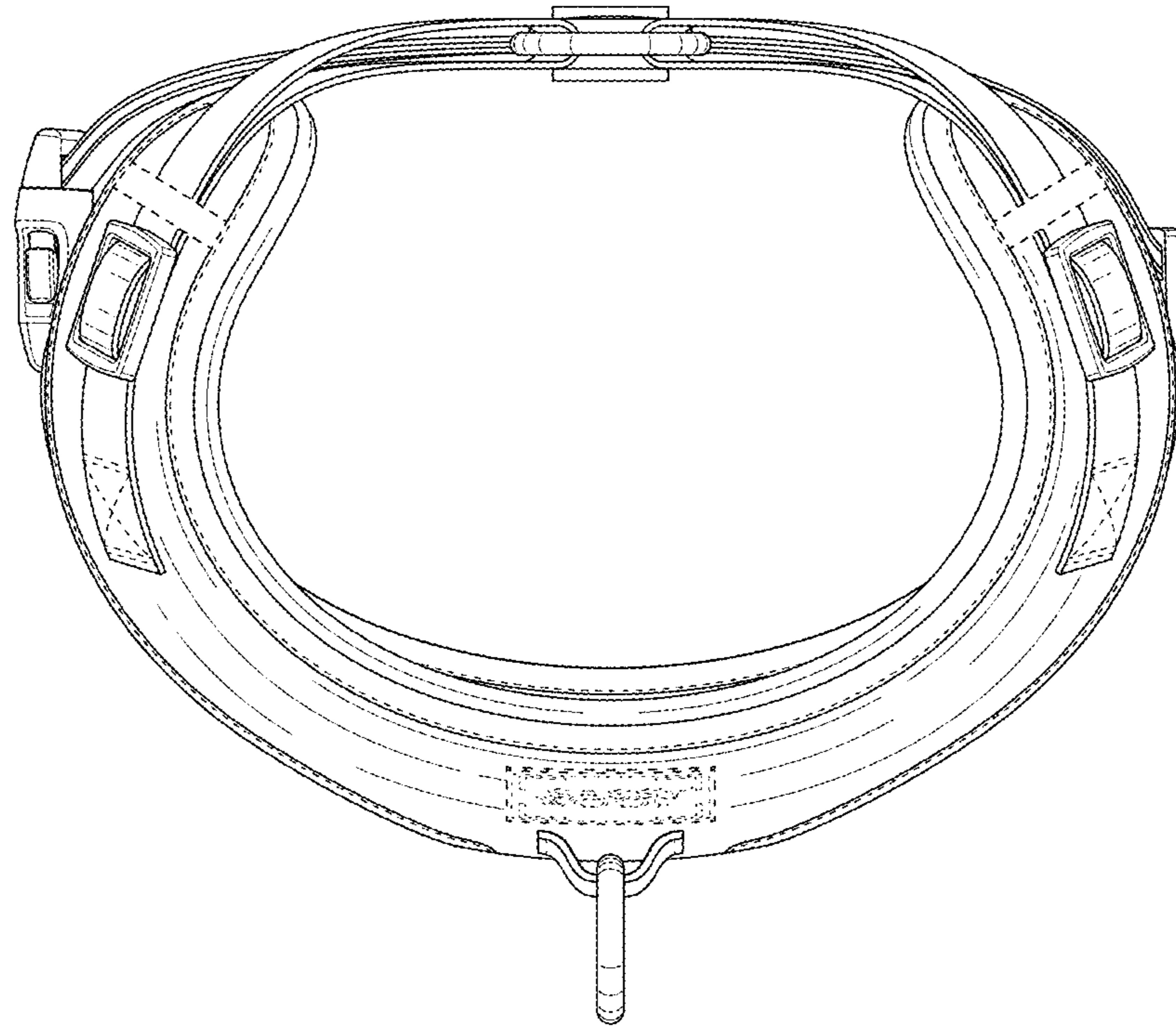


FIG. 8

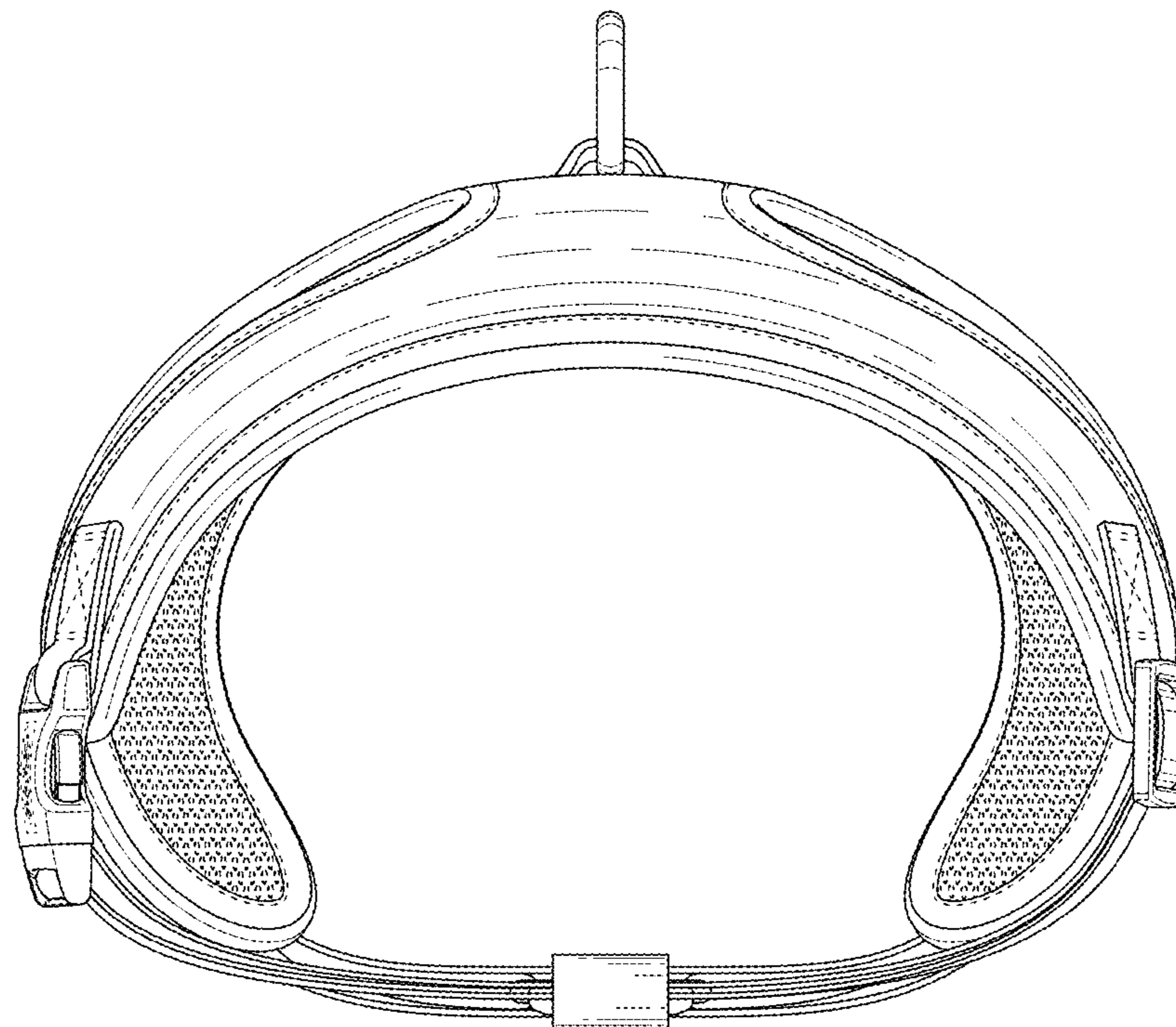


FIG. 9