



US00D918491S

(12) **United States Design Patent**
Milsom

(10) **Patent No.:** **US D918,491 S**

(45) **Date of Patent:** **** May 4, 2021**

(54) **ANIMAL WATERING FOUNTAIN**

(71) Applicant: **RADIO SYSTEMS CORPORATION,**
Knoxville, TN (US)

(72) Inventor: **Darren Milsom,** Knoxville, TN (US)

(73) Assignee: **Radio Systems Corporation,**
Knoxville, TN (US)

(**) Term: **15 Years**

(21) Appl. No.: **29/704,014**

(22) Filed: **Aug. 30, 2019**

(51) **LOC (13) Cl.** **30-03**

(52) **U.S. Cl.**
USPC **D30/132**

(58) **Field of Classification Search**
USPC D30/121, 122, 129, 130, 132, 133, 199;
119/51.01, 51.02, 51.11, 51.5, 57.92,
119/61.5, 61.52, 61.54, 61.55, 61.56, 72,
119/74, 75, 78, 79, 80, 81
CPC .. A01K 5/0114; A01K 5/0121; A01K 5/0135;
A01K 7/005; A01K 39/02; A01K 39/04;
A01K 39/0213; A01K 5/00
See application file for complete search history.

(56) **References Cited**

U.S. PATENT DOCUMENTS

D738,579 S *	9/2015	Owens	D30/132
D820,533 S *	6/2018	Huang	D30/132
D849,336 S *	5/2019	Huang	D30/132
D849,337 S *	5/2019	Huang	D30/132

OTHER PUBLICATIONS

“Drinkwell Butterfly Pet Fountain” available 2020, [online], [site visited Aug. 29, 2020]. Retrieved from Internet, URL:https://store.petsafe.net/drinkwell-butterfly-pet-fountain (Year: 2020).*

“PetSafe Introduces New Drinkwell® Butterfly Fountain” available Dec. 9, 2019, [online], [site visited Aug. 29, 2020]. Retrieved from Internet, URL:https://www.prnewswire.com/news-releases/petsafe-introduces-new-drinkwell-butterfly-fountain-just-in-time-for-the-holidays-300970938.html (Year: 2019).*

“PetSafe Drinkwell Butterfly Water Fountain” available Nov. 1, 2019, [online], [site visited Aug. 29, 2020]. Retrieved from Internet, URL:https://www.amazon.com/PetSafe-Butterfly-Dog-Water-Fountain/dp/B07ZG71TT5?th=1 (Year: 2019).*

* cited by examiner

Primary Examiner — Michael C Stout

Assistant Examiner — Katrina N Gonzalez

(74) *Attorney, Agent, or Firm* — Baker, Donelson,
Bearman, Caldwell & Berkowitz PC

(57) **CLAIM**

The ornamental design for an animal watering fountain, as shown and described.

DESCRIPTION

FIG. 1 is a rear top right perspective view of an animal watering fountain.

FIG. 2 is a front top left perspective view thereof.

FIG. 3 is a rear bottom left perspective view thereof.

FIG. 4 is a front bottom right perspective view thereof.

FIG. 5 is a rear view thereof.

FIG. 6 is a front view thereof.

FIG. 7 is a right view thereof.

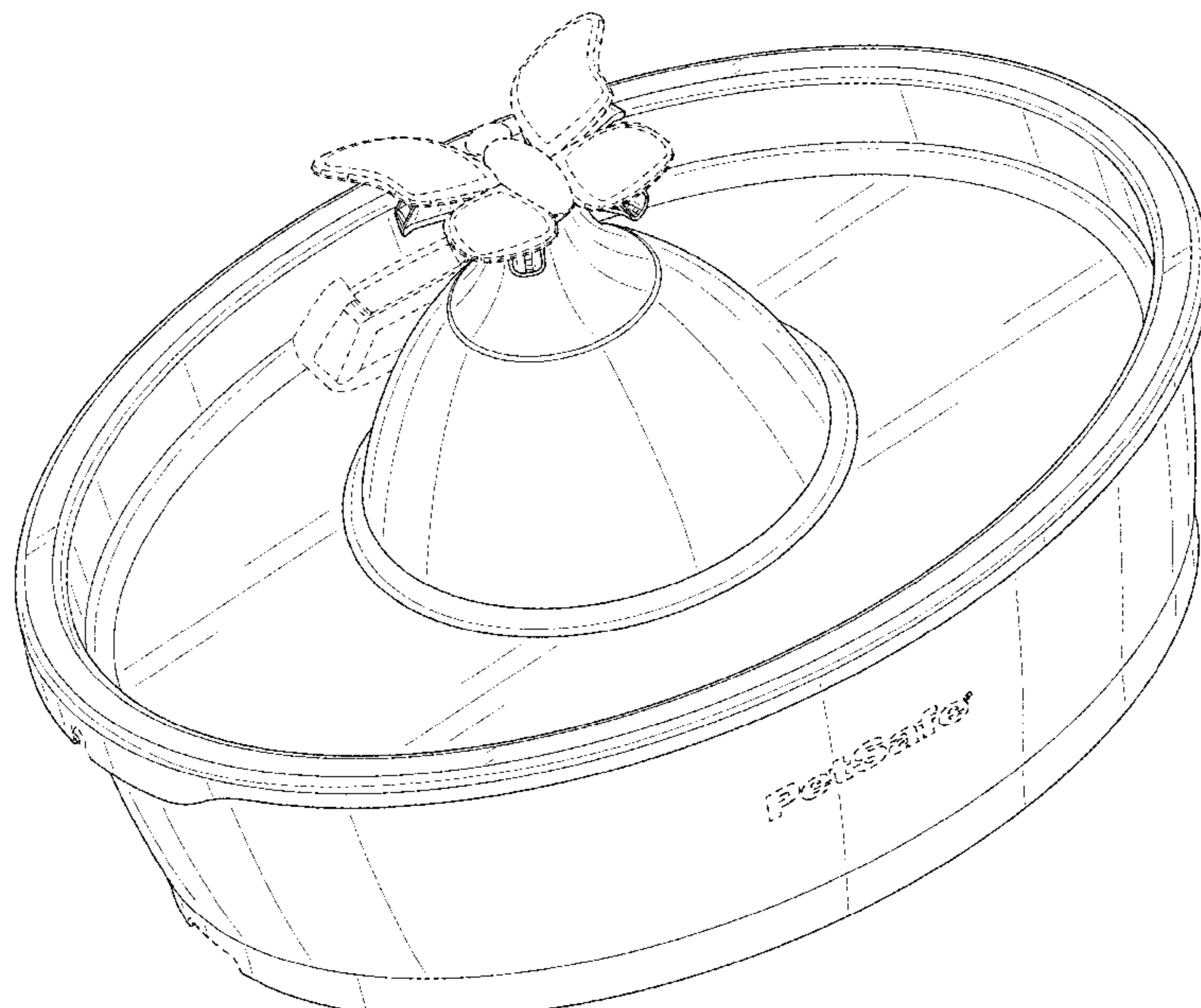
FIG. 8 is a left view thereof.

FIG. 9 is a top view thereof; and,

FIG. 10 is a bottom view thereof.

The broken lines illustrate portions of the animal watering fountain that form no part of the claimed design.

1 Claim, 10 Drawing Sheets



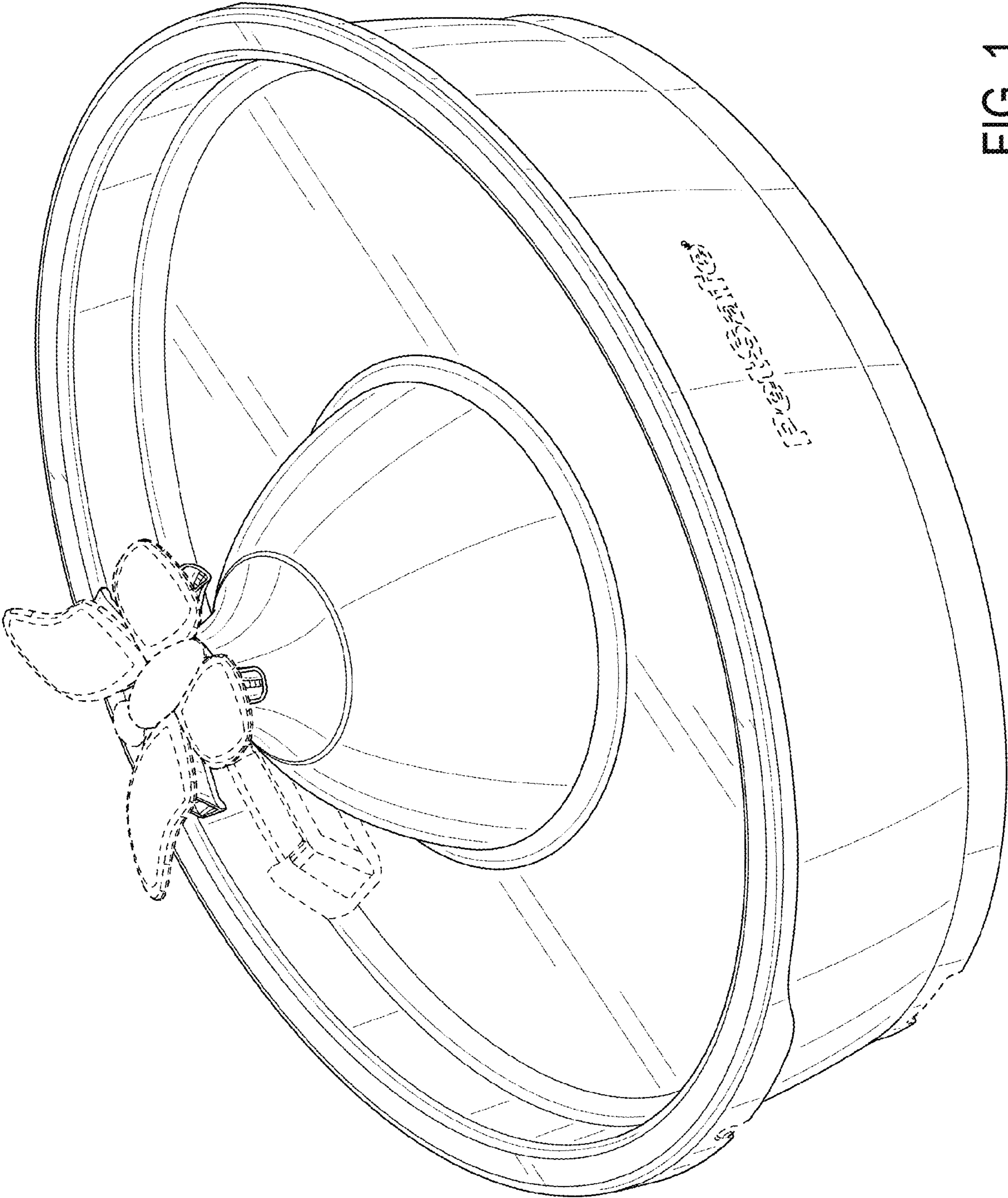


FIG. 1

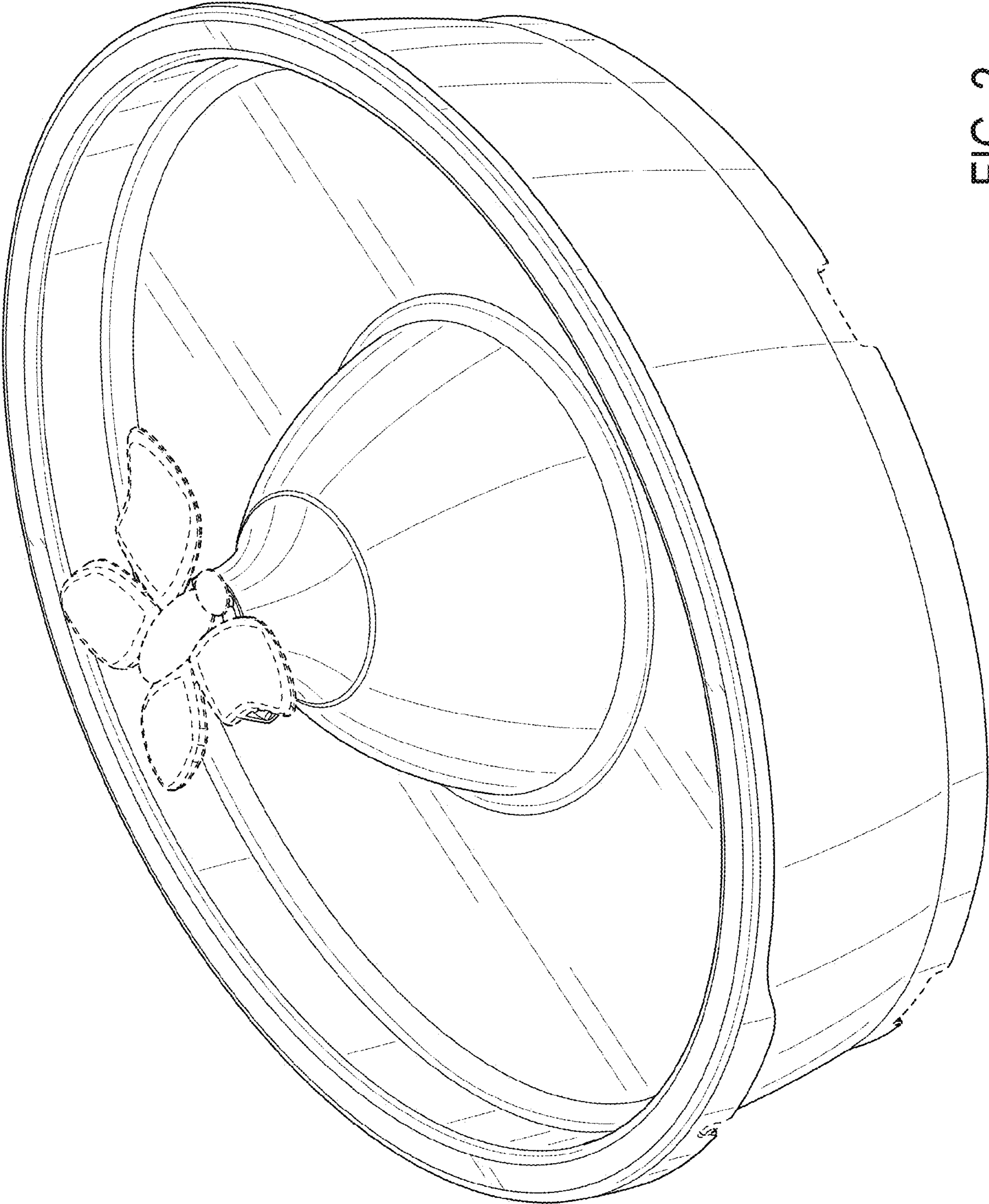


FIG. 2

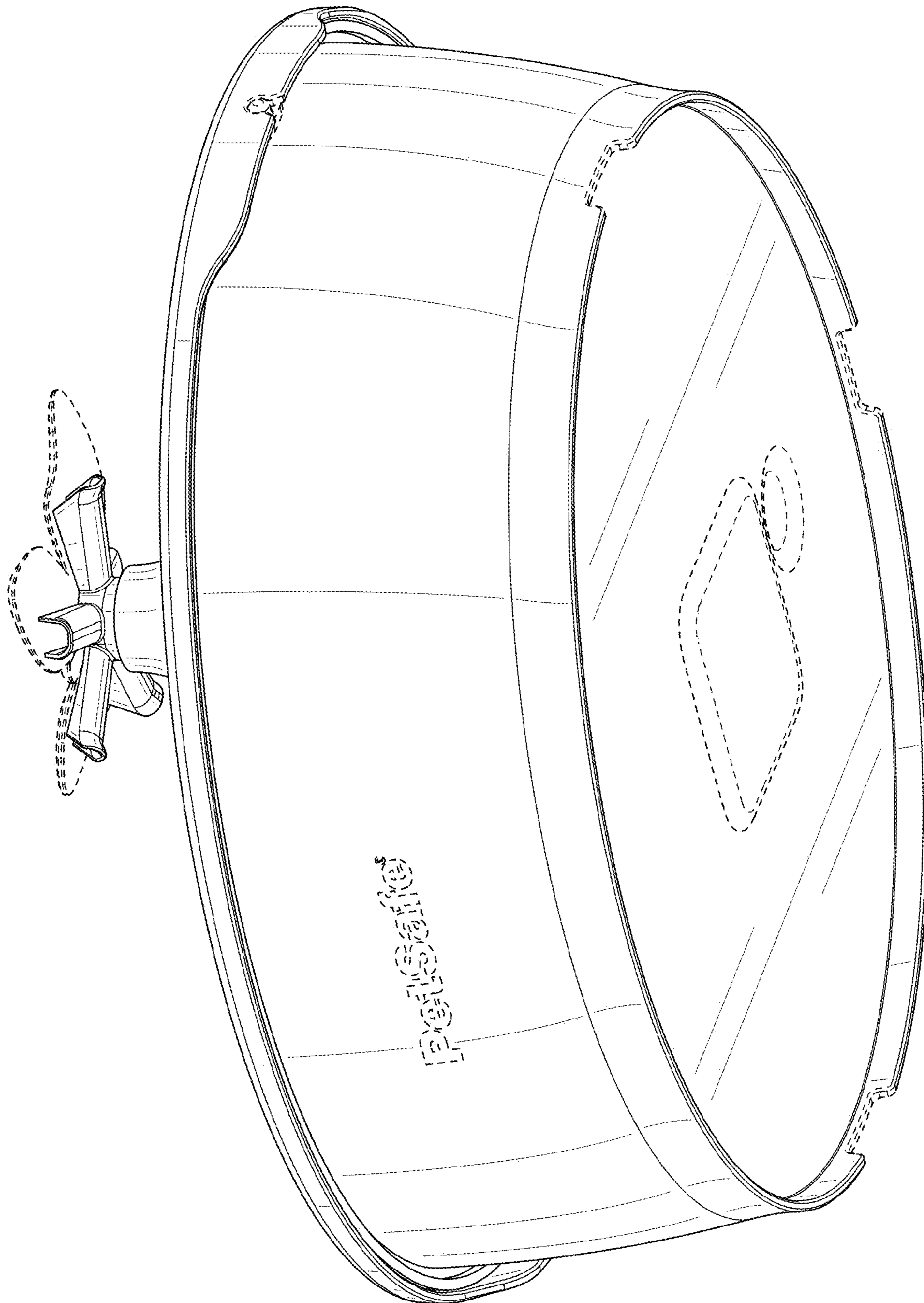


FIG. 3

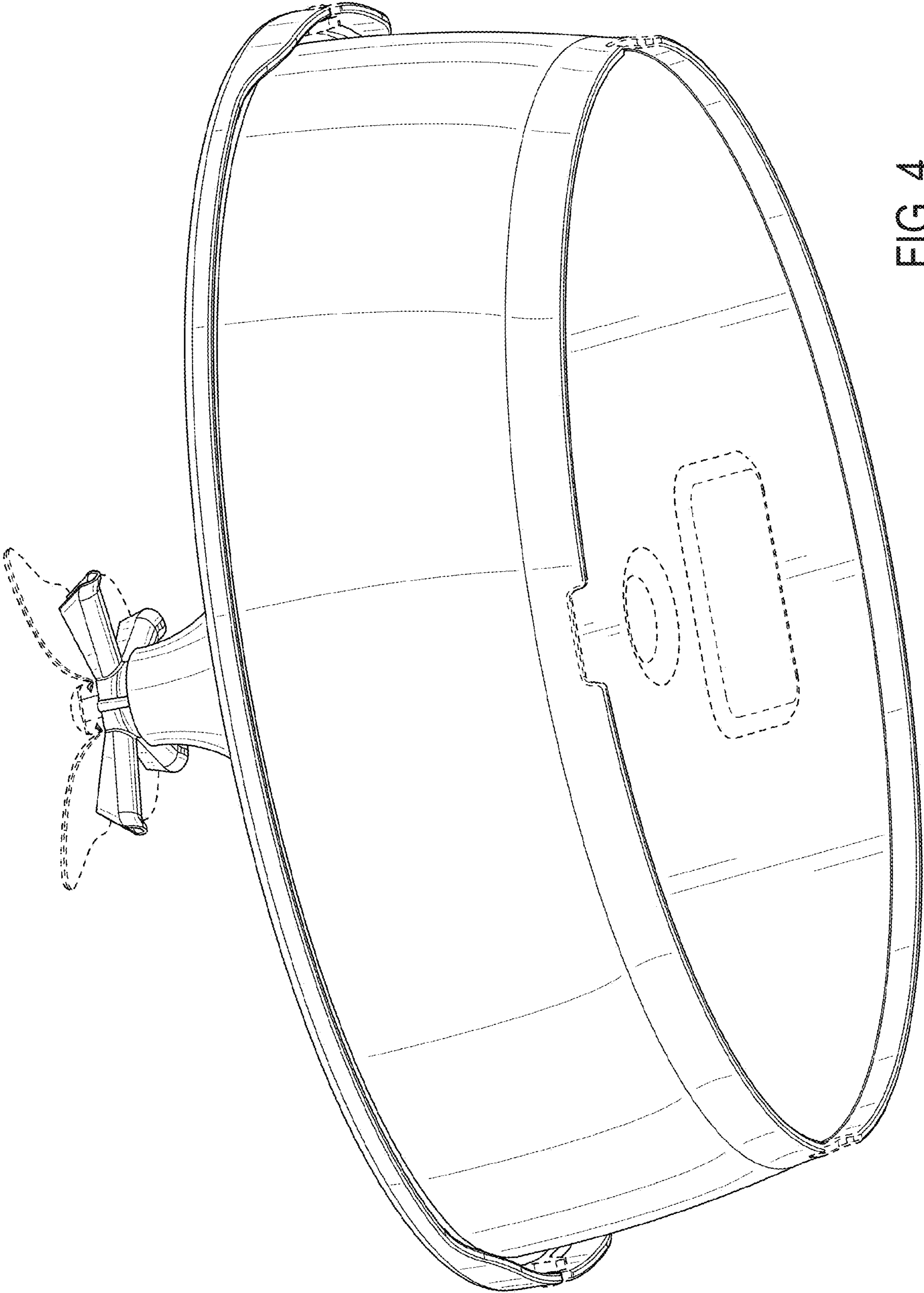


FIG. 4

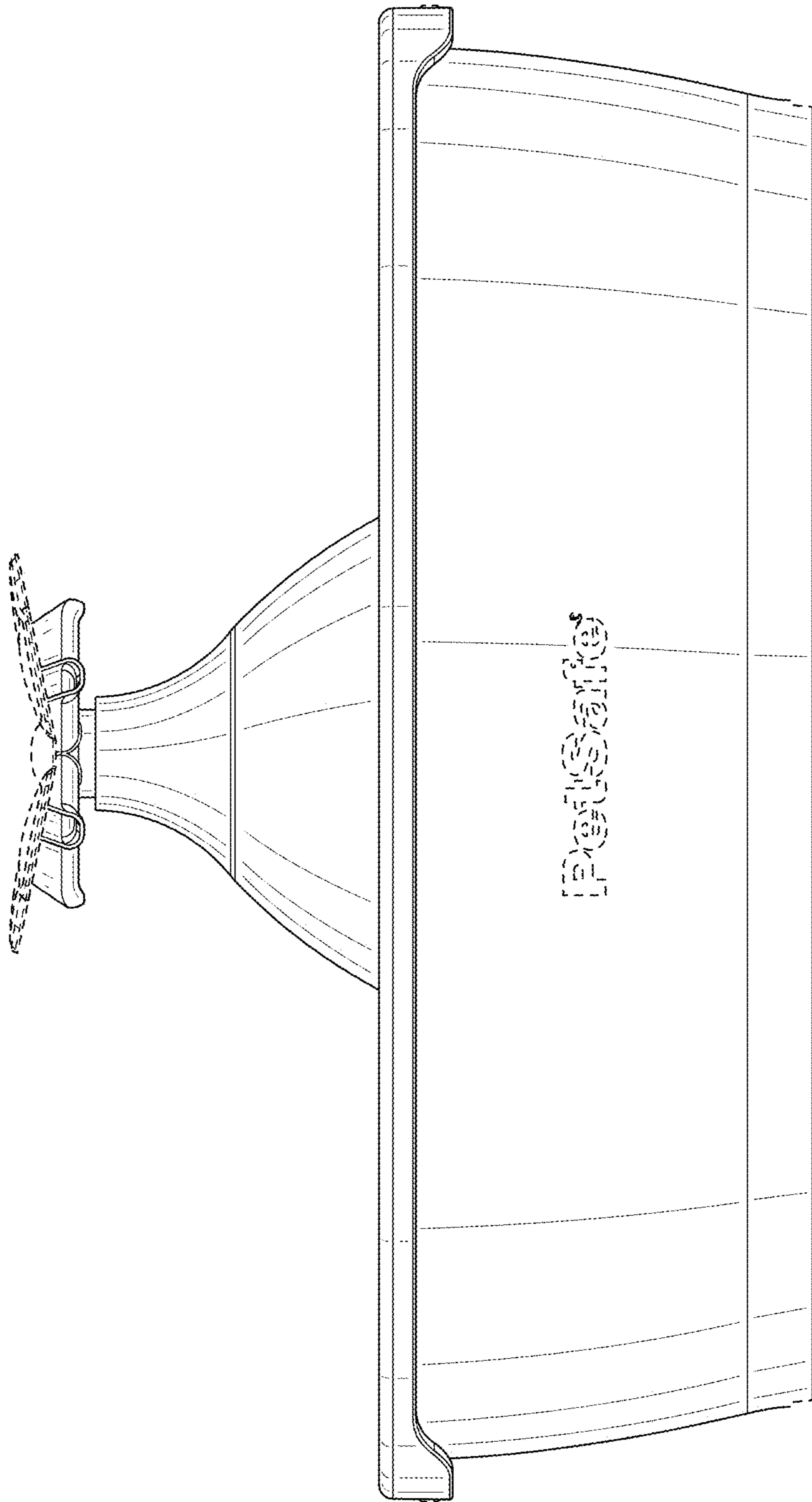


FIG. 5

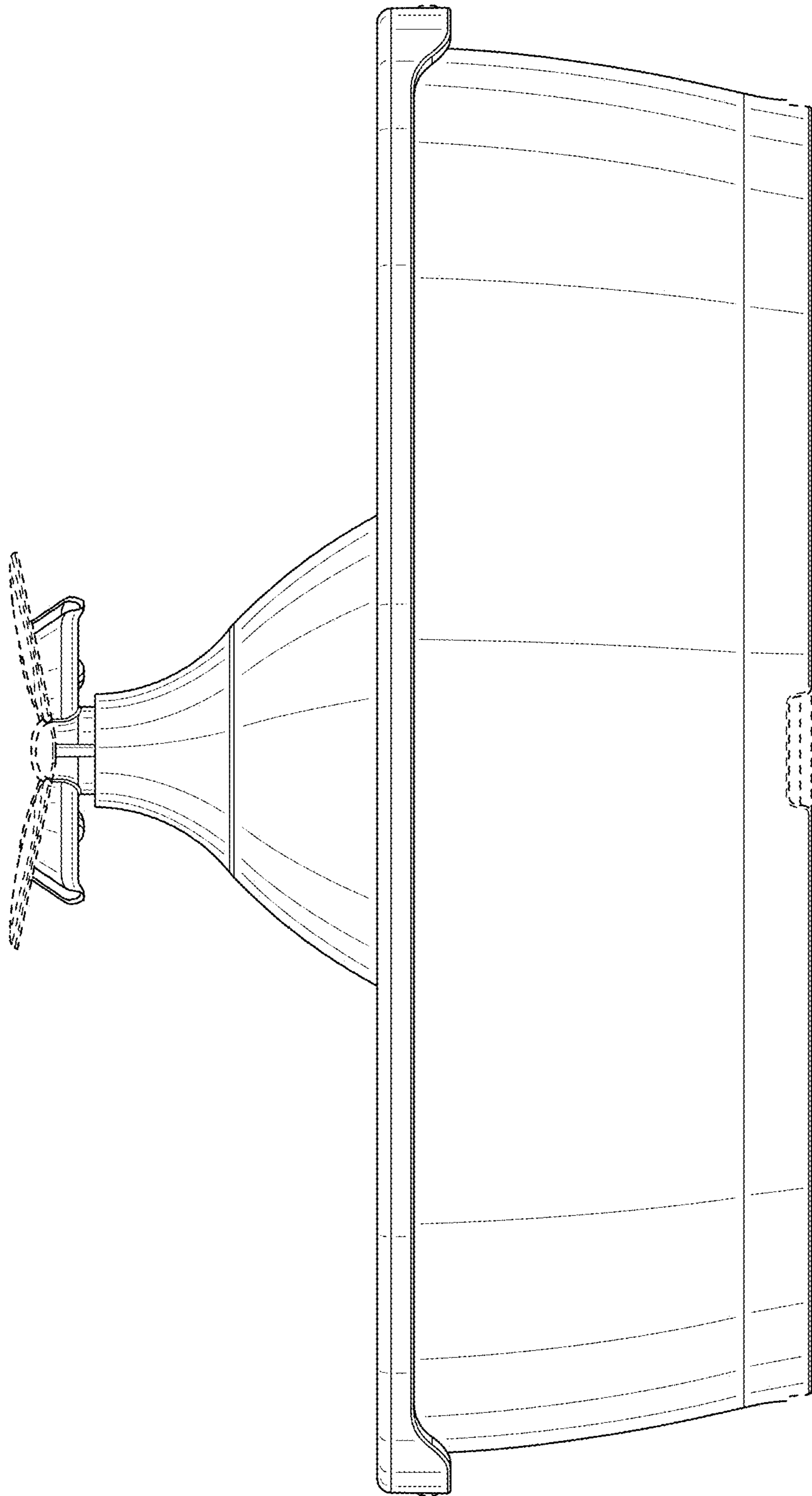


FIG. 6

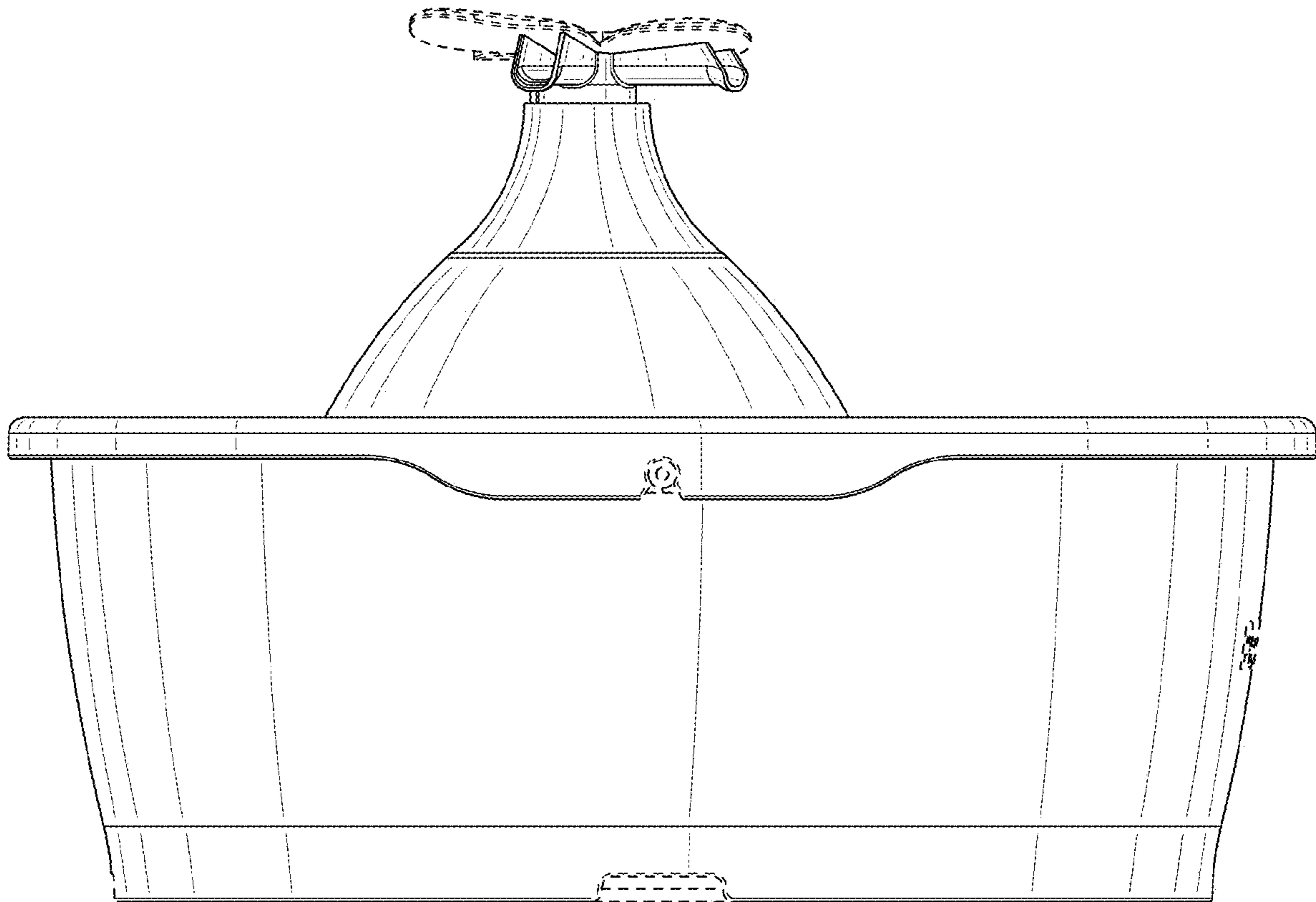


FIG. 7

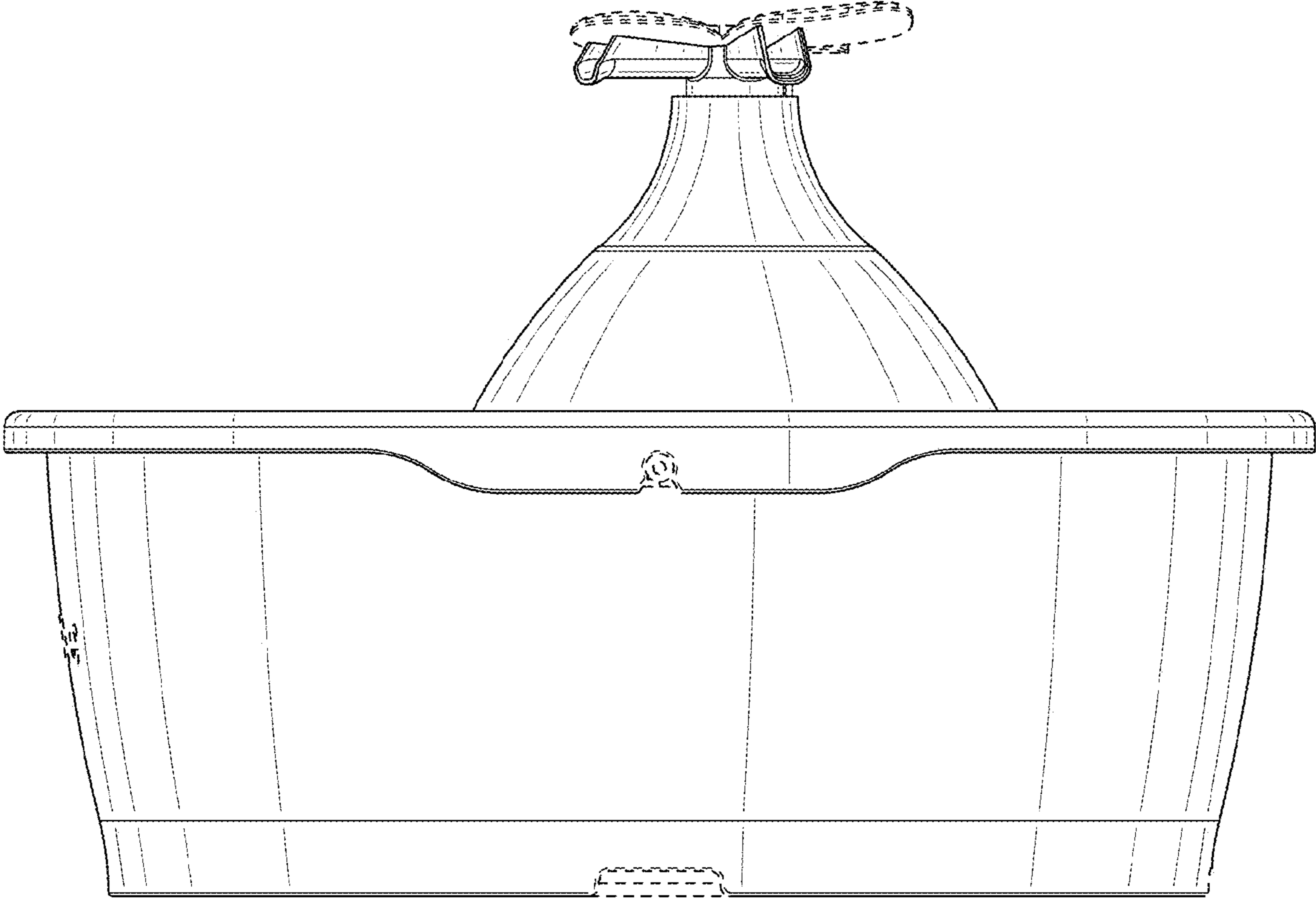


FIG. 8

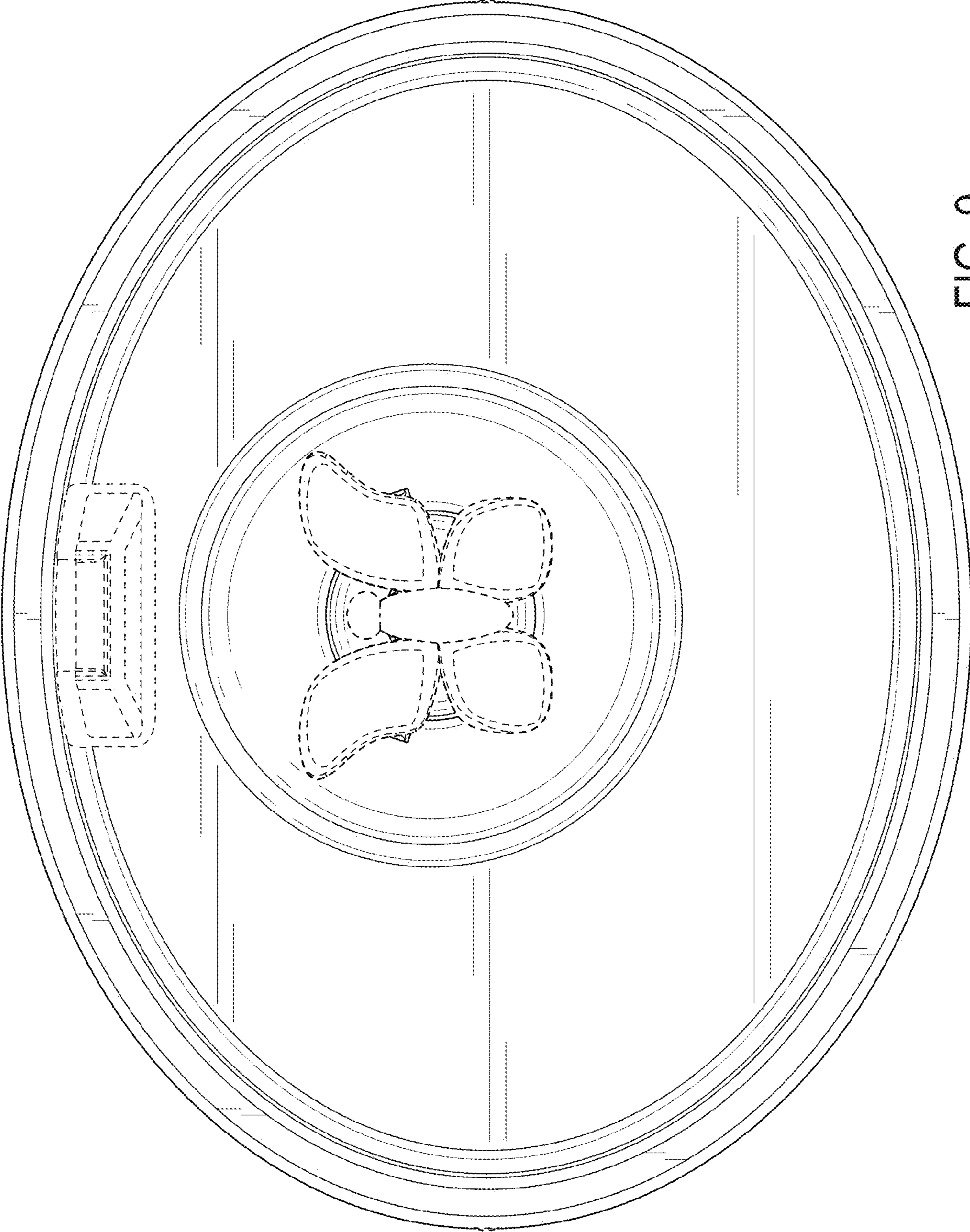


FIG. 9

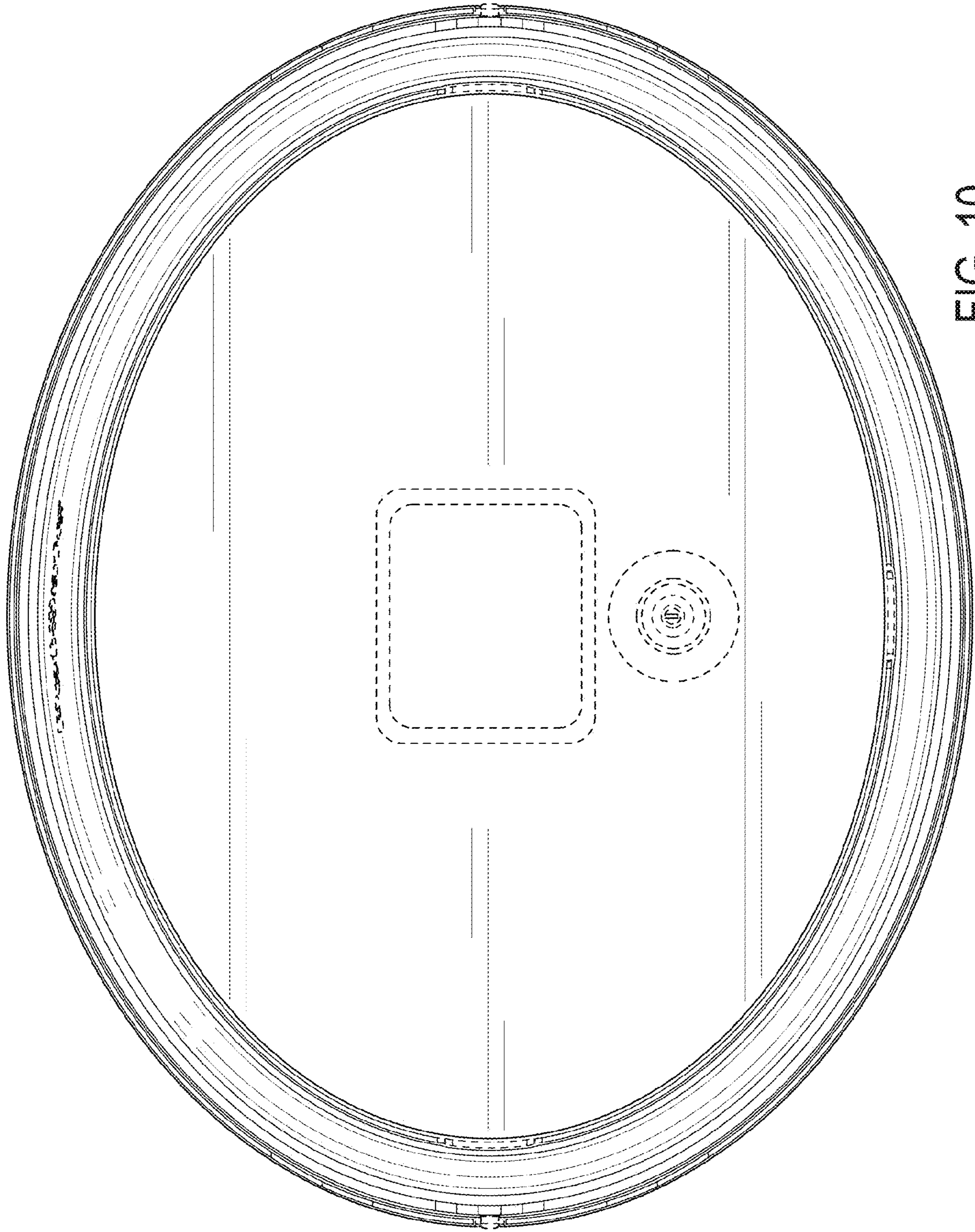


FIG. 10