



US00D918489S

(12) **United States Design Patent** (10) **Patent No.:** **US D918,489 S**
Sayers (45) **Date of Patent:** **** May 4, 2021**

(54) **PET WATER FOUNTAIN**

OTHER PUBLICATIONS

(71) Applicant: **Radio Systems Corporation,**
Knoxville, TN (US)

“PetSafe Introduces New Drinkwell” available Jul. 1, 2019, [online], [site visited May 28, 2020]. Retrieved from Internet, URL:https://www.pnewsire.com/news-releases/petsafe-introduces-new-drinkwell-pet-fountains-to-encourage-hydration-and-healthy-habits-300878309.html (Year: 2019).*

(72) Inventor: **Kevin M. Sayers,** Knoxville, TN (US)

“Drinkwell 2 Gallon Pet Fountain” available Jul. 9, 2019, [online], [site visited May 28, 2020]. Retrieved from Internet, URL:https://www.chewy.com/drinkwell-2-gallon-pet-fountain/dp/192910 (Year: 2019).*

(73) Assignee: **Radio Systems Corporation,**
Knoxville, TN (US)

(**) Term: **15 Years**

* cited by examiner

(21) Appl. No.: **29/659,205**

Primary Examiner — Michael C Stout

(22) Filed: **Aug. 7, 2018**

Assistant Examiner — Katrina N Gonzalez

(51) **LOC (13) Cl.** **30-03**

(74) *Attorney, Agent, or Firm* — Baker, Donelson,
Bearman, Caldwell & Berkowitz PC

(52) **U.S. Cl.**

USPC **D30/132**

(57) **CLAIM**

(58) **Field of Classification Search**

USPC D30/121, 122, 129, 130, 131, 132, 133,
D30/199

The ornamental design for a pet water fountain, as shown and described.

CPC A01K 5/00; A01K 5/0291; A01K 7/00;
A01K 7/005; A01K 7/02; A01K 39/02;
A01K 39/04

DESCRIPTION

See application file for complete search history.

FIG. 1 is a top, right, front perspective view of a pet water fountain, showing my new design.

(56) **References Cited**

U.S. PATENT DOCUMENTS

D704,391 S *	5/2014	Tan	D30/132
D801,595 S *	10/2017	Oates	D30/132
D827,213 S *	8/2018	Veness	D30/132
D846,815 S *	4/2019	Darkwah	D30/132
D858,901 S *	9/2019	Zhong	D30/132
D872,381 S *	1/2020	Lee	D30/132
D875,324 S *	2/2020	Gevaert	D30/121
2006/0230676 A1 *	10/2006	Rowe	A01K 7/00 47/66.6
2017/0245465 A1 *	8/2017	Oates	A01K 7/00
2018/0338470 A1 *	11/2018	Sayers	A01K 7/02
2019/0208745 A1 *	7/2019	Milsom	A01K 7/022

FIG. 2 is a top, left, front perspective view thereof;

FIG. 3 is a top, left, rear perspective view thereof;

FIG. 4 is a top, right, rear perspective view thereof;

FIG. 5 is a right side perspective view thereof;

FIG. 6 is a left side perspective view thereof;

FIG. 7 is a front view thereof;

FIG. 8 is a rear view thereof;

FIG. 9 is a left side view thereof;

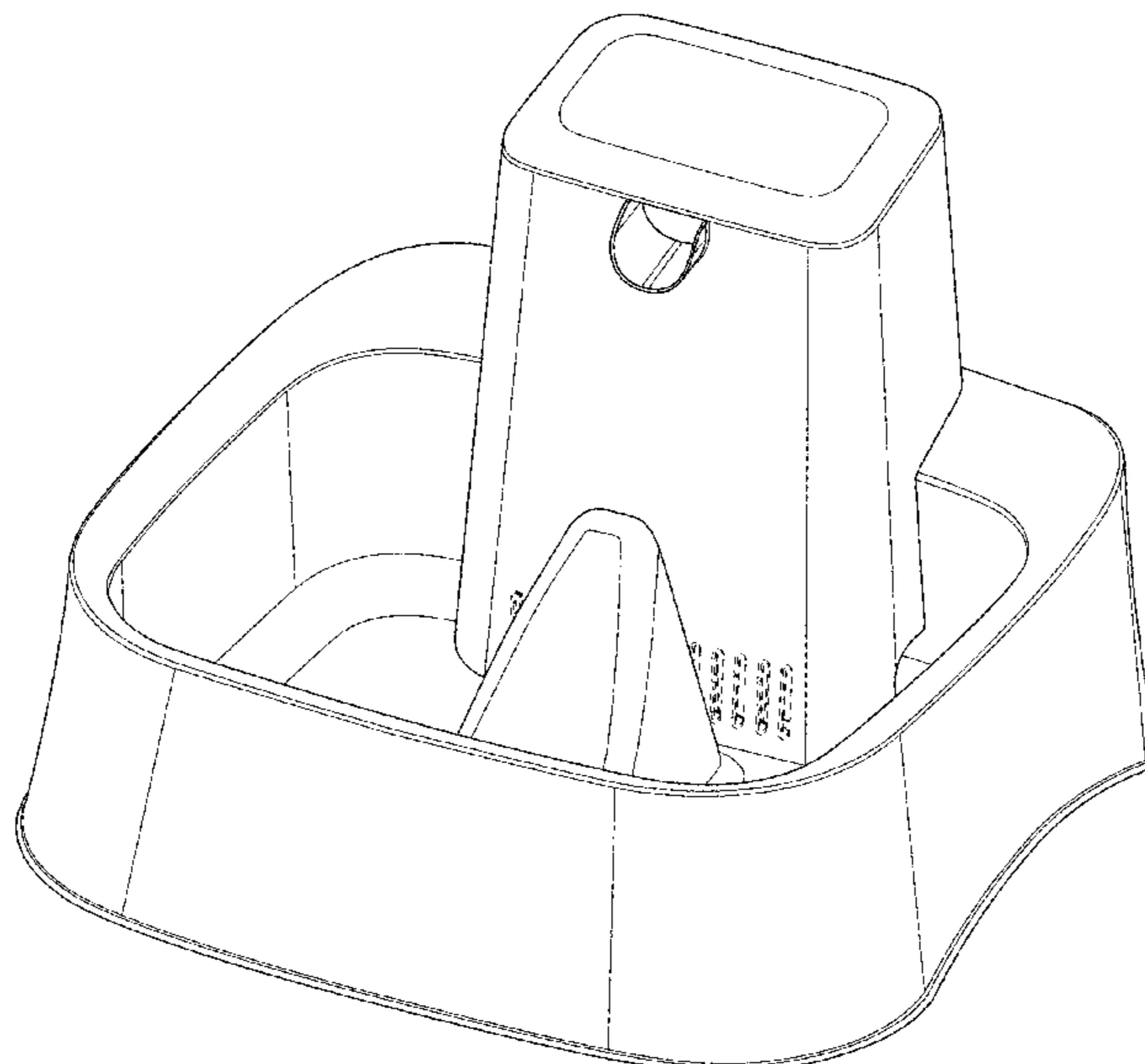
FIG. 10 is a right side view thereof;

FIG. 11 is a top plan view thereof; and,

FIG. 12 is a bottom plan view thereof.

The broken lines depict portions of the pet water fountain that form no part of the claimed design.

1 Claim, 12 Drawing Sheets



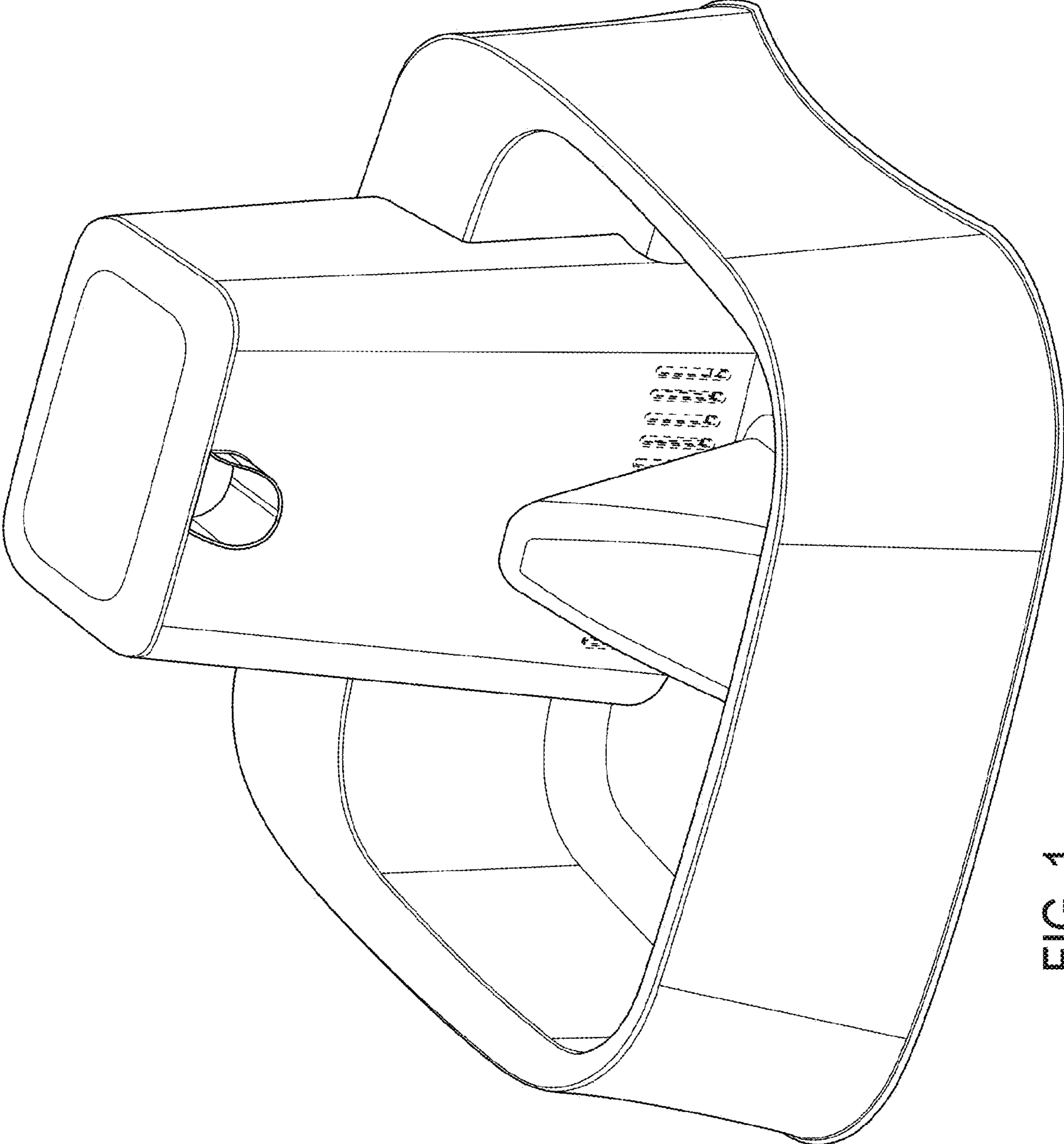


FIG. 1

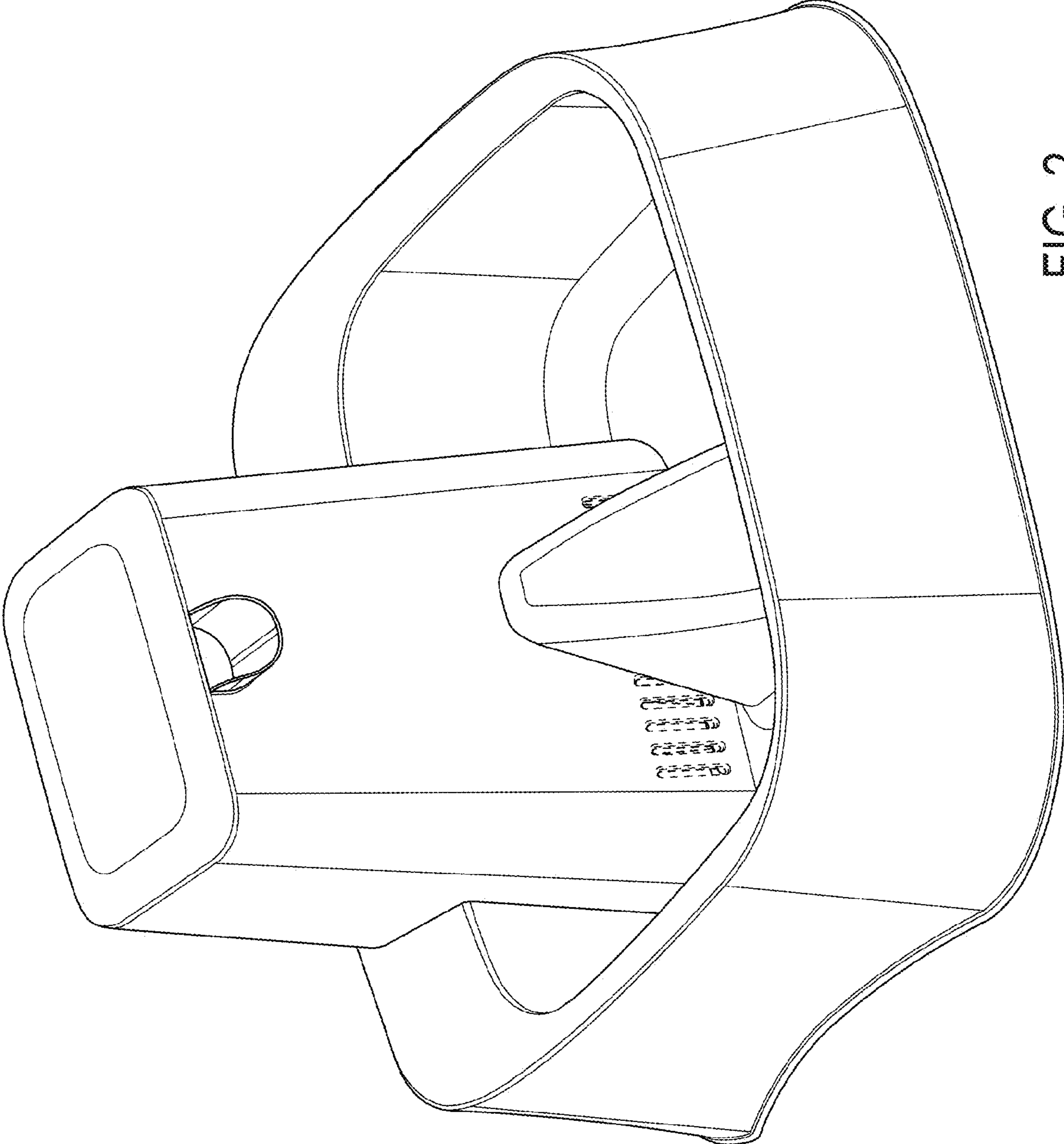


FIG. 2

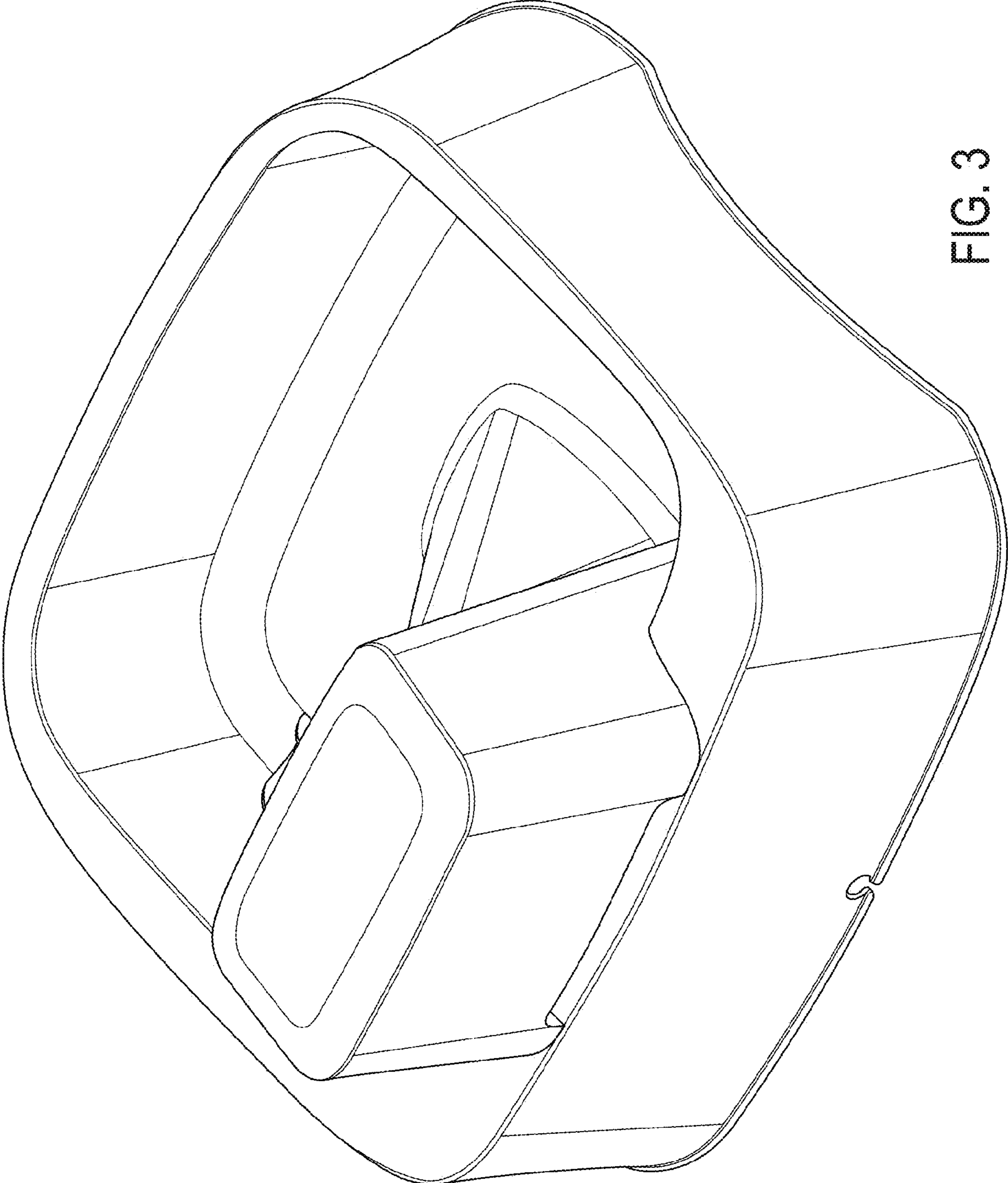


FIG. 3

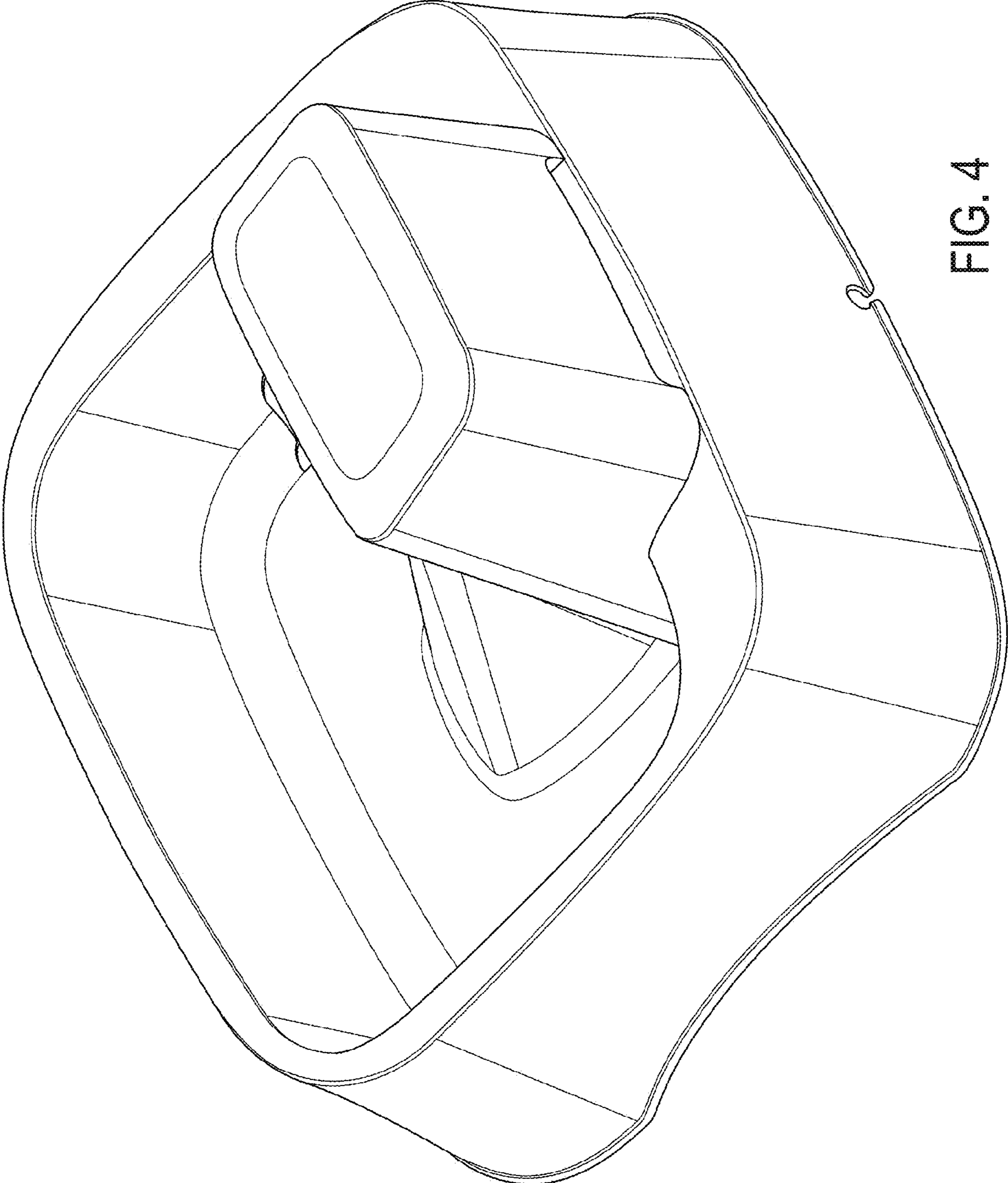


FIG. 4



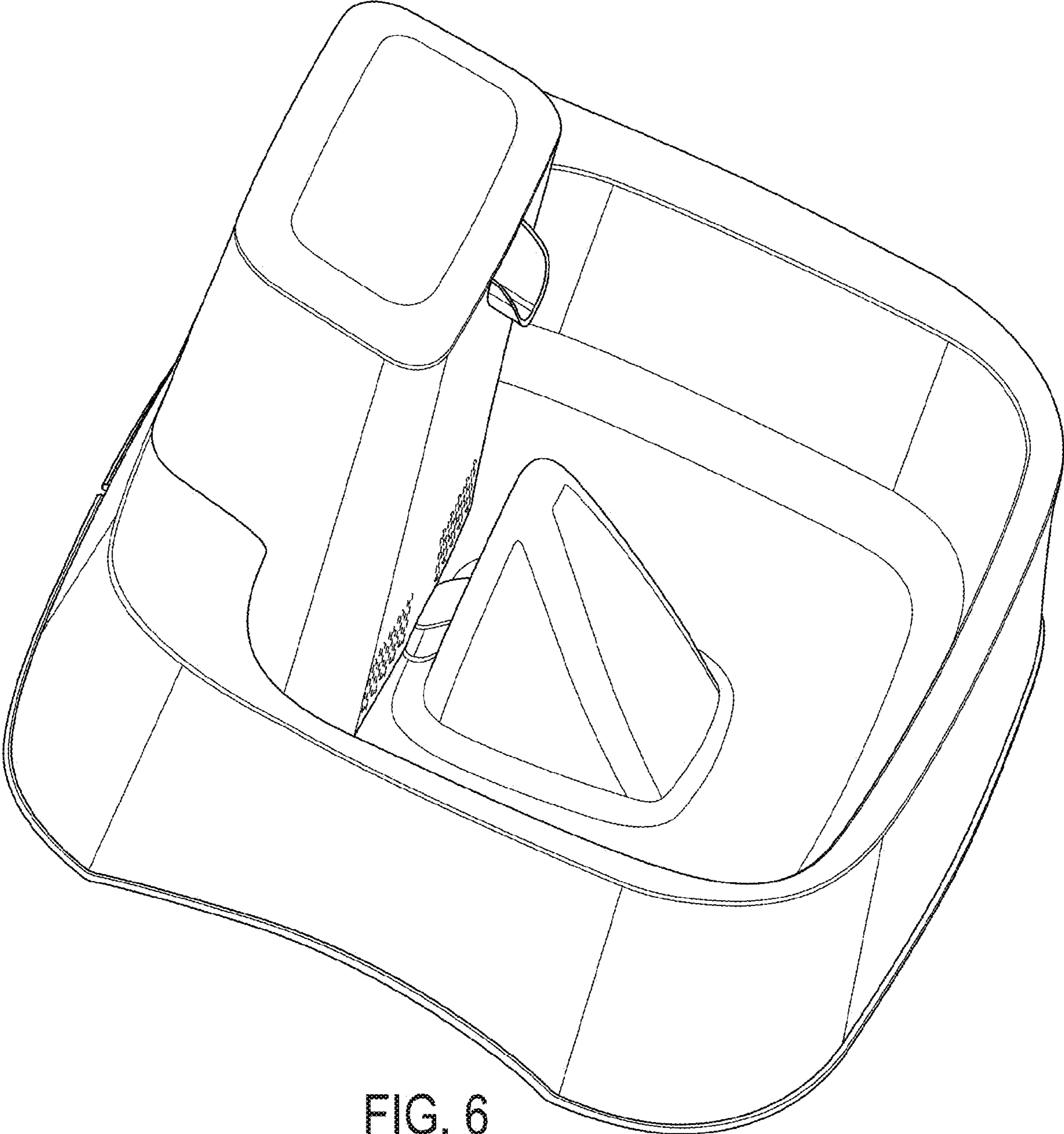


FIG. 6

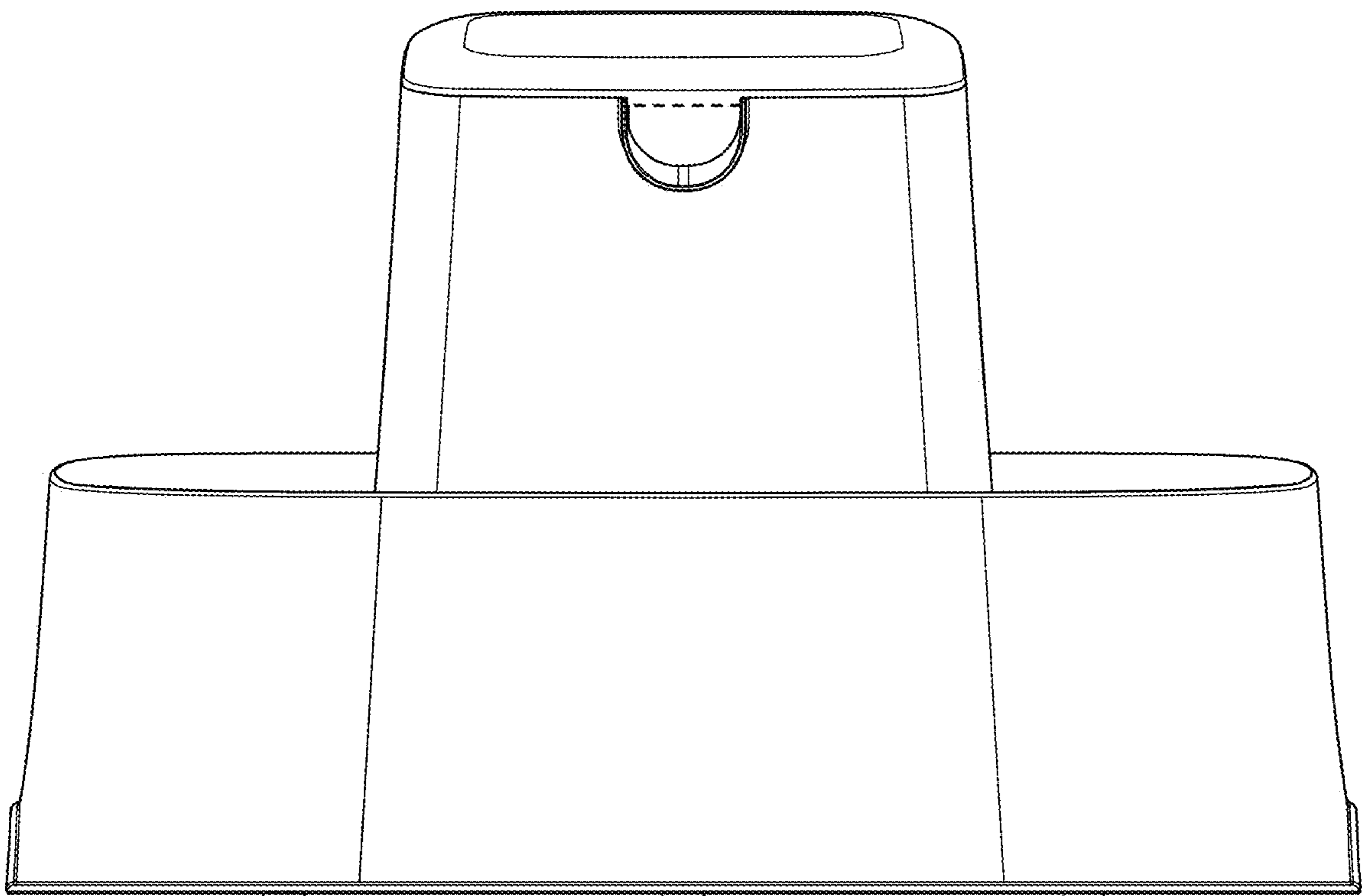


FIG. 7

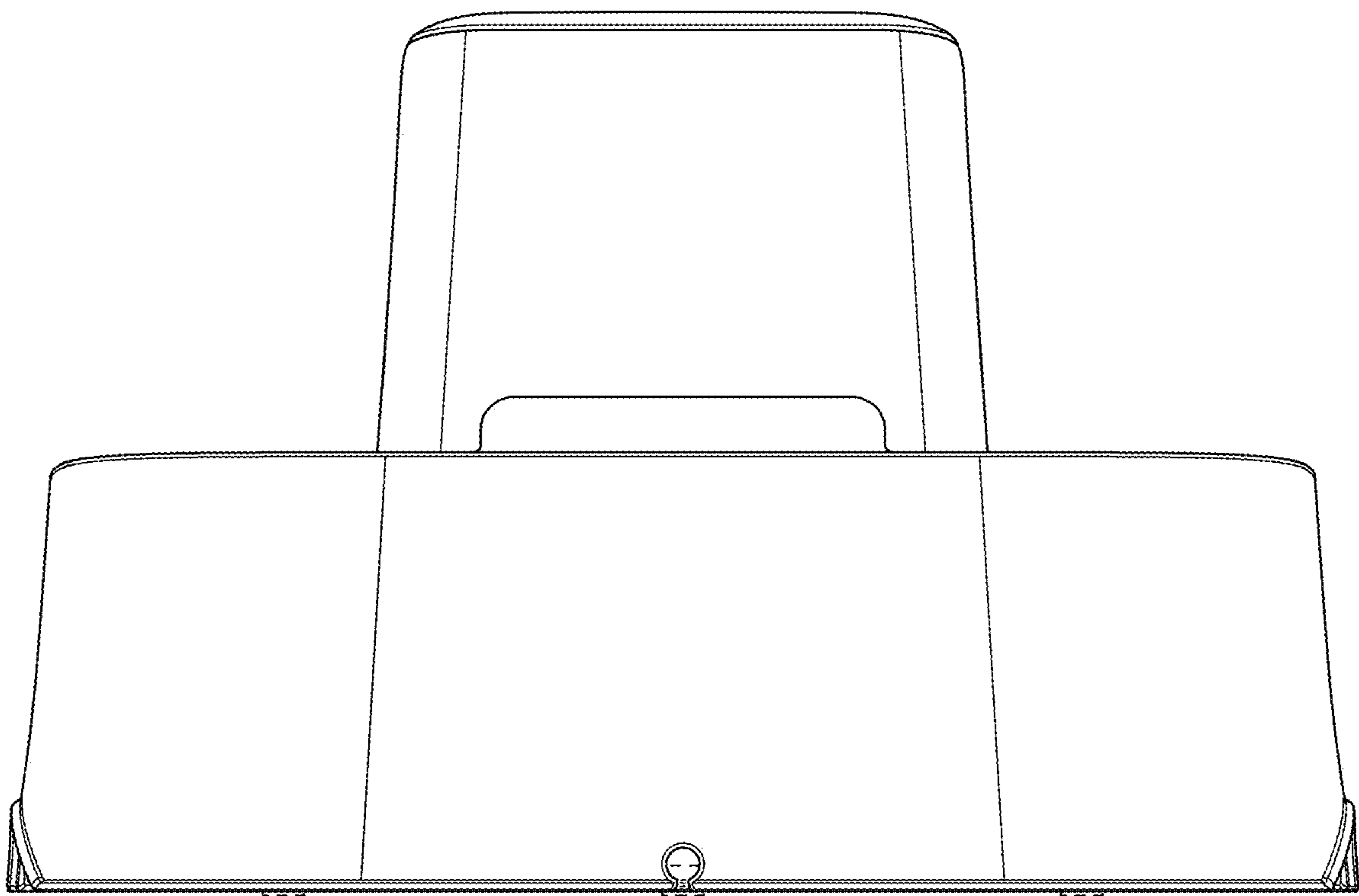


FIG. 8

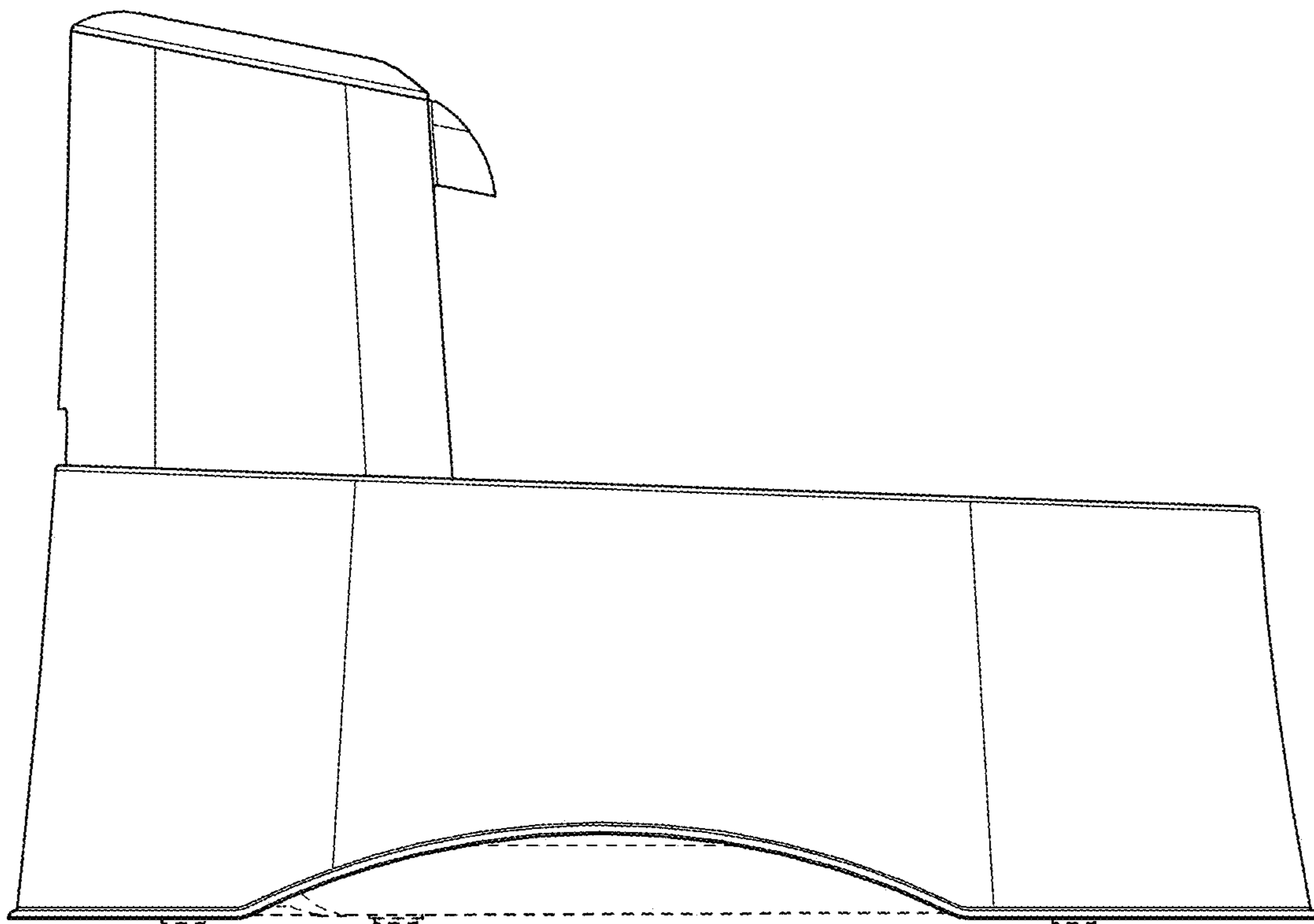


FIG. 9

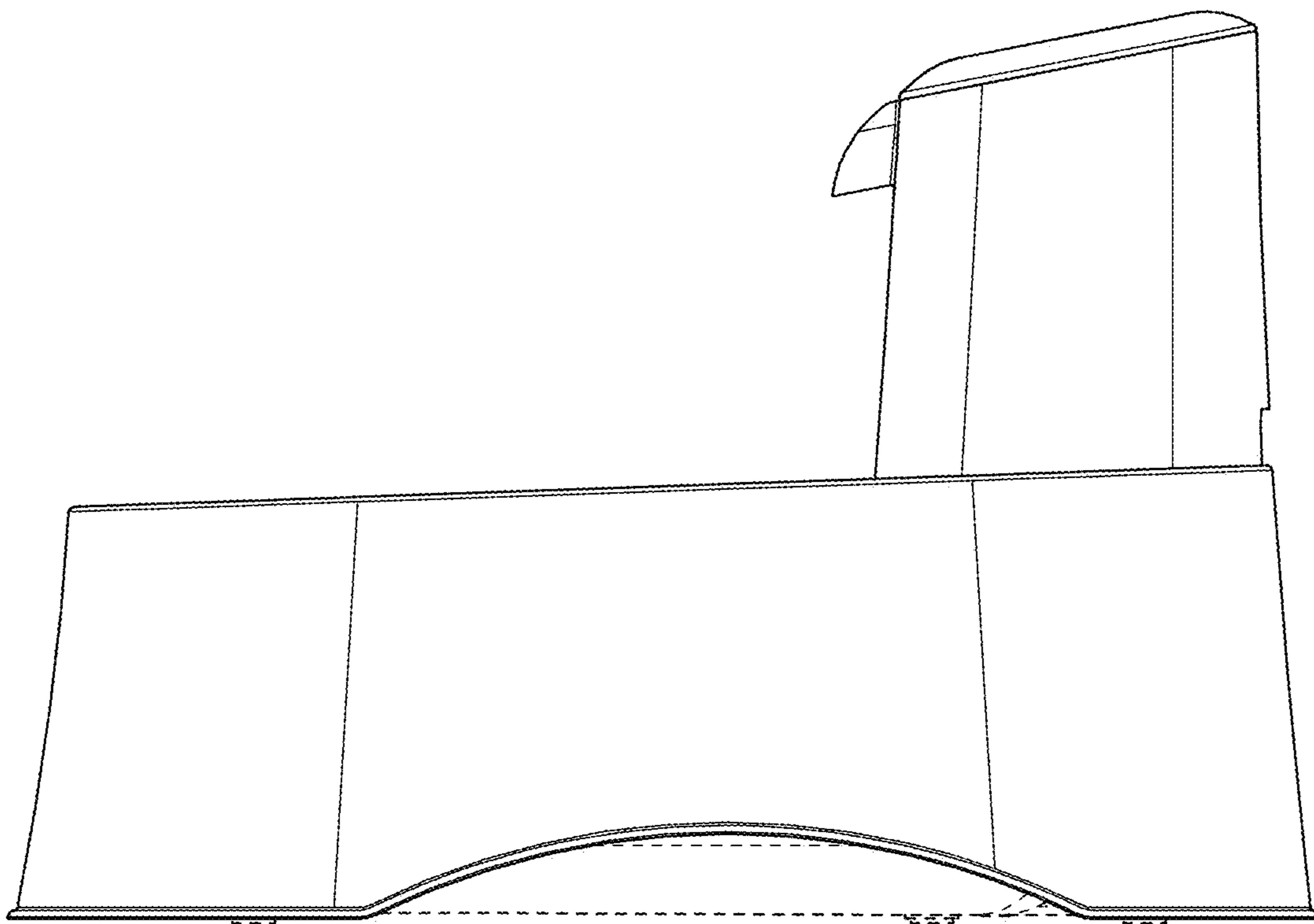


FIG. 10

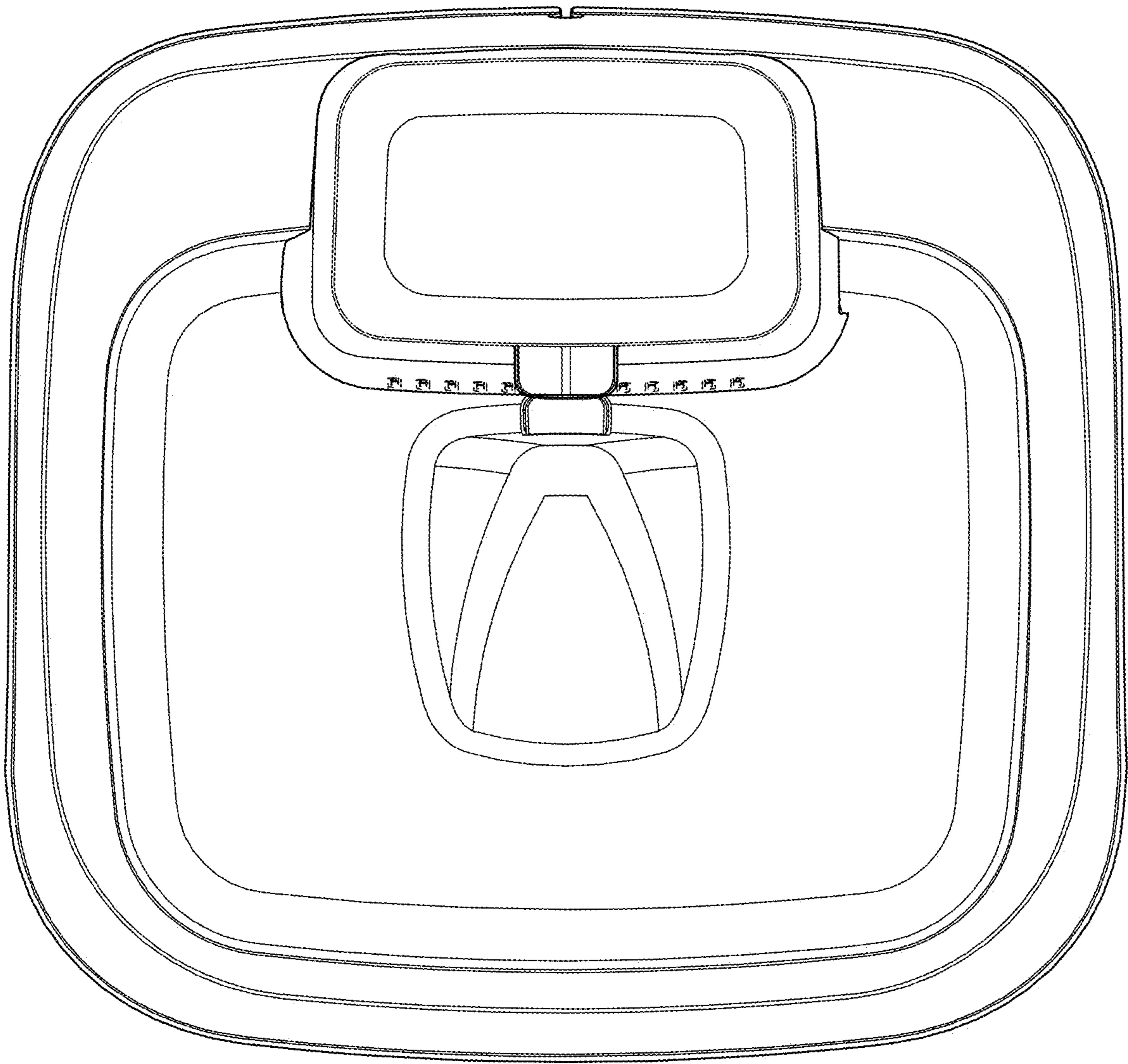


FIG. 11

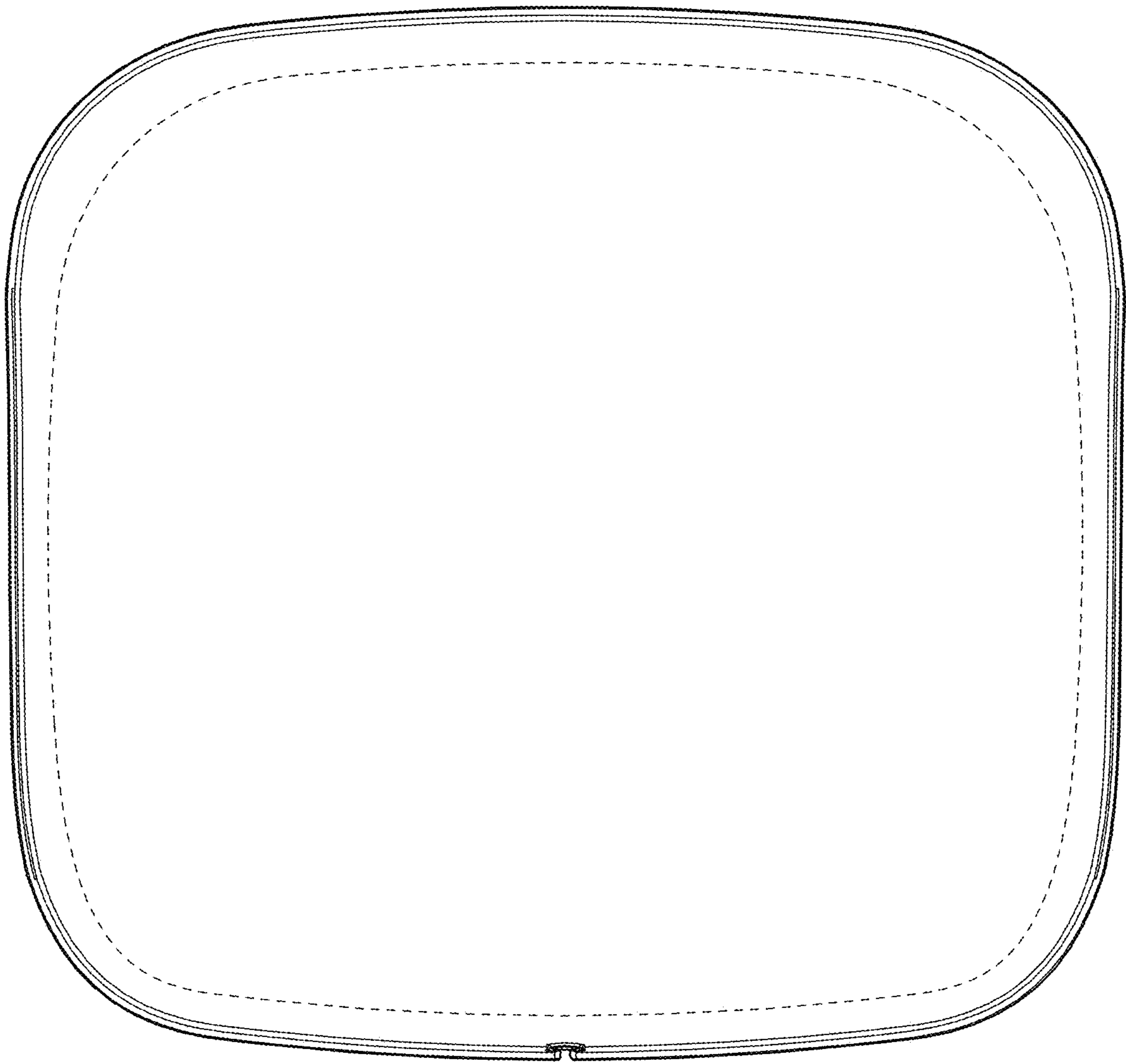


FIG. 12