



US00D918485S

(12) **United States Design Patent**
Cronkhite

(10) **Patent No.:** **US D918,485 S**

(45) **Date of Patent:** **** May 4, 2021**

- (54) **FRAMED KENNEL DOOR**
- (71) Applicant: **Good Ideas, Inc.**, Erie, PA (US)
- (72) Inventor: **Greg Cronkhite**, Draper, SD (US)
- (73) Assignee: **Good Ideas, Inc.**, Erie, PA (US)
- (**) Term: **15 Years**

D827,212	S *	8/2018	Cronkhite	D30/119
10,334,815	B1 *	7/2019	Edmonds	B62B 1/24
D874,739	S *	2/2020	Edmonds	D30/119
D880,783	S *	4/2020	Clow	D30/108
D888,345	S *	6/2020	Cronkhite	D30/119
10,694,715	B1 *	6/2020	Edmonds	A01K 1/0245
2015/0034018	A1 *	2/2015	Edmonds	A01K 1/0245
					119/496
2016/0227731	A1 *	8/2016	Cheng	E05C 1/10

- (21) Appl. No.: **29/717,067**
- (22) Filed: **Dec. 13, 2019**
- (51) **LOC (13) Cl.** **30-02**
- (52) **U.S. Cl.**
USPC **D30/119**
- (58) **Field of Classification Search**
USPC D30/108, 109, 113, 114, 116, 119;
D25/48.1, 48.3, 48.5, 48.8
CPC .. A01K 1/0245; A01K 1/0035; A01K 1/0218;
A01K 1/033
See application file for complete search history.

(56) **References Cited**

U.S. PATENT DOCUMENTS

1,961,144	A *	6/1934	Griffith	F25D 25/02
					211/153
3,564,770	A *	2/1971	Korbelic	E06B 7/02
					49/38
D220,961	S *	6/1971	Ringelman	D30/109
3,704,563	A *	12/1972	Waller	E06B 3/5481
					52/455
4,384,428	A *	5/1983	Cox	E05B 65/1033
					49/56
D301,620	S *	6/1989	Johnson, Jr.	D25/48.5
5,154,137	A *	10/1992	Stanaland	A01K 1/0218
					119/482
D443,957	S *	6/2001	Chambers	D30/109
D723,184	S *	2/2015	Jackson	D25/48.8
D778,510	S *	2/2017	Edmonds	D30/119
D827,211	S *	8/2018	Cronkhite	D30/119

OTHER PUBLICATIONS

“YouTube—Dakota Hero Kennel.” Found online Dec. 28, 2020 at [www.youtube.com](https://www.youtube.com/watch?v=0avFc_ySzVA). Video published Oct. 19, 2020. Retrieved from URL: https://www.youtube.com/watch?v=0avFc_ySzVA(Year: 2020).*

(Continued)

Primary Examiner — Mary Ann Calabrese
Assistant Examiner — Katelin G Kloberg
(74) *Attorney, Agent, or Firm* — Jonathan M. D’Silva;
MMI Intellectual Property

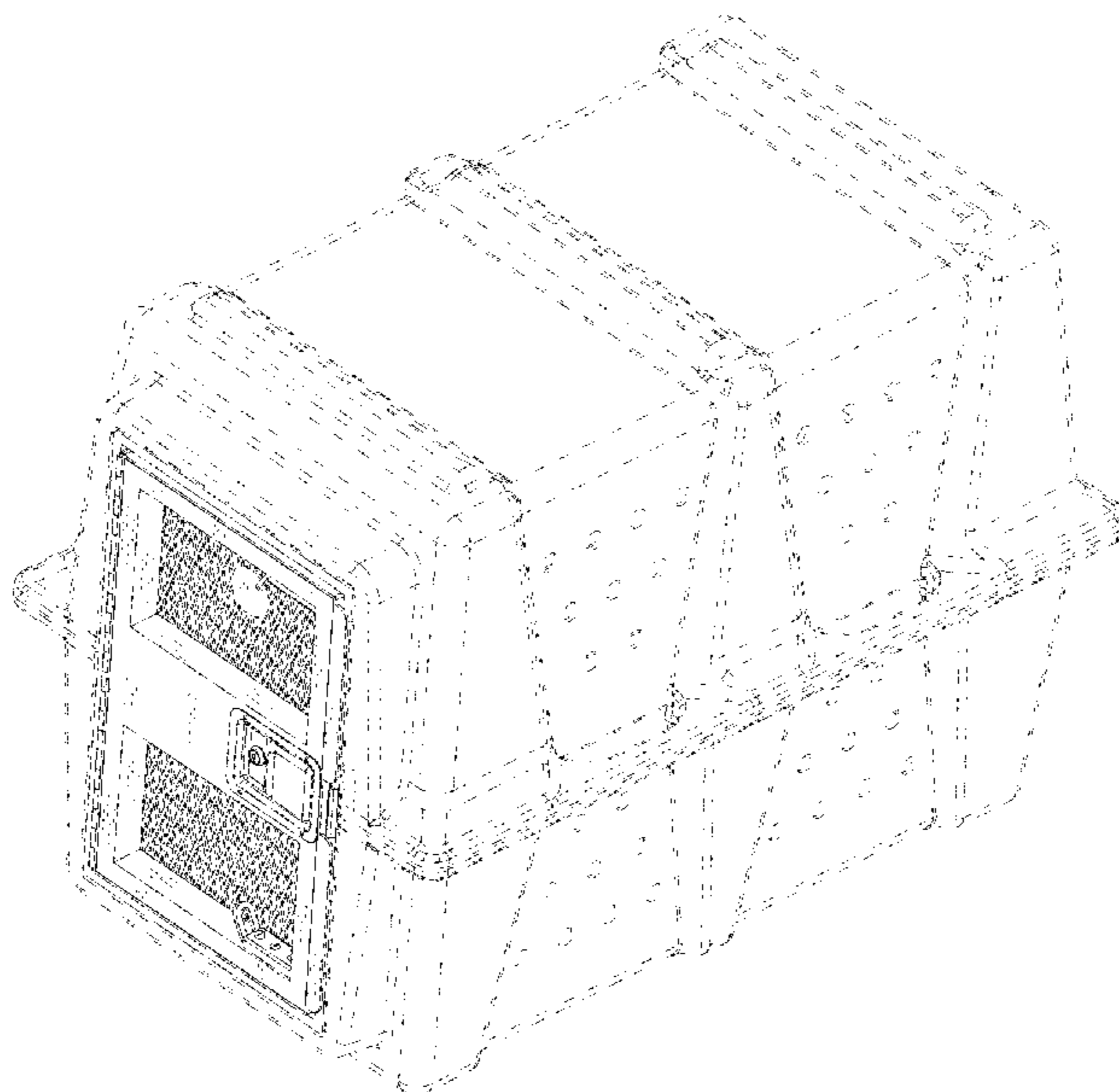
(57) **CLAIM**

The ornamental design for a framed kennel door, as shown and described.

DESCRIPTION

FIG. 1 is a perceptive view of a framed kennel door, showing my new design within an environment of use;
FIG. 2 is a perspective view of a framed kennel door;
FIG. 3 is a left side view thereof;
FIG. 4 is a bottom plan view thereof;
FIG. 5 is a top plan view thereof;
FIG. 6 is a right side view thereof;
FIG. 7 is a front view thereof; and,
FIG. 8 is a back view thereof.
In FIG. 1, the broken lines depicting a kennel represent environmental subject matter that forms no part of the claimed design.

1 Claim, 4 Drawing Sheets



(56)

References Cited

OTHER PUBLICATIONS

“Dakota Hero Kennel.” Found online Dec. 28, 2020 at www.dakota283.com. Page archived Oct. 31, 2020. Retrieved from URL: <https://web.archive.org/web/20201031042425/https://dakota283.com/product/dakota-hero-crate-law-enforcement-military-dogs/> (Year: 2020).*

“Crash rated dog crates for large dogs.” Found online Dec. 29, 2020 at www.medium.com. Page dated Mar. 17, 2018. Retrieved from URL: <https://medium.com/@nick.pnw/crash-rated-dog-crates-for-large-dogs-ef09b9d4a6db> (Year: 2018).*

“Impact Dog Crates.” Found online Dec. 29, 2020 at www.amazon.com. Product first available Jan. 23, 2013. Retrieved from URL: https://www.amazon.com/dp/B00B4MWHHM?_encoding=UTF8&%2AVersion%2A=1&%2Aentries%2A=0 (Year: 2013).*

* cited by examiner

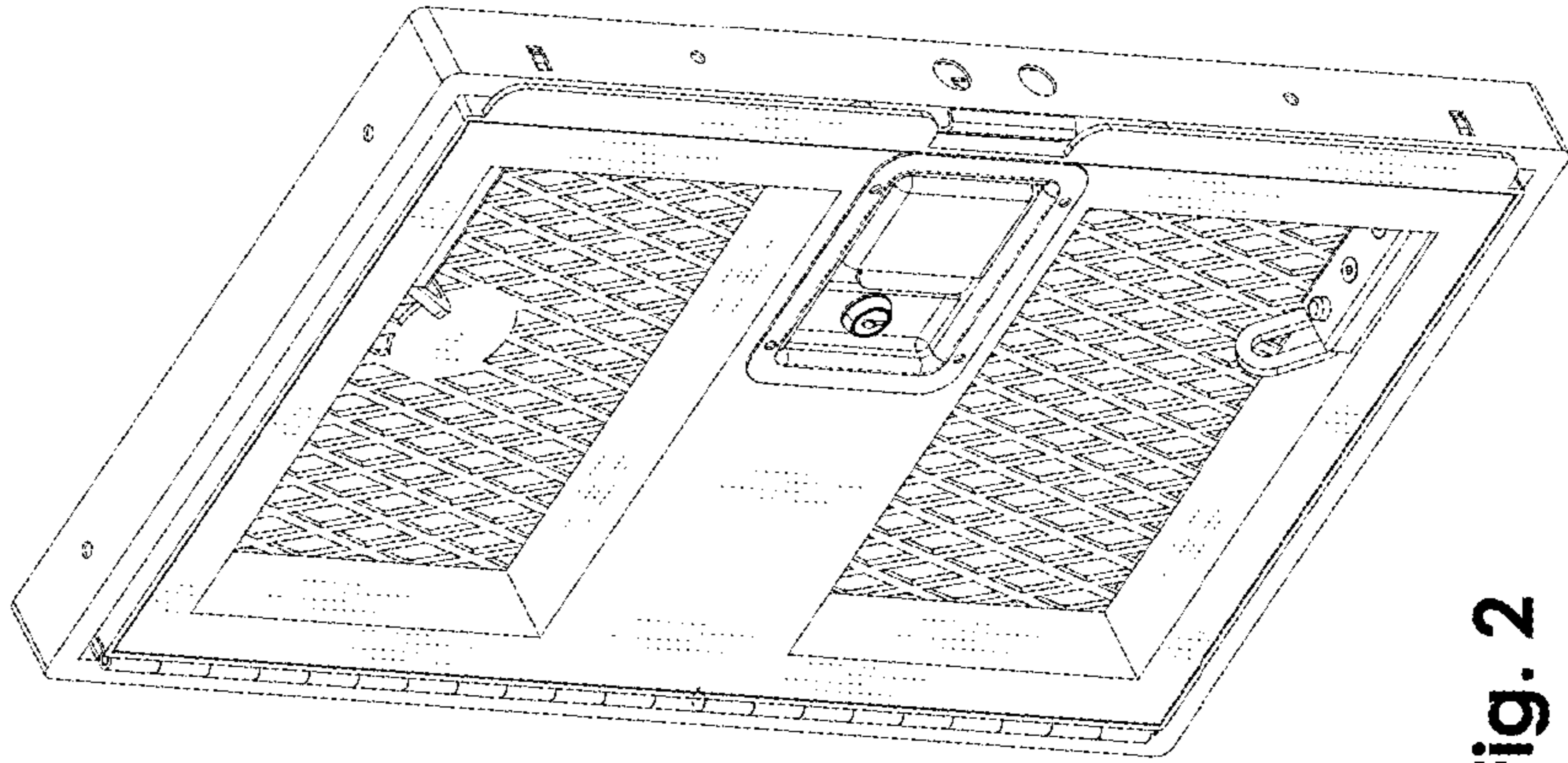


Fig. 2

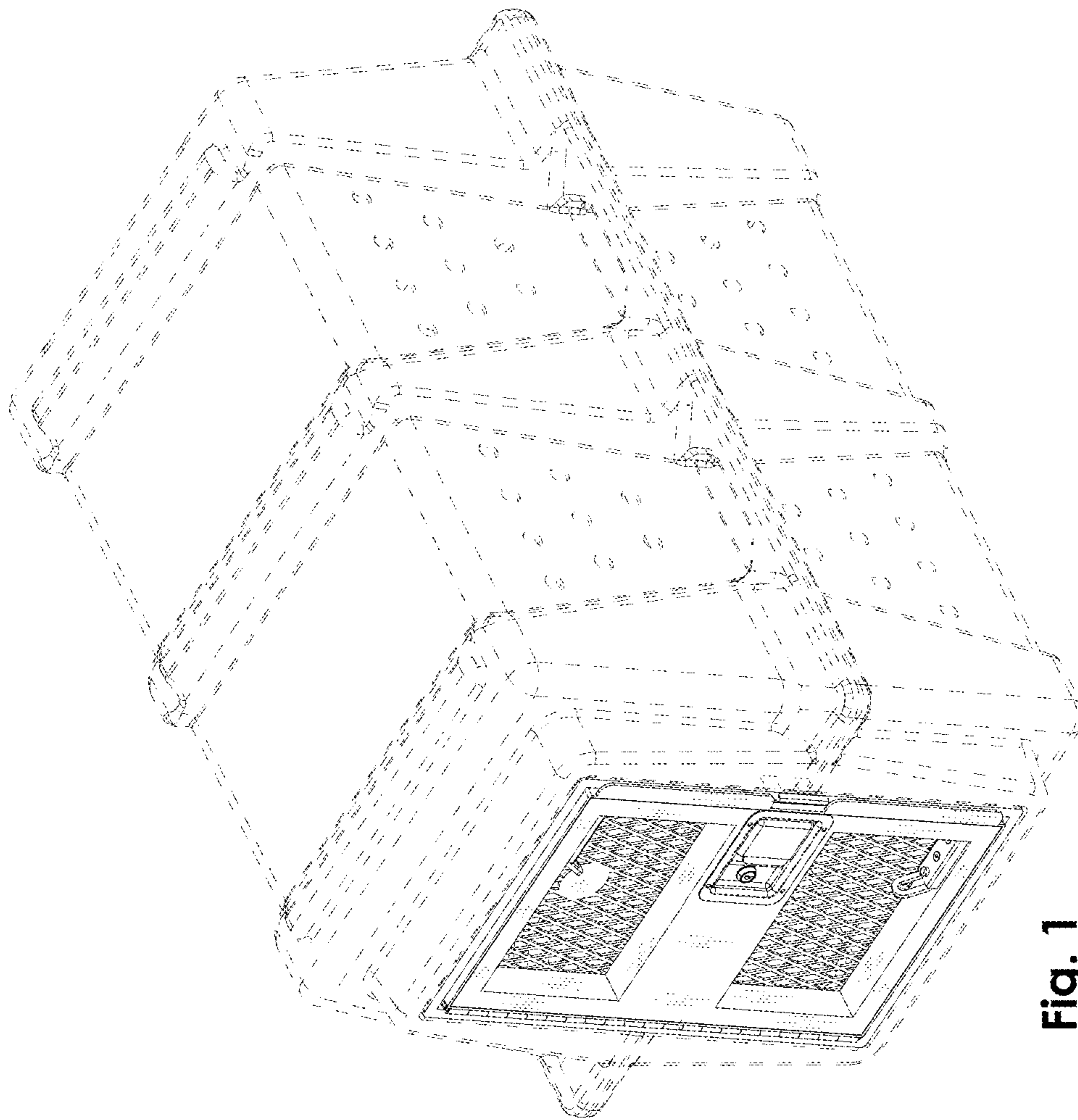


Fig. 1

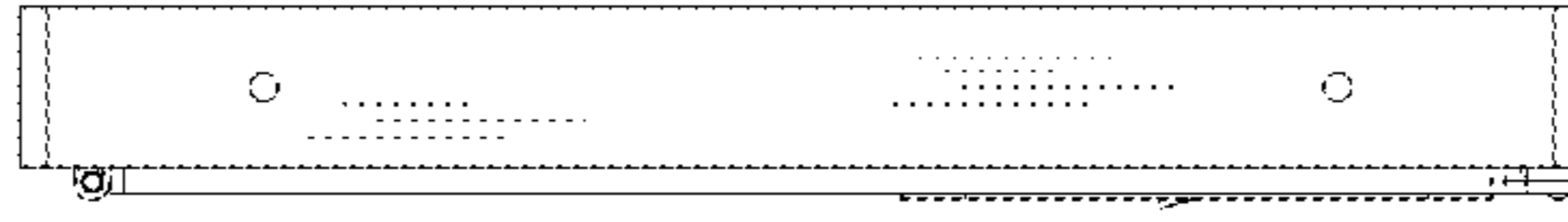


Fig. 5

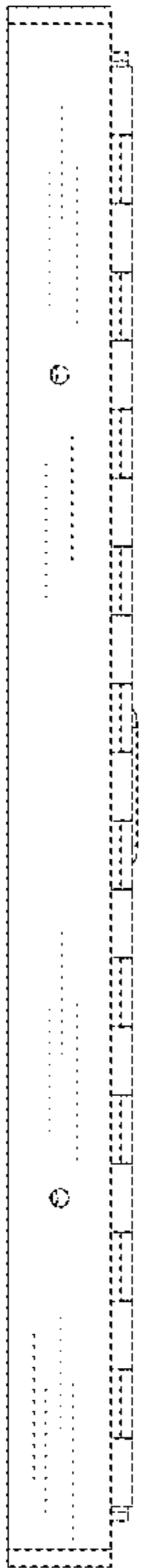


Fig. 3

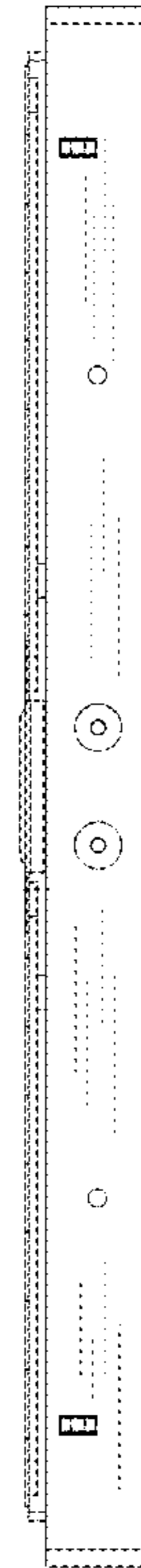


Fig. 6

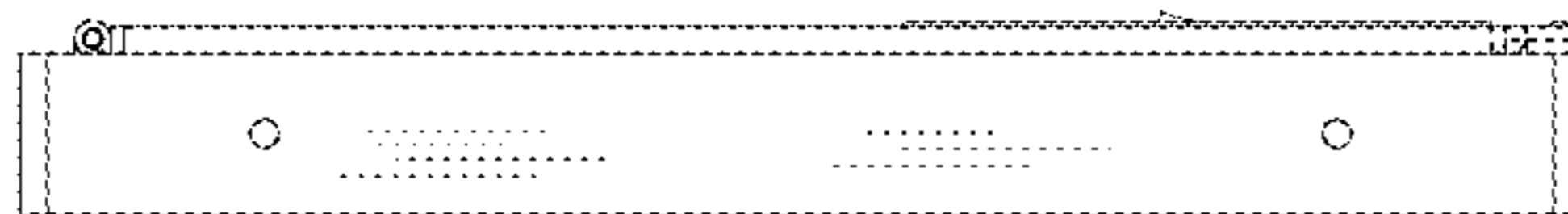


Fig. 4

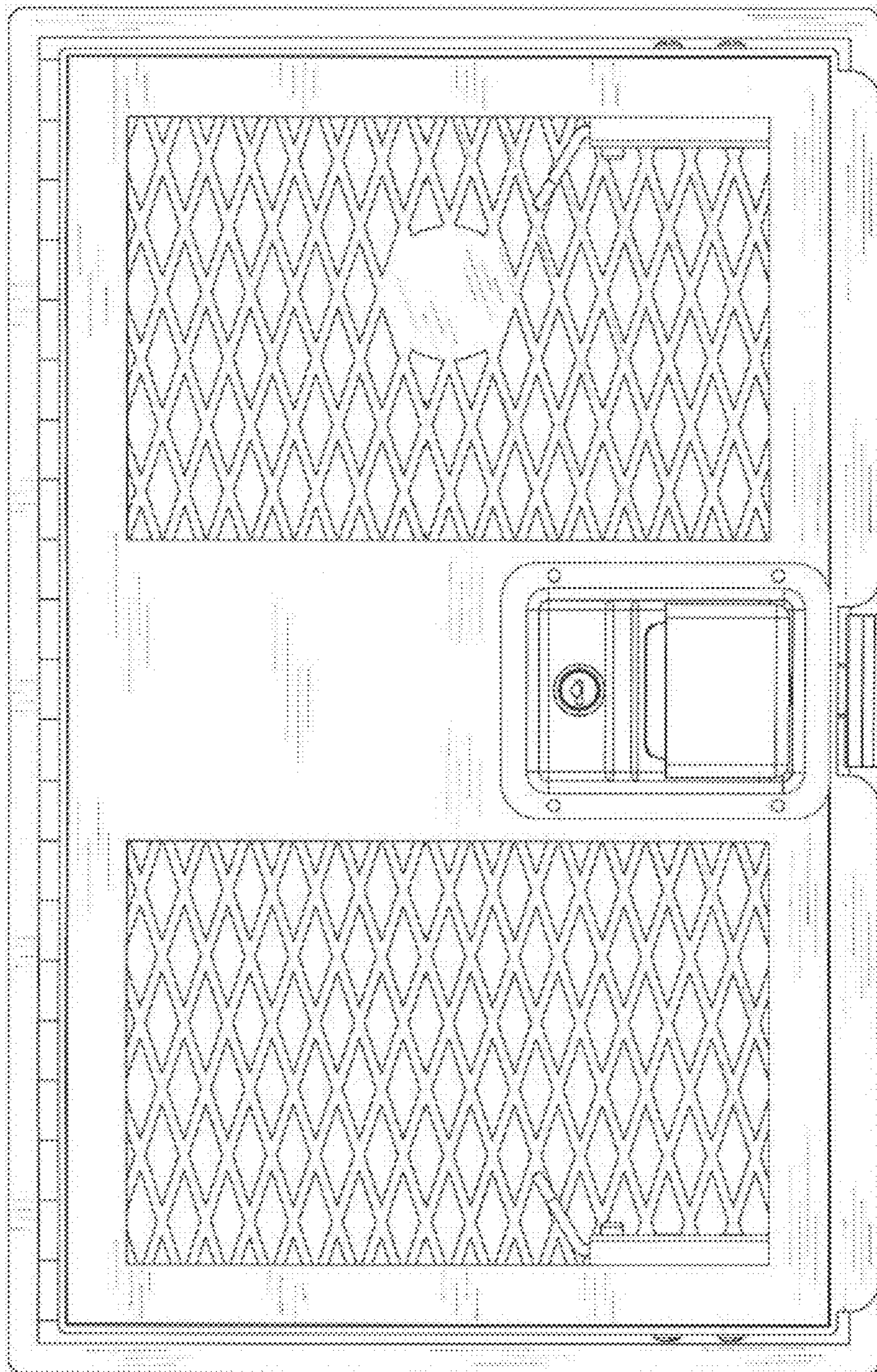


Fig. 7

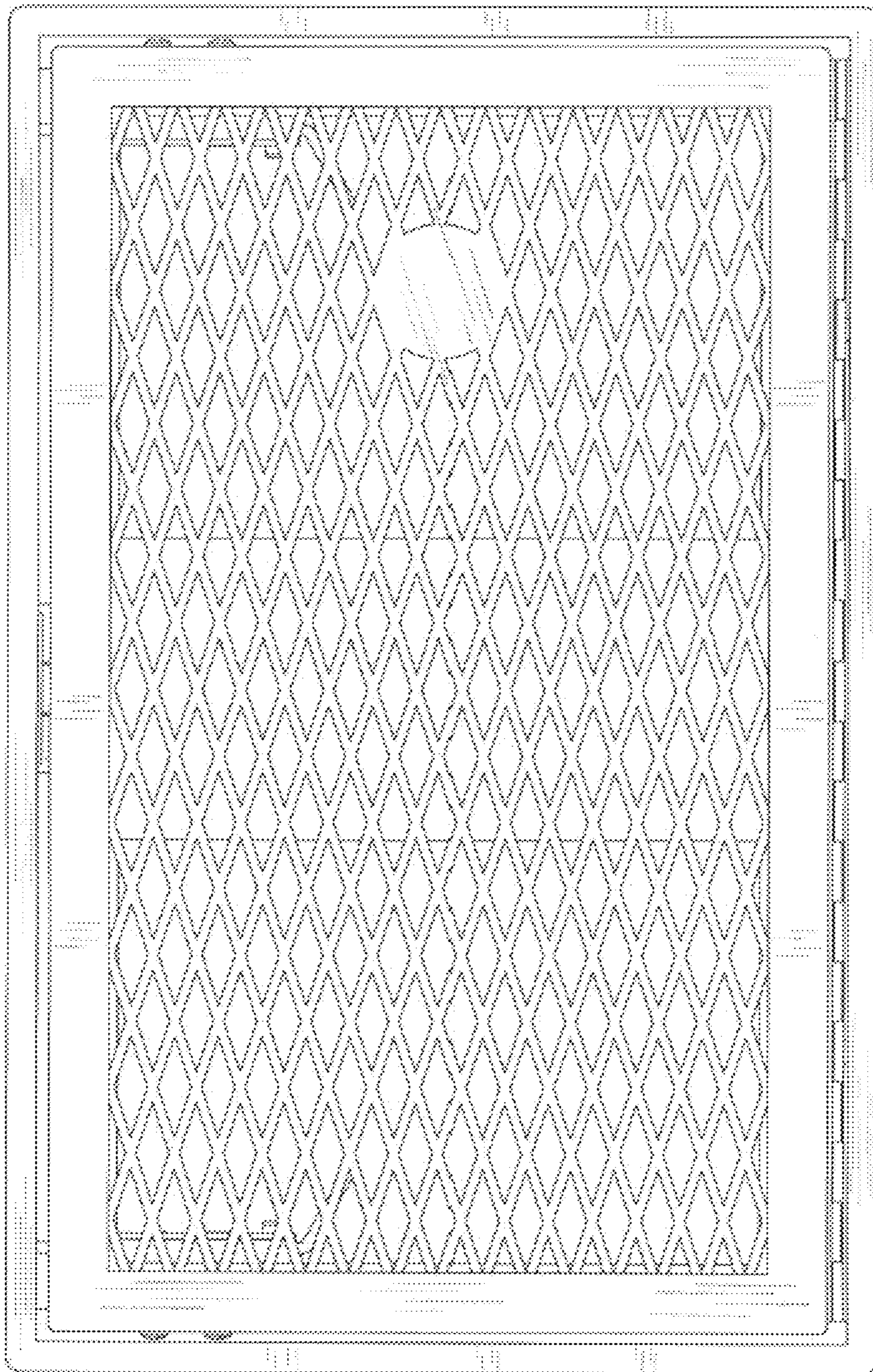


Fig. 8