



US00D918480S

(12) **United States Design Patent** (10) **Patent No.:** **US D918,480 S**
LoPachin (45) **Date of Patent:** **** May 4, 2021**

(54) **DUAL PROTECTIVE FINGER COVER**

(71) Applicant: **Paydin Layne LoPachin**, Abilene, TX (US)

(72) Inventor: **Paydin Layne LoPachin**, Abilene, TX (US)

(**) Term: **15 Years**

(21) Appl. No.: **29/693,274**

(22) Filed: **May 31, 2019**

(51) **LOC (13) Cl.** **02-06**

(52) **U.S. Cl.**
USPC **D29/114**

(58) **Field of Classification Search**
USPC D29/114, 113
CPC A41D 13/087; A61F 13/105
See application file for complete search history.

(56) **References Cited**

U.S. PATENT DOCUMENTS

1,642,311	A *	9/1927	Richardson	A01D 46/247 56/328.1
D358,687	S *	5/1995	Kim	D29/113
D657,528	S *	4/2012	Bomser	D2/617
D686,779	S *	7/2013	Williams	D29/114
D874,066	S *	1/2020	Szilagy	A41D 19/00 D29/116.2
2012/0317697	A1 *	12/2012	Bomser	A41D 13/087 2/161.2
2013/0160178	A1 *	6/2013	Jones	A41D 13/087 2/69

OTHER PUBLICATIONS

Coerni Finger Sleeves, posted at amazon.com, posting date not given, [online], [site visited Nov. 6, 2020]. Available from Internet,

URL: <https://www.amazon.com/Coerni-Breathable-Basketball-Volleyball-Badminton/dp/B07B9XS374> (Year: 2020).*

Elastic Finger Sleeves, posted at wish.com, posting date not given, [online], [site visited Nov. 6, 2020]. Available from Internet, URL: <https://www.wish.com/product/5a98fea36d638a3436b4e5d2> (Year: 2020).*

Luta Gear GrippTaP finger sleeves, posted at ebay.com, posting date not given, [online], [site visited Nov. 6, 2020]. Available from Internet, URL: <https://www.ebay.com/c/21007917158> (Year: 2020).*

(Continued)

Primary Examiner — George D. Kirschbaum

Assistant Examiner — Maria J. Edwards

(74) *Attorney, Agent, or Firm* — Quickpatents, LLC; Kevin Prince

(57) **CLAIM**

The ornamental design for a dual protective finger cover, as shown and described.

DESCRIPTION

FIG. 1 is a rear perspective view of a dual protective finger cover, showing my new design;

FIG. 2 is a front elevational view thereof;

FIG. 3 is a rear elevational view thereof;

FIG. 4 is a left-side elevational view thereof;

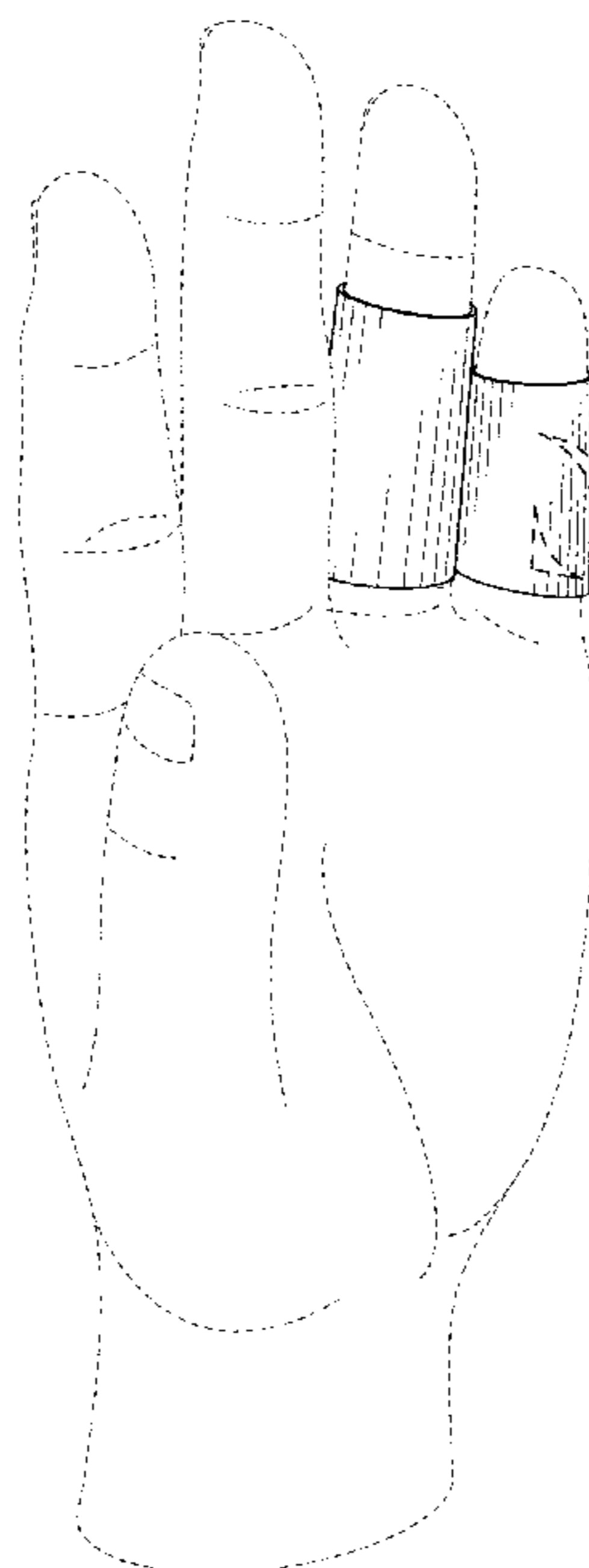
FIG. 5 is a right-side elevational view thereof;

FIG. 6 is a top plan view thereof; and,

FIG. 7 is a bottom plan view thereof.

The broken lines showing a hand in FIGS. 1-3 depict environmental matter and form no part of the claimed design. The hand is omitted in FIGS. 4-7 for clarity of illustration. The broken lines showing a logo on the finger cover in the figures depict portions of the finger cover that form no part of the claimed design.

1 Claim, 5 Drawing Sheets



(56)

References Cited

OTHER PUBLICATIONS

Nagini fortify ring, posted at facebook.com, posting date Apr. 26, 2019, [online], [site visited Nov. 6, 2020]. Available from Internet, URL: https://ms-my.facebook.com/Naginibrand/posts/our-fortify-ring-is-here-repost-paydin_laynetoday-is-a-big-one-as-most-of-you-ka/2131027707189446/ (Year: 2019).*

Neoprene sleeve finger sleeve, posted at stockxmedical.com, posting date not given, [online], [site visited Nov. 6, 2020]. Available from Internet, URL: <https://www.stockxmedical.com/en/neoprene-finger-sleeve.html> (Year: 2020).*

Norco Neoprene Finger Sleeves, posted at ncmmedical.com, posting date not given, [online], [site visited Nov. 6, 2020], Available from Internet, URL: https://www.ncmedical.com/item_1100.html#!prettyPhoto (Year: 2020).*

* cited by examiner

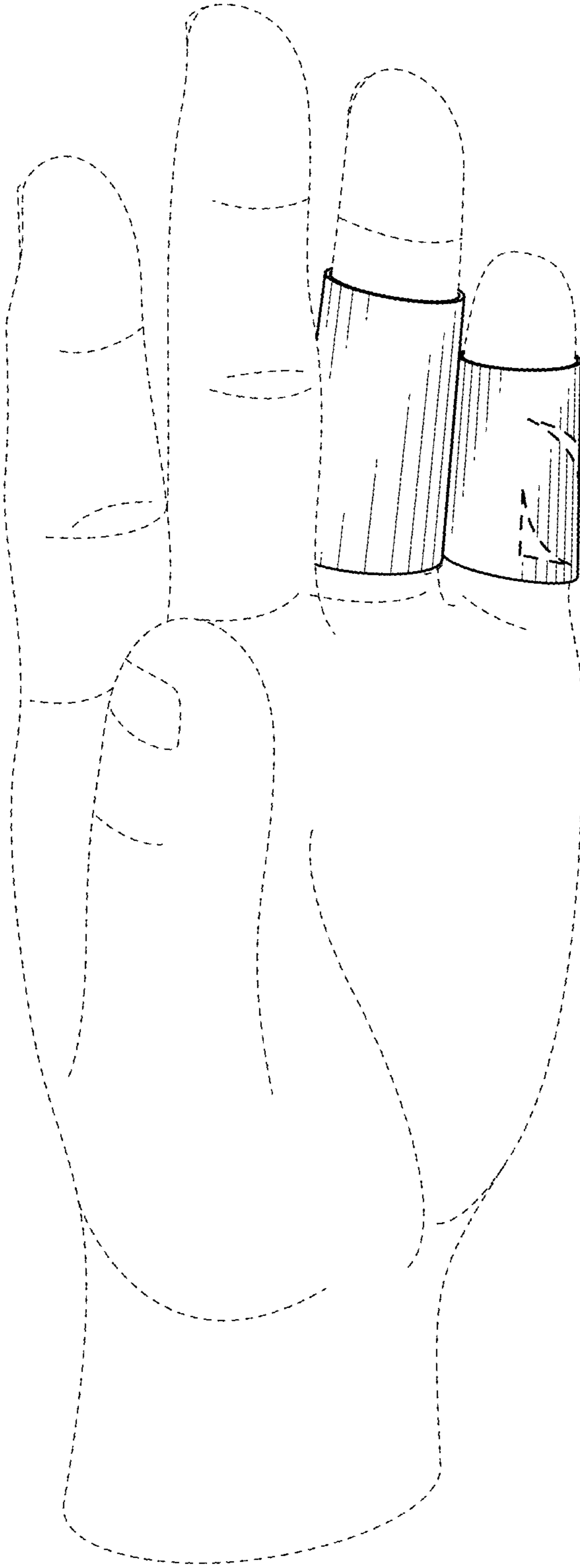


FIG. 1

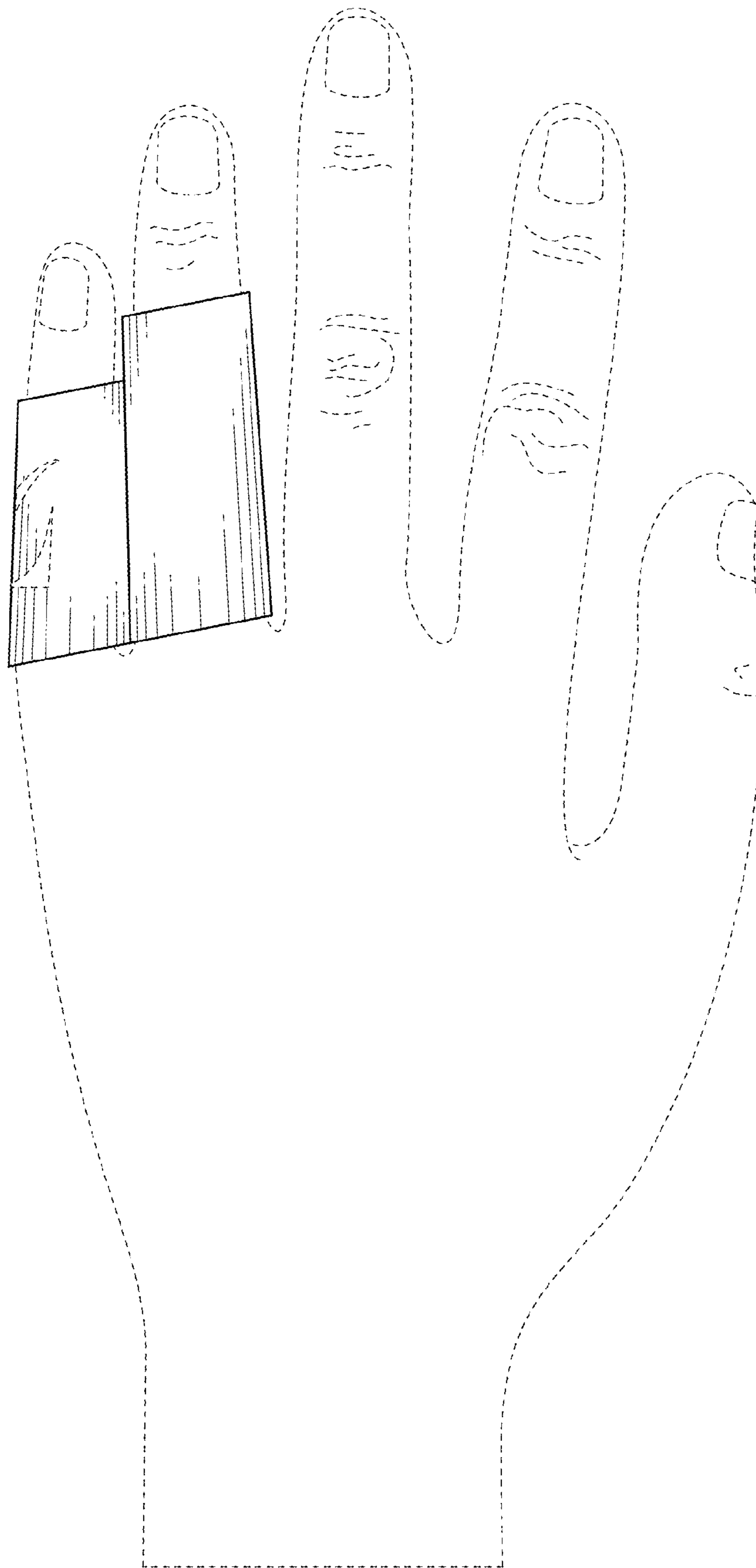


FIG. 2

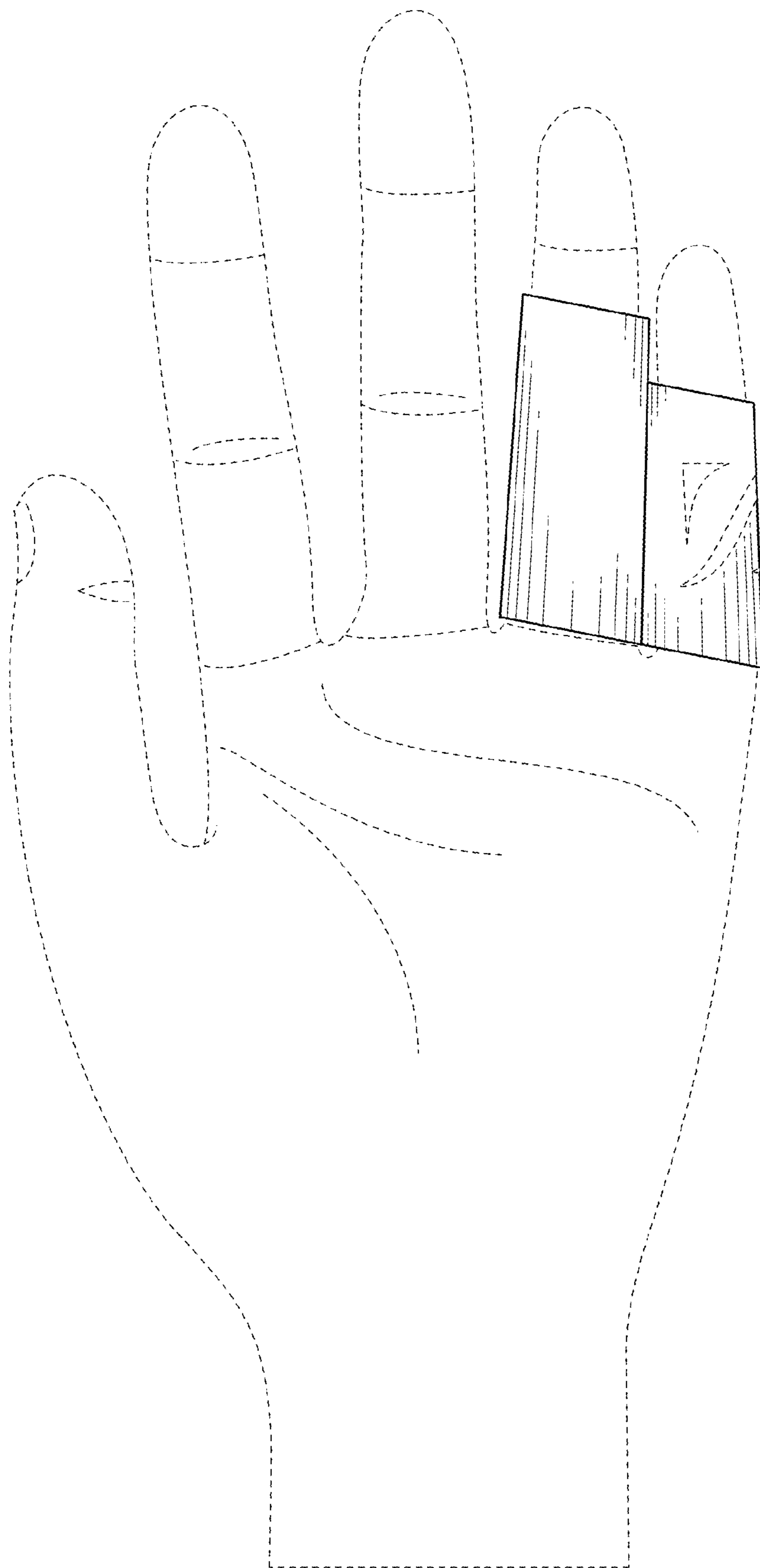


FIG. 3

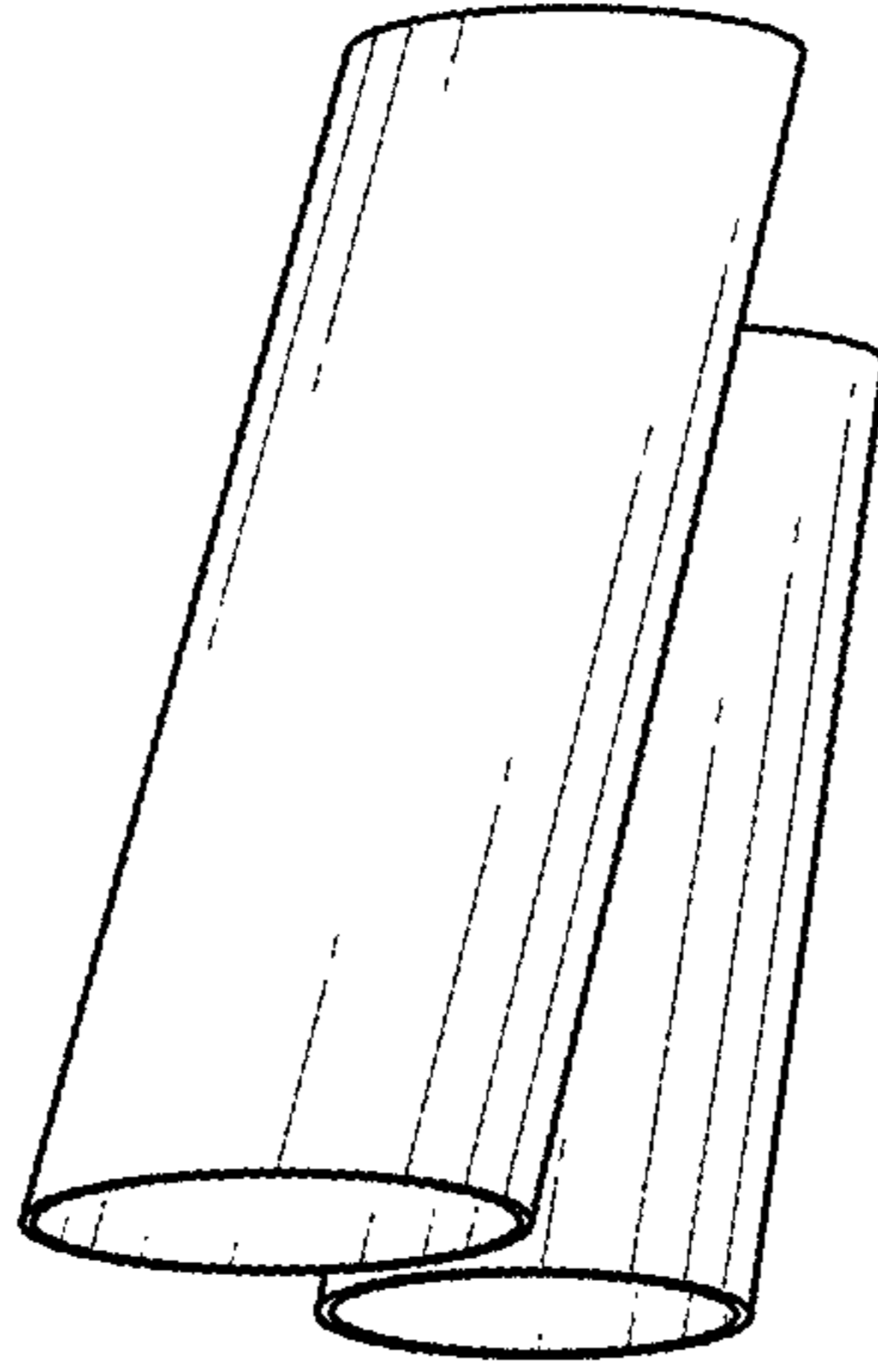


FIG. 4

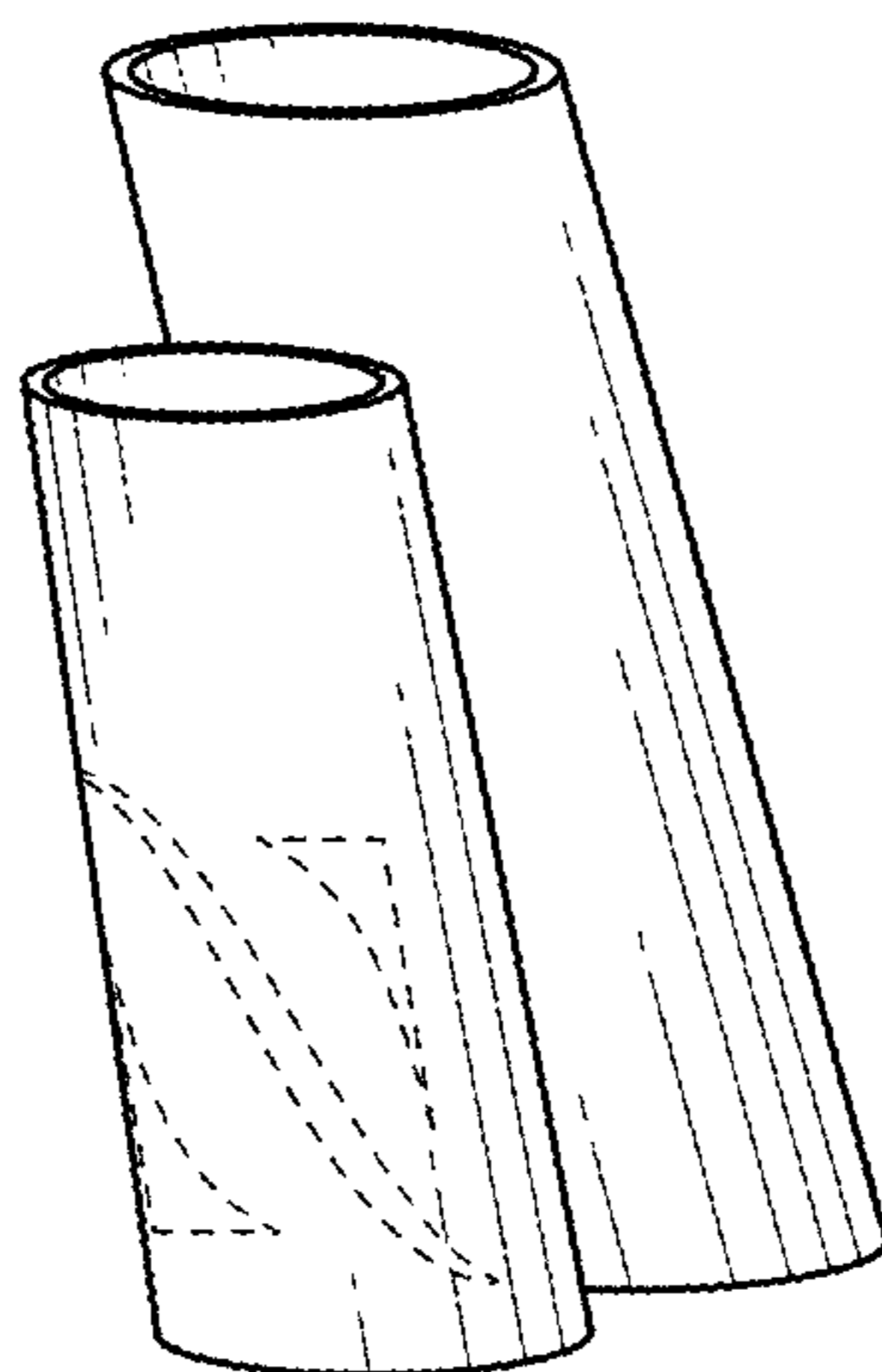


FIG. 5

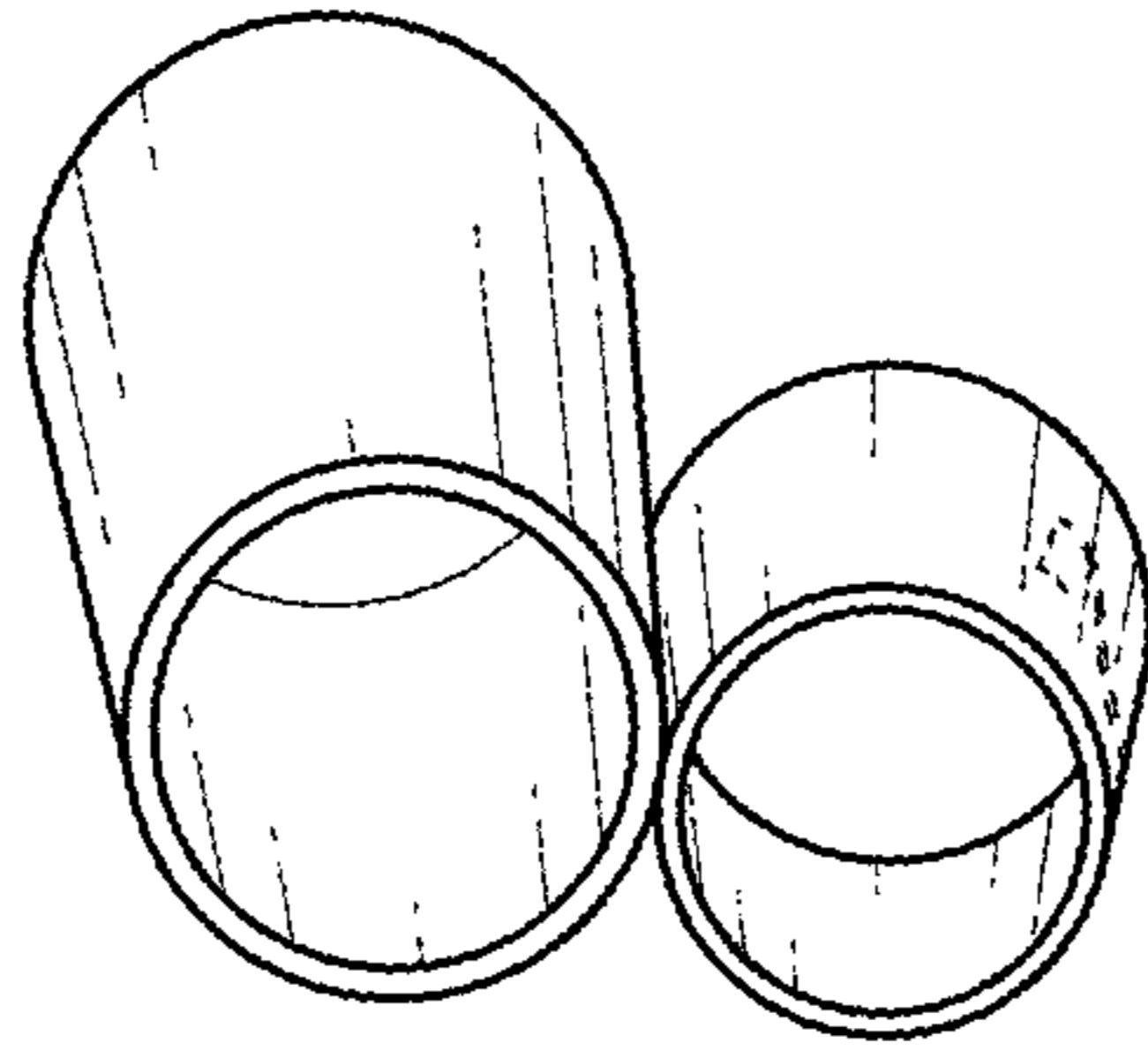


FIG. 6

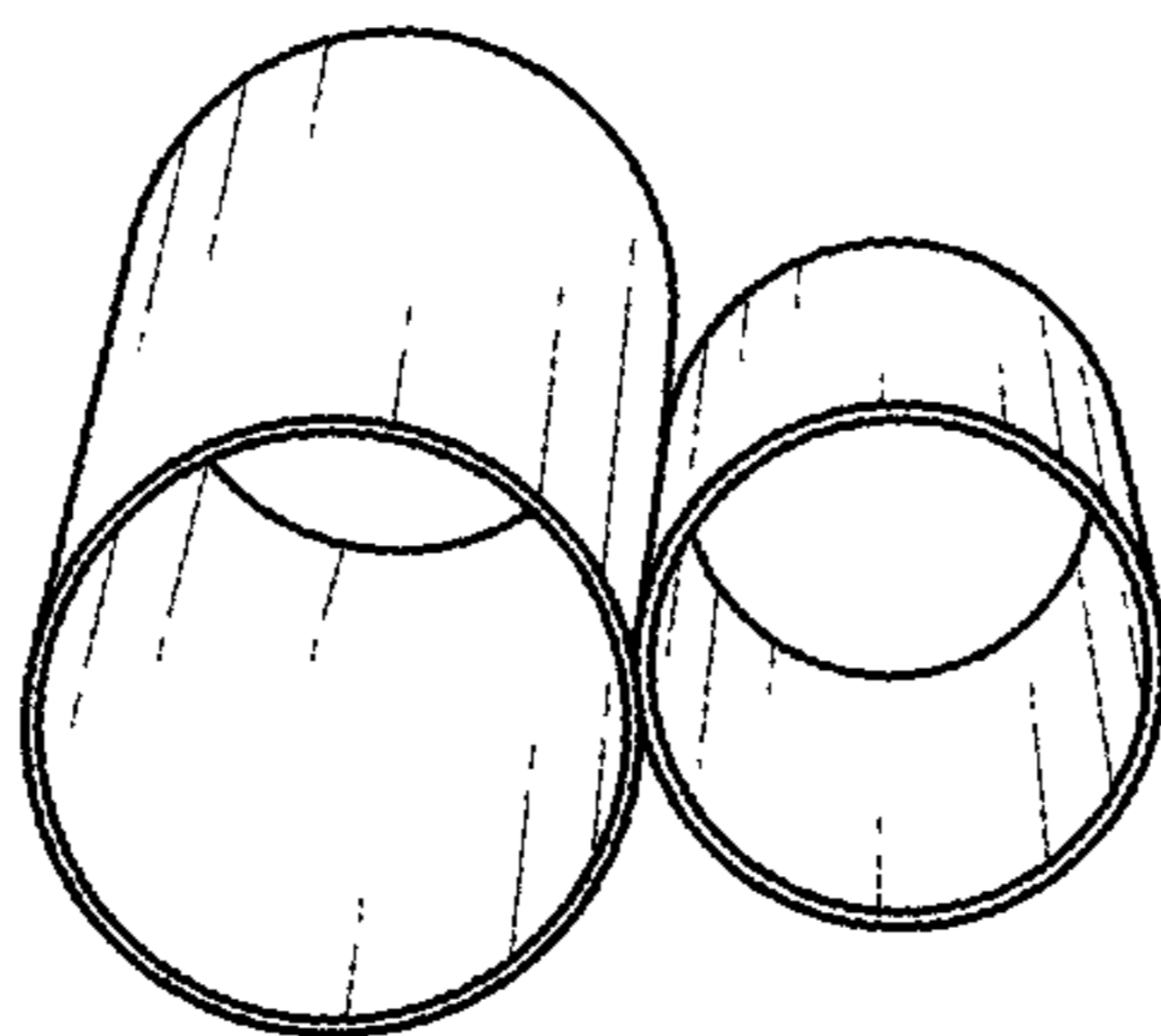


FIG. 7