



US00D918478S

(12) **United States Design Patent** (10) **Patent No.:** **US D918,478 S**
McGrath (45) **Date of Patent:** **** May 4, 2021**

(54) **COSMETIC BOX**

FOREIGN PATENT DOCUMENTS

(71) Applicant: **Pat McGrath Cosmetics LLC**, New York, NY (US)

GB 2578149 A * 4/2020 A45D 33/24
WO WO-2020079626 A1 * 4/2020 A45D 33/008

(72) Inventor: **Patricia McGrath**, New York, NY (US)

* cited by examiner

(73) Assignee: **Pat McGrath Cosmetics LLC**, New York, NY (US)

Primary Examiner — Jennifer Rivard

(74) *Attorney, Agent, or Firm* — Ziegler IP Law Group, LLC

(**) Term: **15 Years**

(57) **CLAIM**

The ornamental design for a cosmetic box, as shown and described.

(21) Appl. No.: **29/683,807**

DESCRIPTION

(22) Filed: **Mar. 15, 2019**

(51) **LOC (13) Cl.** **28-03**

(52) **U.S. Cl.**
USPC **D28/83**

(58) **Field of Classification Search**
USPC D28/76–84; D3/247, 249
CPC A45D 33/28; A45D 2040/223–228; A45D 33/08; A45D 33/16; A45D 33/18–24; A45D 40/22–222; A45D 40/24; A45D 33/00; A45D 33/003; A45D 33/005; A45D 33/006; A45D 33/008; A45C 11/008; A45C 2011/006–007
See application file for complete search history.

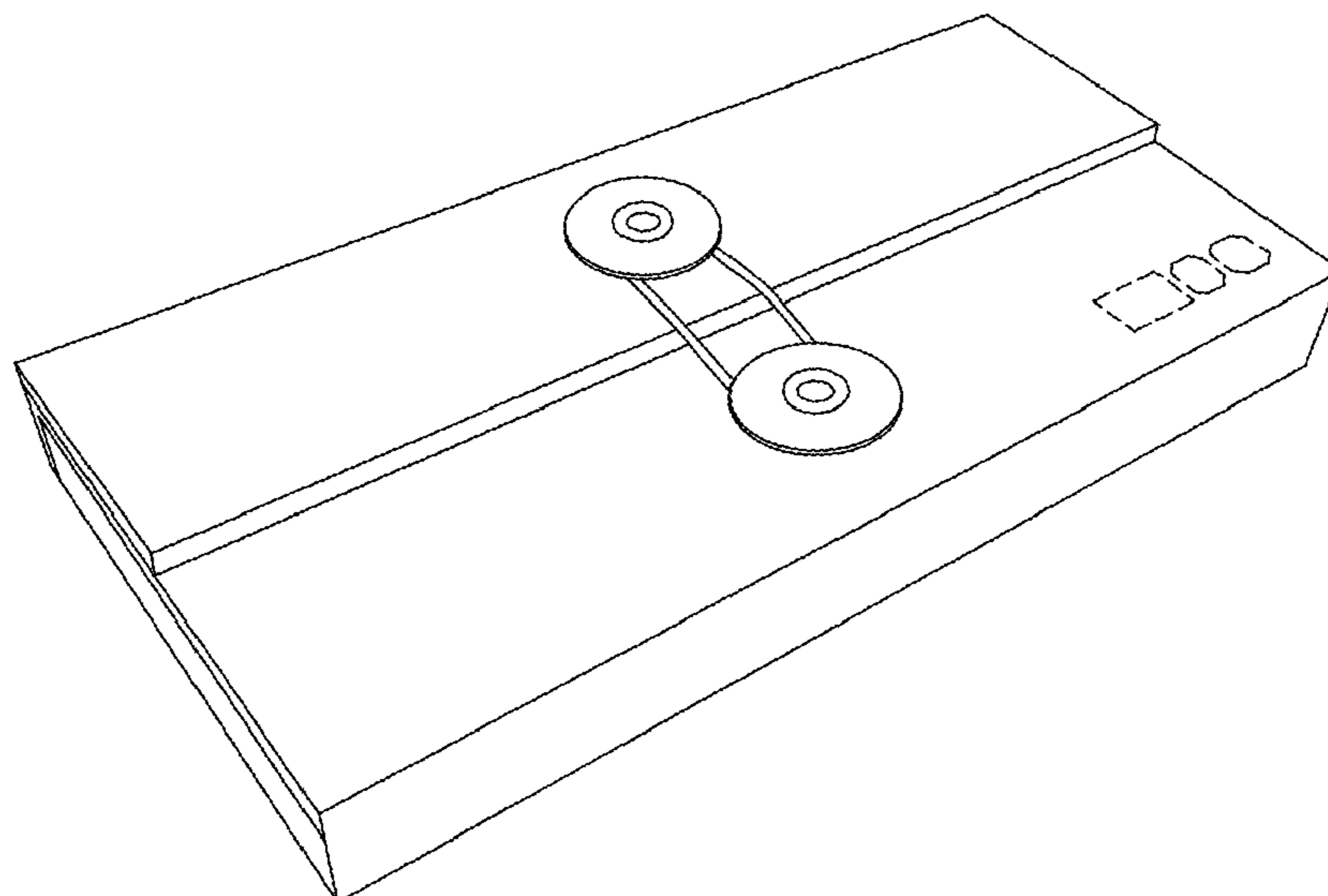
FIG. 1 is a perspective view of a first embodiment of a cosmetic box showing the new design, the cosmetic box shown in a closed state;
FIG. 2 is a perspective view of the cosmetic box of FIG. 1 shown in an open state;
FIG. 3 is a top view thereof;
FIG. 4 is a bottom view thereof;
FIG. 5 is a side view thereof;
FIG. 6 is another side view thereof;
FIG. 7 is a top view thereof; and
FIG. 8 is a bottom view thereof;
FIG. 9 is a perspective view of a second embodiment of a cosmetic box showing the new design, the cosmetic box shown in a closed state;
FIG. 10 is a perspective view of the cosmetic box of FIG. 9 shown in an open state;
FIG. 11 is a top view thereof;
FIG. 12 is a bottom view thereof;
FIG. 13 is a side view thereof;
FIG. 14 is another side view thereof;
FIG. 15 is a top view thereof; and,
FIG. 16 is a bottom view thereof.
The broken lines illustrate a portion of the cosmetic box and form no part of the claimed design.

(56) **References Cited**

U.S. PATENT DOCUMENTS

- D723,742 S * 3/2015 Shteyssel D28/83
- D790,134 S * 6/2017 Shteyssel D28/64.3
- D815,358 S * 4/2018 Wolfe D28/83
- D831,275 S * 10/2018 Maynard D28/83
- D846,872 S * 4/2019 Wood D3/247
- 2013/0133686 A1 * 5/2013 Shteyssel A45D 40/24
132/314
- 2017/0265622 A1 * 9/2017 Eberlein A45D 40/24
- 2019/0110578 A1 * 4/2019 Maurin A45D 40/22
- 2020/0047965 A1 * 2/2020 McGrath B65D 77/0453
- 2020/0121054 A1 * 4/2020 McGrath A45D 33/18

1 Claim, 16 Drawing Sheets



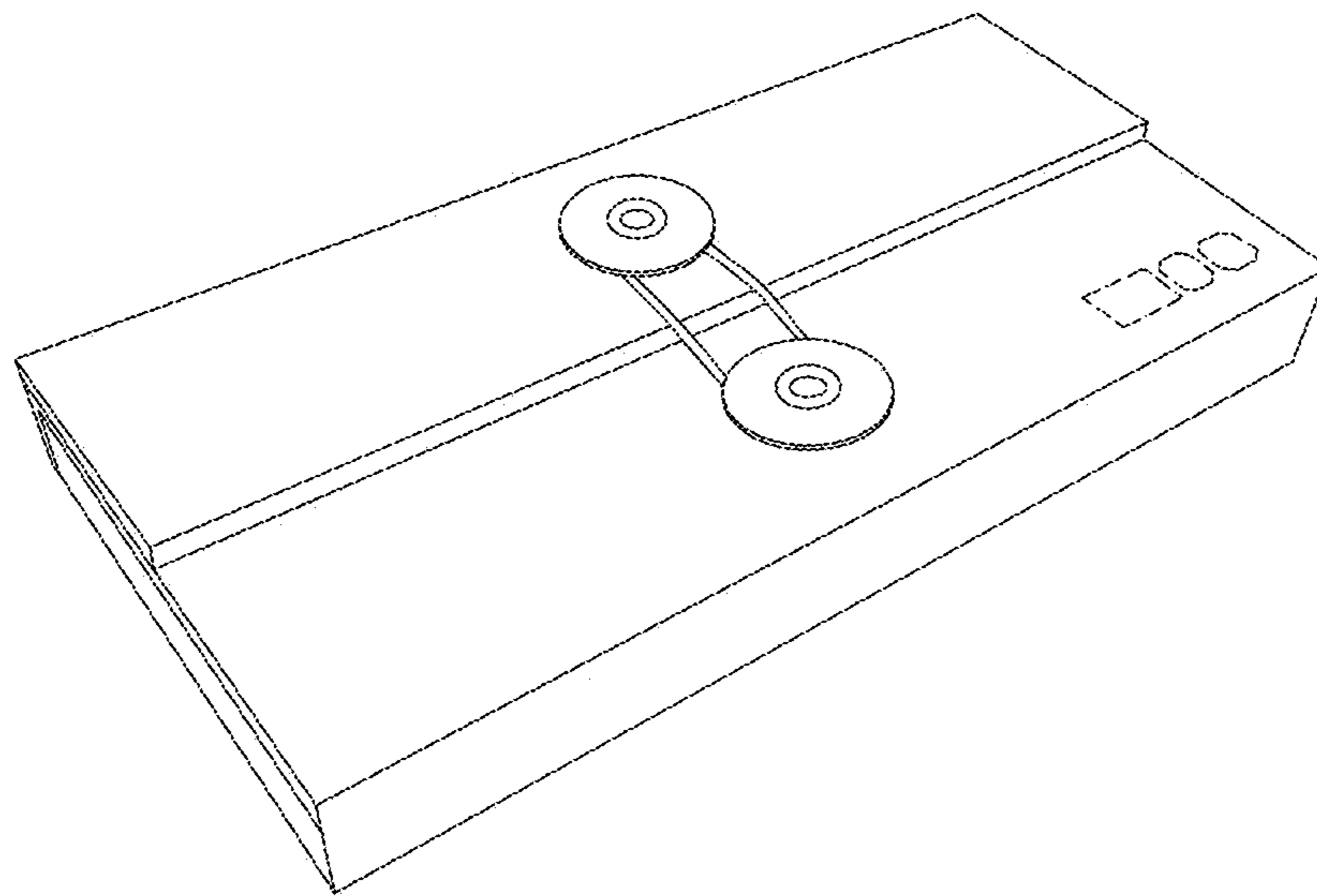


FIG. 1

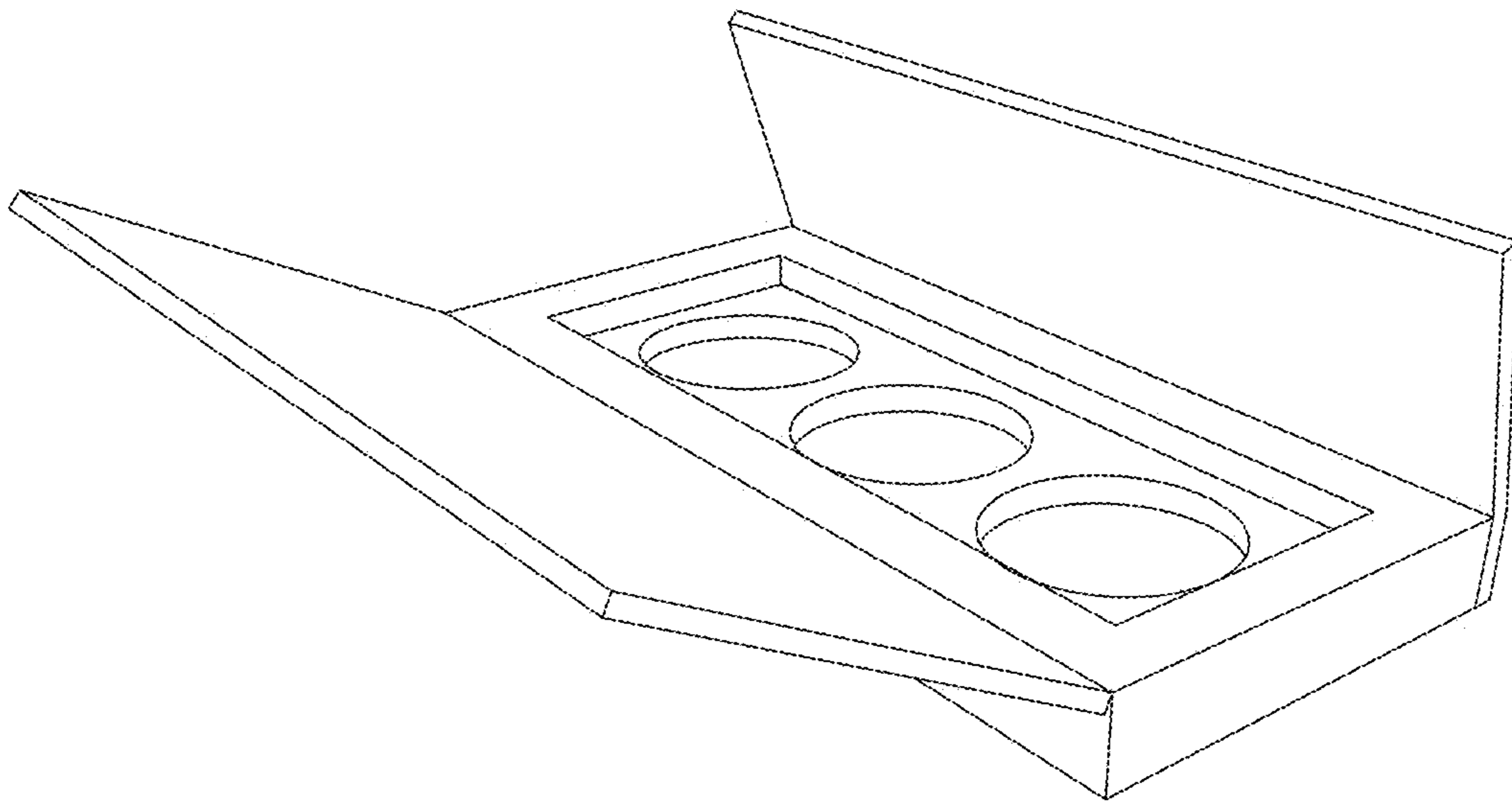


FIG. 2

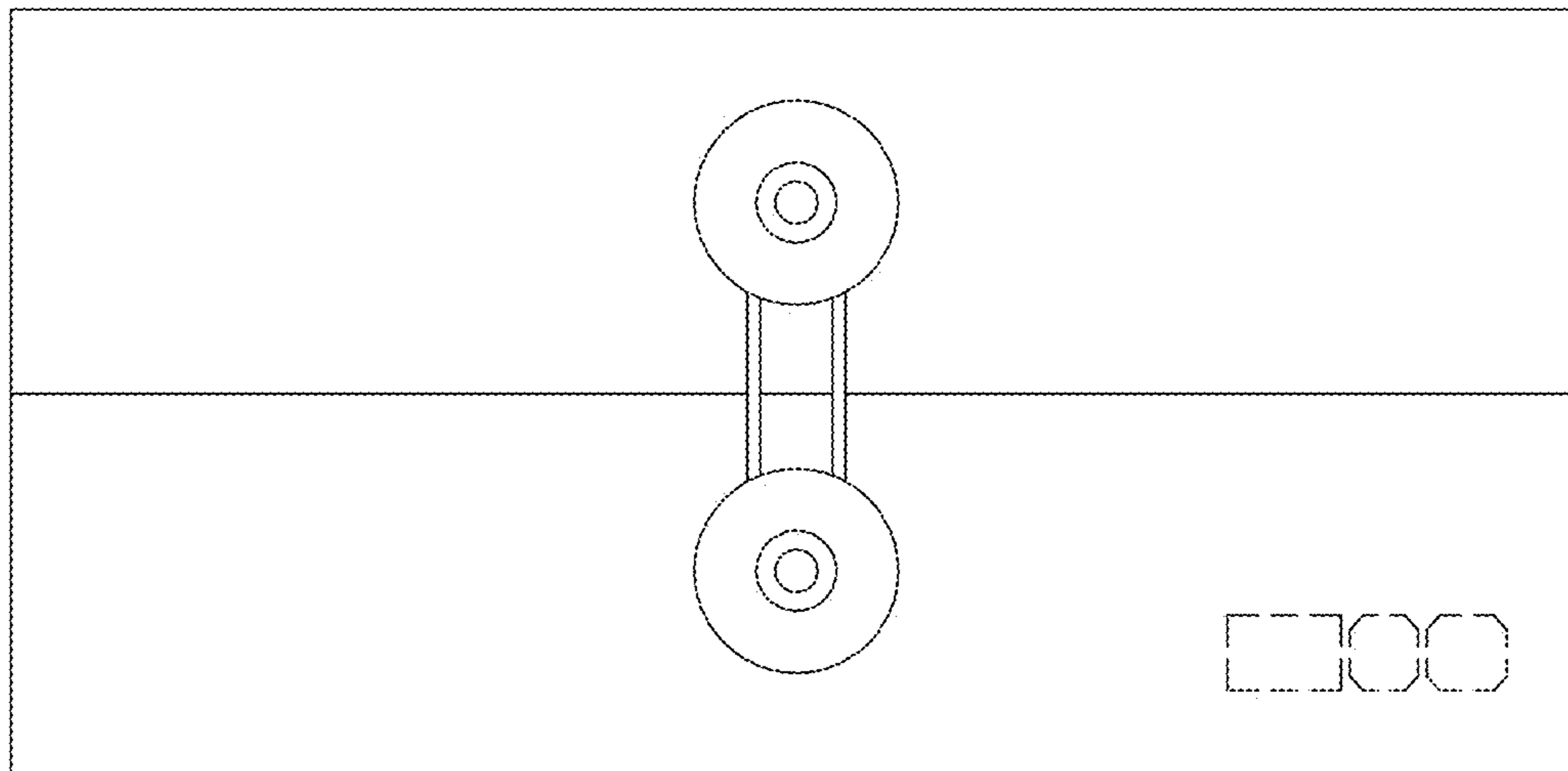


FIG. 3

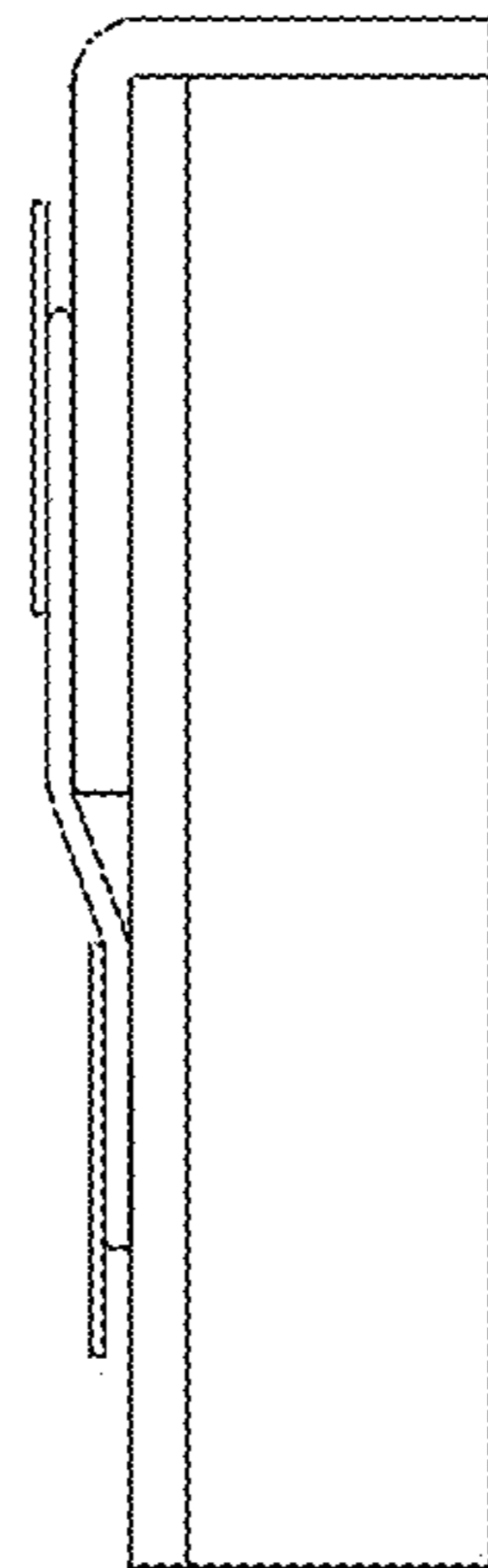


FIG. 4

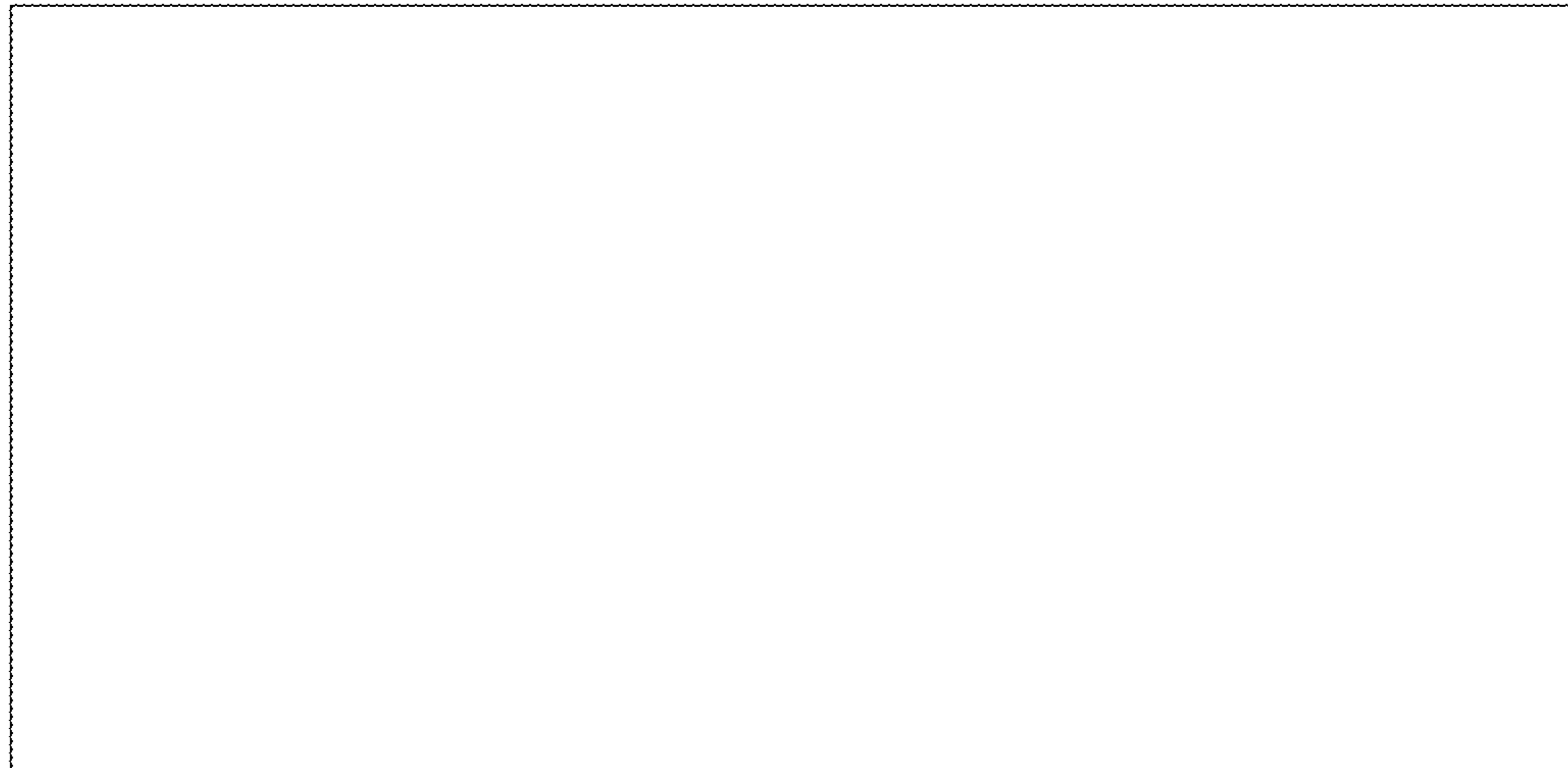


FIG. 5

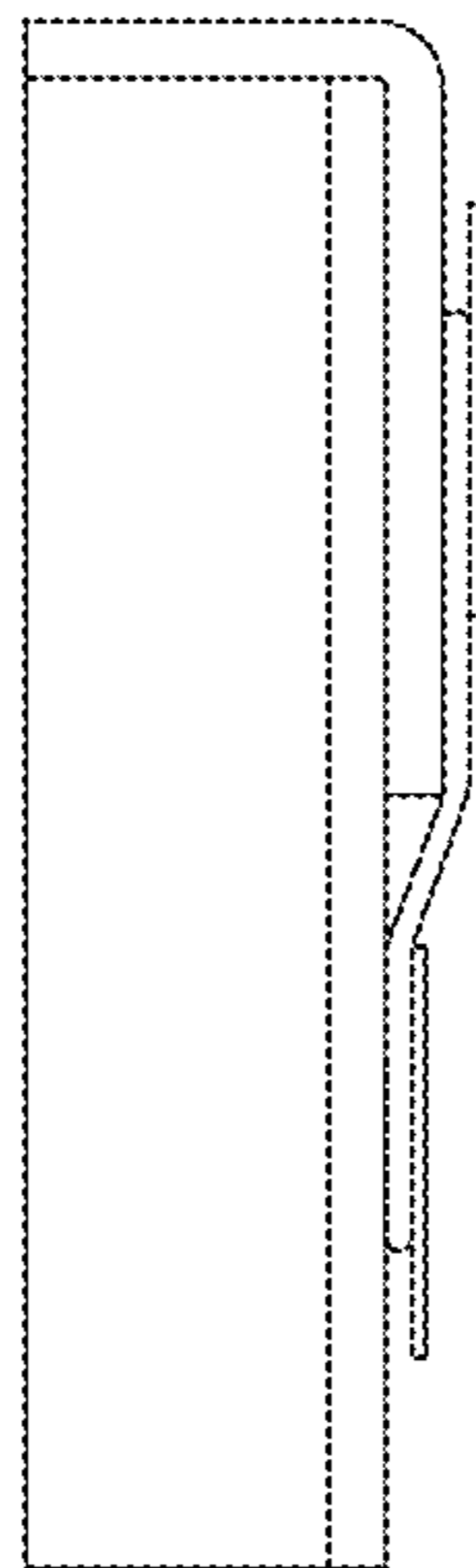


FIG. 6

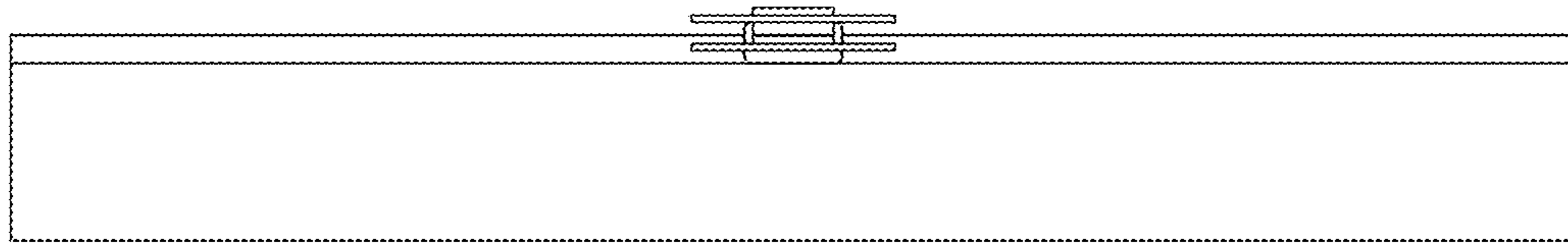


FIG. 7

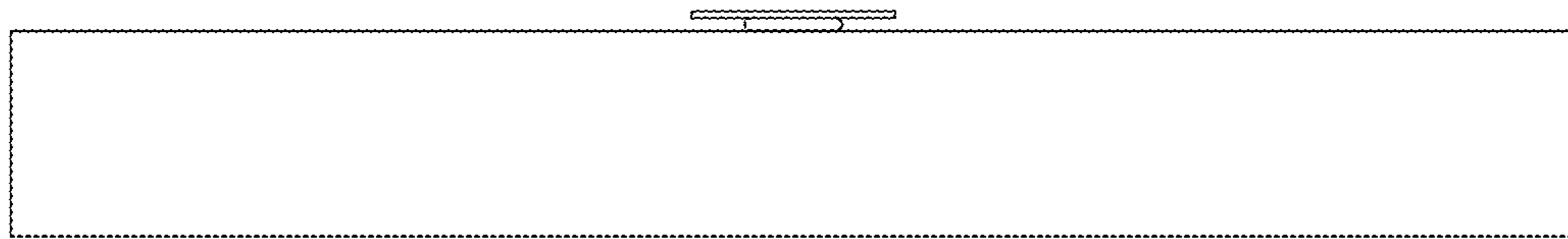


FIG. 8

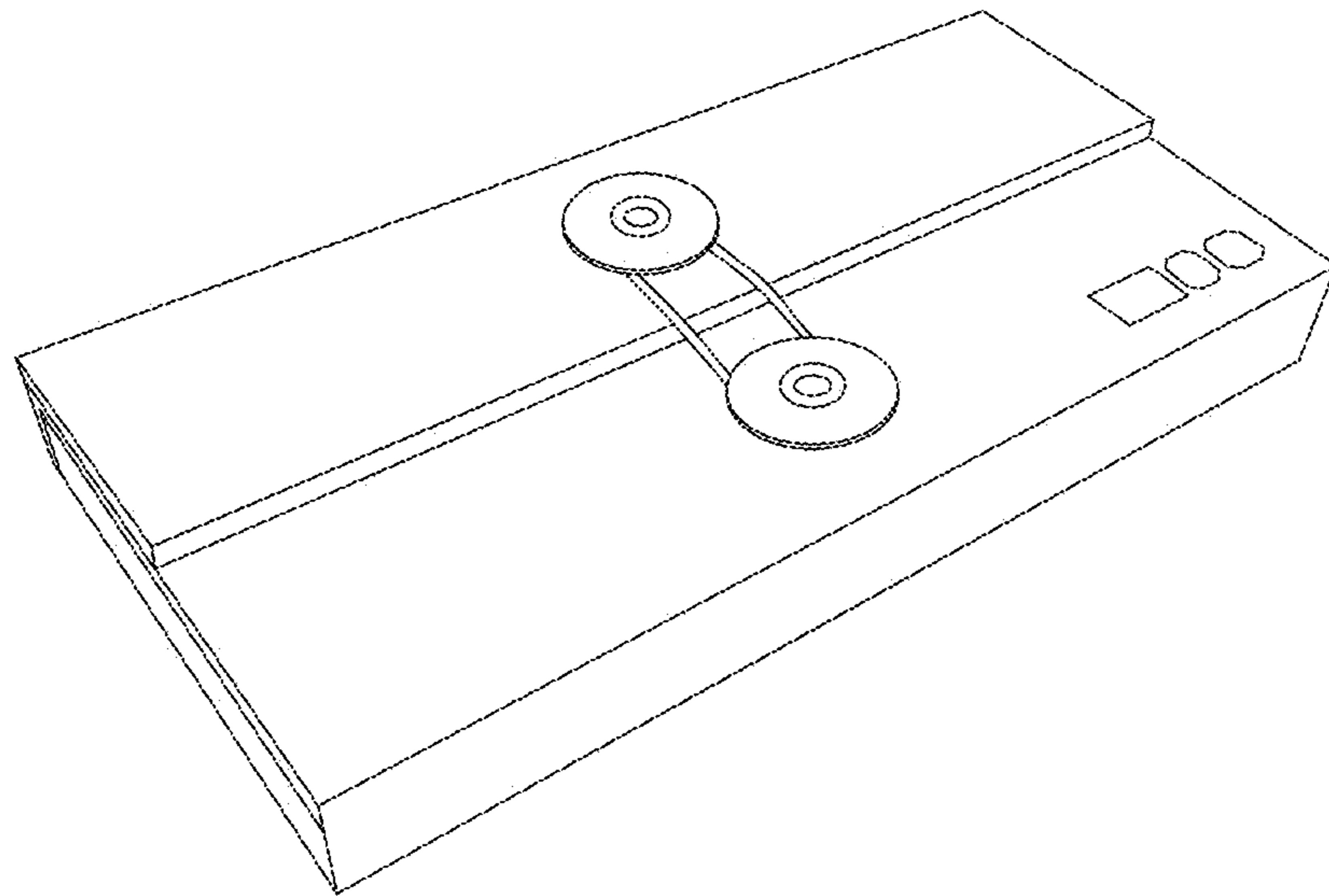


FIG. 9

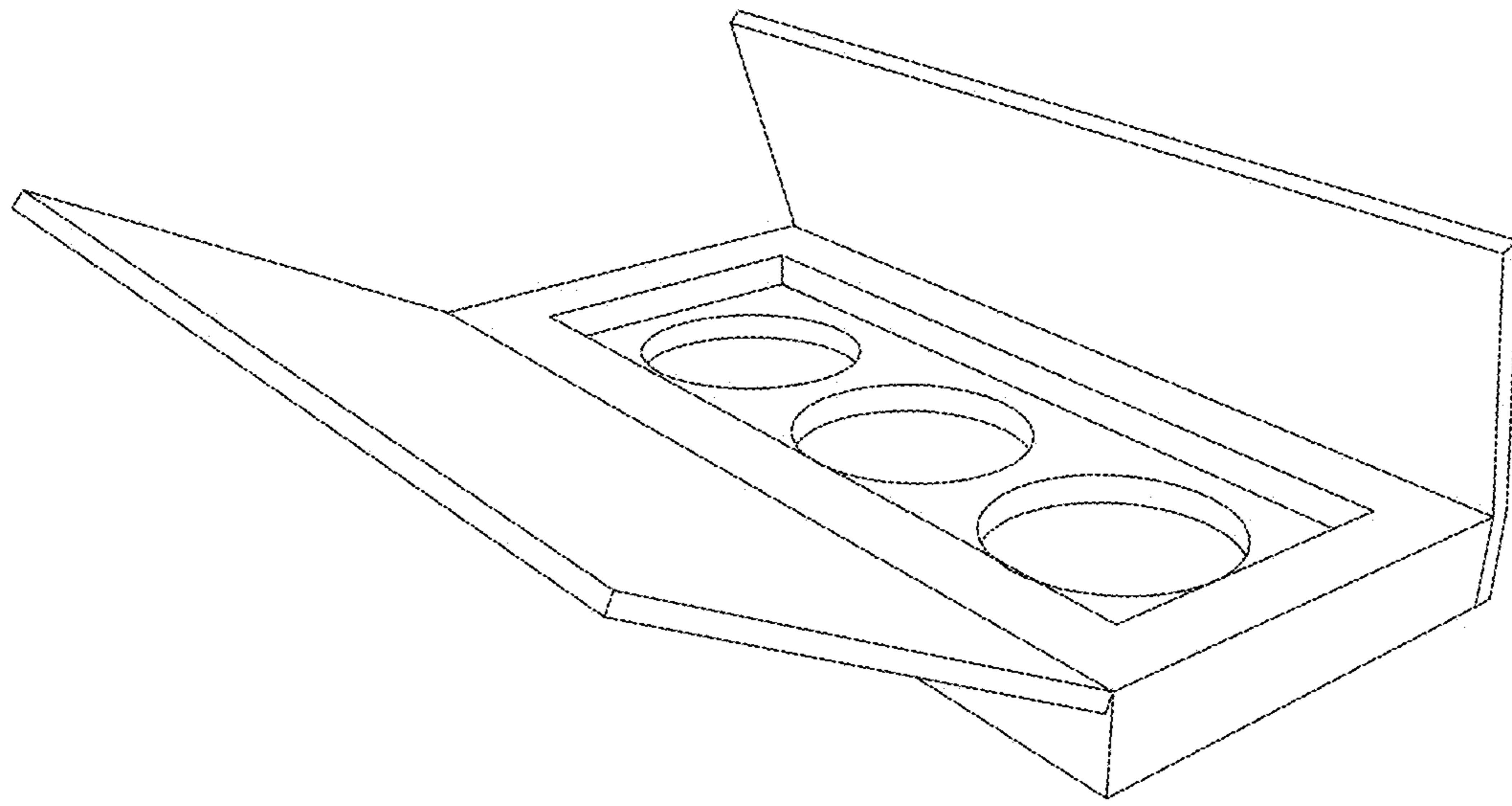


FIG. 10

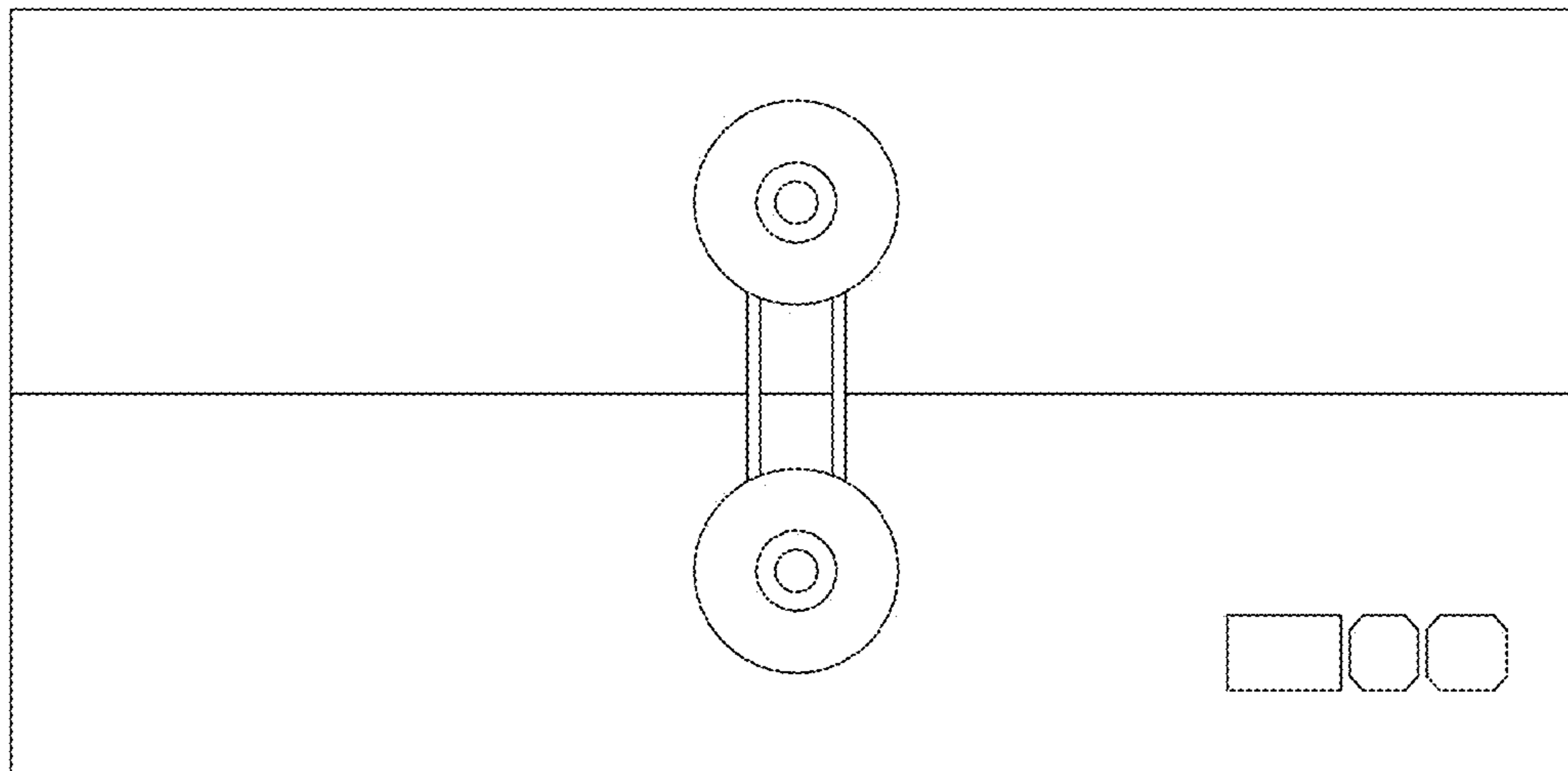


FIG. 11

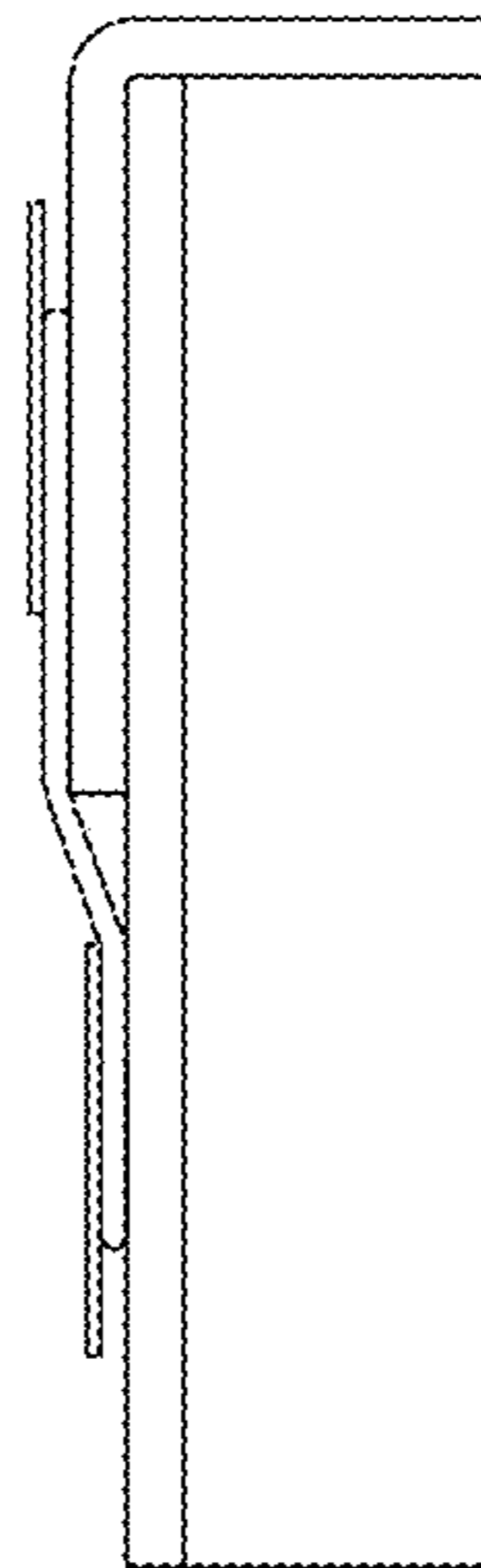


FIG. 12

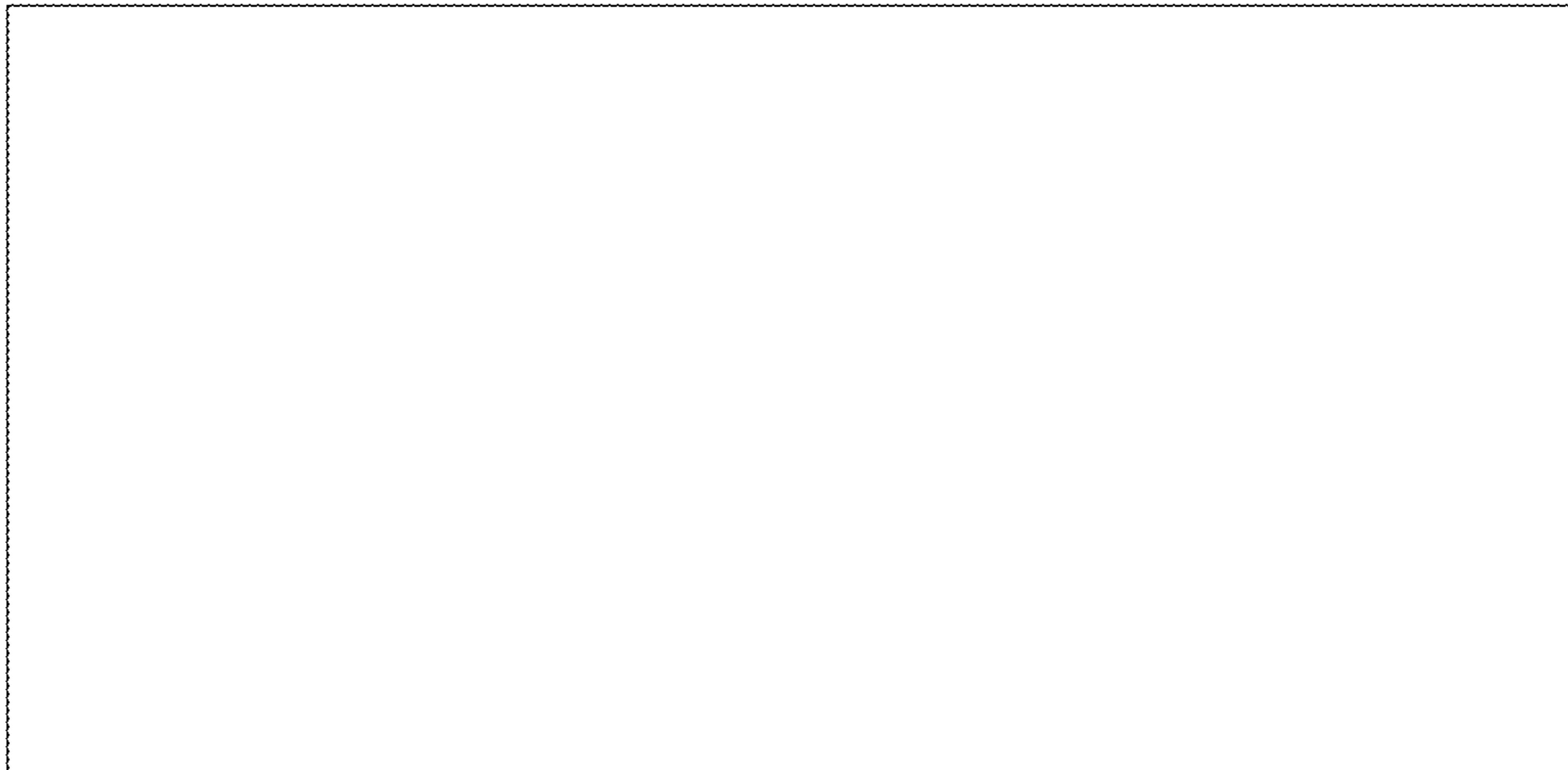


FIG. 13

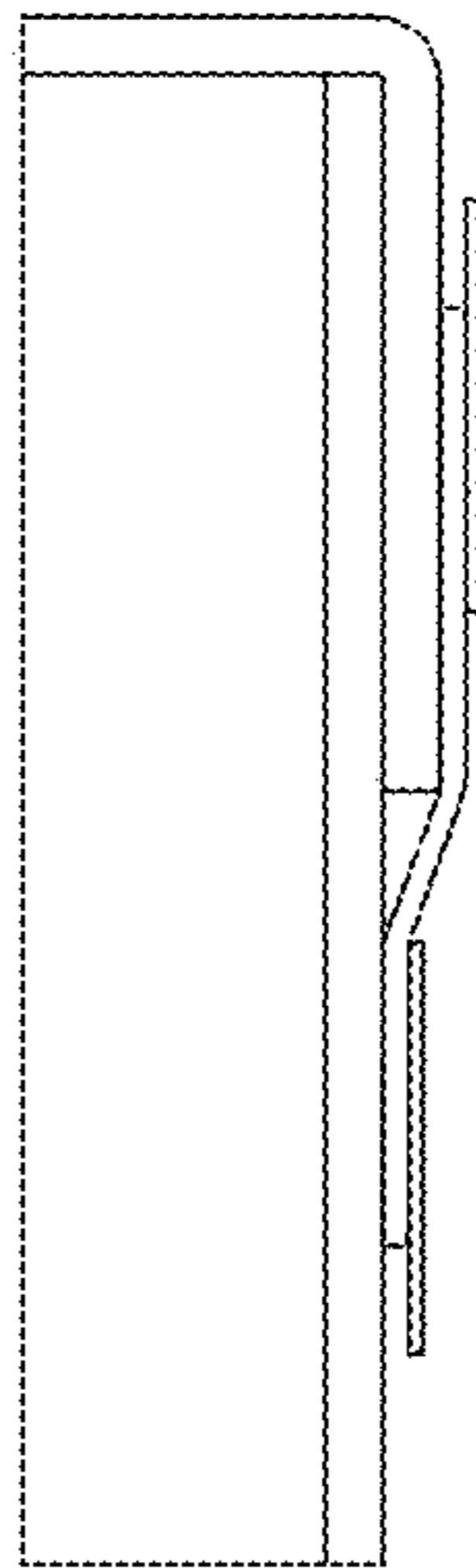


FIG. 14

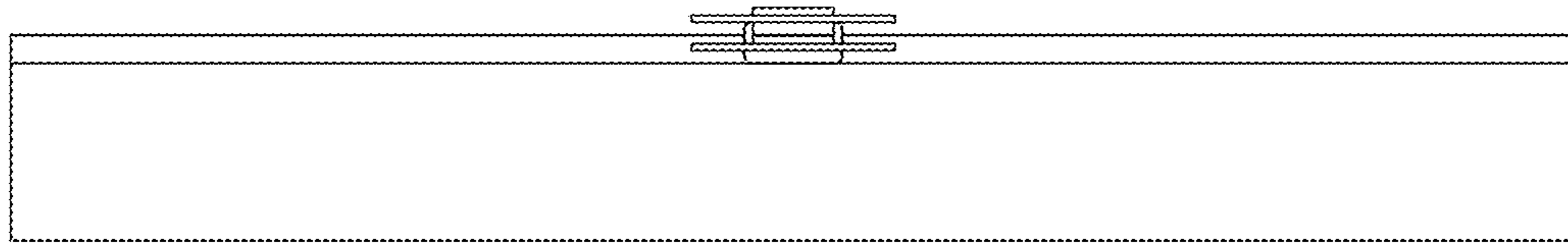


FIG. 15

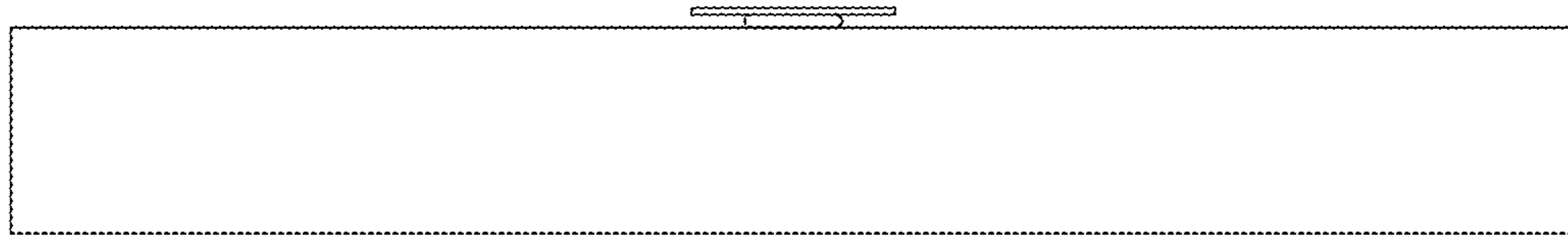


FIG. 16