



US00D918475S

(12) **United States Design Patent** (10) **Patent No.:** **US D918,475 S**
Hu (45) **Date of Patent:** **** May 4, 2021**

(54) **STORAGE TRAY**
(71) Applicant: **Hangzhou Shiyun Cosmetics Co., Ltd,**
Hangzhou (CN)
(72) Inventor: **Xiaofang Hu,** Hangzhou (CN)
(73) Assignee: **Hangzhou Shiyun Cosmetics Co., Ltd,**
Hangzhou (CN)
(**) Term: **15 Years**
(21) Appl. No.: **29/746,114**
(22) Filed: **Aug. 12, 2020**

(30) **Foreign Application Priority Data**
Jul. 10, 2020 (CN) 202030372846.4
Jul. 10, 2020 (CN) 202030373570.1
(51) **LOC (13) Cl.** **28-03**
(52) **U.S. Cl.**
USPC **D28/73; D28/93**
(58) **Field of Classification Search**
USPC D9/756, 758, 760, 759, 737; D28/73, 93
CPC A45D 42/00; A45D 42/04; A45D 44/00;
A41G 5/02; B65D 25/10; A45C 13/02
See application file for complete search history.

(56) **References Cited**
U.S. PATENT DOCUMENTS
2,835,259 A * 5/1958 Goodman A41G 5/02
132/53
7,222,629 B1 * 5/2007 Han A41G 5/02
132/216
D640,834 S * 6/2011 Chen D28/83
D669,223 S * 10/2012 Lee D28/73
D787,309 S 5/2017 Hiep
D787,310 S 5/2017 Hiep
D825,926 S 8/2018 Lauber
D829,381 S * 9/2018 Kim D28/93
D834,934 S 12/2018 Hiep

D836,943 S * 1/2019 Klieman D6/536
10,264,837 B2 * 4/2019 Park A45C 11/24
D877,416 S * 3/2020 Lotti D28/73
D882,179 S * 4/2020 Huang D28/82
D883,801 S 5/2020 Fathi et al.
D907,296 S * 1/2021 Nguyen D28/83
2015/0216246 A1 * 8/2015 Ahn A41G 5/02
132/53
2018/0065779 A1 * 3/2018 Chiba B65D 43/22
2018/0160755 A1 * 6/2018 Hansen A45D 44/00
2018/0352886 A1 * 12/2018 Schroeder A45D 26/0066
2019/0133227 A1 * 5/2019 Le A41G 5/02
2020/0093211 A1 * 3/2020 Lee A41G 5/02
2020/0128896 A1 * 4/2020 Bougie A41G 5/02
(Continued)

FOREIGN PATENT DOCUMENTS

EP 2696713 B1 * 12/2014 A41G 5/02

OTHER PUBLICATIONS

Updated 3d 6d Eyelashes, www.amazon.com, 1 page, downloaded
Jan. 28, 2021, reviewed as early as Jul. 2020 (Year: 2020).*
(Continued)

Primary Examiner — Jennifer Rivard

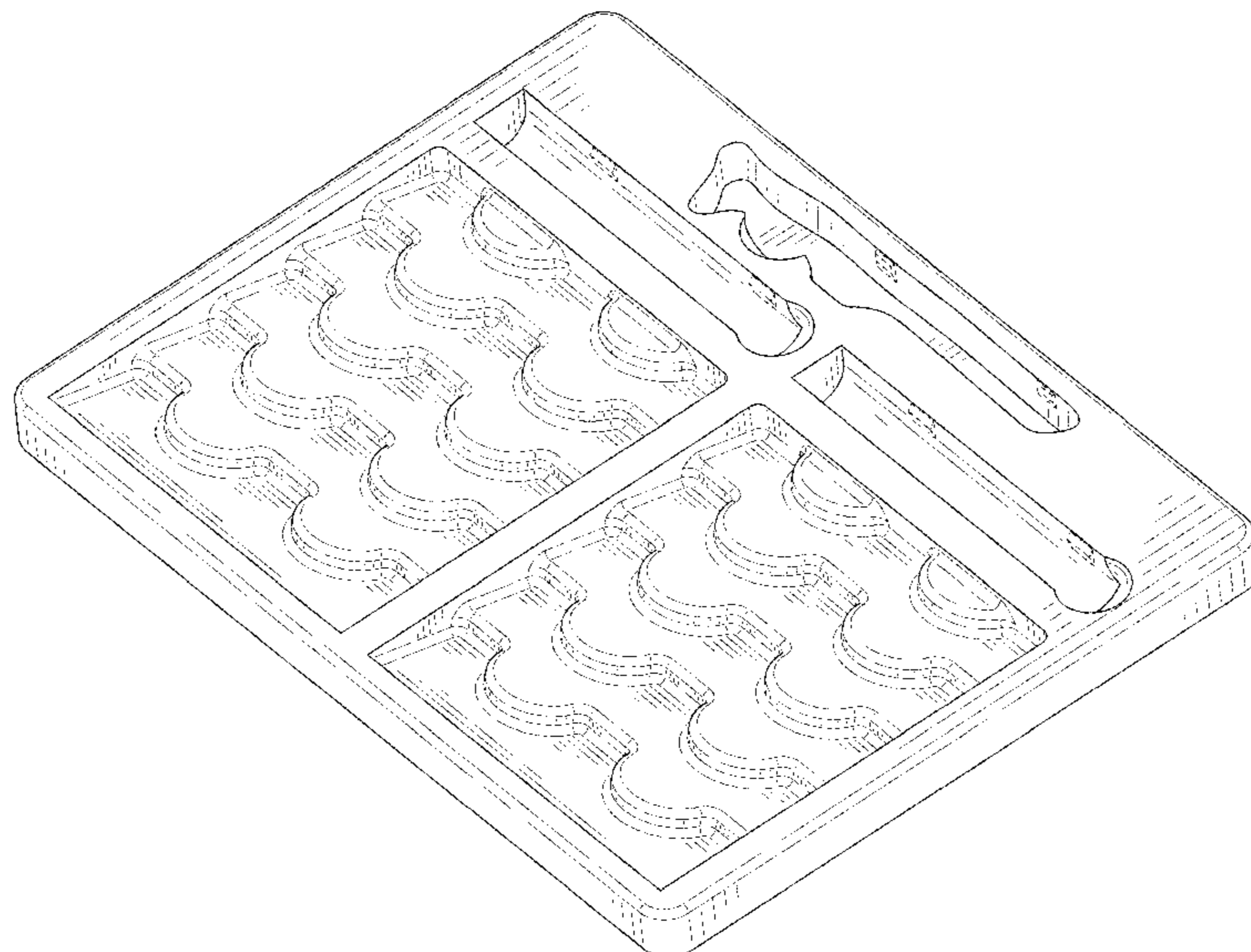
(57) **CLAIM**

The ornamental design for a storage tray, as shown and
described.

DESCRIPTION

FIG. 1 is a perspective view of a storage tray in accordance
with an embodiment showing my new design;
FIG. 2 is a front elevational view thereof;
FIG. 3 is a rear elevational view thereof;
FIG. 4 is a left side elevational view thereof; and,
FIG. 5 is a top plan view thereof.
The broken lines in the drawings depict portions of the
storage tray that form no part of the claimed design.

1 Claim, 5 Drawing Sheets



(56)

References Cited

U.S. PATENT DOCUMENTS

2020/0172323 A1* 6/2020 Story B65D 85/70
2020/0237079 A1* 7/2020 Lotti A45D 44/00
2020/0288834 A1* 9/2020 Haywood A45C 11/008
2020/0359759 A1* 11/2020 Ruiz A45C 11/008

OTHER PUBLICATIONS

Neitra Non Magnetic with Eyeliner, www.amazon.com, downloaded Jan. 28, 2021, reviewed as early as Nov. 2020 (Year: 2020).*

* cited by examiner

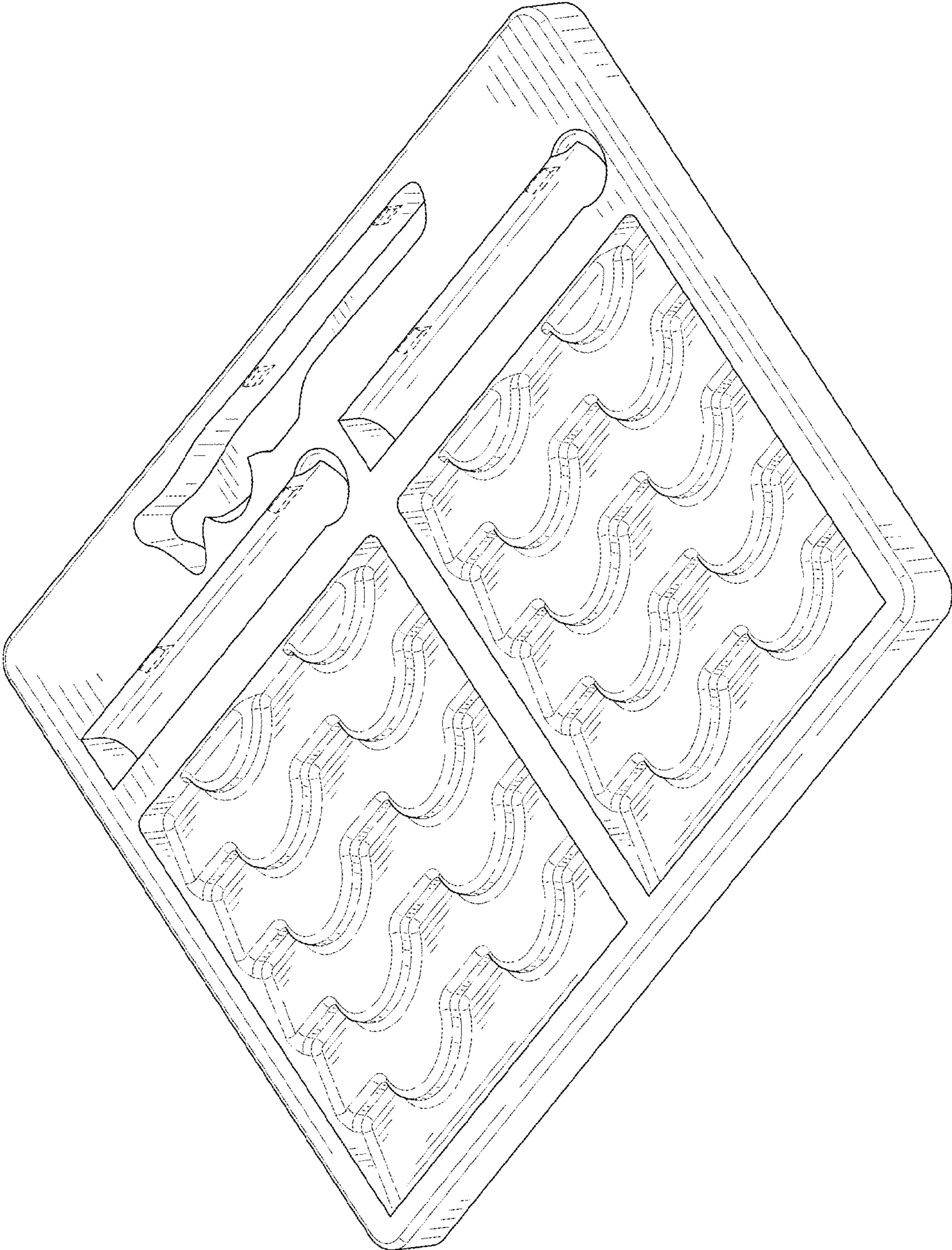


FIG. 1

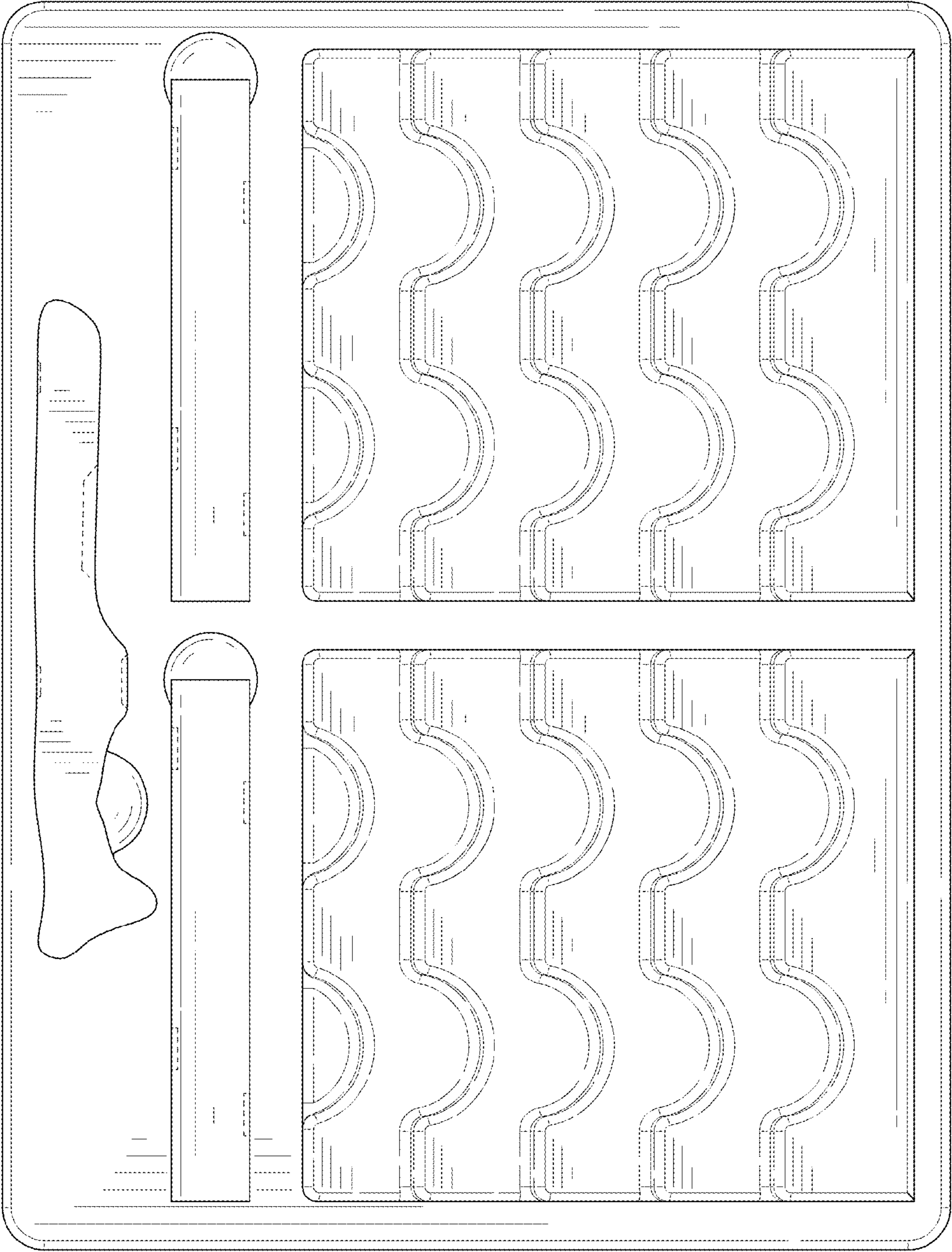


FIG. 2

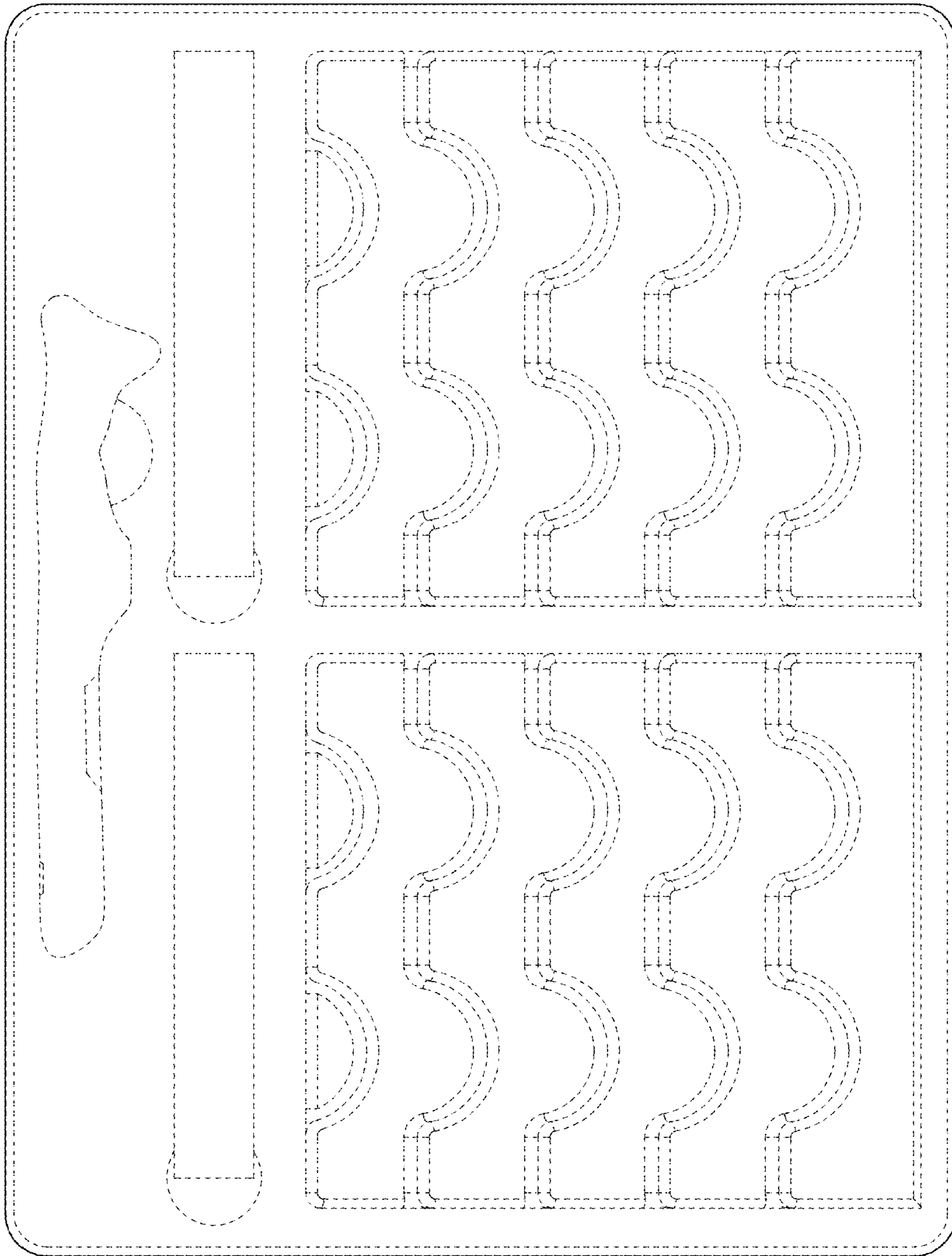


FIG. 3



FIG. 4



FIG. 5