



US00D918474S

(12) **United States Design Patent** (10) **Patent No.:** **US D918,474 S**  
**Lu** (45) **Date of Patent:** **\*\* May 4, 2021**

(54) **ELECTRIC SHAVER**

(71) Applicant: **Jifeng Lu**, Zhejiang (CN)

(72) Inventor: **Jifeng Lu**, Zhejiang (CN)

(\*\*) Term: **15 Years**

(21) Appl. No.: **29/698,560**

(22) Filed: **Jul. 18, 2019**

(51) **LOC (13) Cl.** ..... **28-03**

(52) **U.S. Cl.**  
USPC ..... **D28/50**

(58) **Field of Classification Search**  
USPC ..... D28/50  
CPC ..... B26B 19/3853-3866; B26B 19/14-18  
See application file for complete search history.

(56) **References Cited**

**U.S. PATENT DOCUMENTS**

D351,926 S *	10/1994	Nakashima	.....	D28/49
D500,168 S *	12/2004	Ho	.....	D28/44
D546,001 S *	7/2007	McLachlan	.....	D28/50
D558,924 S *	1/2008	Cafaro	.....	D28/52
D672,504 S *	12/2012	Lyles	.....	D28/50
D693,060 S *	11/2013	Lyles	.....	D28/50
D717,492 S *	11/2014	Kulshreshtha	.....	D28/53
D803,480 S *	11/2017	Wong	.....	D28/53
D808,077 S *	1/2018	Boulanger	.....	D28/50
D841,245 S *	2/2019	Chen	.....	D28/50
D845,545 S *	4/2019	Mishan	.....	D28/54
D853,644 S *	7/2019	Stowers	.....	D28/50
D853,645 S *	7/2019	Stowers	.....	D28/50
D903,195 S *	11/2020	Zhou	.....	D28/50
2008/0072430 A1 *	3/2008	Cafaro	.....	B26B 19/06 30/45

2009/0199412 A1 *	8/2009	Cheng	.....	B26B 19/3866 30/210
2016/0176060 A1 *	6/2016	Kulshreshtha	.....	B26B 19/28 30/277.4
2020/0282580 A1 *	9/2020	McKinnis	.....	B26B 19/3853

**OTHER PUBLICATIONS**

Surker Head Shavers, www.amazon.com, reviewed as early as Sep. 2020, 1 page (Year: 2020).\*

\* cited by examiner

*Primary Examiner* — Jennifer Rivard

(57) **CLAIM**

The ornamental design for an electric shaver, as shown and described.

**DESCRIPTION**

FIG. 1 is a perspective view of an electric shaver showing my new design;

FIG. 2 is a front elevation view thereof;

FIG. 3 is a rear elevation view thereof;

FIG. 4 is a left side elevation view thereof;

FIG. 5 is a right side elevation view thereof;

FIG. 6 is a top plan view thereof;

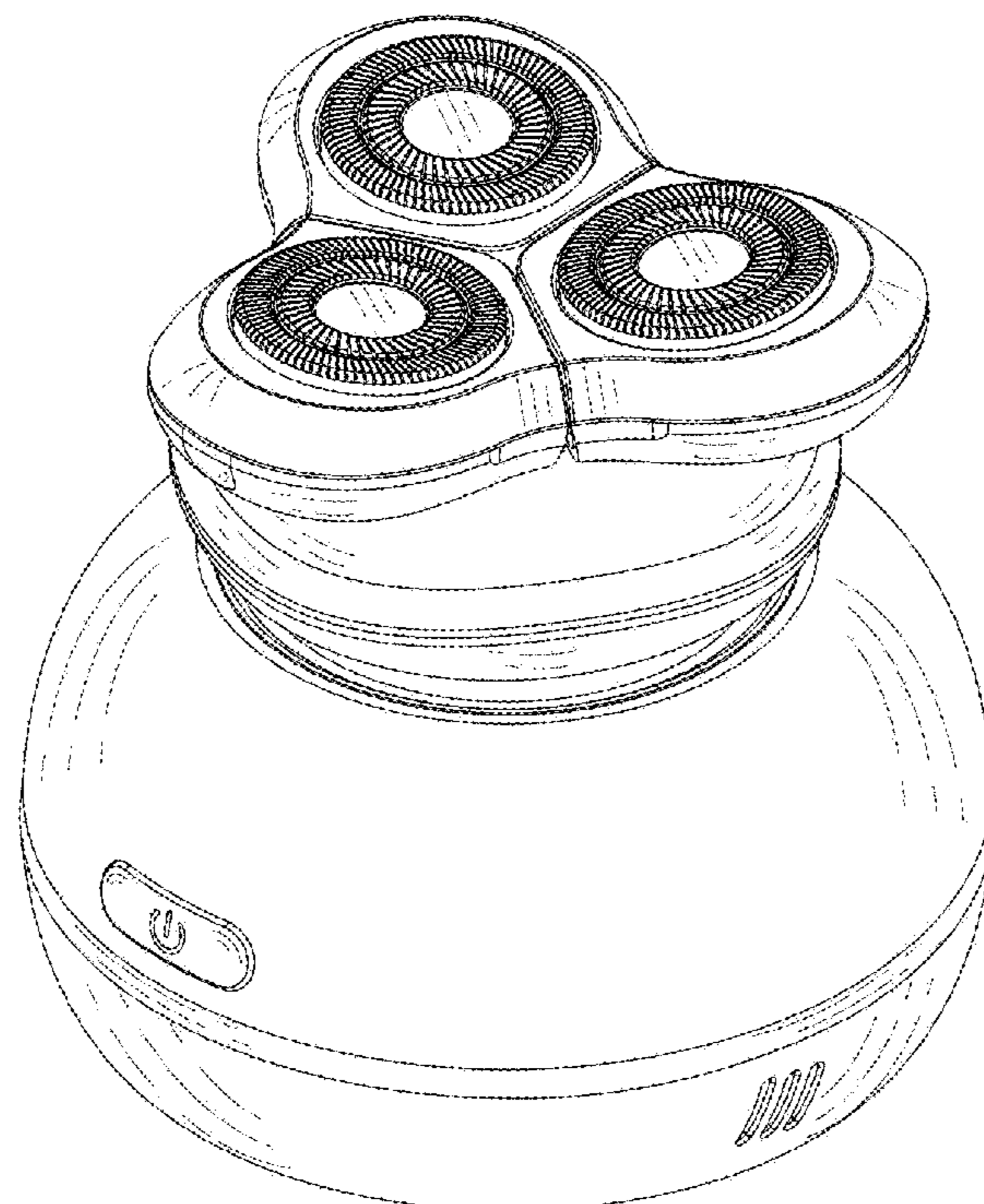
FIG. 7 is a bottom plan view thereof;

FIG. 8 is an exploded view thereof; and,

FIG. 9 is an enlarged view of the electric shaver taken from the circled portion in FIG. 6.

The broken lines in the drawings illustrate the environment of the electric shaver which forms no part of the claimed design.

**1 Claim, 9 Drawing Sheets**



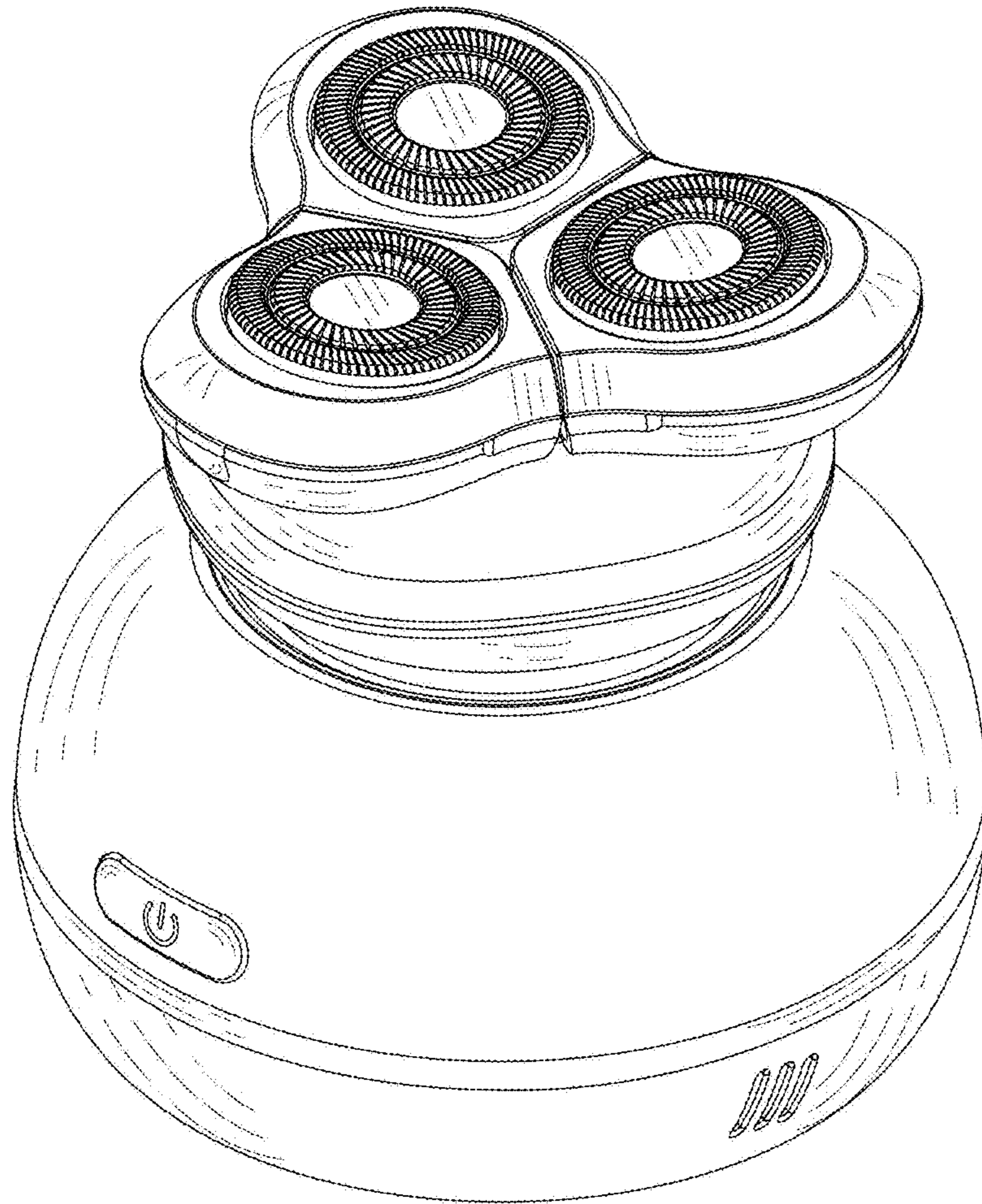


FIG.1

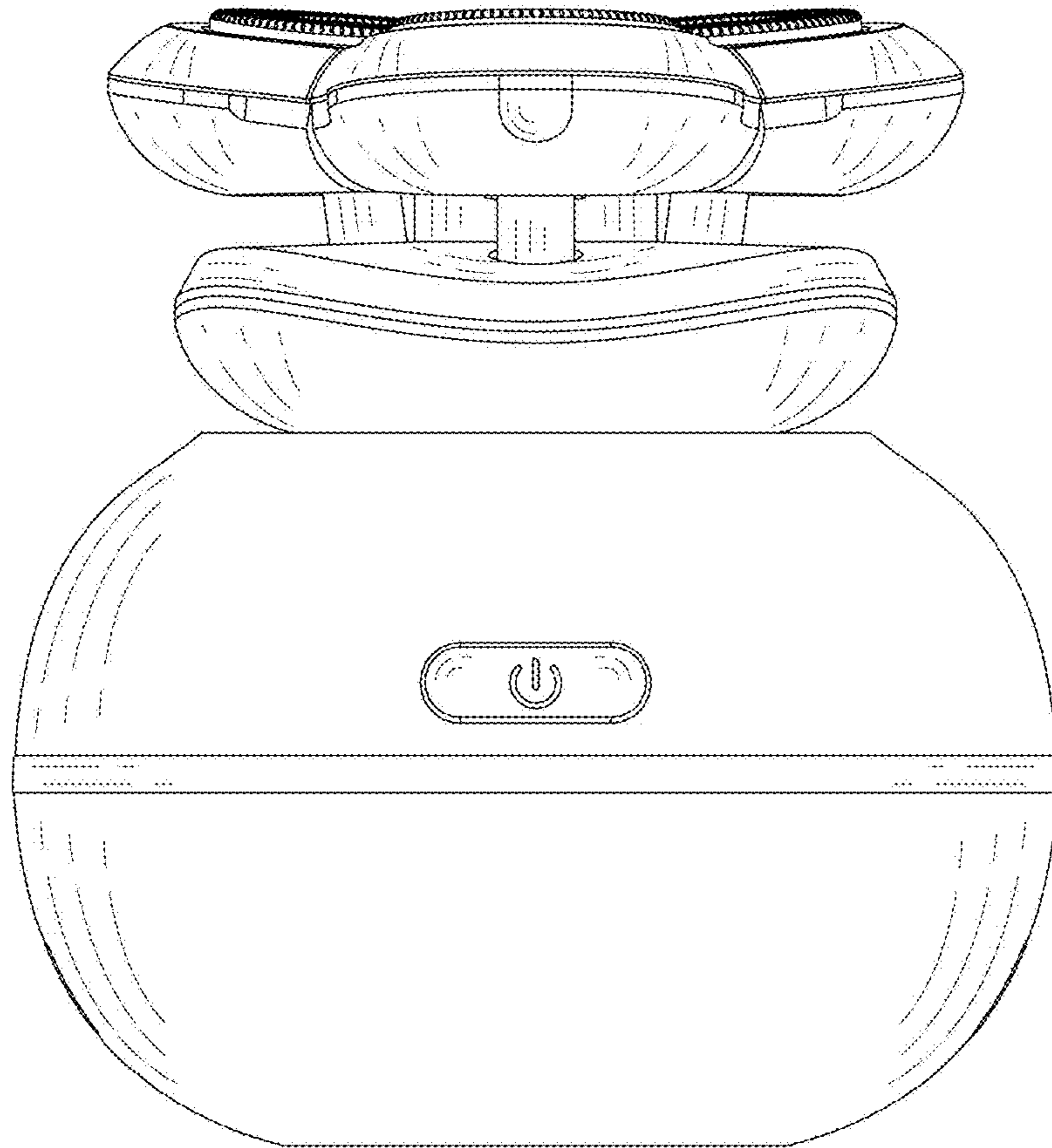


FIG.2

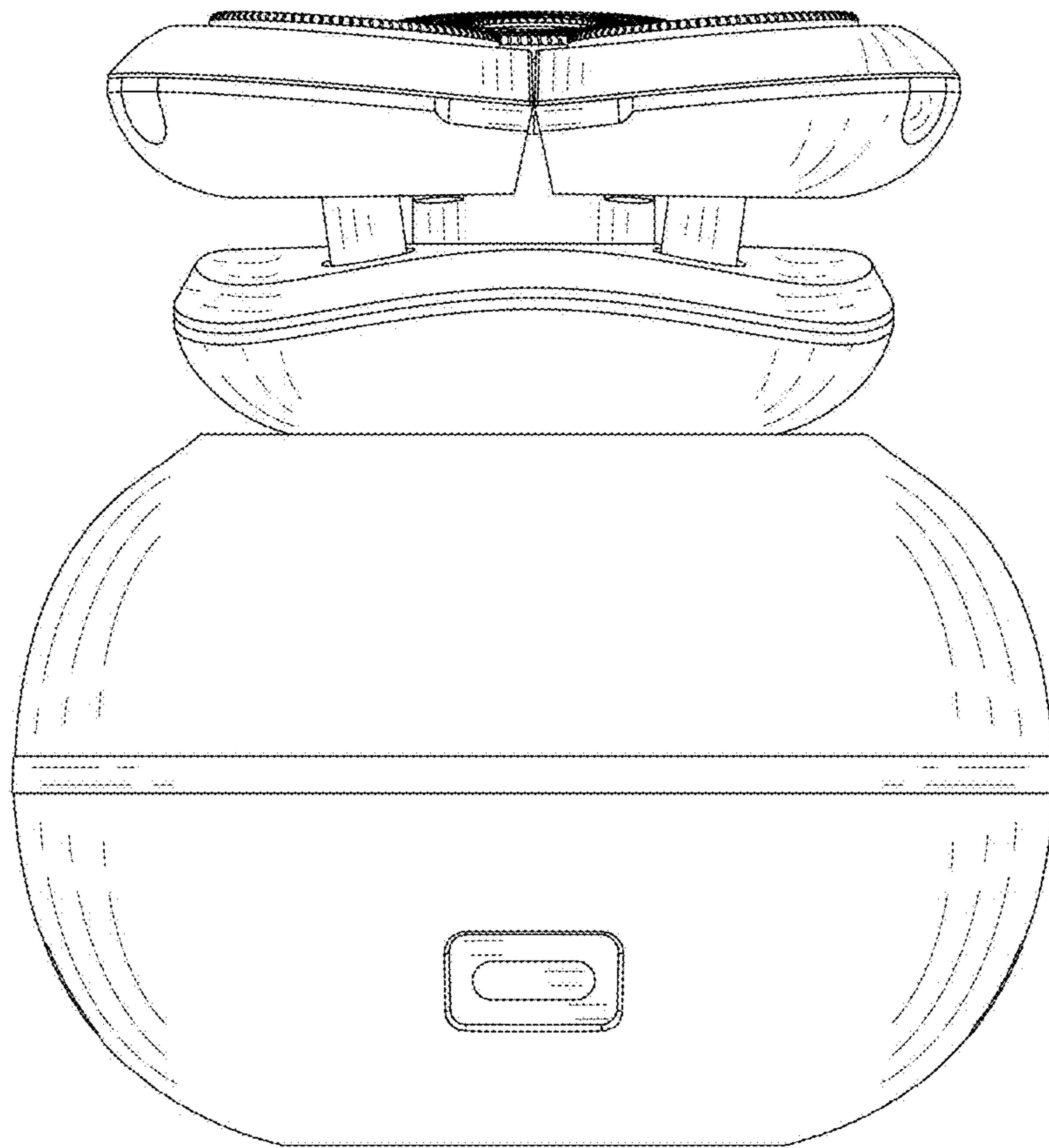


FIG.3

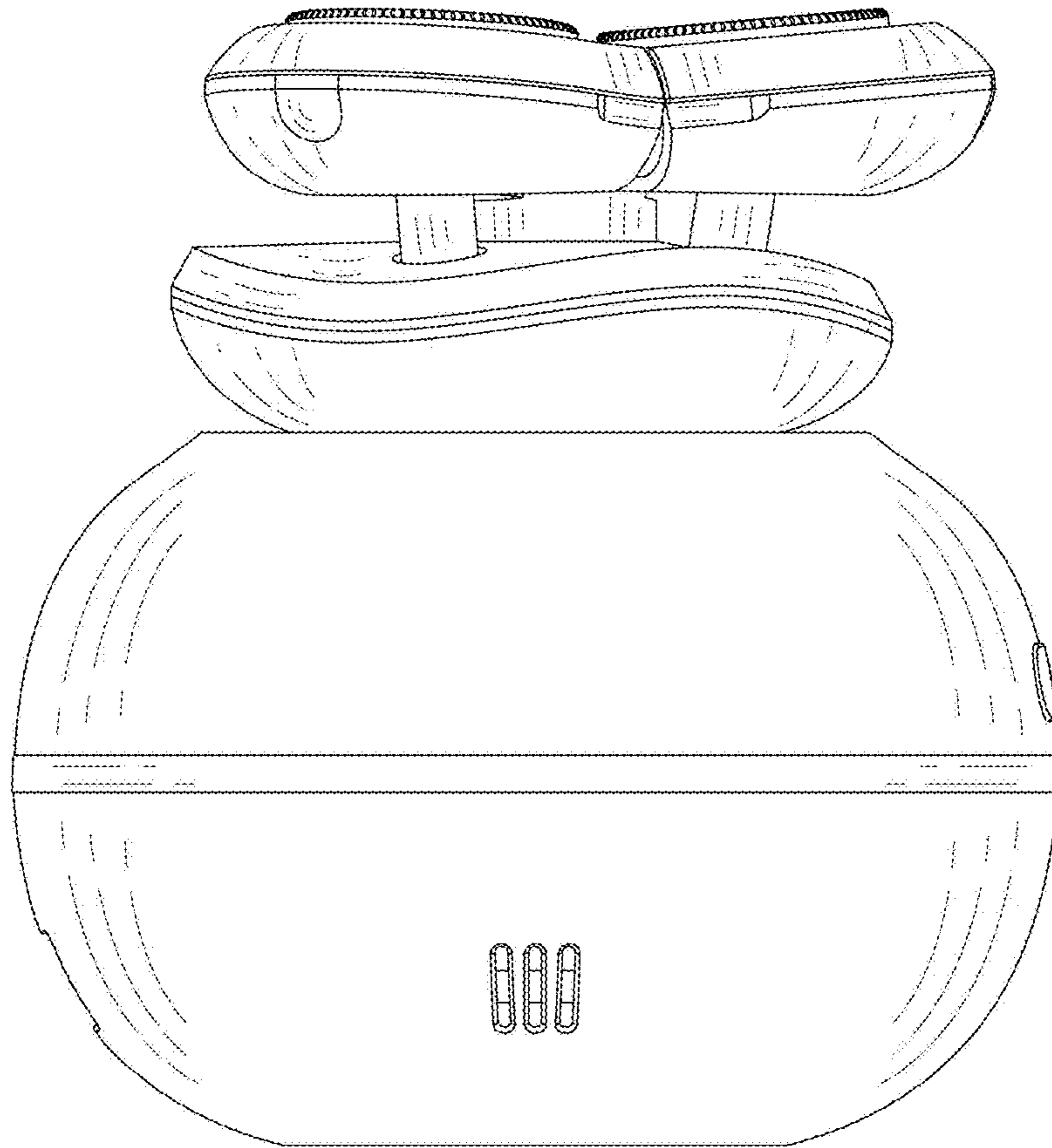


FIG.4

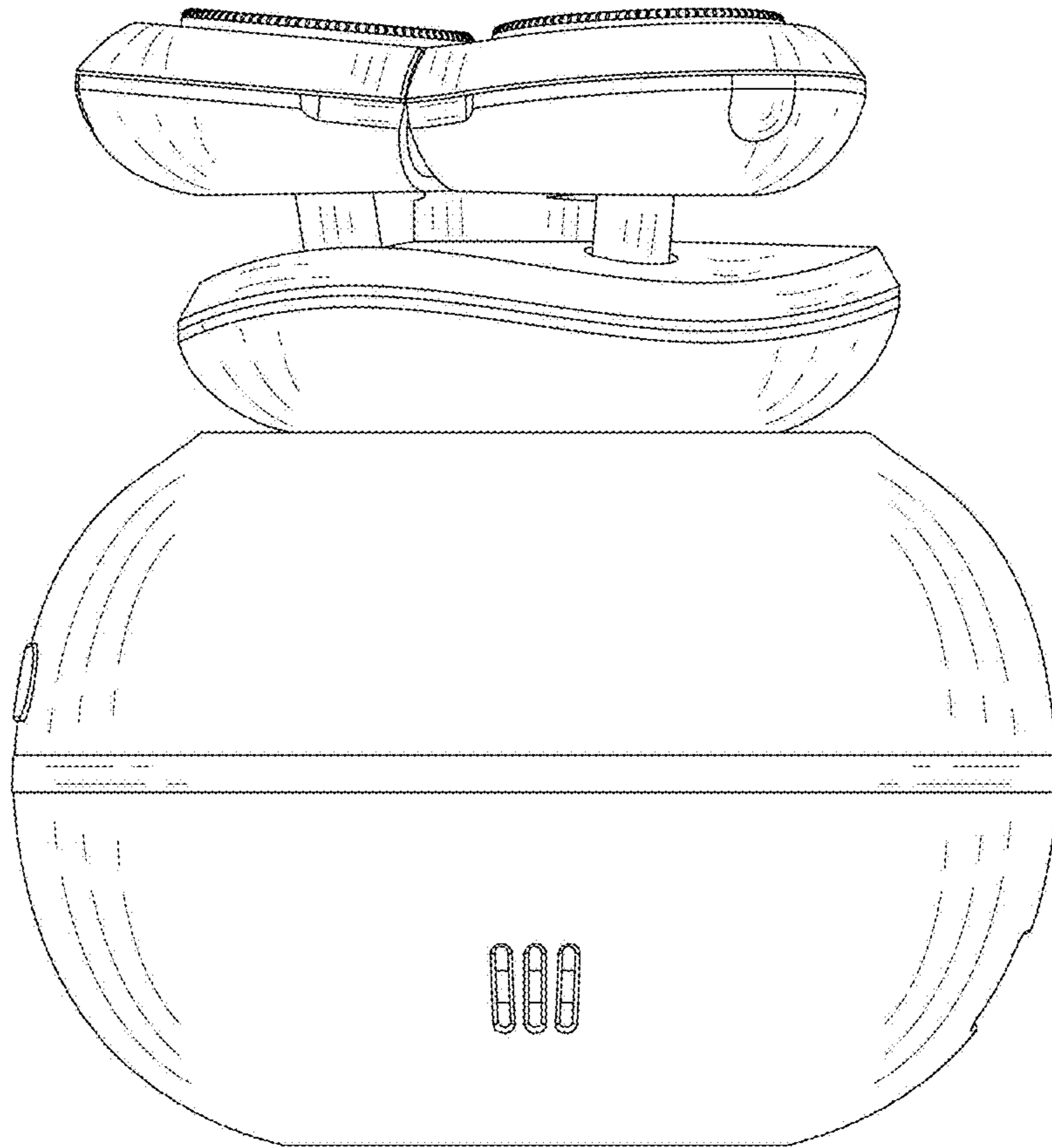


FIG. 5

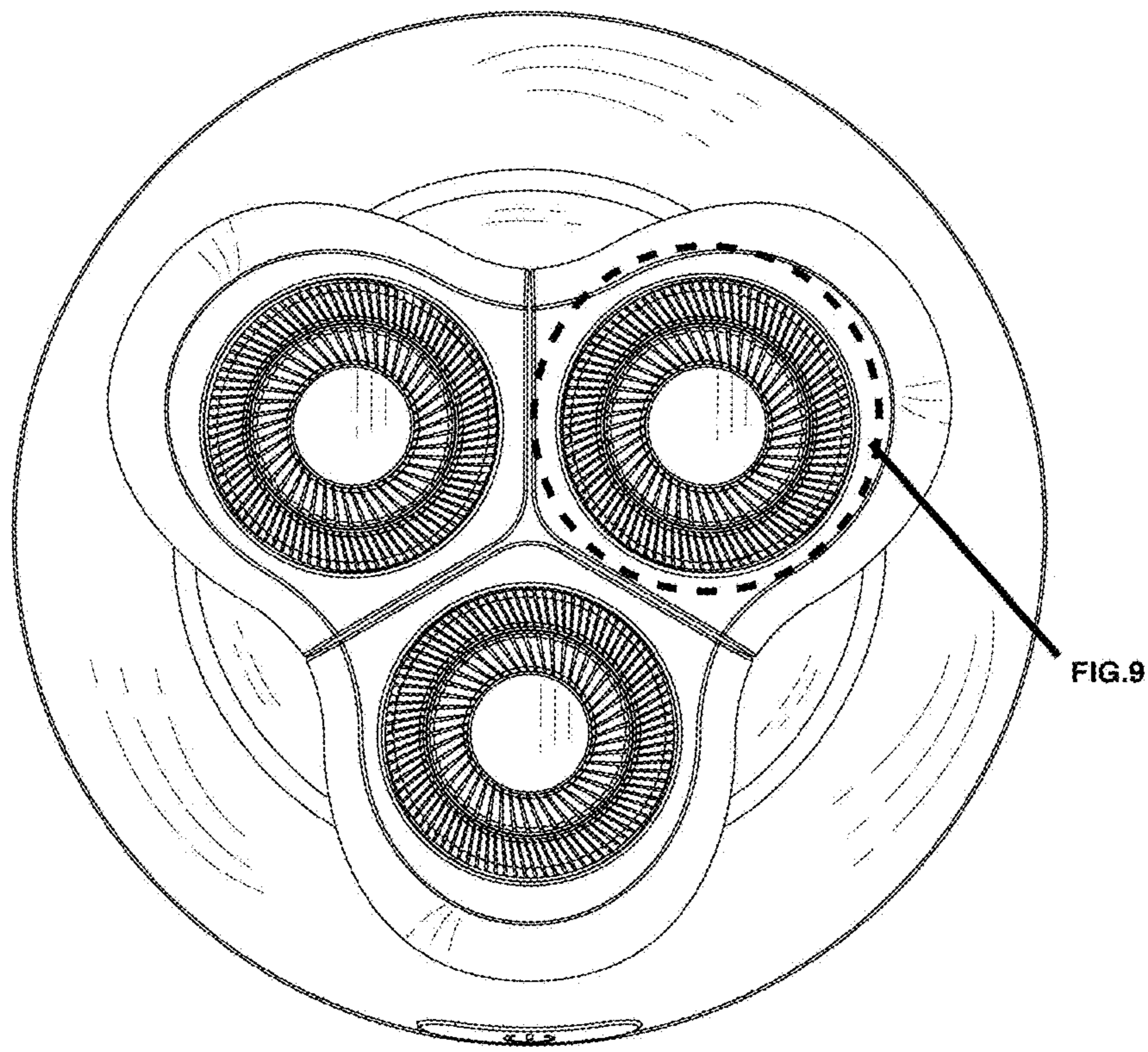


FIG. 6

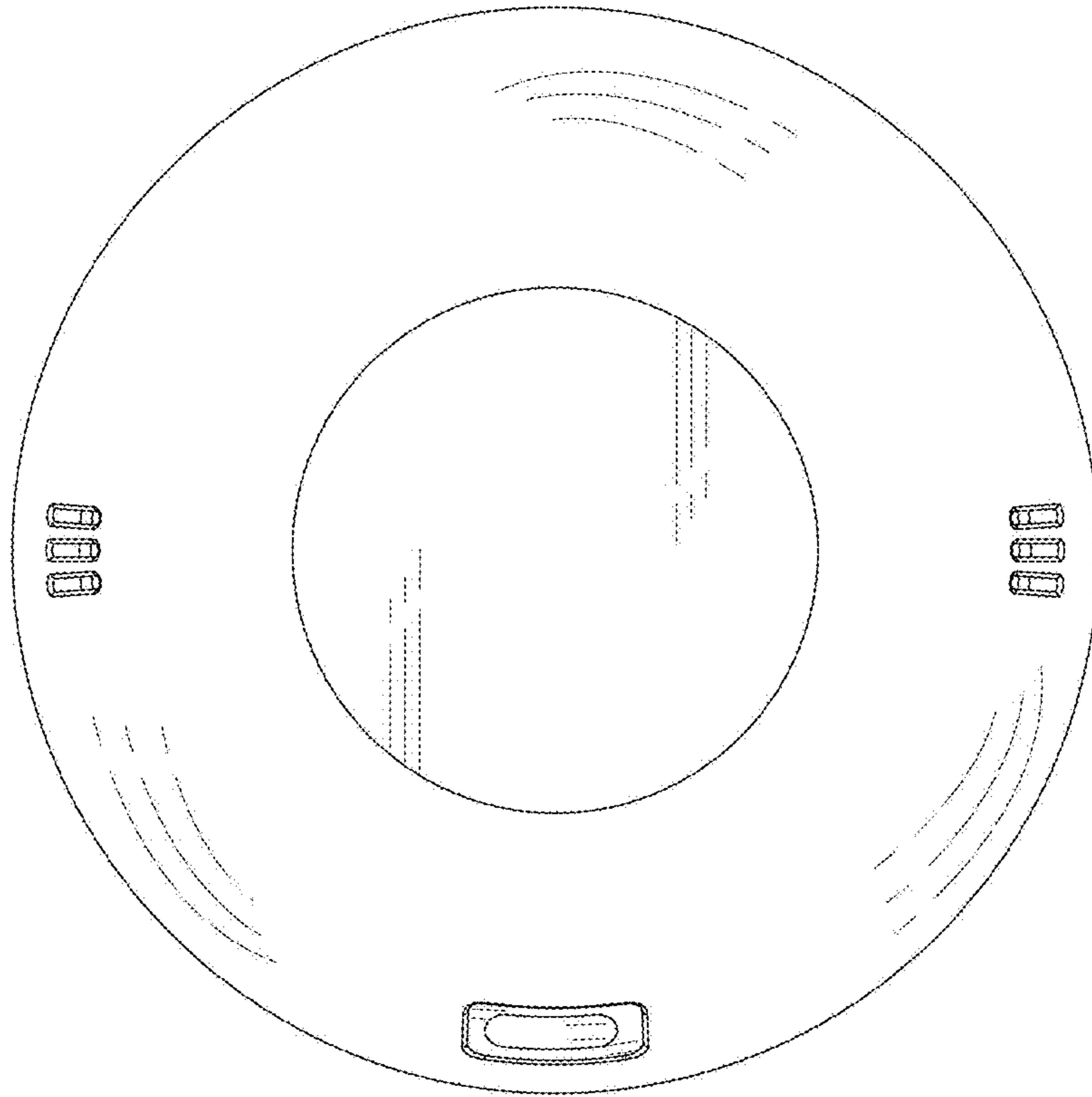


FIG. 7



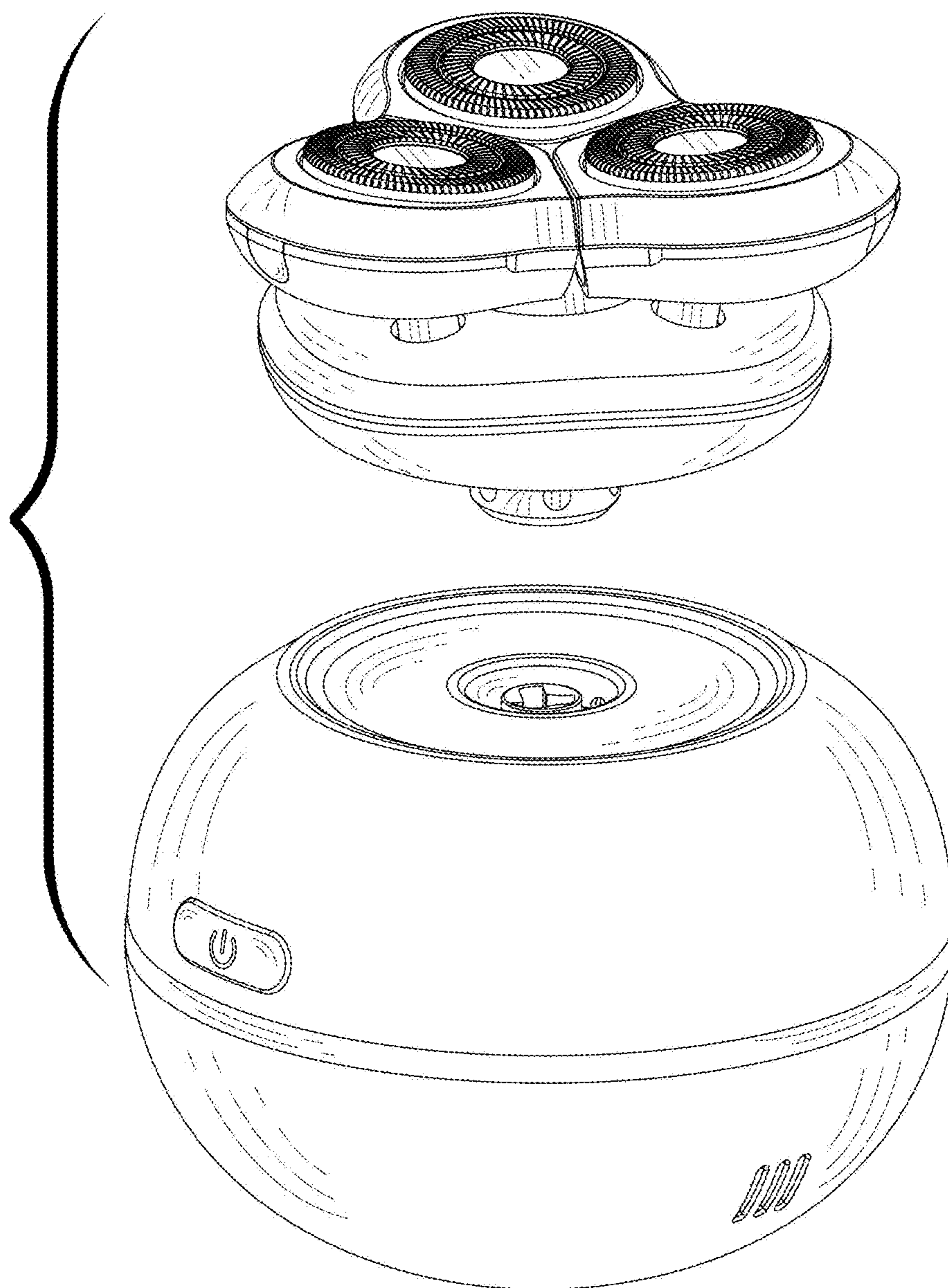


FIG. 8

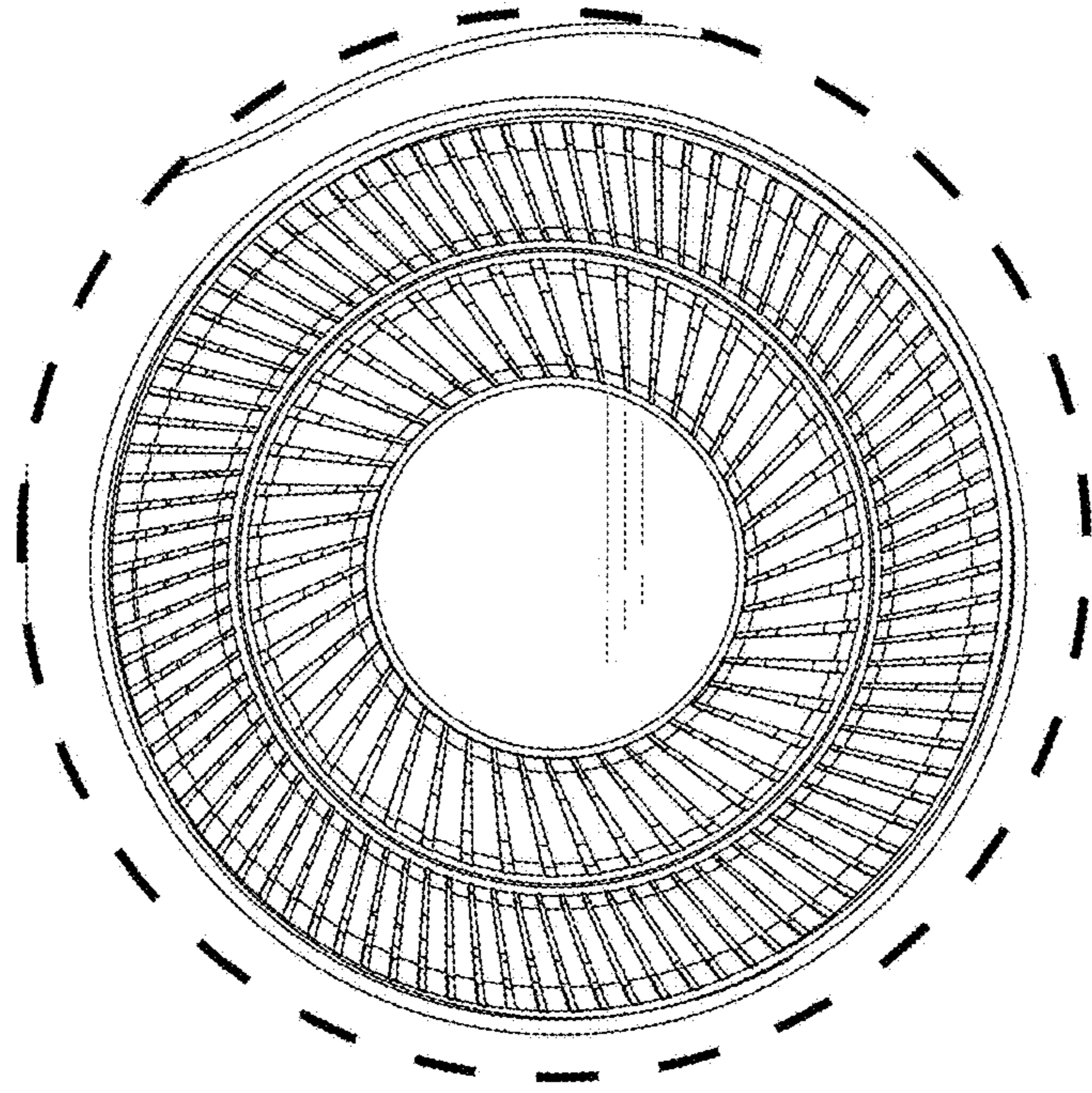


FIG. 9