



US00D918473S

(12) **United States Design Patent**  
**Xiao**

(10) **Patent No.:** **US D918,473 S**

(45) **Date of Patent:** **\*\* May 4, 2021**

(54) **HAIR CLIP**

(71) Applicant: **Zikang Xiao**, Guangdong (CN)

(72) Inventor: **Zikang Xiao**, Guangdong (CN)

(\*\*) Term: **15 Years**

(21) Appl. No.: **29/748,662**

(22) Filed: **Aug. 31, 2020**

(51) **LOC (13) Cl.** ..... **28-03**

(52) **U.S. Cl.**  
USPC ..... **D28/40**

(58) **Field of Classification Search**  
USPC ..... D28/39, 40, 42, 43  
CPC . A45D 8/00; A45D 8/002; A45D 8/14; A45D  
8/16; A45D 8/18; A45D 8/20; A45D  
8/22; A45D 8/24; A45D 8/30  
See application file for complete search history.

(56) **References Cited**

**U.S. PATENT DOCUMENTS**

5,873,377	A *	2/1999	Yang	.....	A45D 8/20 132/277
6,035,863	A *	3/2000	Mao	.....	A45D 8/20 132/273
9,232,841	B1 *	1/2016	Hsu	.....	A45D 8/20
D794,870	S	8/2017	Hsu		
D869,766	S	12/2019	Gu		
2006/0225763	A1 *	10/2006	Lau	.....	A45D 8/20 132/277
2007/0131237	A1 *	6/2007	Tu	.....	A45D 8/20 132/277
2008/0149128	A1 *	6/2008	Yang	.....	A45D 8/20 132/275

2008/0149129	A1 *	6/2008	Yang	.....	A45D 8/20 132/277
2009/0223533	A1 *	9/2009	Daley	.....	A45D 2/42 132/211
2009/0255552	A1 *	10/2009	Hsu	.....	A45D 8/20 132/277
2009/0272397	A1 *	11/2009	Defenbaugh	.....	A45D 8/20 132/277
2009/0272398	A1 *	11/2009	Chudzik	.....	A45D 8/20 132/277
2009/0277469	A1 *	11/2009	Hsu	.....	A45D 8/20 132/277
2011/0297178	A1 *	12/2011	Hsu	.....	A45D 8/20 132/277
2017/0181518	A1 *	6/2017	Hsu	.....	B29C 45/0055

\* cited by examiner

*Primary Examiner* — Zenia I Bennett

(74) *Attorney, Agent, or Firm* — ScienBiziP, P.C.

(57) **CLAIM**

The ornamental design for a hair clip, as shown and described.

**DESCRIPTION**

FIG. 1 is a front perspective view of a hair clip, showing my design.

FIG. 2 is a rear perspective view thereof.

FIG. 3 is a front elevation view thereof.

FIG. 4 is a rear elevation view thereof.

FIG. 5 is a left side elevation view thereof.

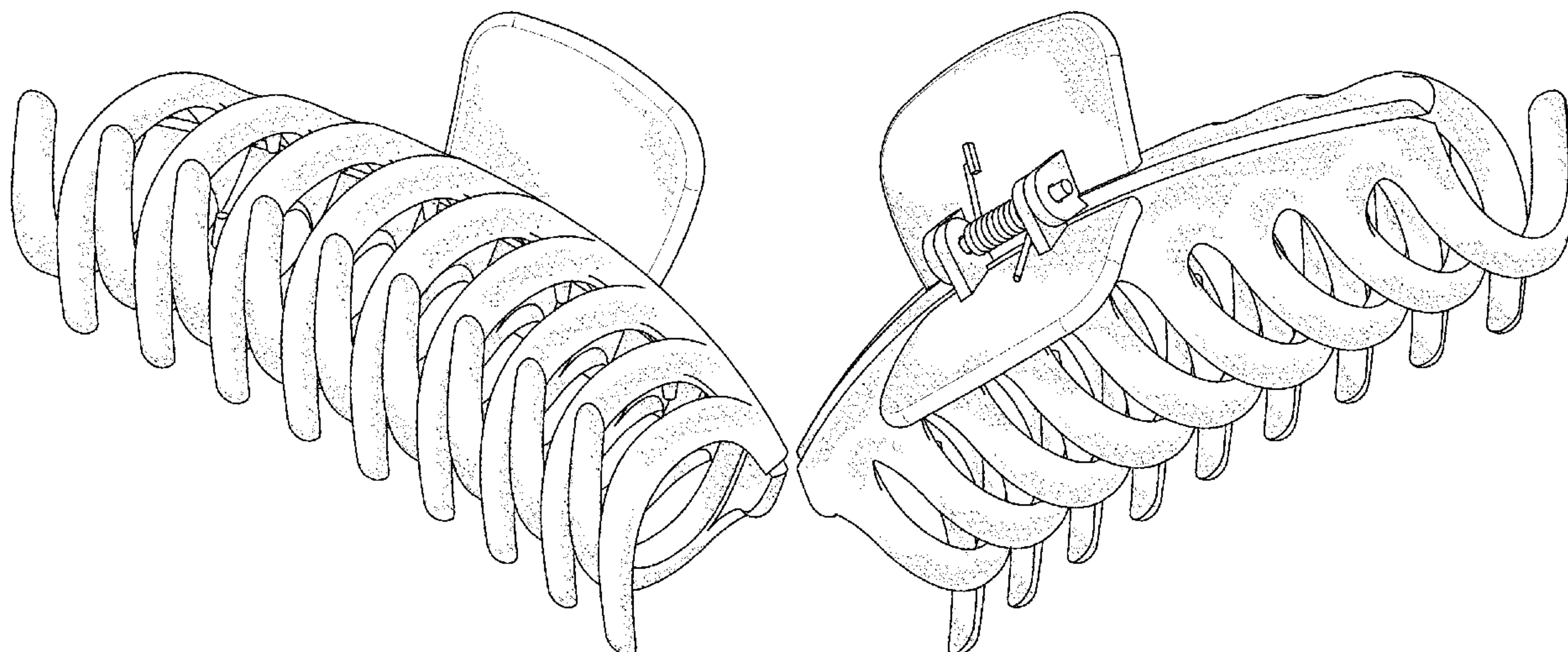
FIG. 6 is a right side elevation view thereof.

FIG. 7 is a top plan view thereof.

FIG. 8 is a bottom plan view thereof; and,

FIG. 9 is a perspective view of the hair clip opened.

**1 Claim, 9 Drawing Sheets**



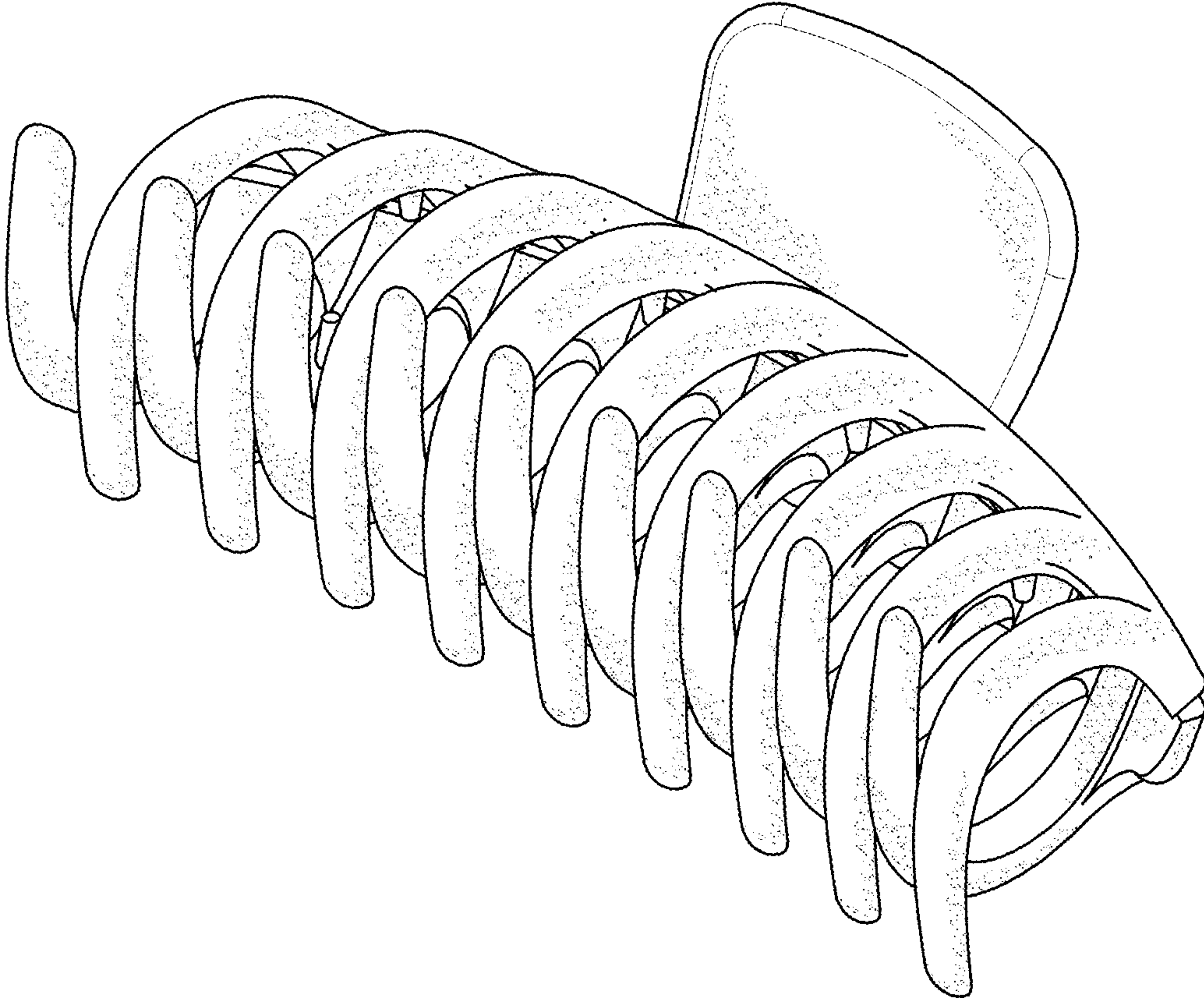


FIG. 1

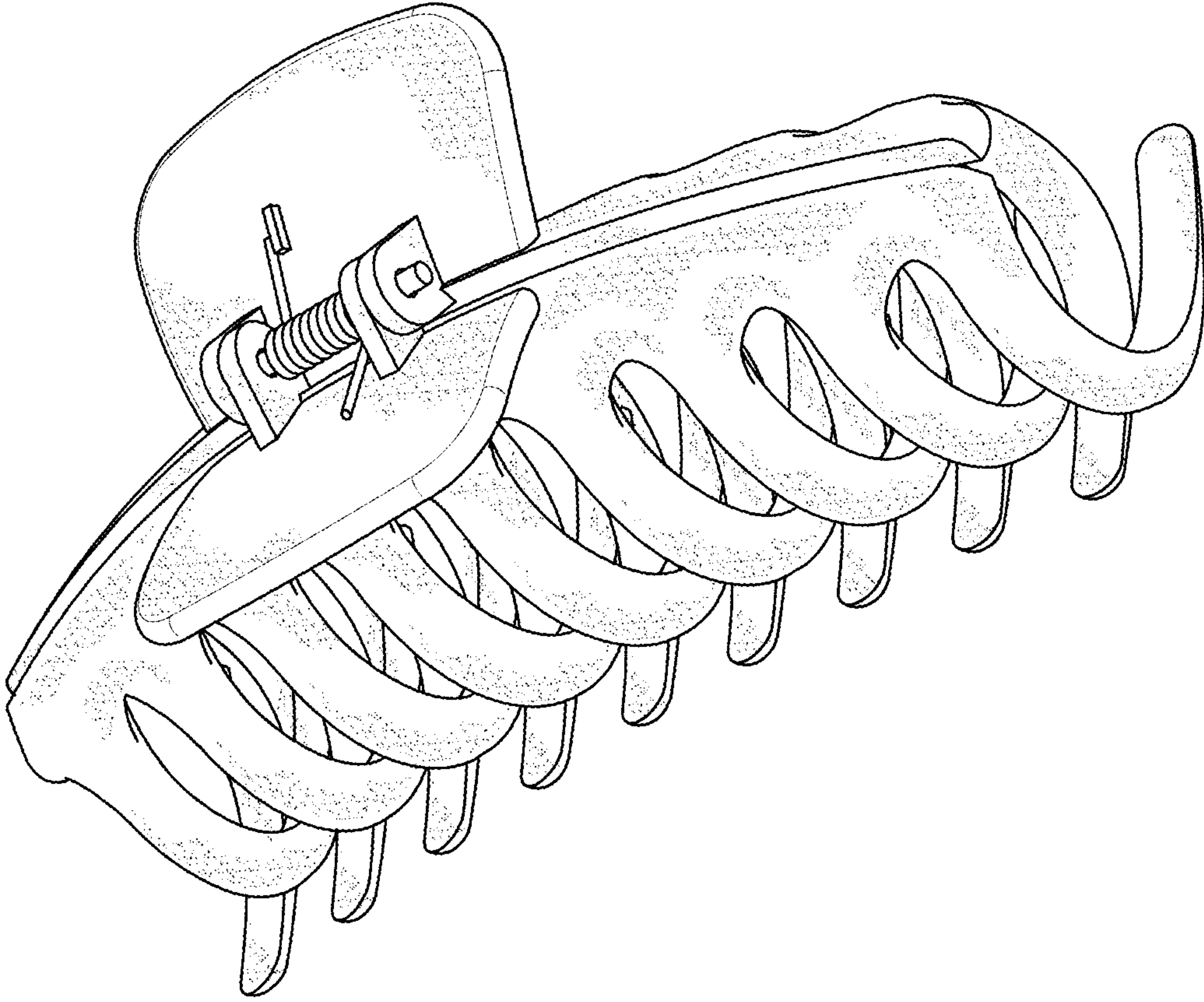


FIG. 2



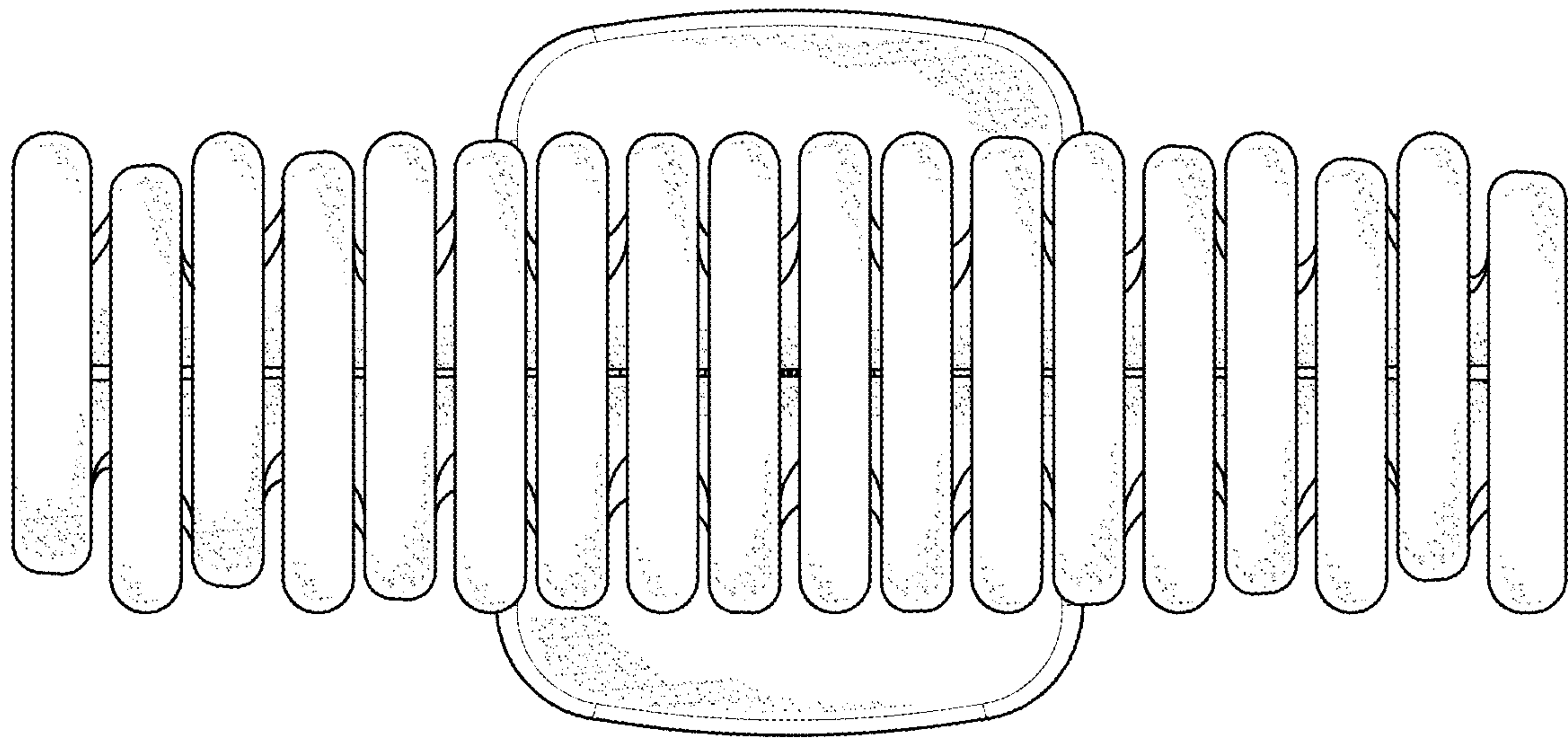


FIG. 3

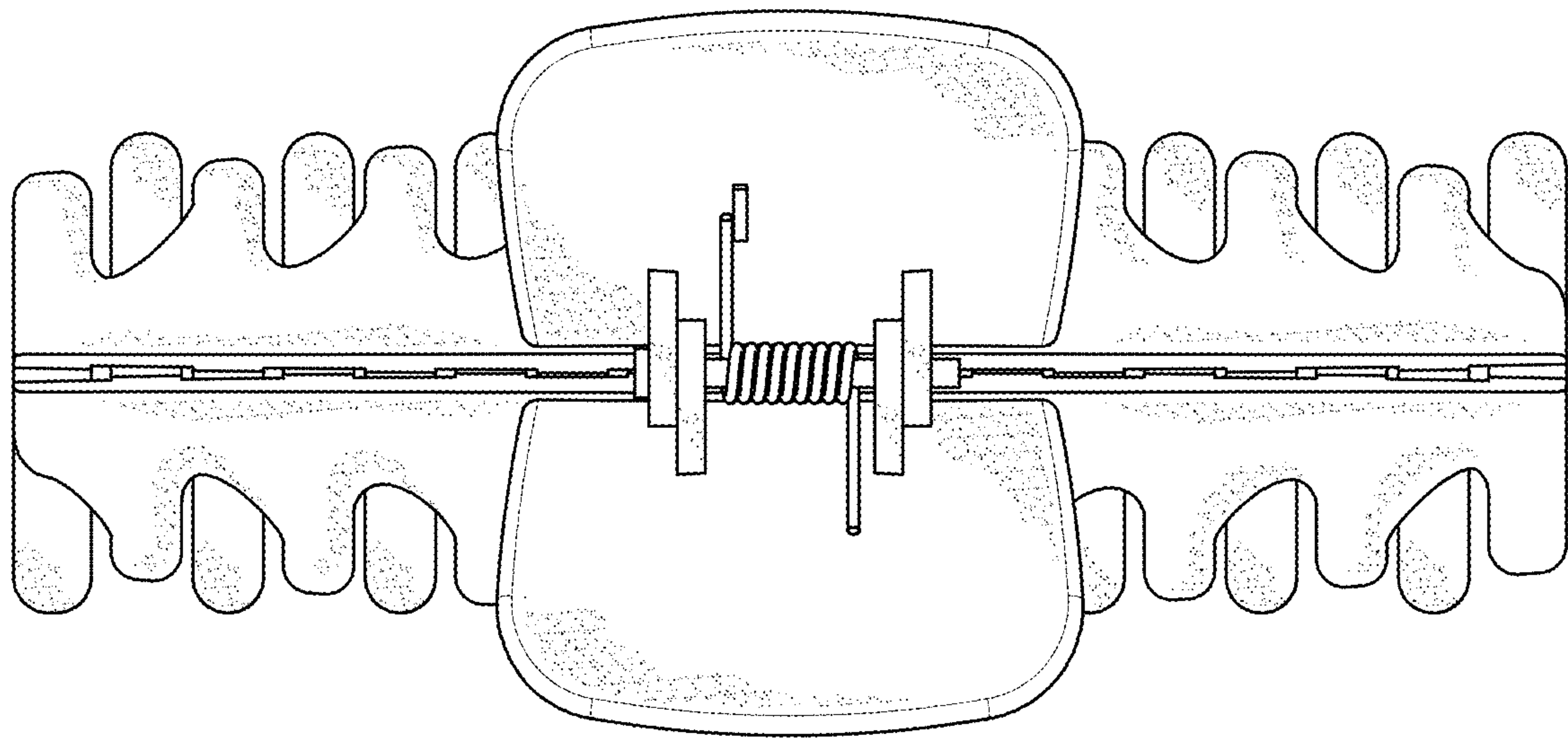


FIG. 4

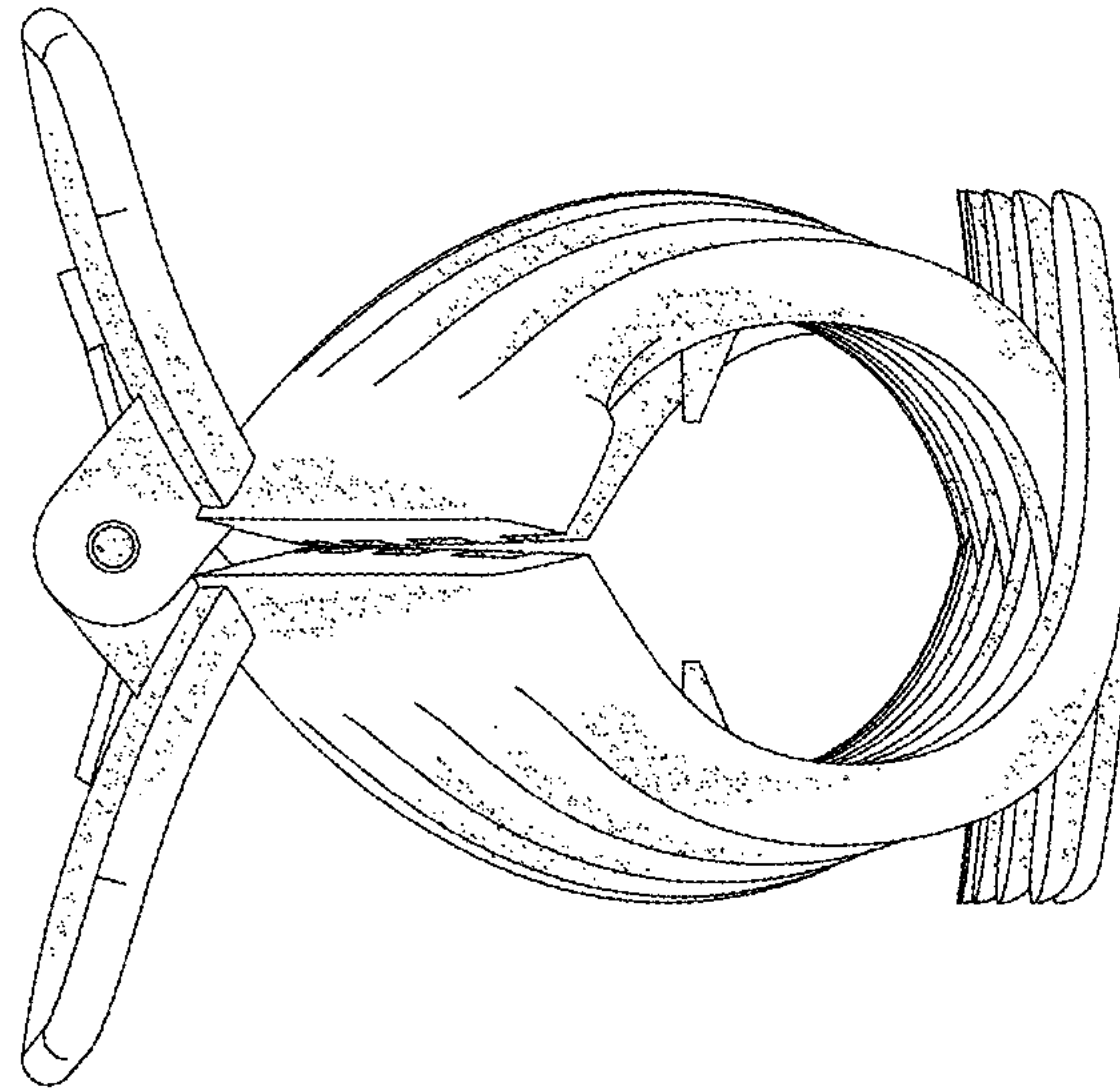


FIG. 5

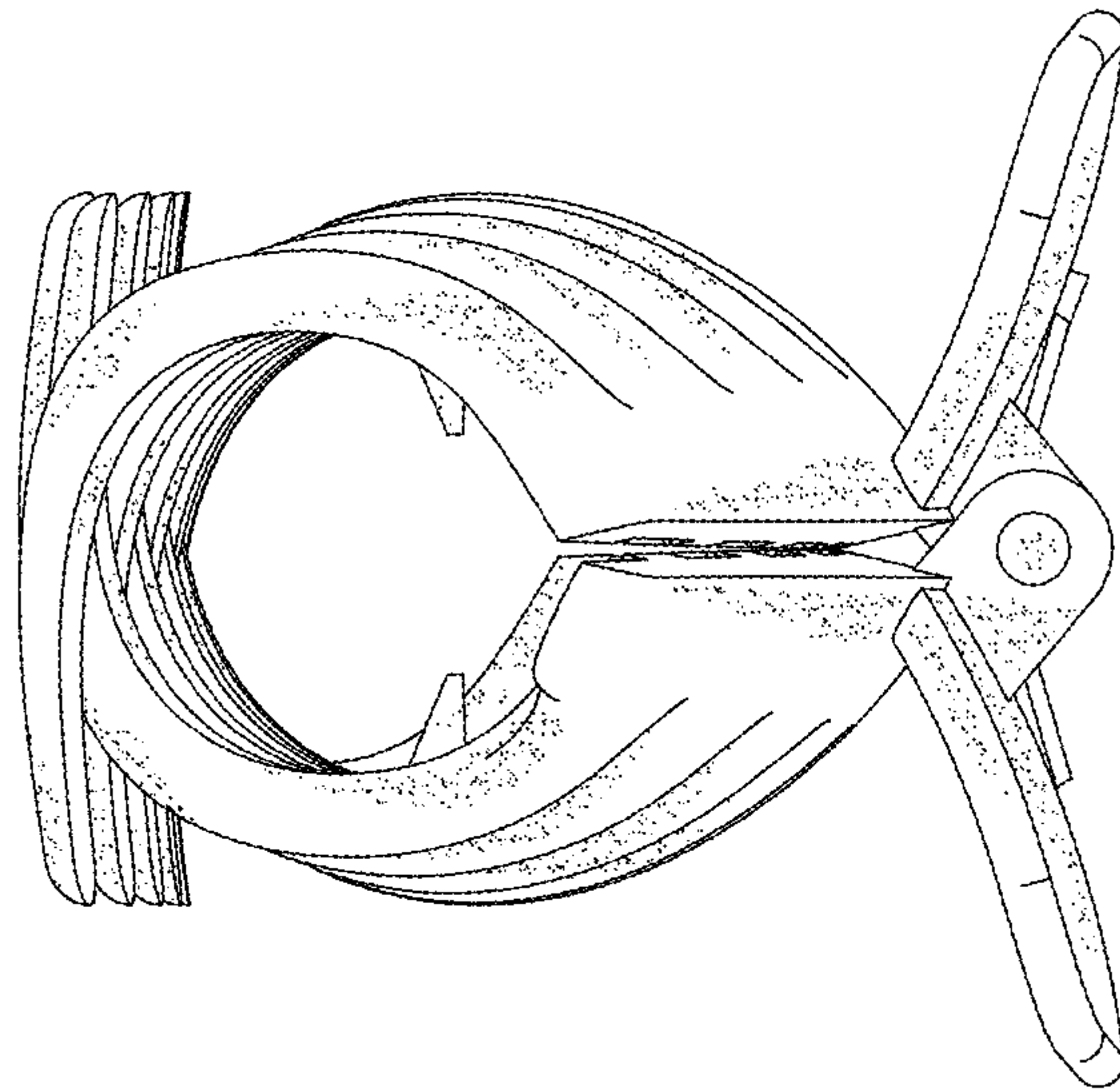


FIG. 6

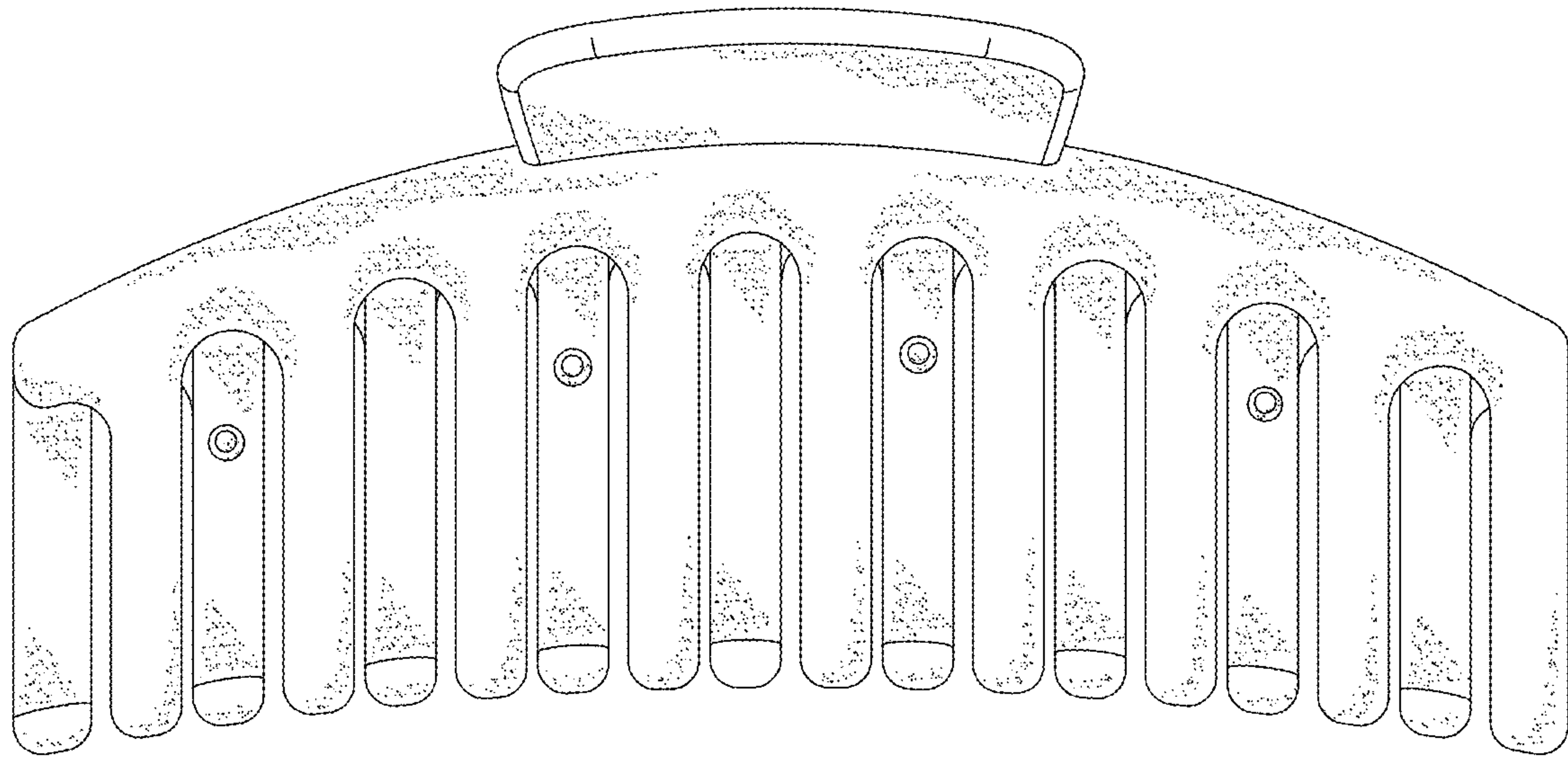


FIG. 7



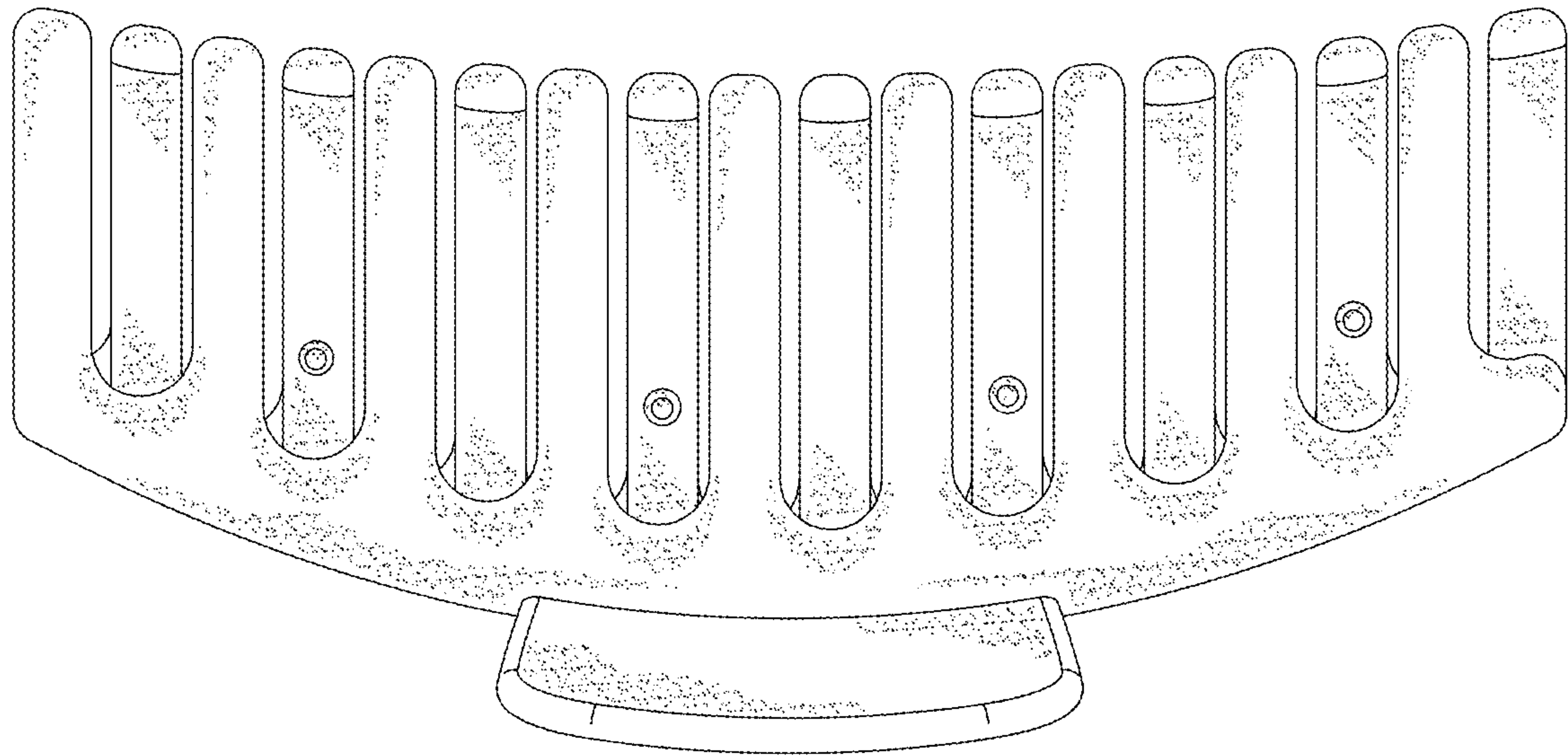


FIG. 8

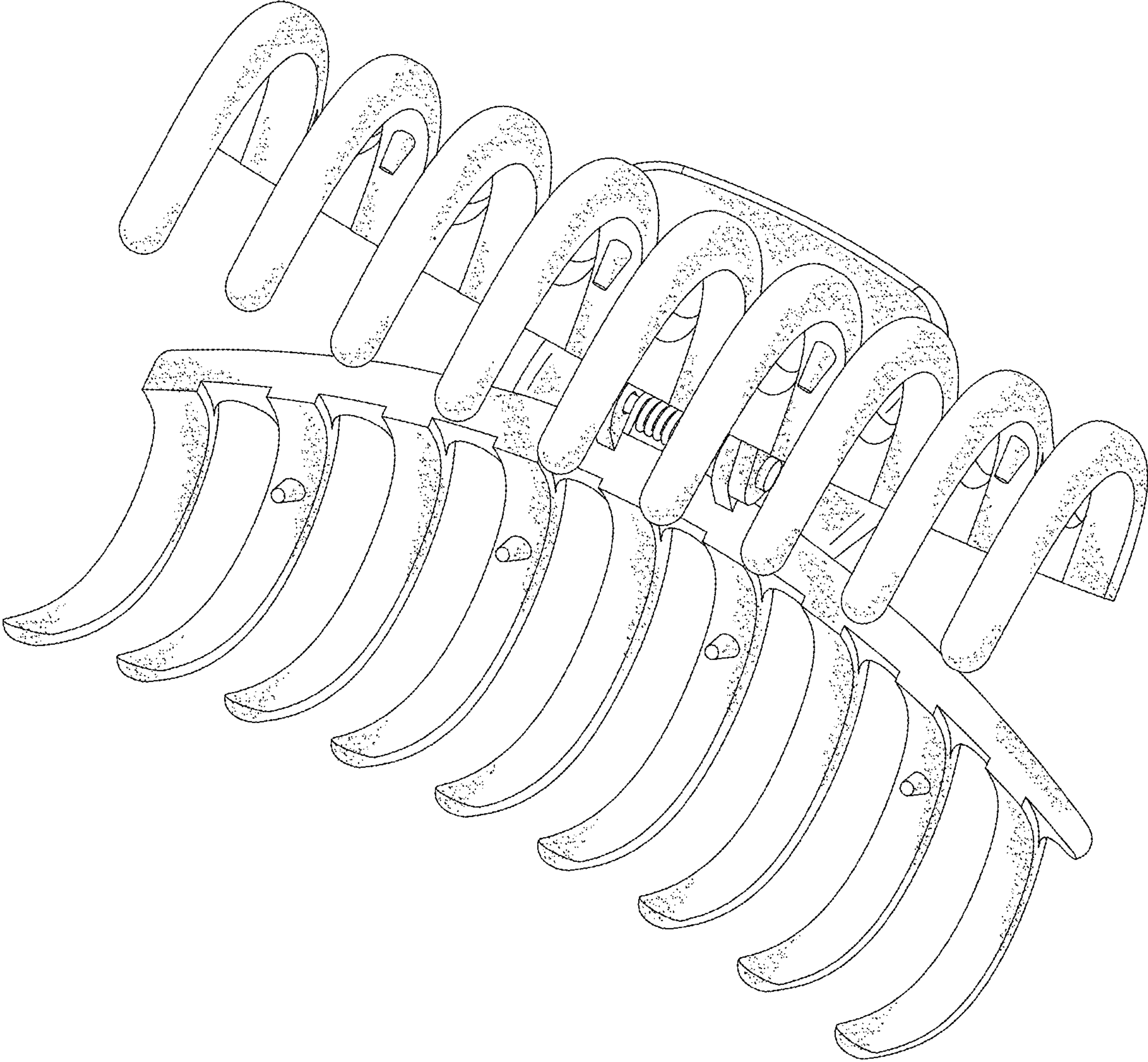


FIG. 9