



US00D918470S

(12) **United States Design Patent** (10) **Patent No.:** **US D918,470 S**  
**Murphy** (45) **Date of Patent:** **\*\* May 4, 2021**

- (54) **LIQUID DERMATOLOGICAL AGENT DISPENSING DEVICE**
- (71) Applicant: **RLM Group Ltd.**, Mt. Kisco, NY (US)
- (72) Inventor: **Robert L. Murphy**, Mt. Kisco, NY (US)
- (73) Assignee: **RLM Group Ltd.**, Mt. Kisco, NY (US)
- (\*\*) Term: **15 Years**
- (21) Appl. No.: **29/722,152**
- (22) Filed: **Jan. 27, 2020**

- 6,457,891 B1 † 10/2002 Bredacts ..... A45D 33/06  
401/12
- D481,165 S \* 10/2003 Angeletta ..... D28/7
- D506,027 S \* 6/2005 Angeletta ..... D28/7
- D536,481 S † 2/2007 Angeletta ..... D28/7
- 7,226,227 B2 † 6/2007 Gueret ..... A45D 34/06  
132/31
- D582,603 S \* 12/2008 Dibnah ..... D28/7
- 7,686,528 B2 † 3/2010 Gueret ..... A45D 34/04  
401/12
- 7,743,775 B2 † 6/2010 Thiebaut ..... A45D 40/24  
132/28
- 7,845,871 B2 † 12/2010 Thiebaut ..... A45D 34/06  
132/31
- 8,123,426 B2 † 2/2012 Byun ..... B65D 35/36  
401/20
- D698,078 S † 1/2014 Purizhansky ..... D28/7
- 9,096,352 B2 \* 8/2015 Murphy ..... B65D 35/44

(Continued)

**Related U.S. Application Data**

- (62) Division of application No. 29/626,362, filed on Nov. 16, 2017.
- (51) **LOC (13) Cl.** ..... **28-02**
- (52) **U.S. Cl.** ..... **D28/7**  
USPC ..... **D28/7**
- (58) **Field of Classification Search**  
USPC ..... D28/7, 4-6, 82, 76, 78, 73; 208/823,  
208/828, 277, 438; 132/317, 318  
CPC ..... A45D 40/0068; A45D 40/0075; A45D  
40/00; A45D 2040/0093; A45D  
2040/0006  
See application file for complete search history.

**References Cited**

**U.S. PATENT DOCUMENTS**

- D266,311 S † 9/1982 Mattheis ..... D9/446
- 4,752,015 A † 6/1988 Schumacher ..... B65D 47/44  
215/228
- 5,914,116 A † 6/1999 Soares ..... A61K 8/02  
424/40
- 6,270,277 B1 \* 8/2001 Ogino ..... A46B 11/0013  
401/262

*Primary Examiner* — Marissa J Cash  
*Assistant Examiner* — Rebecca Tsehaye  
(74) *Attorney, Agent, or Firm* — K&L Gates LLP

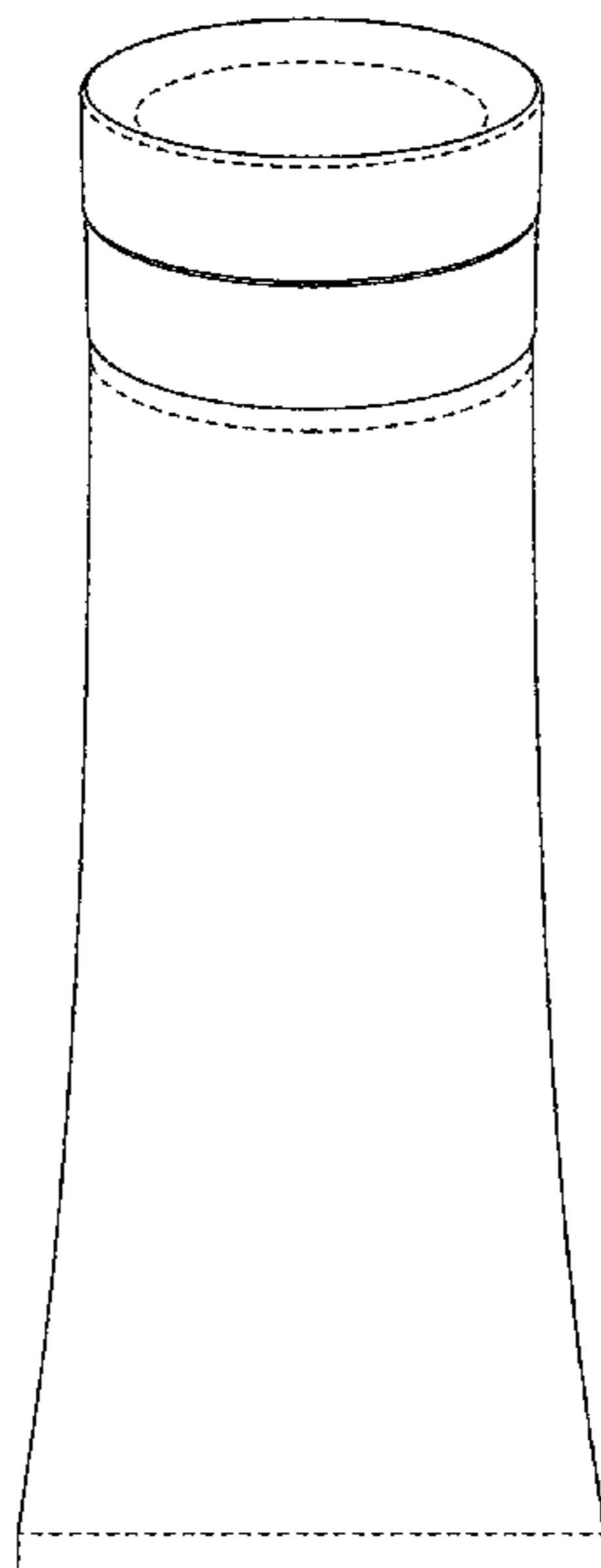
(57) **CLAIM**

The ornamental design for a liquid dermatological agent dispensing device, as shown and described.

**DESCRIPTION**

FIG. 1 is a front elevation view of a liquid dermatological agent dispensing device showing my new design;  
FIG. 2 is a top plan view thereof;  
FIG. 3 is a bottom plan view thereof;  
FIG. 4 is a front perspective view thereof;  
FIG. 5 is a first partial front exploded perspective view thereof; and,  
FIG. 6 is a second partial front exploded perspective view thereof.  
The broken line portions in the drawings depict portions of the liquid dermatological agent dispensing device that form no part of the claimed design.

**1 Claim, 6 Drawing Sheets**



(56)

**References Cited**

U.S. PATENT DOCUMENTS

9,296,525 B2 \* 3/2016 Murphy ..... B65D 35/44  
D764,106 S ‡ 8/2016 Teller ..... D28/82  
D786,498 S ‡ 5/2017 Medioni ..... D28/7  
10,117,497 B1 ‡ 11/2018 Murphy ..... A45D 34/00  
2004/0069677 A1 ‡ 4/2004 Baudin ..... A45D 40/0068  
206/581  
2004/0190974 A1 ‡ 9/2004 Cantone ..... A45D 29/007  
401/25  
2004/0234321 A1 ‡ 11/2004 Breidenbach ..... A45D 34/06  
401/21  
2011/0210039 A1 ‡ 9/2011 Alongi ..... B65D 21/0238  
206/58  
2016/0011965 A1 ‡ 1/2016 Murphy ..... G06F 12/0246  
711/103  
2017/0202342 A1 ‡ 7/2017 Won ..... A45D 40/0068  
2019/0075908 A1 ‡ 3/2019 Schlatter ..... A45D 34/04

\* cited by examiner

‡ imported from a related application

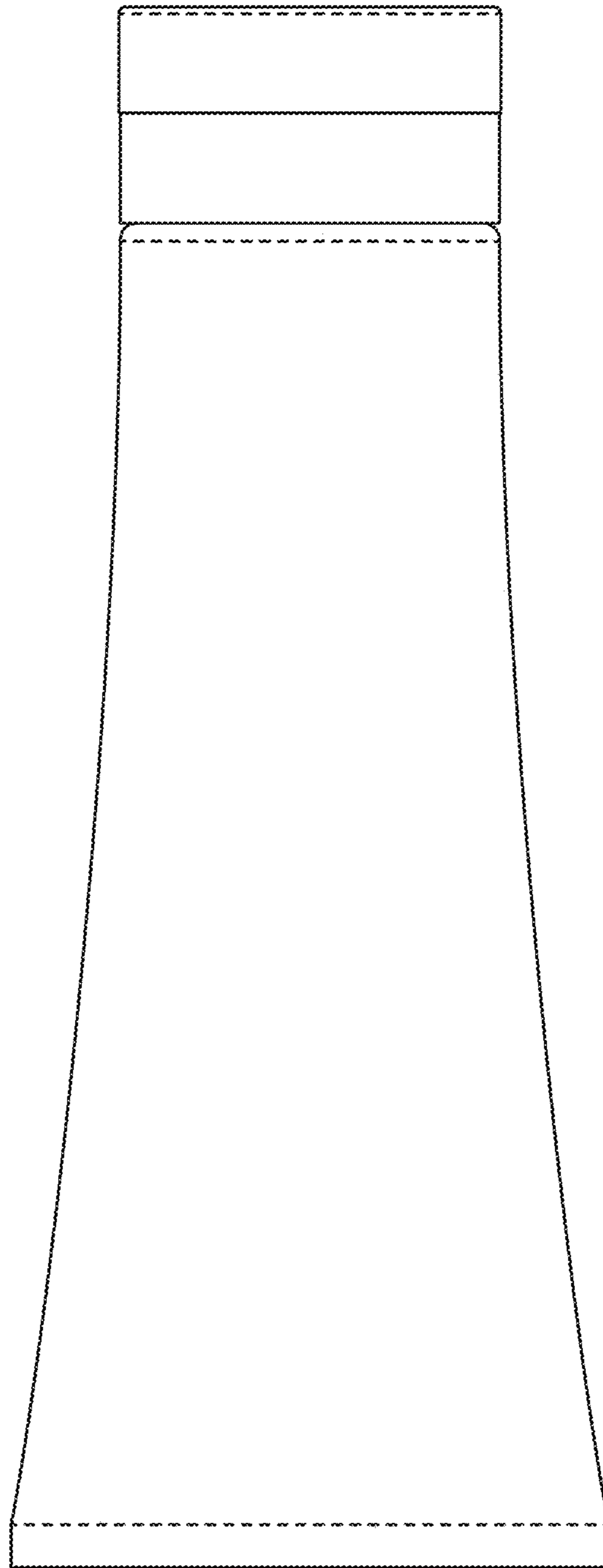


FIG. 1

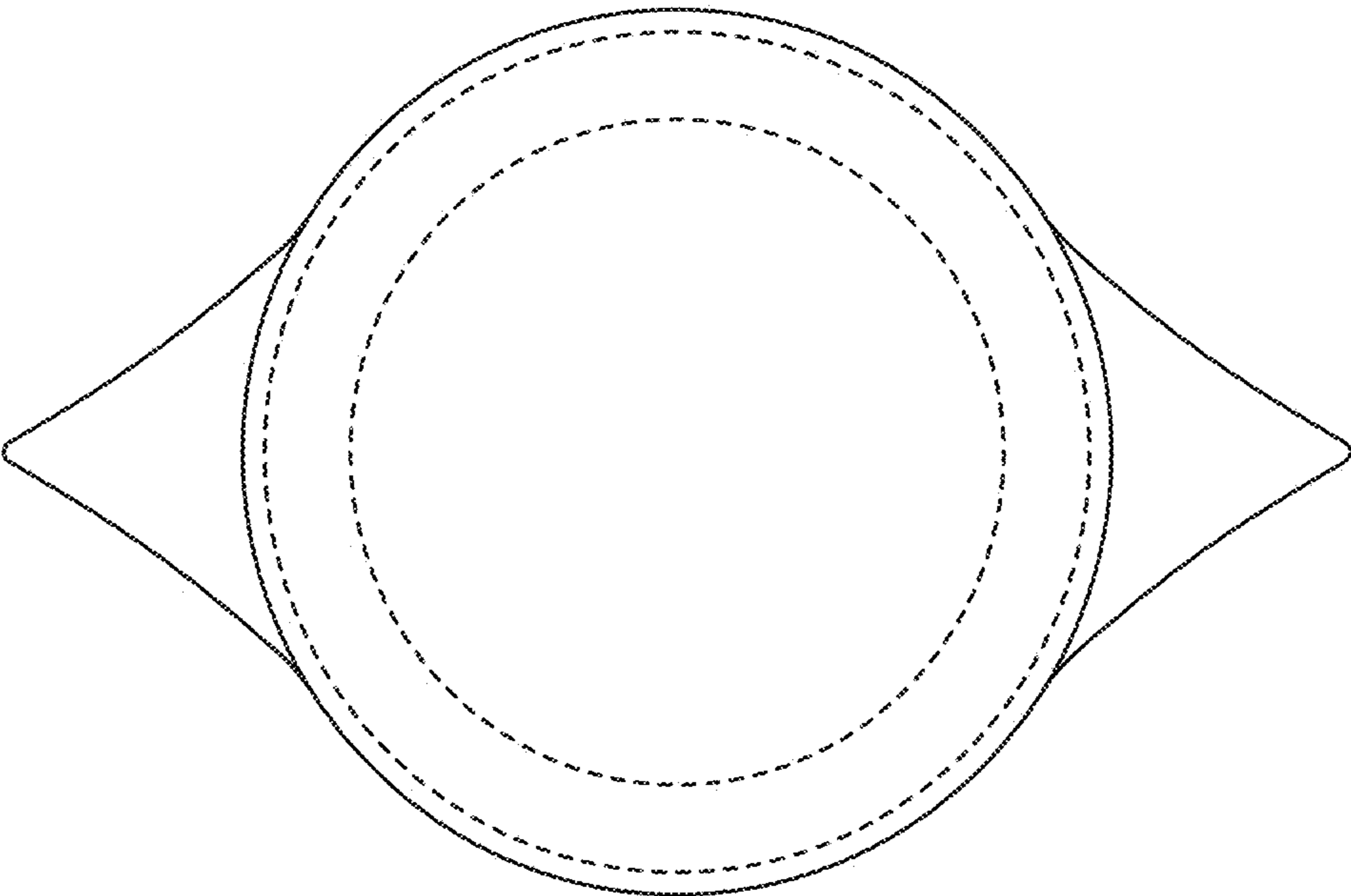


FIG. 2

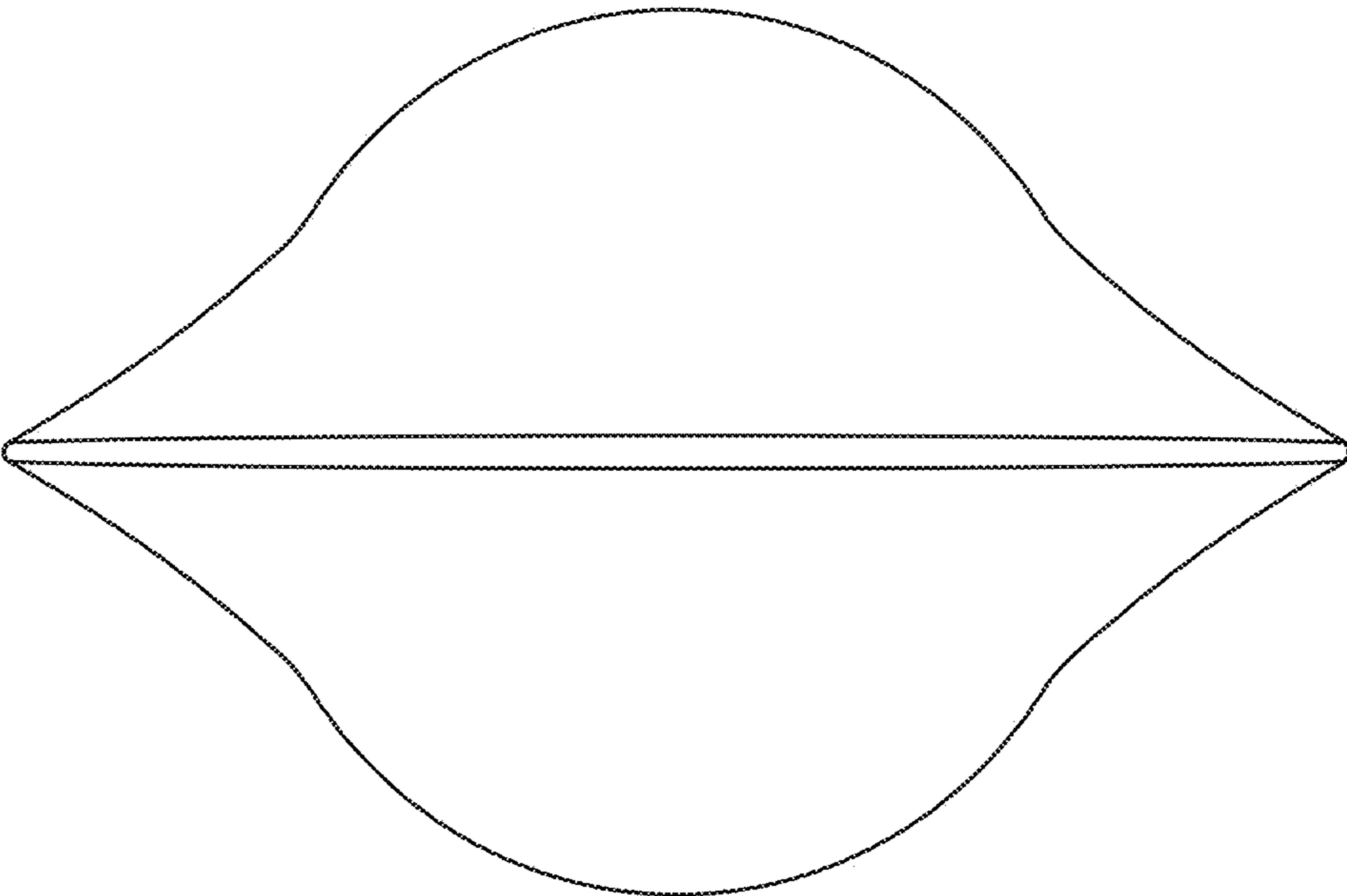


FIG. 3

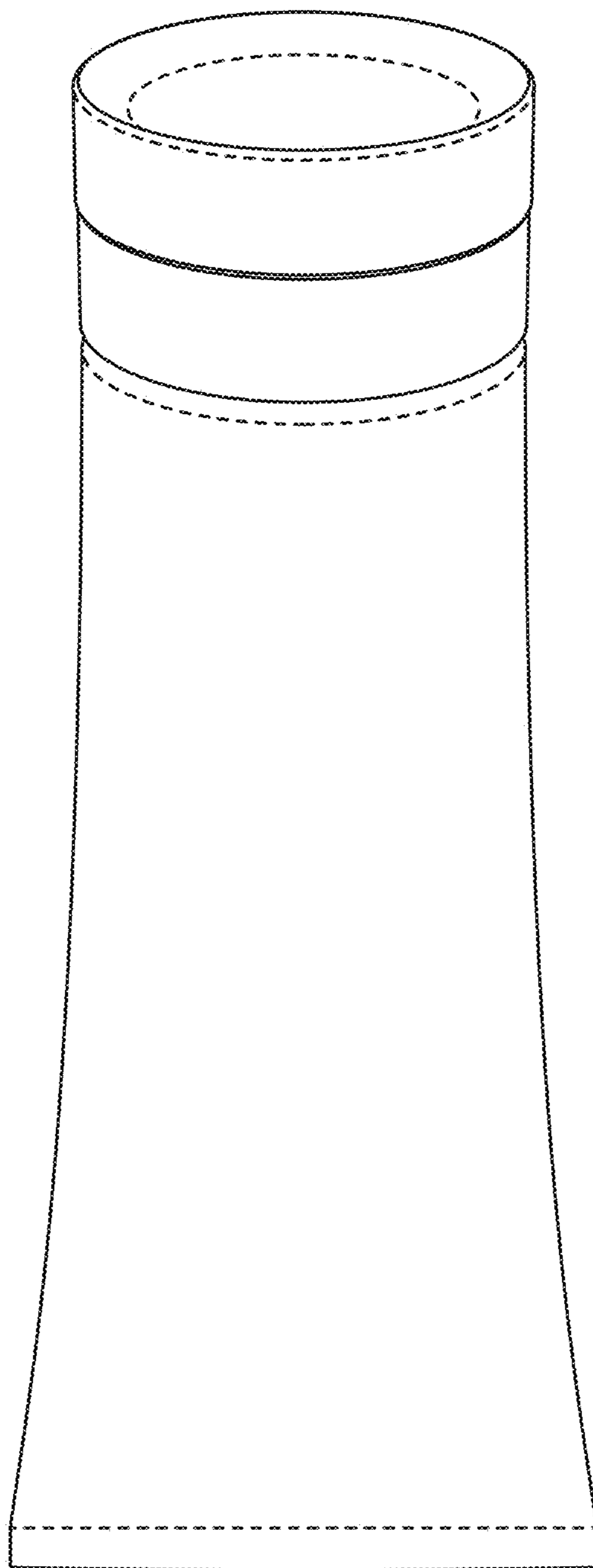


FIG. 4

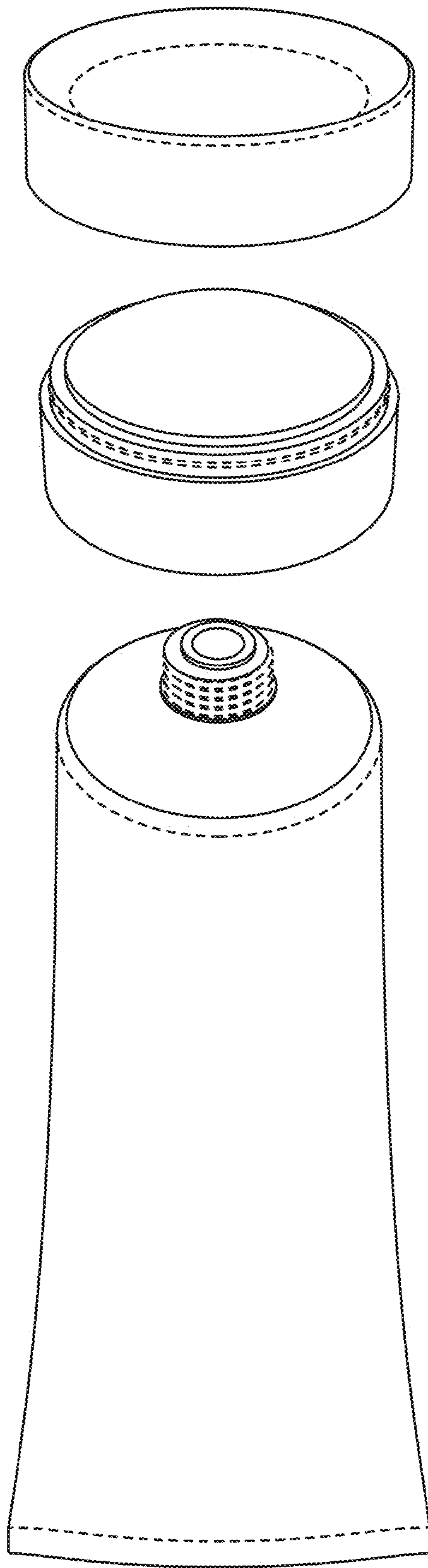


FIG. 5

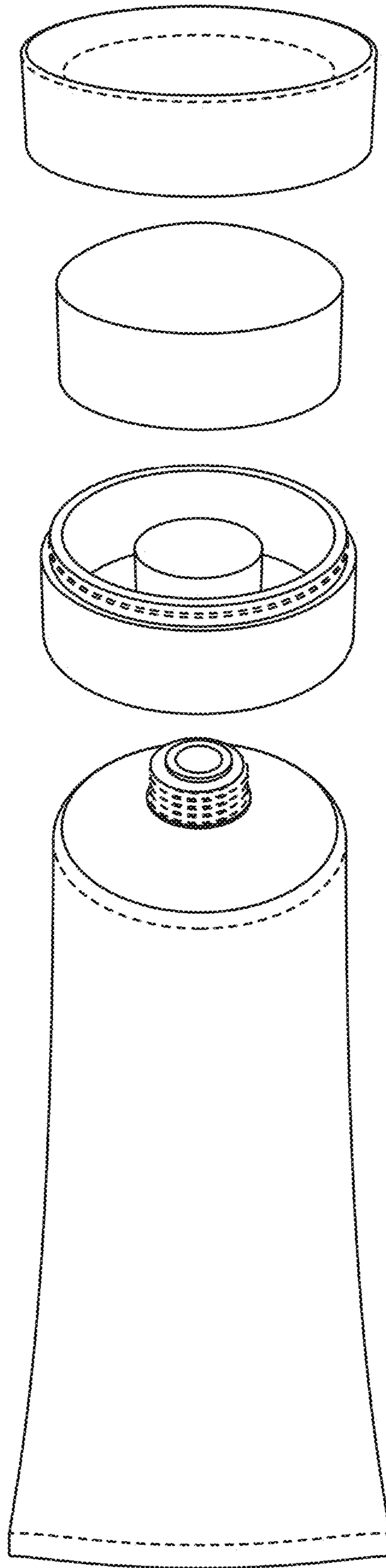


FIG. 6