



US00D918468S

(12) **United States Design Patent**
Kim

(10) **Patent No.:** **US D918,468 S**

(45) **Date of Patent:** **** May 4, 2021**

(54) **HAIR BRUSH APPLICATOR FOR APPLYING DRY SHAMPOO**

(71) Applicant: **Michelle Kim**, Fountain Valley, CA (US)

(72) Inventor: **Michelle Kim**, Fountain Valley, CA (US)

(**) Term: **15 Years**

(21) Appl. No.: **29/673,705**

(22) Filed: **Dec. 17, 2018**

(51) **LOC (13) Cl.** **28-02**

(52) **U.S. Cl.**
USPC **D28/7**

(58) **Field of Classification Search**
USPC D28/7, 8, 8.1, 8.2, 9, 20, 48, 54.1, 63, D28/73, 76, 77, 78, 82

CPC A45D 33/00; A45D 33/001; A45D 33/003; A45D 33/006; A45D 33/02; A45D 33/18; A45D 33/22; A45D 40/26; A45D 40/261; A45D 40/28; A45D 44/08; A45D 44/10; A45D 2200/20; A45D 2200/207; A45D 2200/1009; A45D 2200/1054; A45D 2200/1063; A45D 2200/1081; A45D 2200/109; A46B 2200/00; A46B 2200/10; A46B 2200/102; A46B 2200/1046; A46B 5/00; A46B 5/02; A46B 5/021; A46B 5/023; A46B 5/025; A46B 5/026; A46B 5/028; A46B 5/0095; A46B 7/00; A46B 7/02; A46B 7/023; A47K 7/00; A47K 7/02; A47K 7/06; A47K 7/08

See application file for complete search history.

(56) **References Cited**

U.S. PATENT DOCUMENTS

D385,704 S * 11/1997 Williams D4/114
D413,799 S * 9/1999 Schlatter D28/76
D532,935 S * 11/2006 Kostow D28/76
D743,174 S * 11/2015 von Berg D4/102
D770,181 S * 11/2016 Reishus D4/100

D858,282 S * 9/2019 Han D9/436
D869,089 S * 12/2019 Rechenmann D28/7
2013/0199558 A1 * 8/2013 Feller A45D 33/00
132/200
2016/0206086 A1 * 7/2016 Boyko A46B 7/023
2016/0206087 A1 * 7/2016 Skidmore A46B 13/008
2018/0184783 A1 * 7/2018 Cheng A45D 33/006

FOREIGN PATENT DOCUMENTS

FR 2897245 A1 * 8/2007 B65D 47/42

OTHER PUBLICATIONS

Root Touch Up Hair Powder, announced Feb. 27, 2019 [online], retrieved Jan. 21, 2020, retrieved from internet, <https://www.influenster.com/reviews/root-touch-up-hair-powder-temporary-hair-color-gray-coverage-root-concealer-thinning-hair-powder-dry-shampoo-kabuki-applicator-choose-from-25-colors-basic-brown>.
Ambiance Dry Shampoo, announced Mar. 2, 2014 [online], retrieved Jan. 21, 2020, retrieved from internet, <https://www.amazon.com/Ambiance-Dry-Shampoo-Formula-Value/dp/B01CH9KS9O>.

* cited by examiner

Primary Examiner — Dana K Weiland
Assistant Examiner — Messina L Smith

(74) *Attorney, Agent, or Firm* — Dinsmore & Shohl LLP

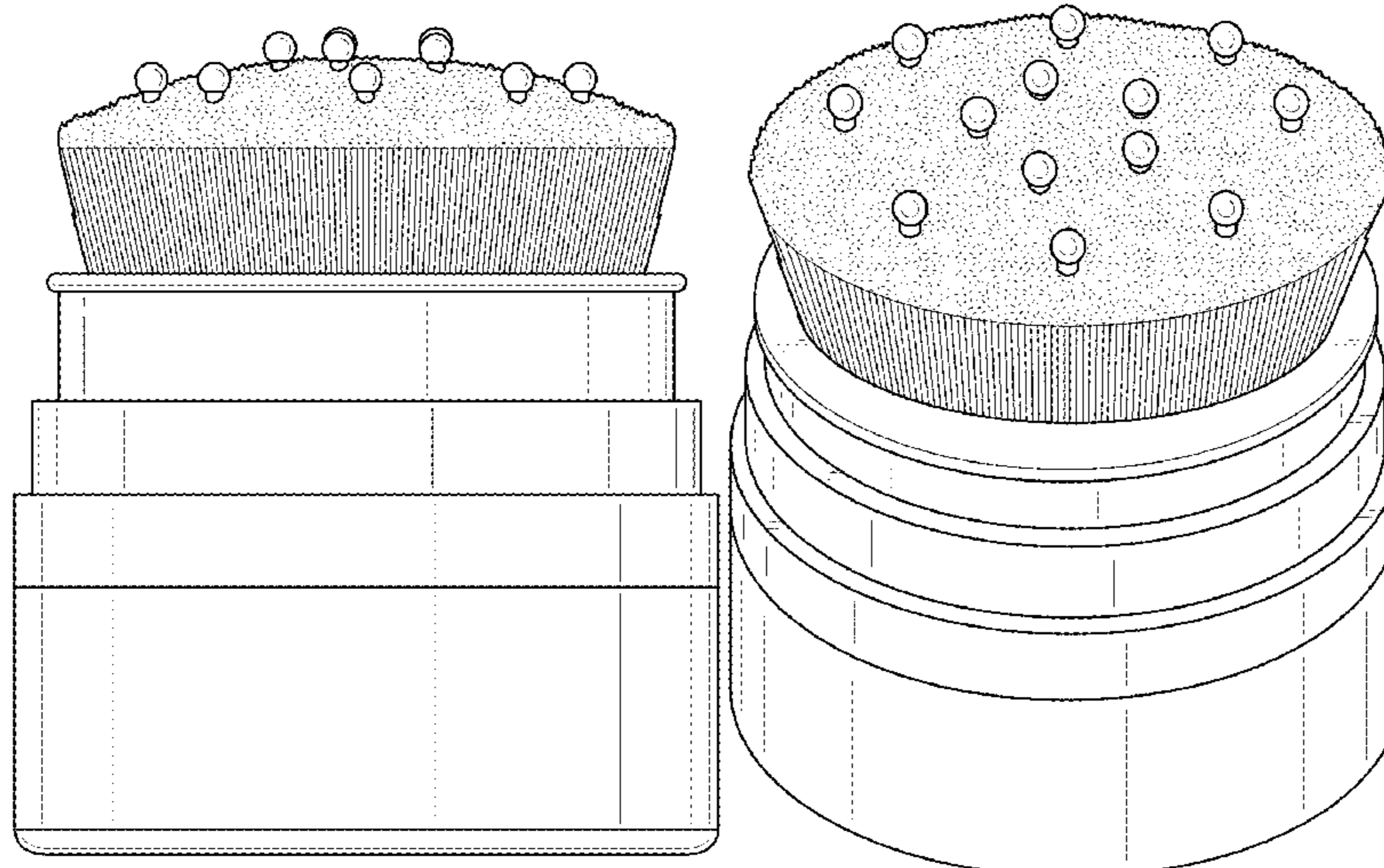
(57) **CLAIM**

The ornamental design for a hair brush applicator for applying dry shampoo, as shown and described.

DESCRIPTION

FIG. 1 is a side view of the a hair brush applicator for applying dry shampoo according to the new design; FIG. 2 is a side perspective view of the hair brush applicator for applying dry shampoo; FIG. 3 is a top view of the hair brush applicator for applying dry shampoo; and, FIG. 4 is a bottom view of the hair brush applicator for applying dry shampoo.

1 Claim, 2 Drawing Sheets



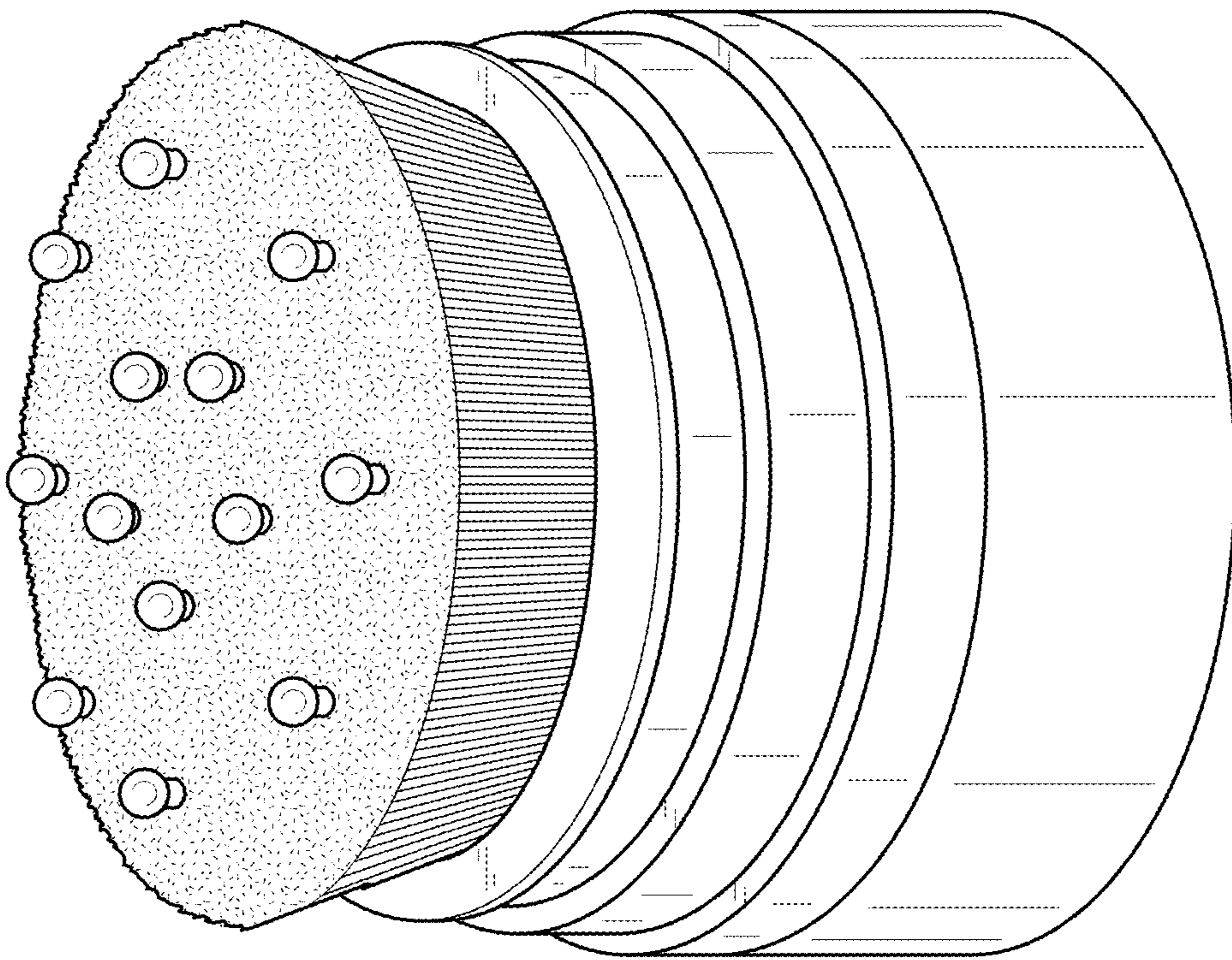


FIG. 2

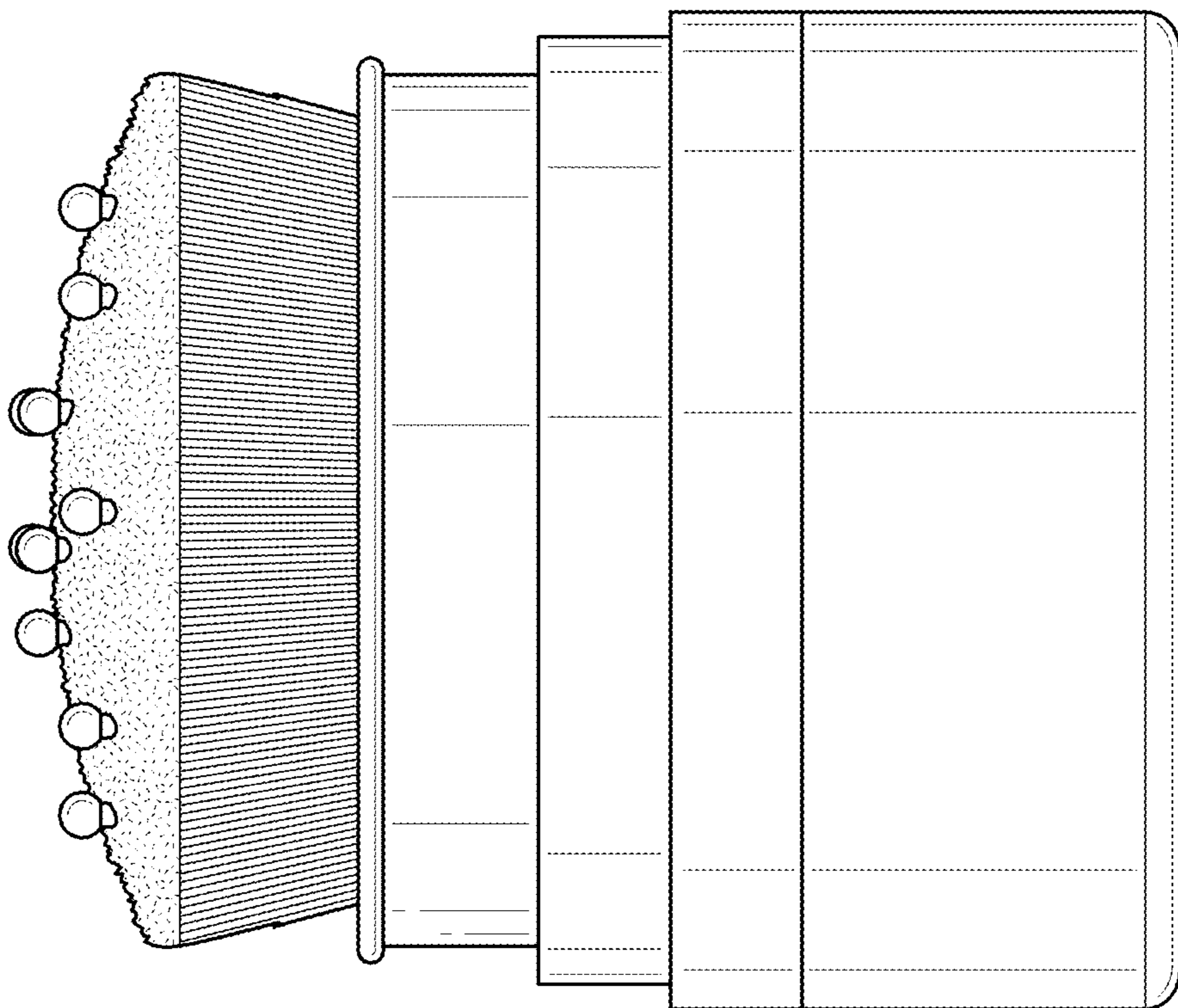


FIG. 1

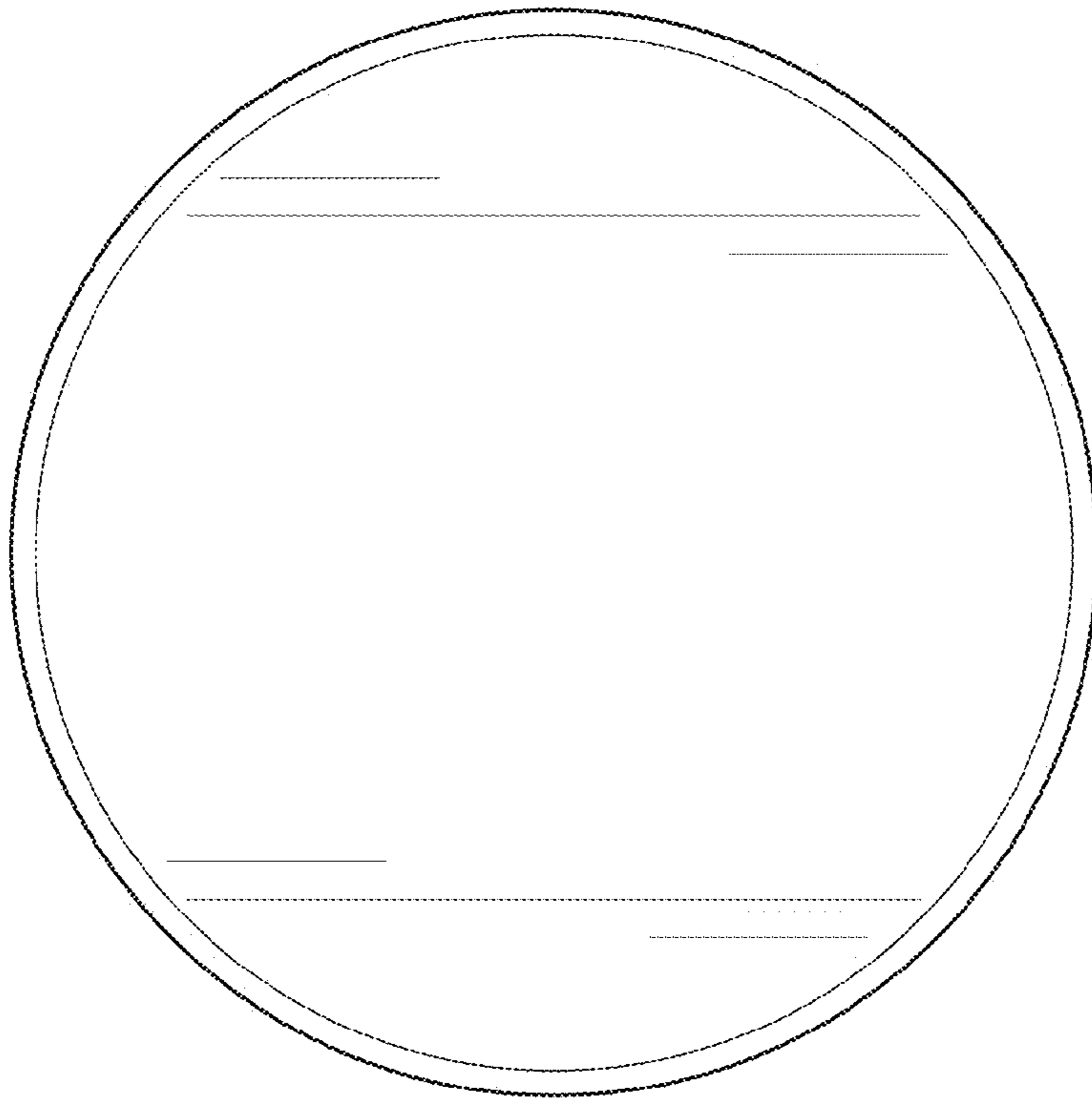


FIG. 4

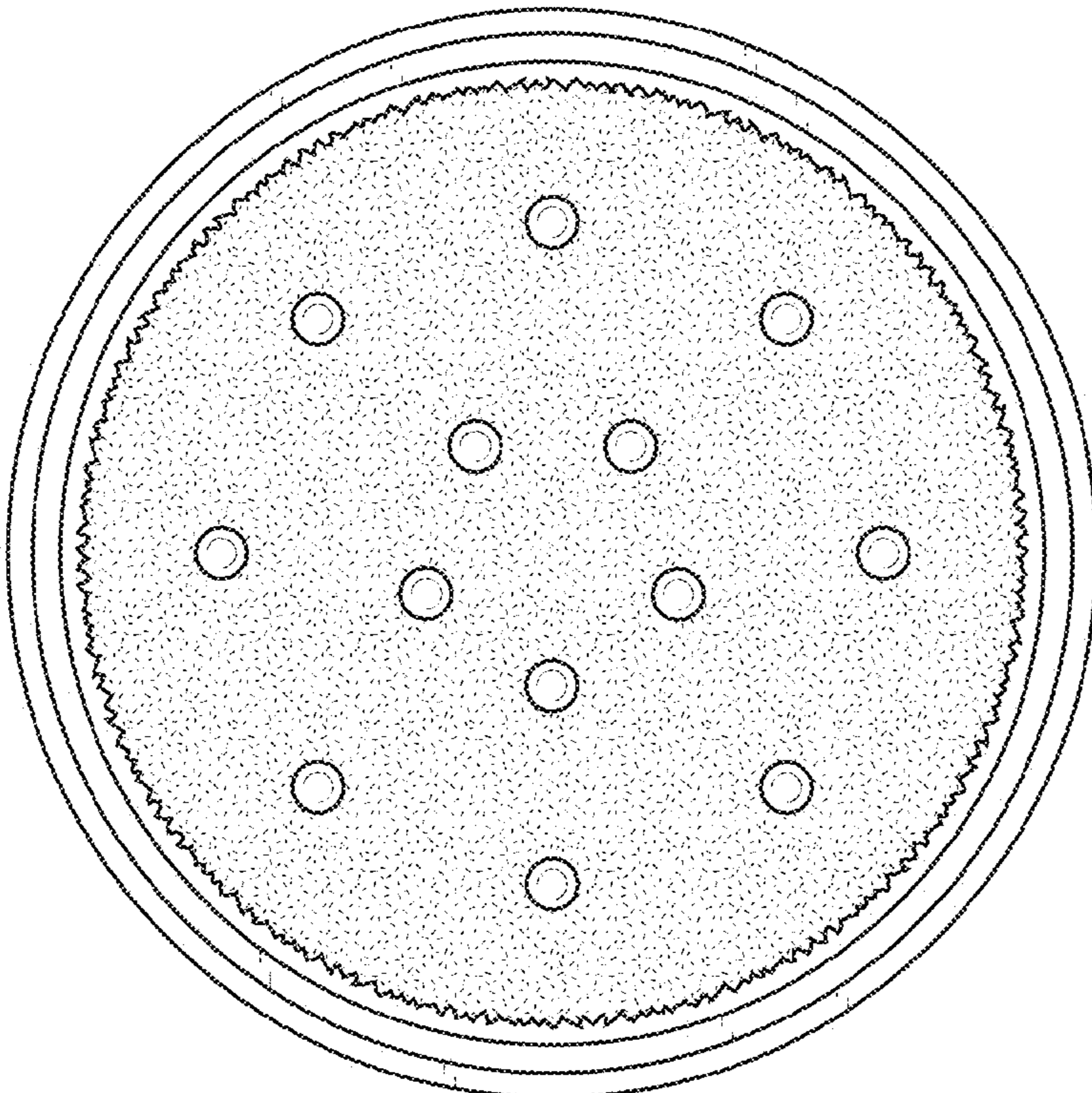


FIG. 3