



US00D918465S

(12) **United States Design Patent** (10) **Patent No.:** **US D918,465 S**
Van Den Bergh (45) **Date of Patent:** **** May 4, 2021**

(54) **ELECTRONIC VAPING DEVICE**
(71) Applicant: **Altria Client Services LLC**,
Richmond, VA (US)

D748,853 S 2/2016 Seibel et al.
D758,648 S 6/2016 Wu
D761,998 S * 7/2016 Pinder D27/101
(Continued)

(72) Inventor: **Joshua Van Den Bergh**, Richmond, VA
(US)

OTHER PUBLICATIONS

“Curved Drip Tip for Wooden 618 e pipe 510 long flat curved plastic drip tip mouthpiece for e cigarette pipe”, Sep. 27, 2018.

(73) Assignee: **Altria Client Services LLC**,
Richmond, VA (US)

Primary Examiner — Marissa J Cash
Assistant Examiner — Rebecca Tsehaye
(74) *Attorney, Agent, or Firm* — Harness, Dickey &
Pierce, P.L.C.

(**) Term: **15 Years**

(57) **CLAIM**

(21) Appl. No.: **29/676,857**

The ornamental design for an electronic vaping device, as shown and described.

(22) Filed: **Jan. 15, 2019**

(51) **LOC (13) Cl.** **27-02**

DESCRIPTION

(52) **U.S. Cl.**

USPC **D27/162**

(58) **Field of Classification Search**

USPC D27/162, 100, 101, 163–165, 172, 174,
D27/183, 185–194; D24/110, 110.5;
128/202.21, 203.12; 131/273, 274, 270,
131/191, 328, 329, 330, 360–365
CPC A24F 47/002; A24F 47/006; A24F 47/008;
A61M 15/00; A61M 15/06

See application file for complete search history.

FIG. 1 is an upper front perspective view of an electronic vaping device;
FIG. 2 is a lower, rear perspective view of the electronic vaping device of FIG. 1;
FIG. 3 is a lower, front perspective view of the electronic vaping device of FIG. 1;
FIG. 4 is a front elevation view of the electronic vaping device of FIG. 1;
FIG. 5 is a rear elevation view of the electronic vaping device of FIG. 1;
FIG. 6 is a right side elevation view of the electronic vaping device of FIG. 1;
FIG. 7 is a left side elevation view of the electronic vaping device of FIG. 1;
FIG. 8 is a top plan view of the electronic vaping device of FIG. 1; and,
FIG. 9 is a bottom plan view of the electronic vaping device of FIG. 1.

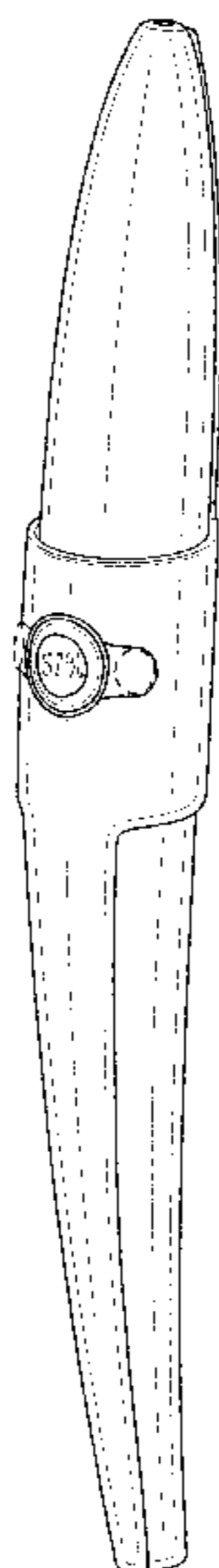
The broken lines in the drawings depict portions of the electronic vaping device that form no part of the claimed design.

(56) **References Cited**

U.S. PATENT DOCUMENTS

D34,602 S 6/1901 Reinstein
D35,637 S 1/1902 Comstock
D47,687 S 8/1915 Dula
D379,473 S 5/1997 DeLorenzo et al.
D686,621 S 7/2013 Pawlus
8,689,786 B2 4/2014 Schennum
D720,094 S * 12/2014 Alima D27/101
D720,496 S * 12/2014 Alima D27/101
D727,566 S * 4/2015 Xiao D27/101
D732,239 S * 6/2015 Chen D27/101
9,113,659 B2 8/2015 Liu

1 Claim, 6 Drawing Sheets



(56)

References Cited

U.S. PATENT DOCUMENTS

D773,729	S	*	12/2016	Jordan	D27/194
D779,722	S	*	2/2017	Volodarsky	D27/162
D782,728	S	*	3/2017	Pinder	D27/101
D790,123	S		6/2017	Beer et al.		
D792,021	S	*	7/2017	Beer	D27/101
D792,644	S	*	7/2017	Jordan	D27/101
D805,684	S	*	12/2017	Thuery	D27/101
D807,574	S		1/2018	Hawes et al.		
D809,190	S	*	1/2018	Schuler	D27/101
D814,102	S	*	3/2018	Lehoux	D27/101
D855,881	S	*	8/2019	Hawes	D27/194
D870,375	S	*	12/2019	Patil	D27/194
D870,962	S	*	12/2019	Choe	D27/163
D871,662	S	*	12/2019	Volodarsky	D27/101
D871,665	S	*	12/2019	Choe	D27/162
D883,566	S	*	5/2020	Filleul	D27/162
2013/0306692	A1		11/2013	Mangum et al.		
2016/0270446	A1	*	9/2016	Shenkal	B01D 46/0097
2017/0202265	A1		7/2017	Hawes et al.		

* cited by examiner

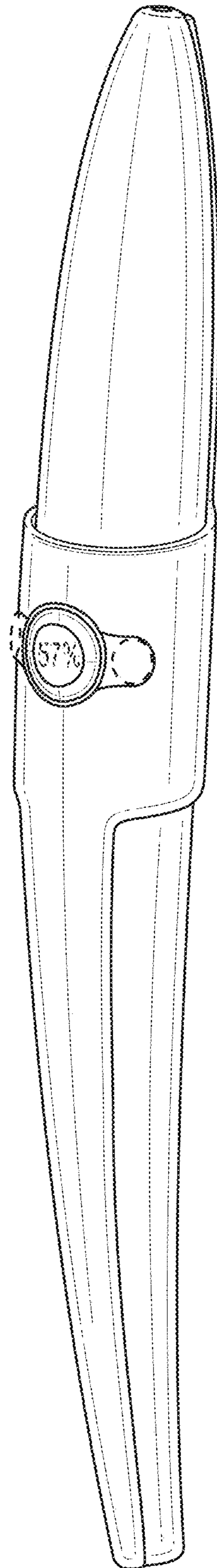


FIG. 1

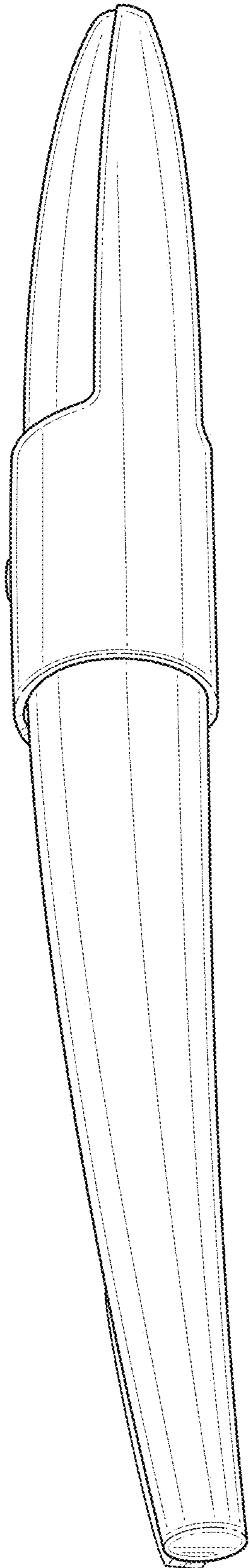


FIG. 2

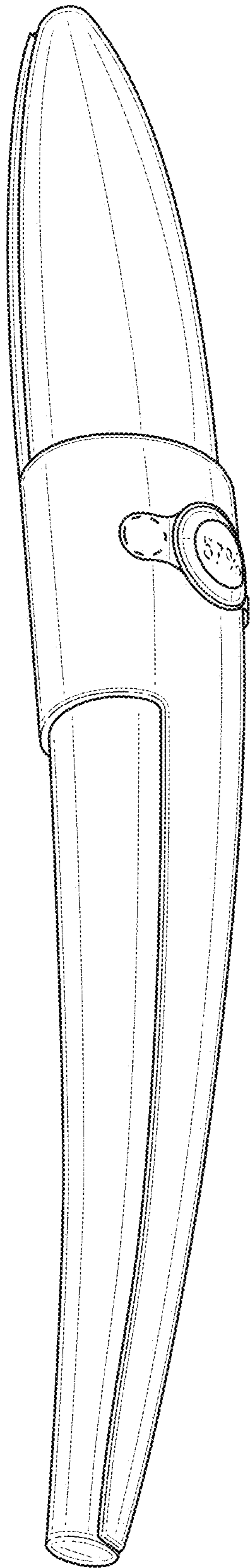


FIG. 3

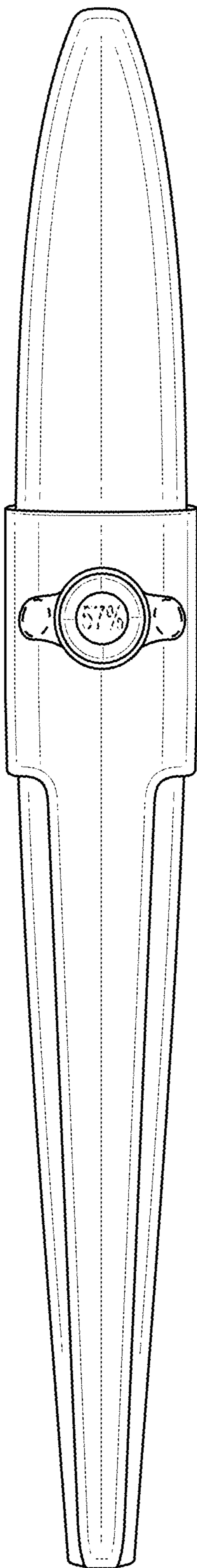


FIG. 4

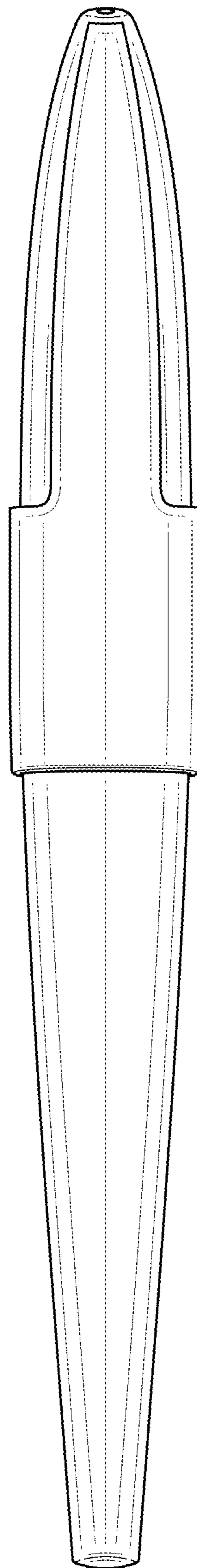


FIG. 5

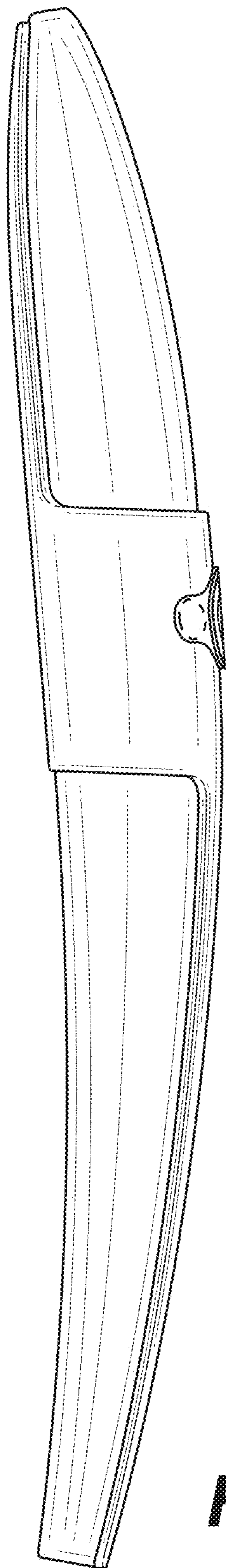


FIG. 6

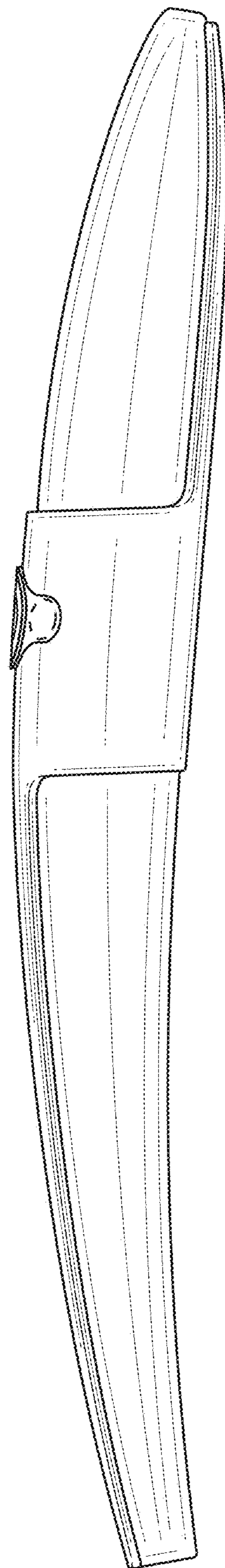


FIG. 7

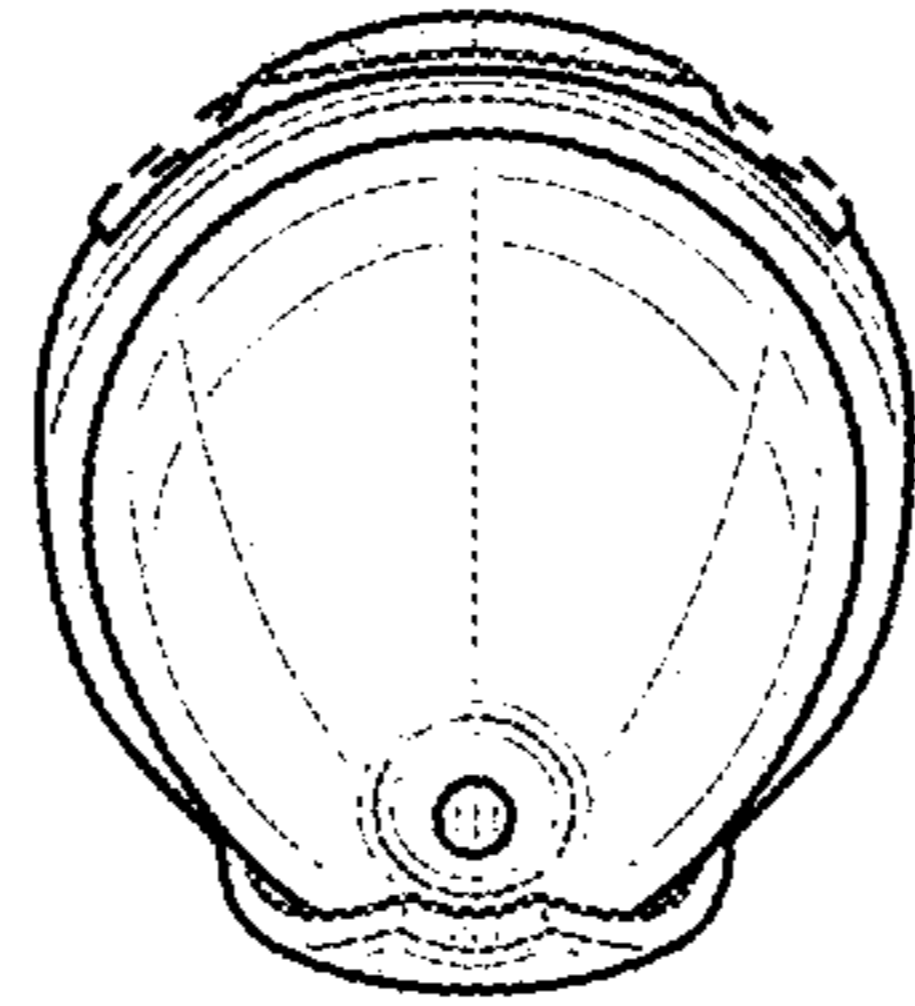


FIG. 8

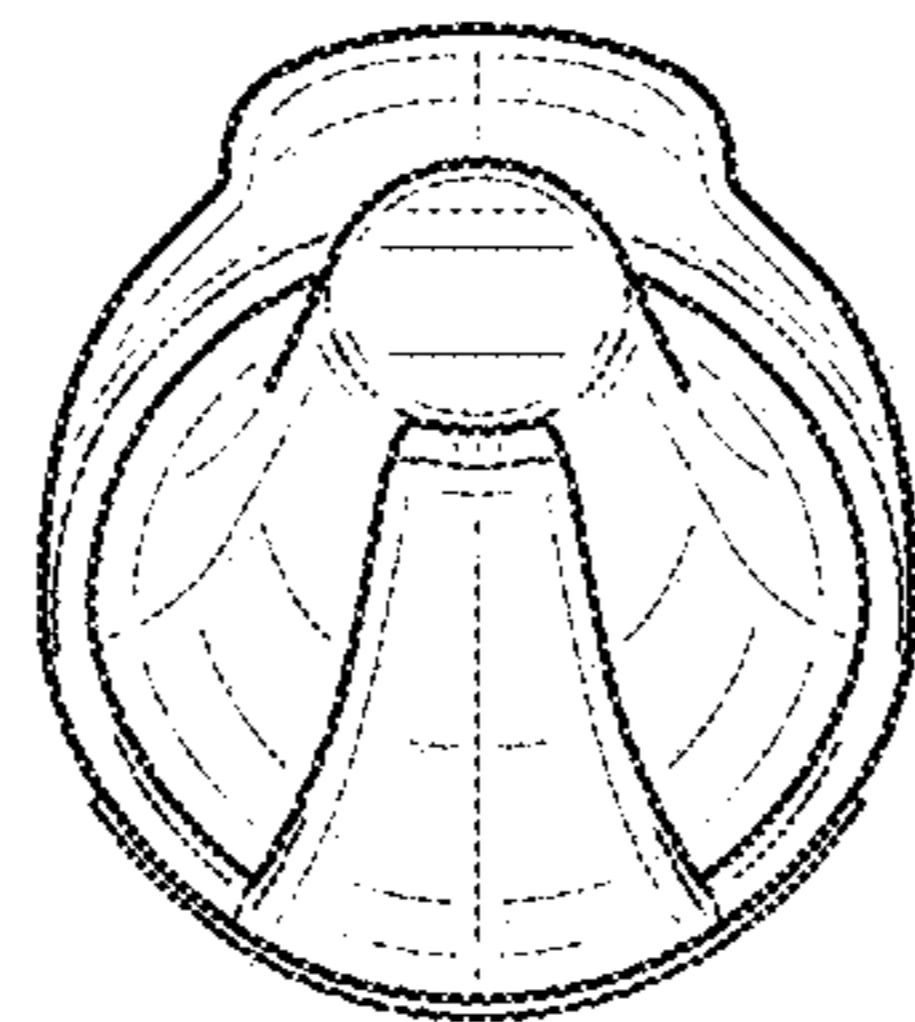


FIG. 9