



US00D918464S

(12) **United States Design Patent**  
**Luo**

(10) **Patent No.:** **US D918,464 S**  
(45) **Date of Patent:** **\*\* May 4, 2021**

- (54) **STARRY SKY PROJECTOR**
- (71) Applicant: **Chenghua Luo**, Ganzhou (CN)
- (72) Inventor: **Chenghua Luo**, Ganzhou (CN)
- (\*\*) Term: **15 Years**
- (21) Appl. No.: **29/747,881**
- (22) Filed: **Aug. 26, 2020**
- (51) **LOC (13) Cl.** ..... **26-03**
- (52) **U.S. Cl.**  
USPC ..... **D26/106**
- (58) **Field of Classification Search**  
USPC ..... D26/93, 104, 106, 110, 112; D16/221  
CPC ..... F21V 3/00; F21V 5/007; F21W 2121/00;  
F21W 2131/30; F21S 6/00; F21S 10/00;  
F21S 10/06  
See application file for complete search history.

8,496,337 B2 \* 7/2013 Li ..... G03B 21/145  
353/119  
D805,679 S \* 12/2017 Sawitz ..... D26/106  
D821,633 S \* 6/2018 Yang ..... D26/106  
D861,967 S 10/2019 Lin  
D908,932 S \* 1/2021 Richardson ..... D26/24

\* cited by examiner

*Primary Examiner* — Brian N. Vinson  
(74) *Attorney, Agent, or Firm* — Justin Lampel

(57) **CLAIM**

The ornamental design for a starry sky projector, as shown and described.

**DESCRIPTION**

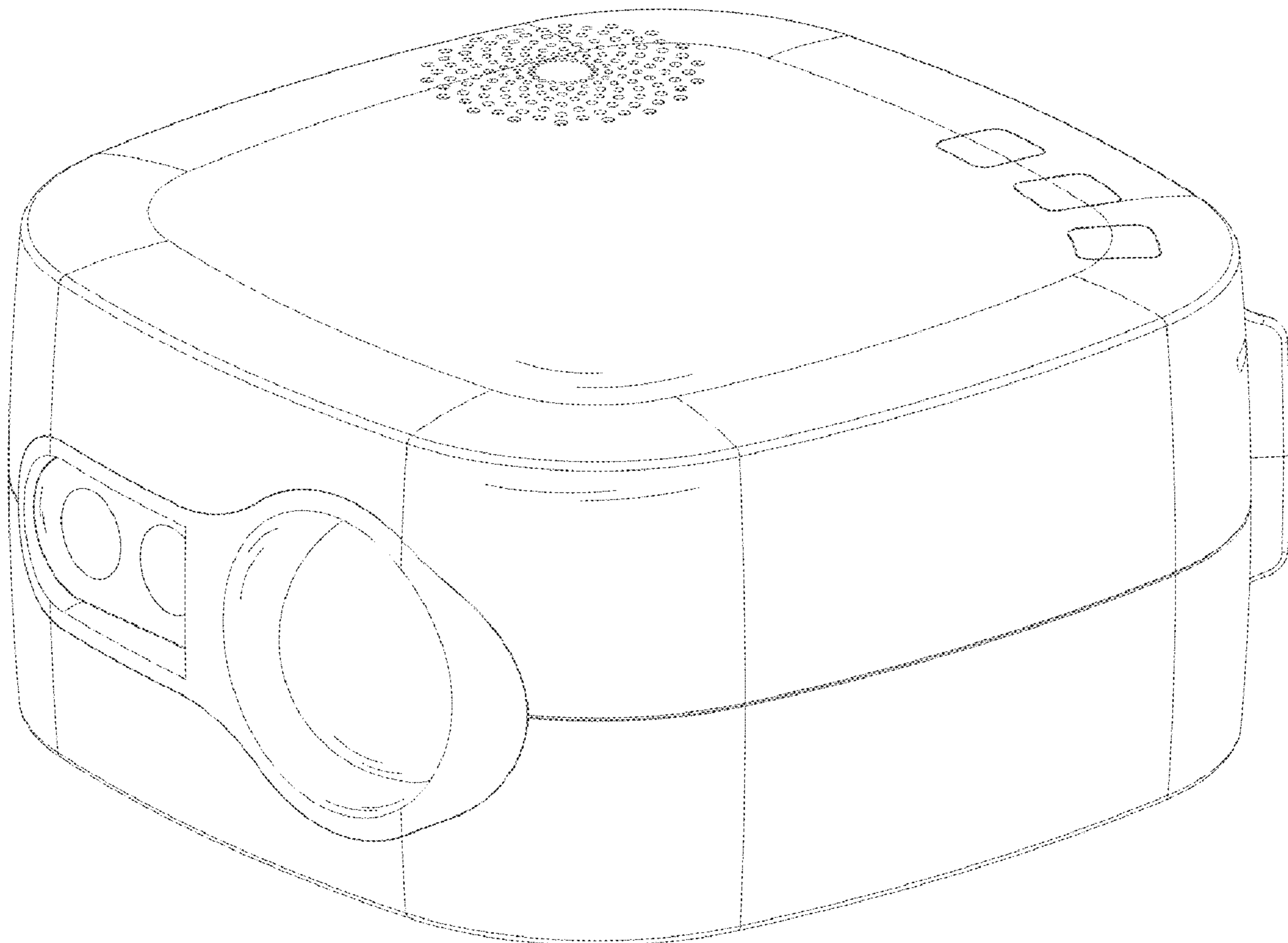
FIG. 1 is a perspective view of a starry sky projector showing the claimed design;  
FIG. 2 is a top plan view thereof;  
FIG. 3 is a rear elevational view thereof;  
FIG. 4 is a bottom plan view thereof;  
FIG. 5 is a right side view thereof;  
FIG. 6 is a front elevational view thereof; and,  
FIG. 7 is a left side view thereof.

(56) **References Cited**

U.S. PATENT DOCUMENTS

D206,610 S \* 1/1967 Klausen ..... D26/104  
D474,301 S \* 5/2003 Seal ..... D26/93

**1 Claim, 7 Drawing Sheets**



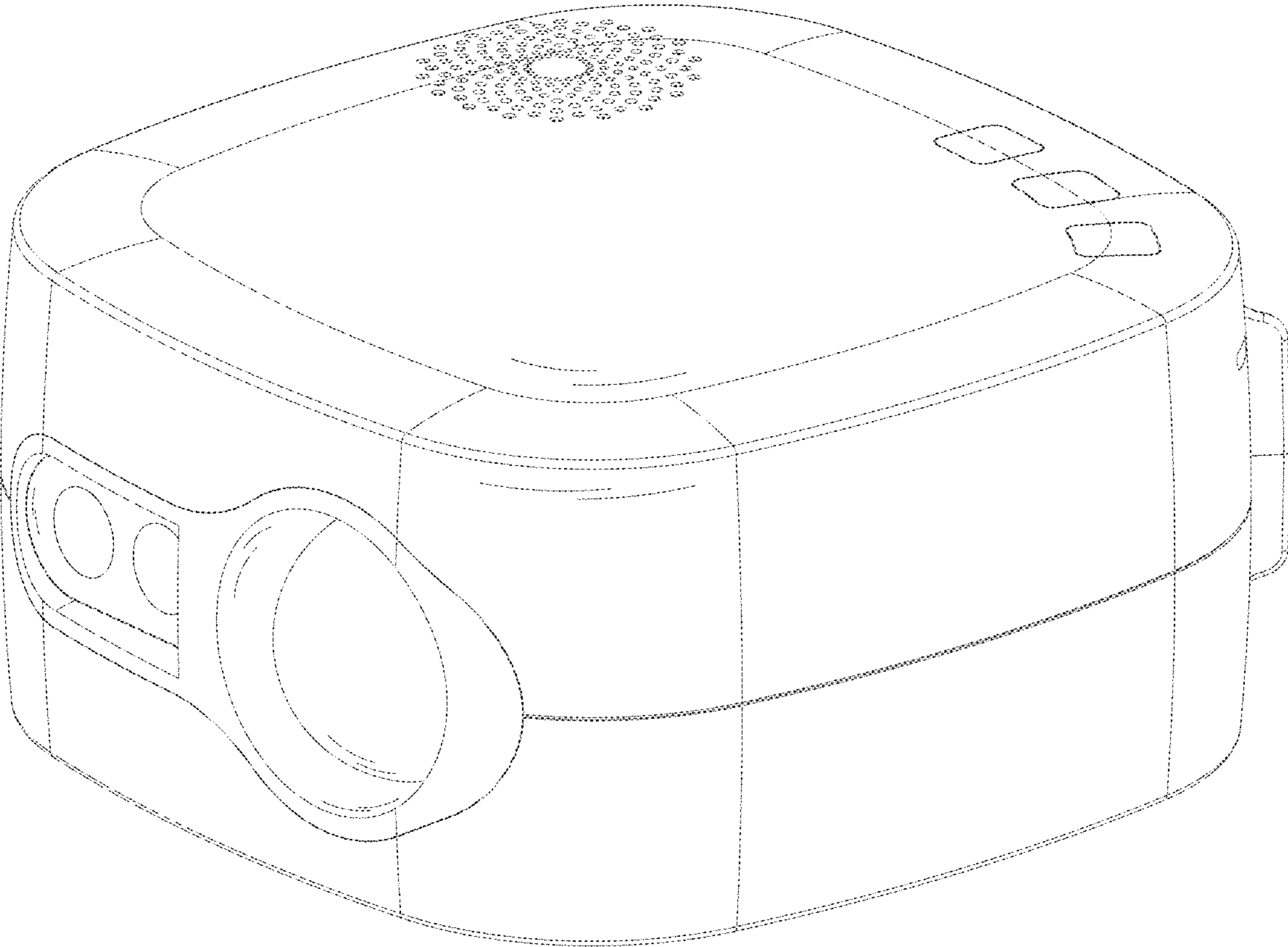


FIG.1

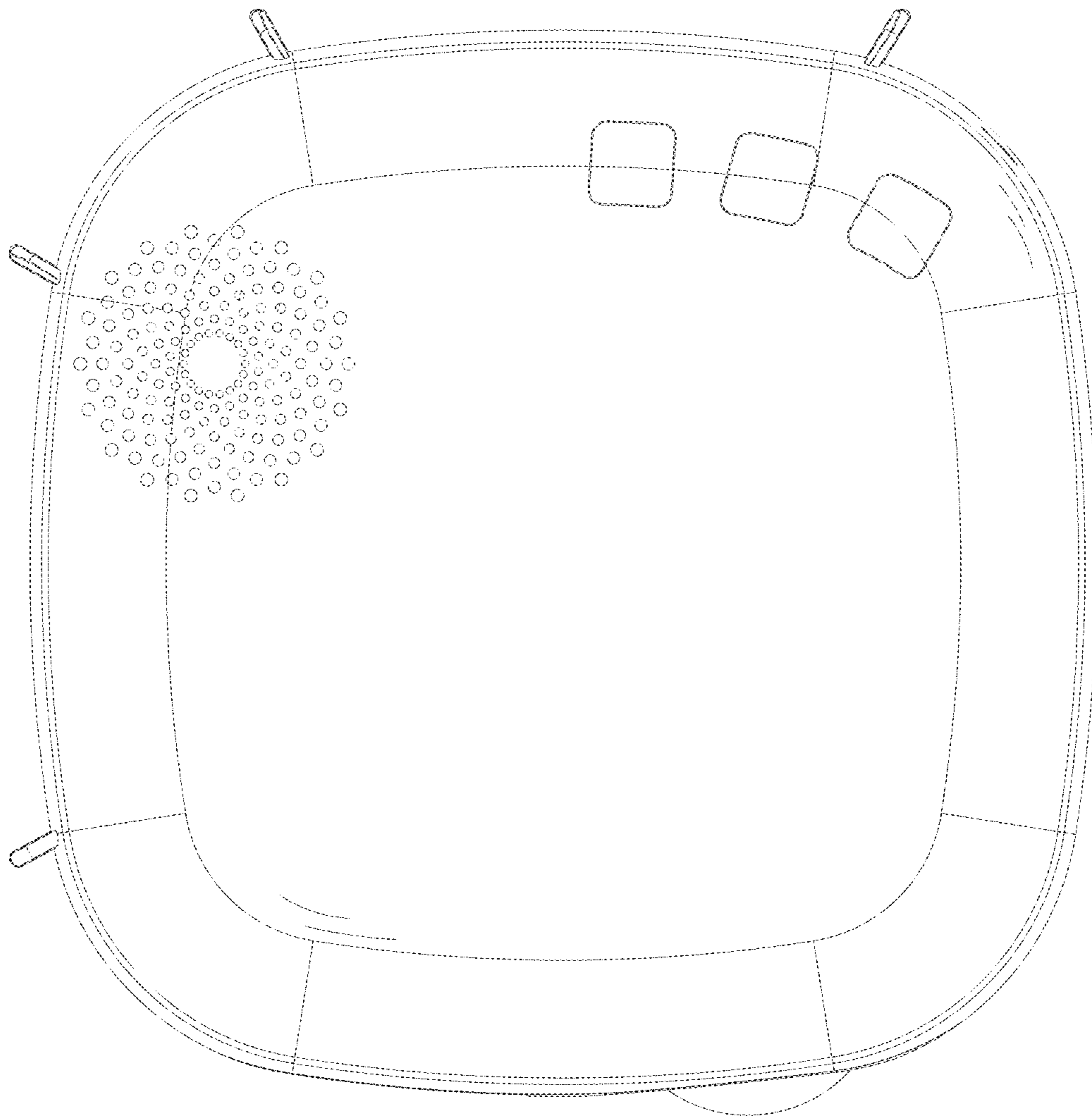


FIG. 2

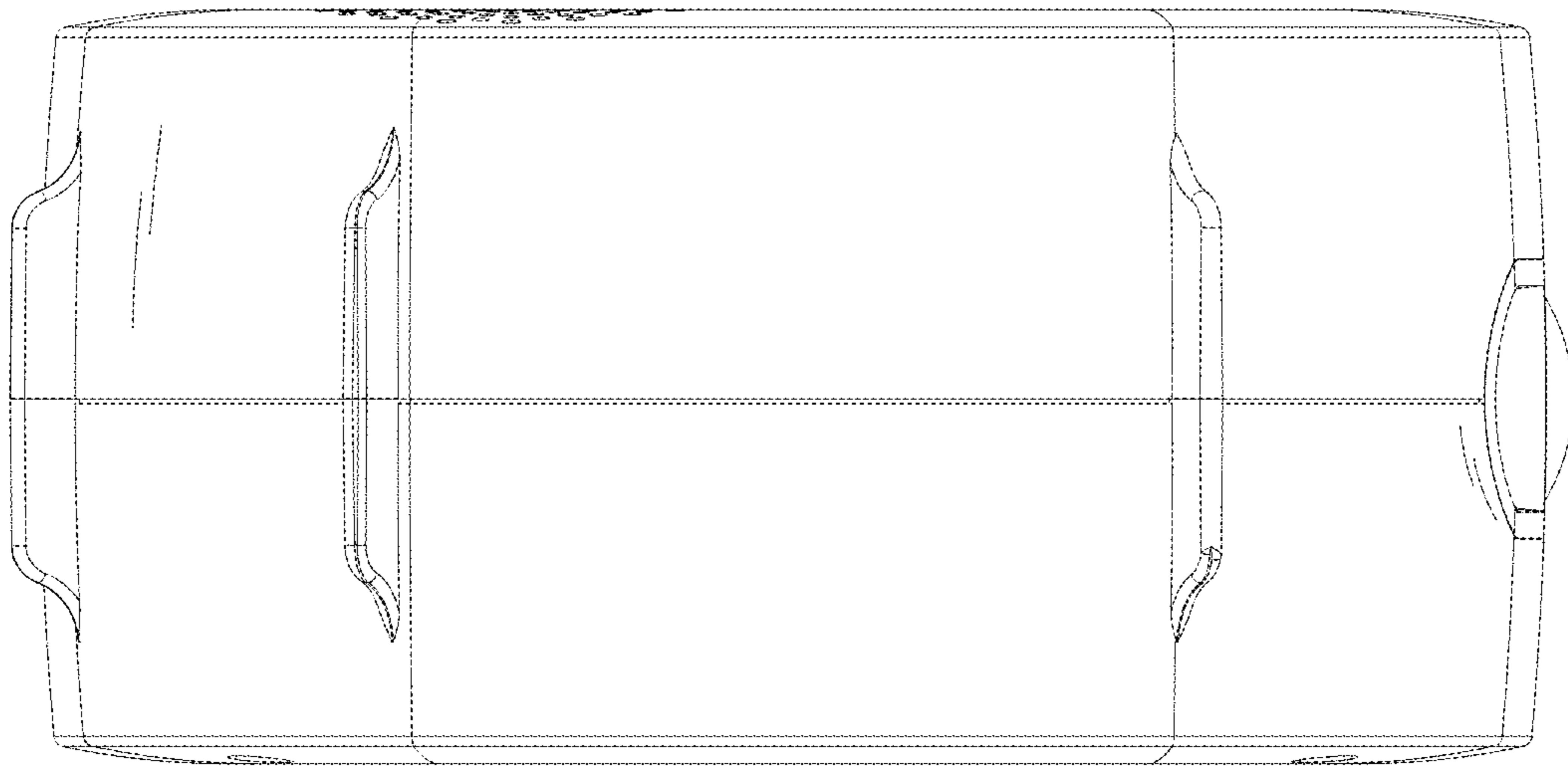


FIG.3

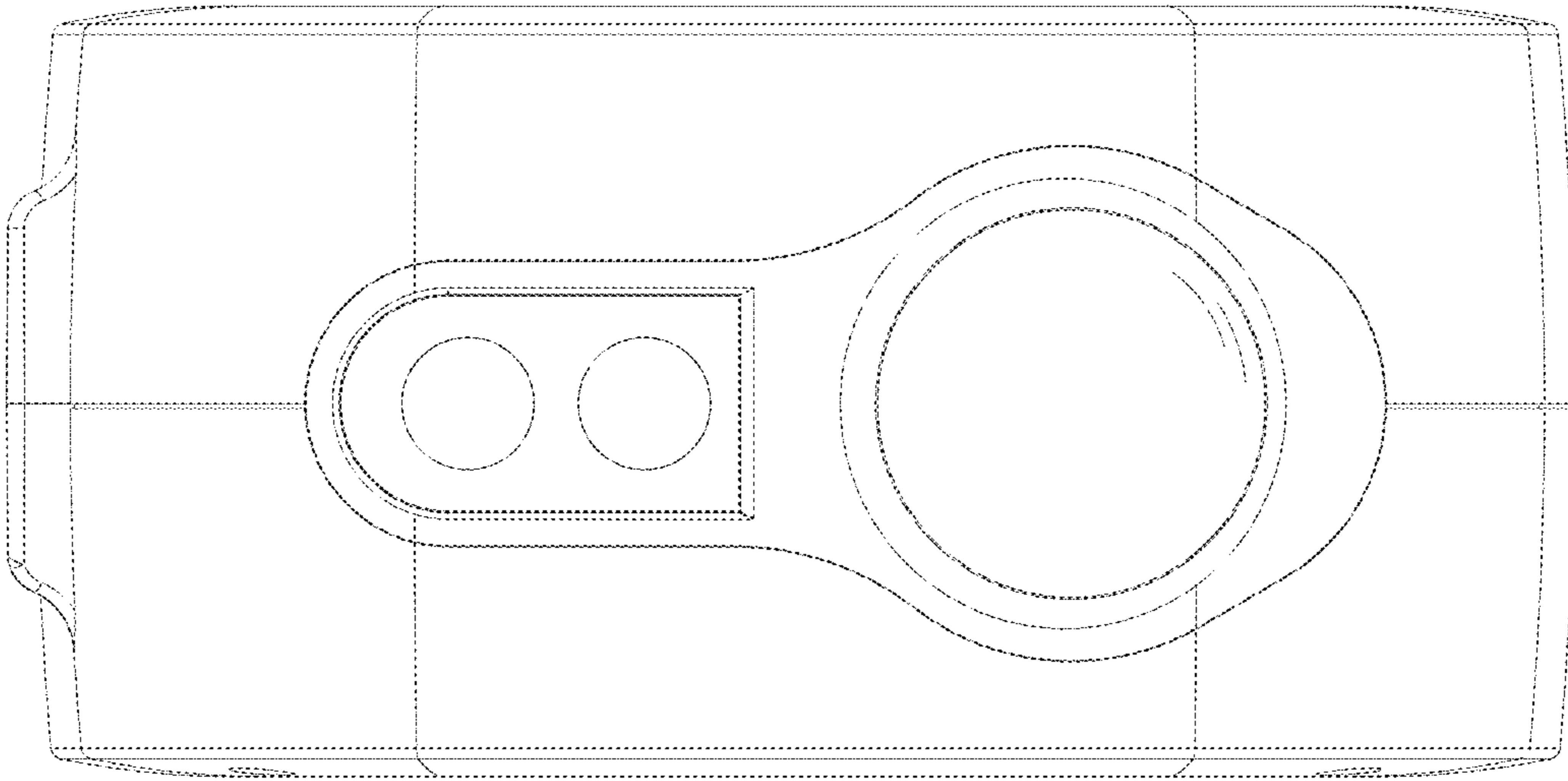


FIG. 4

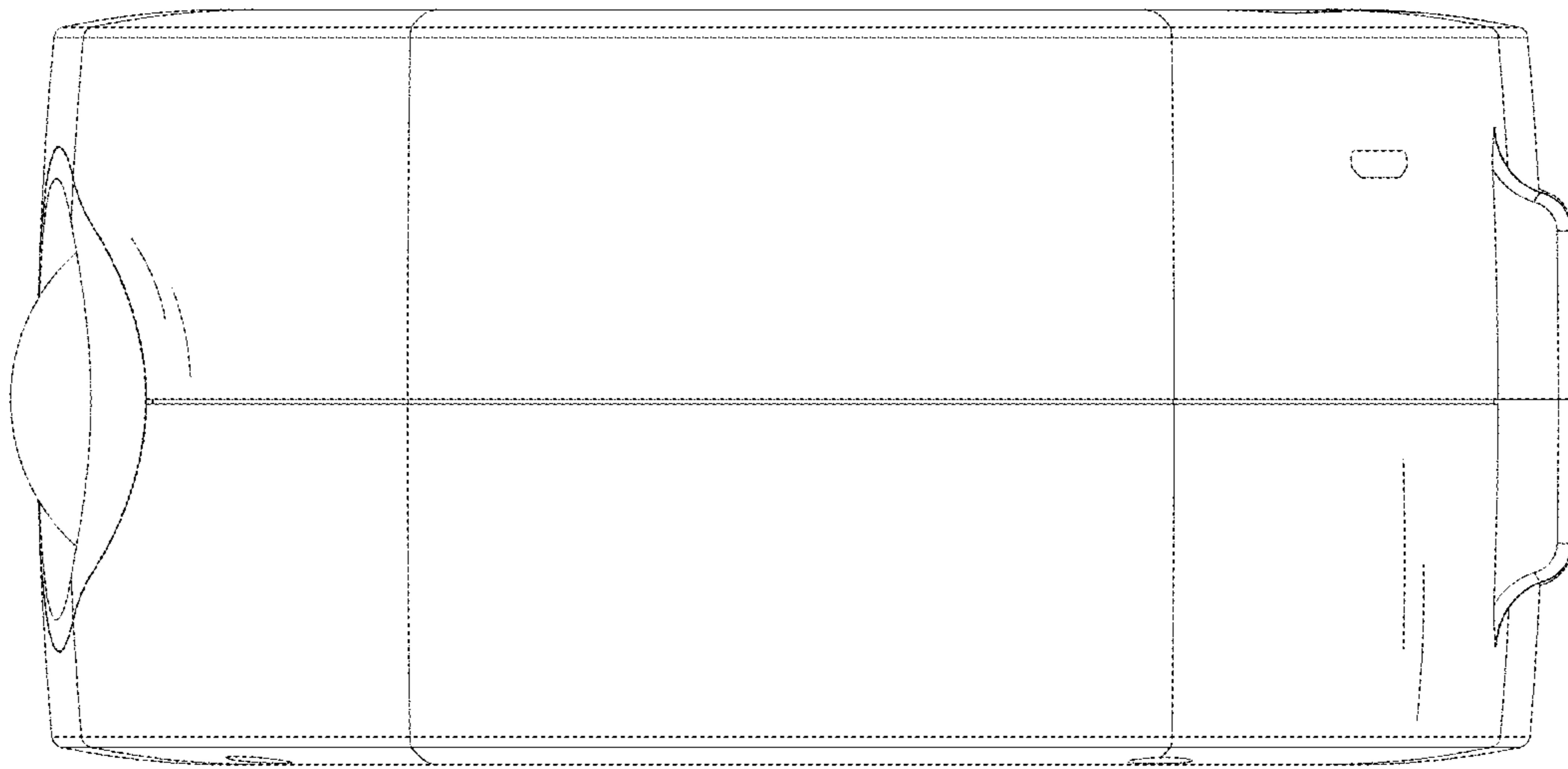


FIG. 5

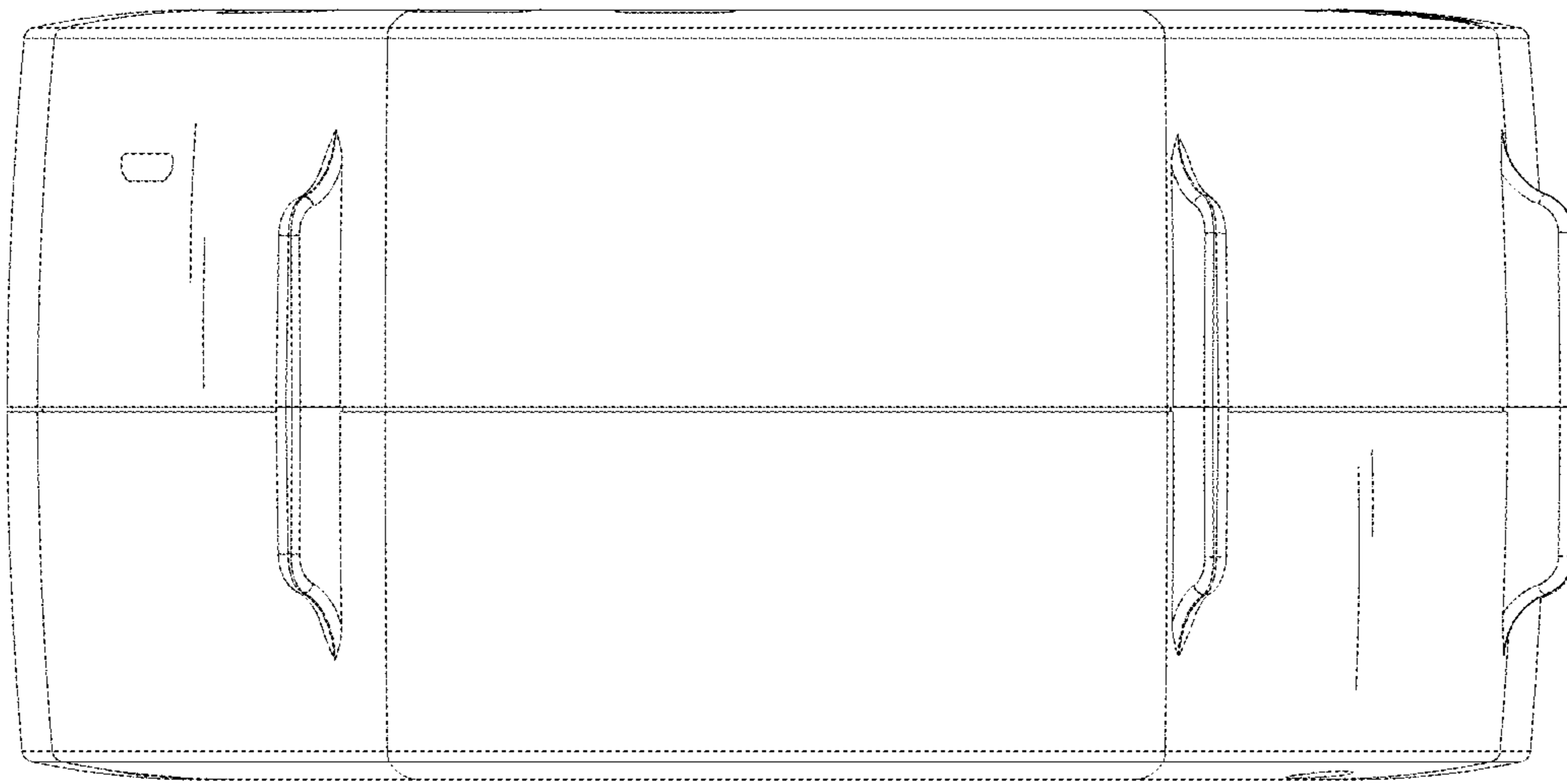


FIG.6

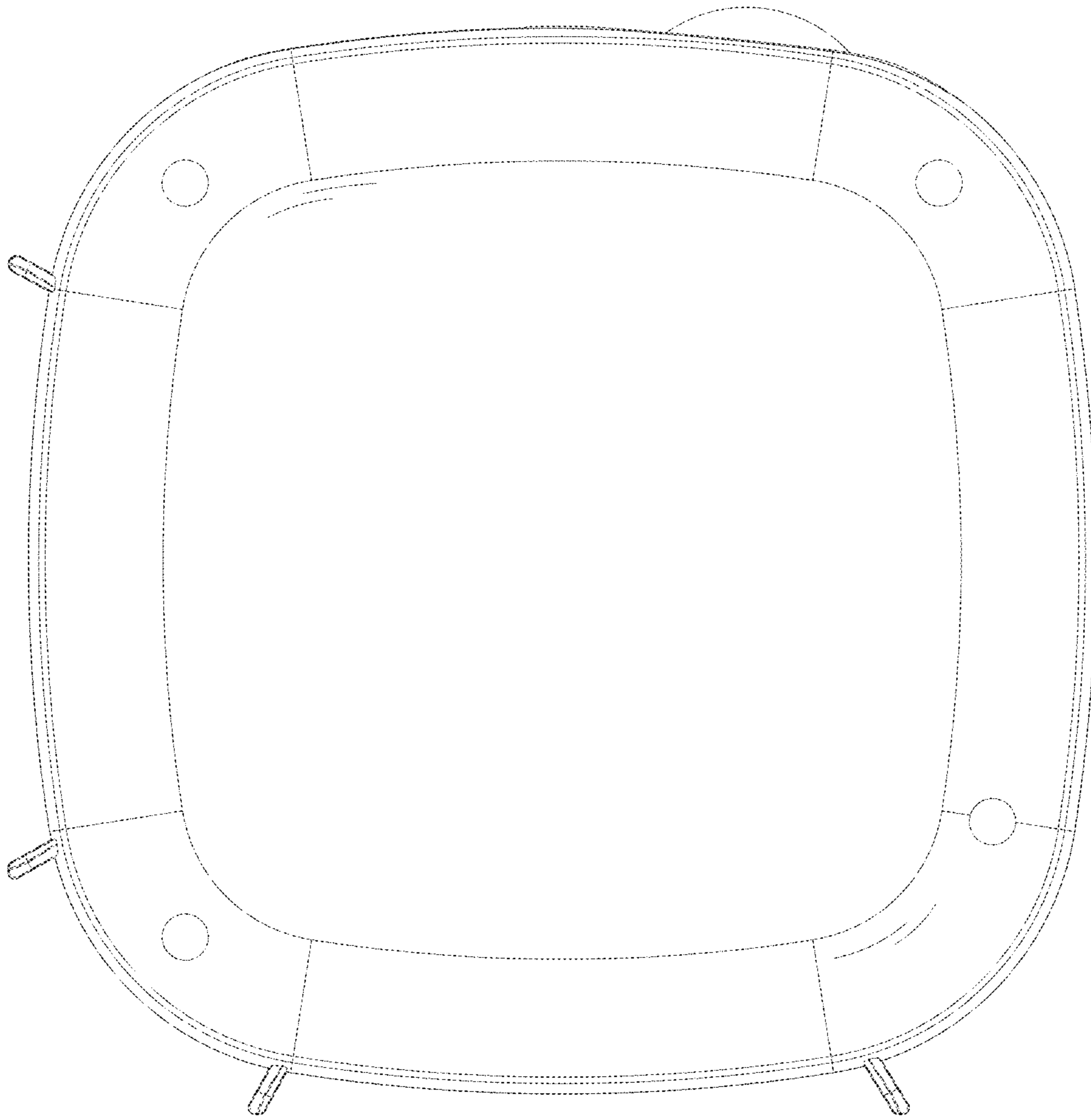


FIG.7