



US00D918463S

(12) **United States Design Patent** (10) **Patent No.:** **US D918,463 S**
Rodgers (45) **Date of Patent:** **** May 4, 2021**

(54) **DESK LAMP**

(71) Applicant: **William D. Rodgers**, Brooklyn, NY
(US)

(72) Inventor: **William D. Rodgers**, Brooklyn, NY
(US)

(**) Term: **15 Years**

(21) Appl. No.: **29/704,242**

(22) Filed: **Sep. 3, 2019**

(51) **LOC (13) Cl.** **26-05**

(52) **U.S. Cl.**
USPC **D26/94**

(58) **Field of Classification Search**
USPC D26/1, 4, 8, 14, 24, 37, 47, 51, 86, 87,
D26/93, 94, 95, 97, 103-107, 110-112;
D21/300, 398; D11/95, 96
CPC F21S 6/00; F21S 6/002; F21V 3/00; F21V
3/02; F21V 21/02; F21V 1/12; F21V
1/18; F21V 1/22; F21L 4/00; F21L 4/08;
F21W 2131/20
See application file for complete search history.

(56) **References Cited**

U.S. PATENT DOCUMENTS

D171,541 S * 2/1954 Hailey D99/27
D293,028 S * 12/1987 Yother D26/51

D338,081 S * 8/1993 Klaffer D26/94
5,255,170 A * 10/1993 Plamp H05B 47/11
362/183
D370,282 S * 5/1996 Grether D11/122
D456,556 S * 4/2002 Pahl D26/94
RE45,622 E * 7/2015 Kroll D6/674
D785,849 S * 5/2017 Sites D26/94
D830,663 S * 10/2018 Singh D99/17

* cited by examiner

Primary Examiner — Wan Laymon
Assistant Examiner — Clint A Samuel

(57) **CLAIM**

The ornamental design for a desk lamp, as shown and described.

DESCRIPTION

FIG. 1 is a front view of a desk lamp showing my new design;
FIG. 2 is a rear view of the desk lamp;
FIG. 3 is a right side view of the desk lamp;
FIG. 4 is a left side view of the desk lamp;
FIG. 5 is a top view of the desk lamp;
FIG. 6 is a bottom view of the desk lamp; and,
FIG. 7 is a top front side perspective view of the desk lamp.

1 Claim, 7 Drawing Sheets

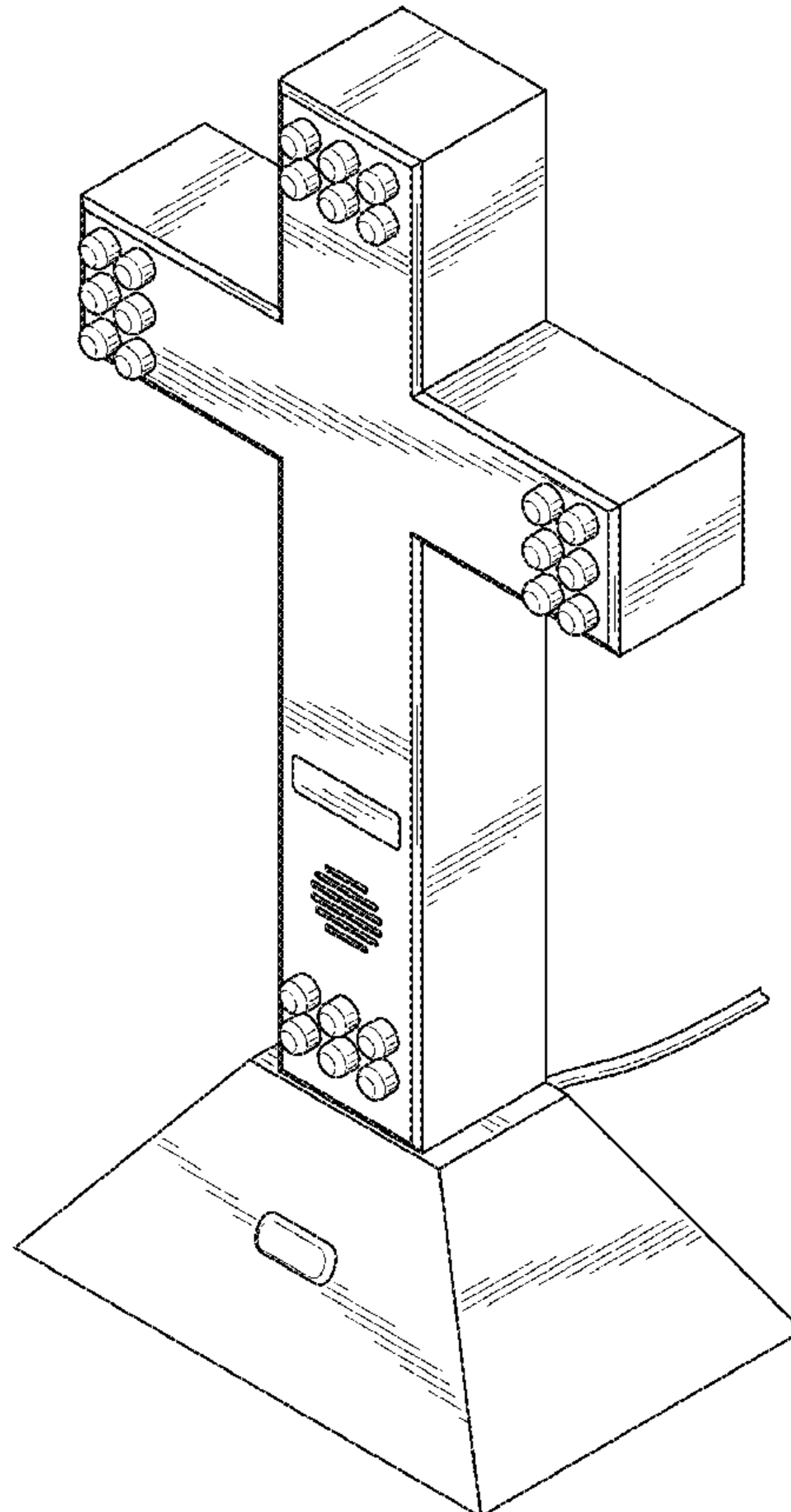


FIG. 1

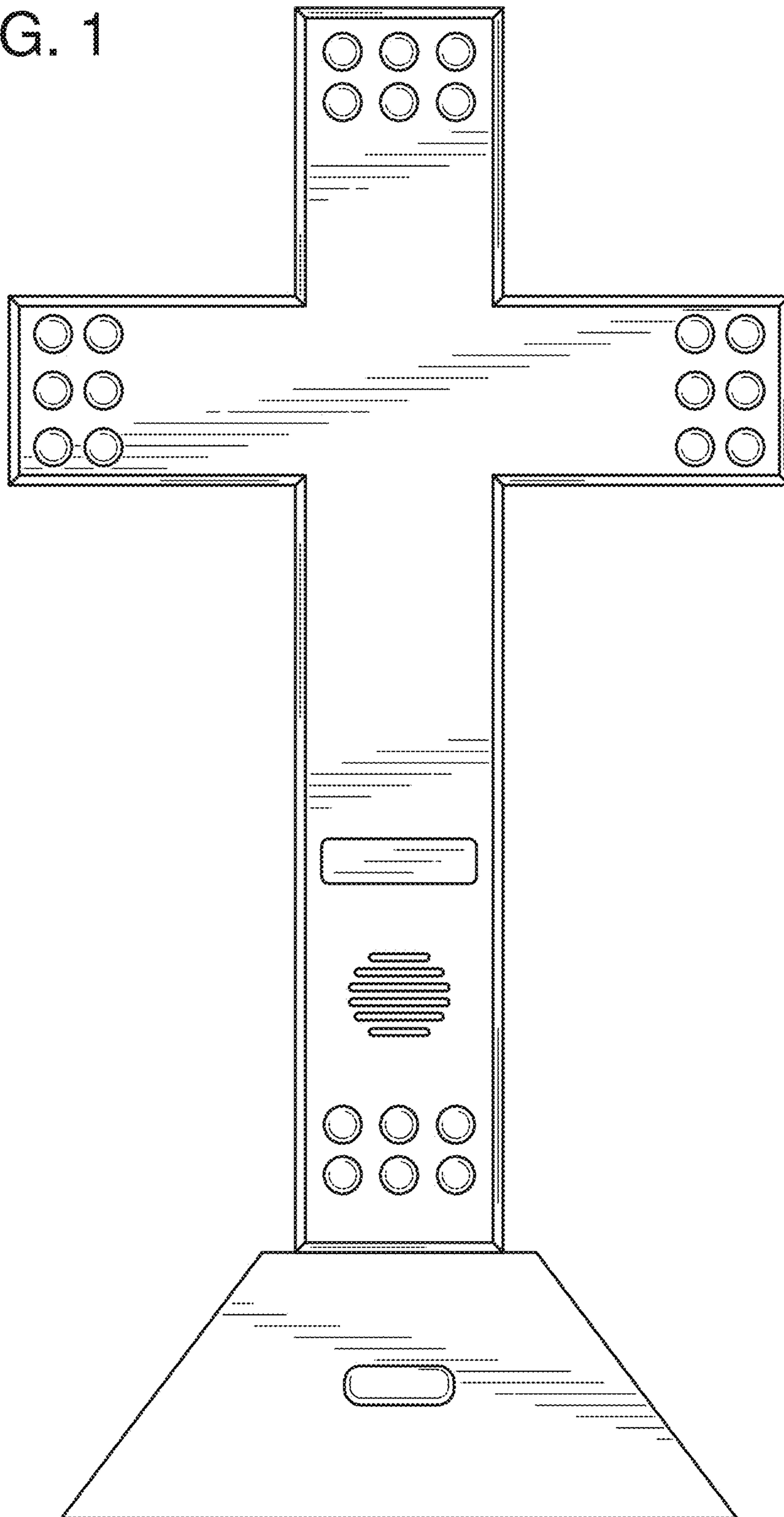


FIG. 2

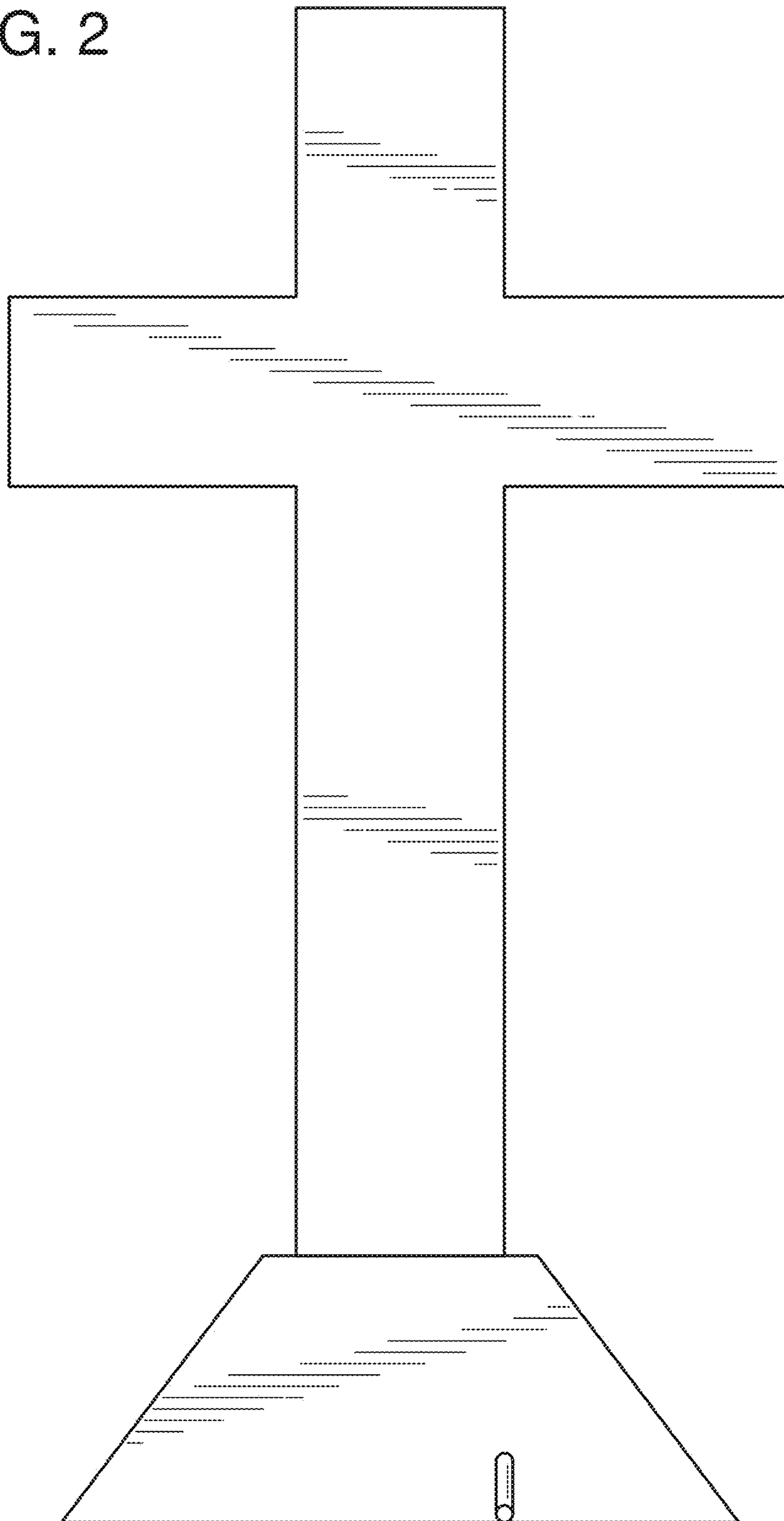


FIG. 3

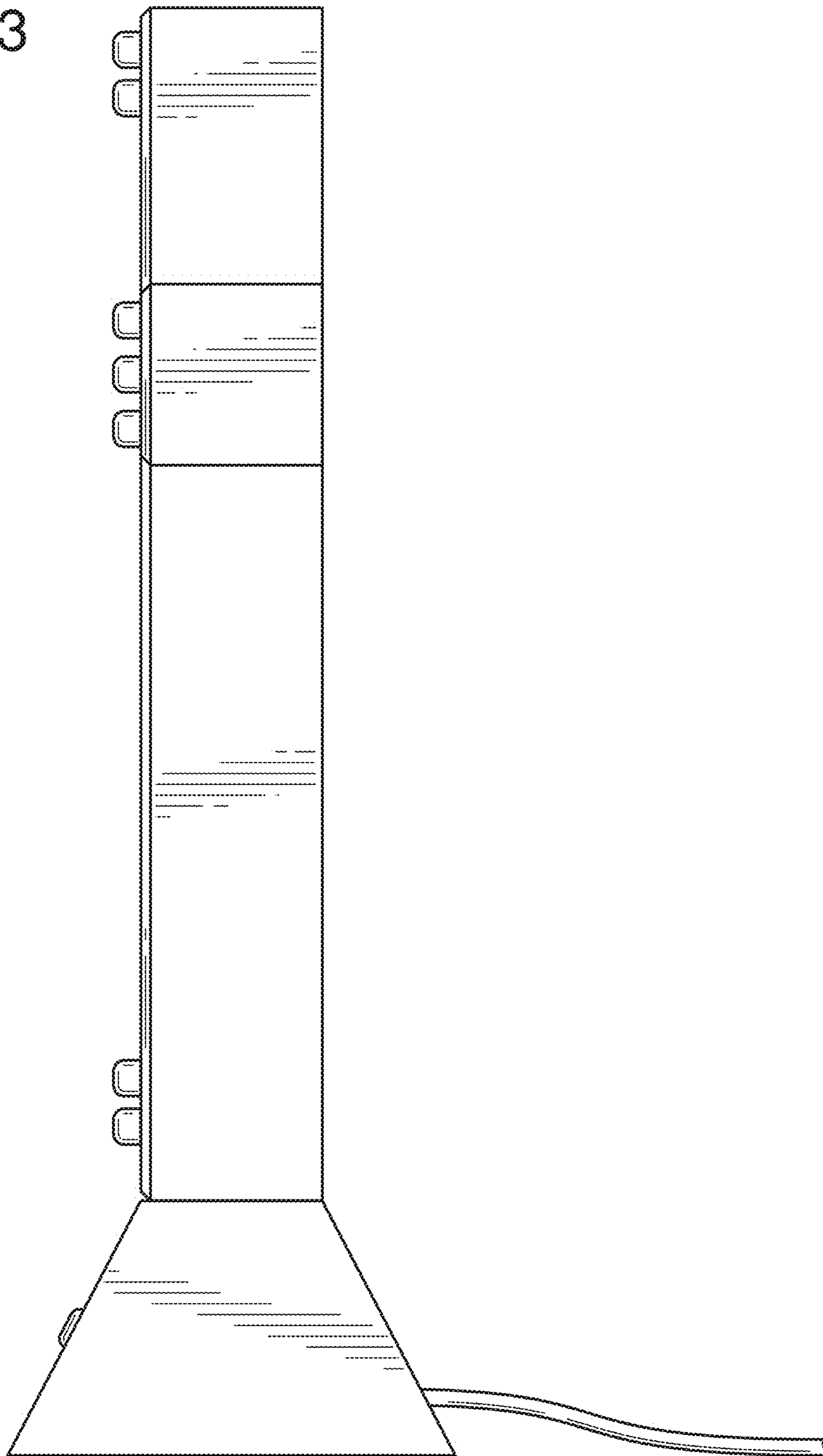
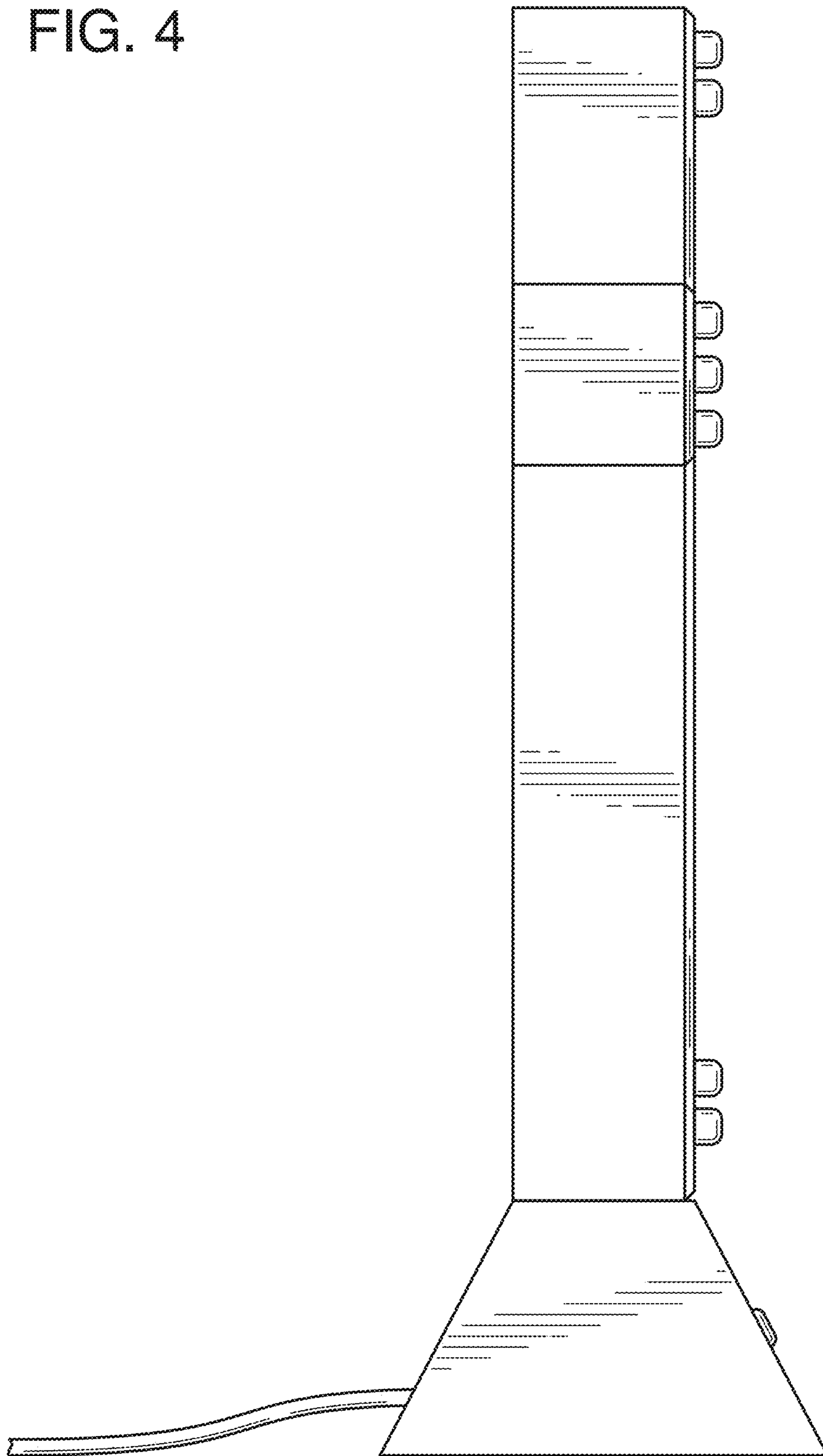


FIG. 4



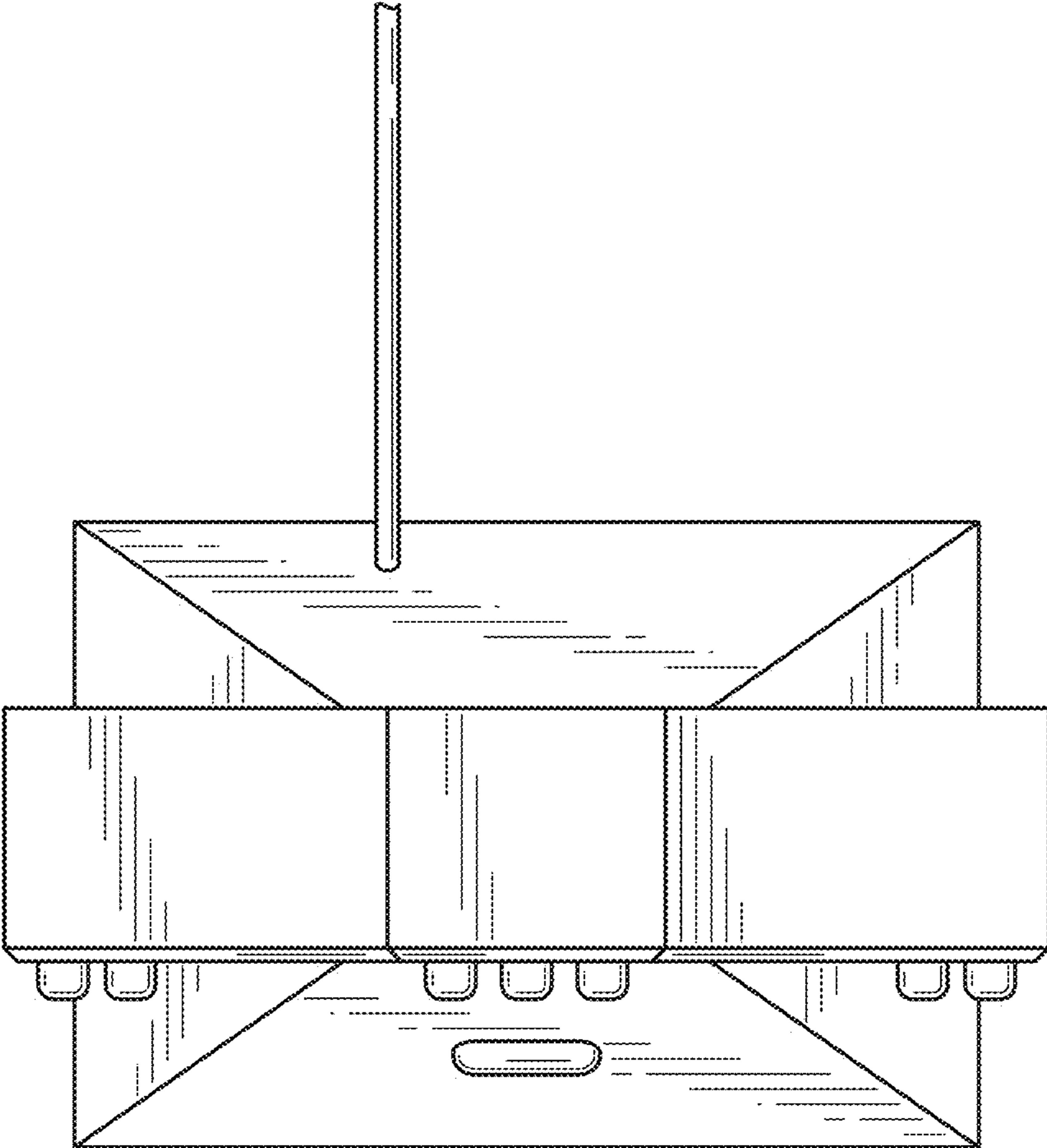


FIG. 5

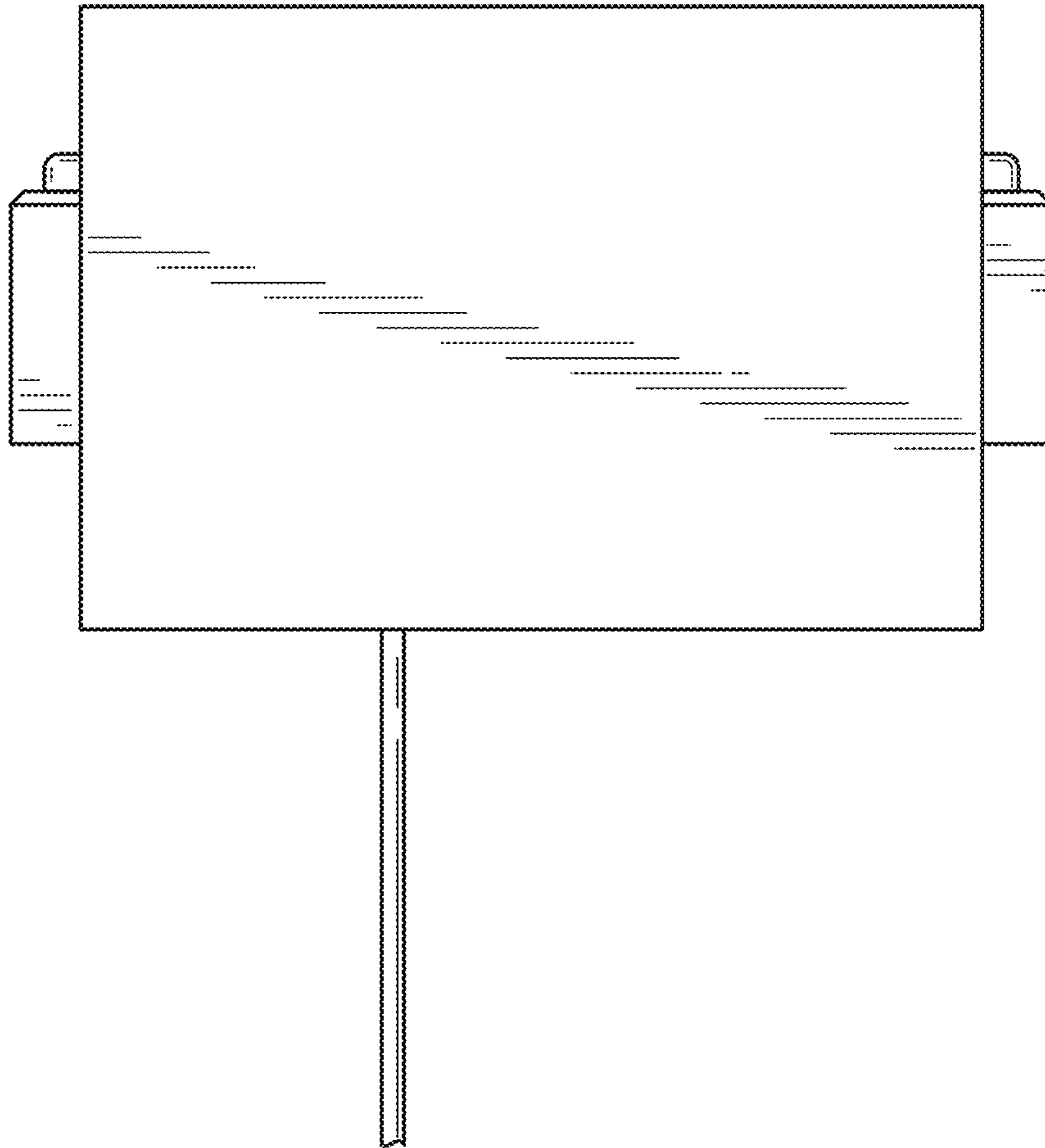


FIG. 6

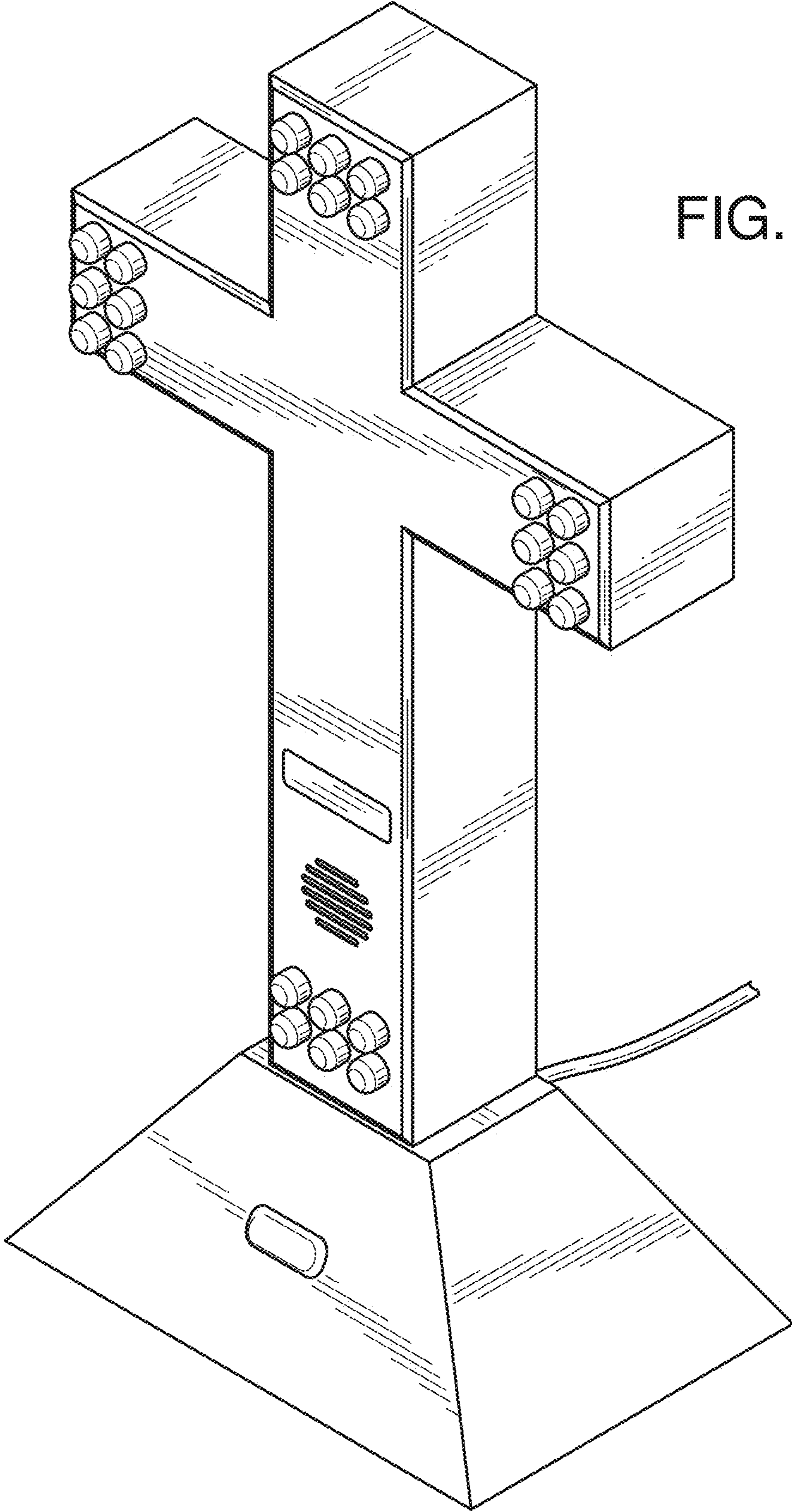


FIG. 7