



US00D918460S

(12) **United States Design Patent**
Yuan et al.

(10) **Patent No.:** **US D918,460 S**

(45) **Date of Patent:** **** May 4, 2021**

(54) **LAMP**

(71) Applicant: **ZHONGSHAN CITY KINGLONG LIGHTING FACTORY CO., LTD,**
Guangdong (CN)

(72) Inventors: **Shiqiang Yuan,** Guangdong (CN);
Shujin Yuan, Guangdong (CN);
Shilong Yuan, Guangdong (CN)

(73) Assignee: **ZHONGSHAN CITY KINGLONG LIGHTING FACTORY CO., LTD,**
Zhongshan (CN)

(**) Term: **15 Years**

(21) Appl. No.: **29/703,337**

(22) Filed: **Aug. 27, 2019**

(51) **LOC (13) Cl.** **26-03**

(52) **U.S. Cl.**
USPC **D26/88**

(58) **Field of Classification Search**
USPC D26/80-86, 88, 90, 91
CPC F21S 8/06; F21S 8/061; F21S 8/063; F21S 8/065; F21S 8/066; F21S 8/068
See application file for complete search history.

(56) **References Cited**

U.S. PATENT DOCUMENTS

D90,938 S *	10/1933	Beck	D26/88
5,532,912 A *	7/1996	Bendit	F21V 1/00 362/352
D536,468 S *	2/2007	Crosby	D26/84
D668,371 S *	10/2012	Alpaslan	D26/72
D672,493 S *	12/2012	Lee	D26/88
D698,983 S *	2/2014	Rampolla	D26/90
D728,145 S *	4/2015	Shiqiang	D26/88
D768,905 S *	10/2016	Sonneman	D26/88
D774,239 S *	12/2016	Pardo	D26/106
D783,197 S *	4/2017	Arndt	D26/90

D786,481 S *	5/2017	Wiedemer	D26/81
D835,328 S *	12/2018	Silver	D26/90
D892,384 S *	8/2020	Keim	D26/88
D898,979 S *	10/2020	Silver	D26/88
2009/0213581 A1 *	8/2009	Gauger	F21S 13/06 362/161
2014/0153257 A1 *	6/2014	Smith	F21V 1/14 362/355
2015/0338038 A1 *	11/2015	Feit	F21V 19/0045 362/147

(Continued)

OTHER PUBLICATIONS

Atria 1-Light Geometric Pendant by Vonn Lighting available at wayfair.com as early as Jan. 13, 2017. (Year: 2017).*

(Continued)

Primary Examiner — Clare E Heflin

(57) **CLAIM**

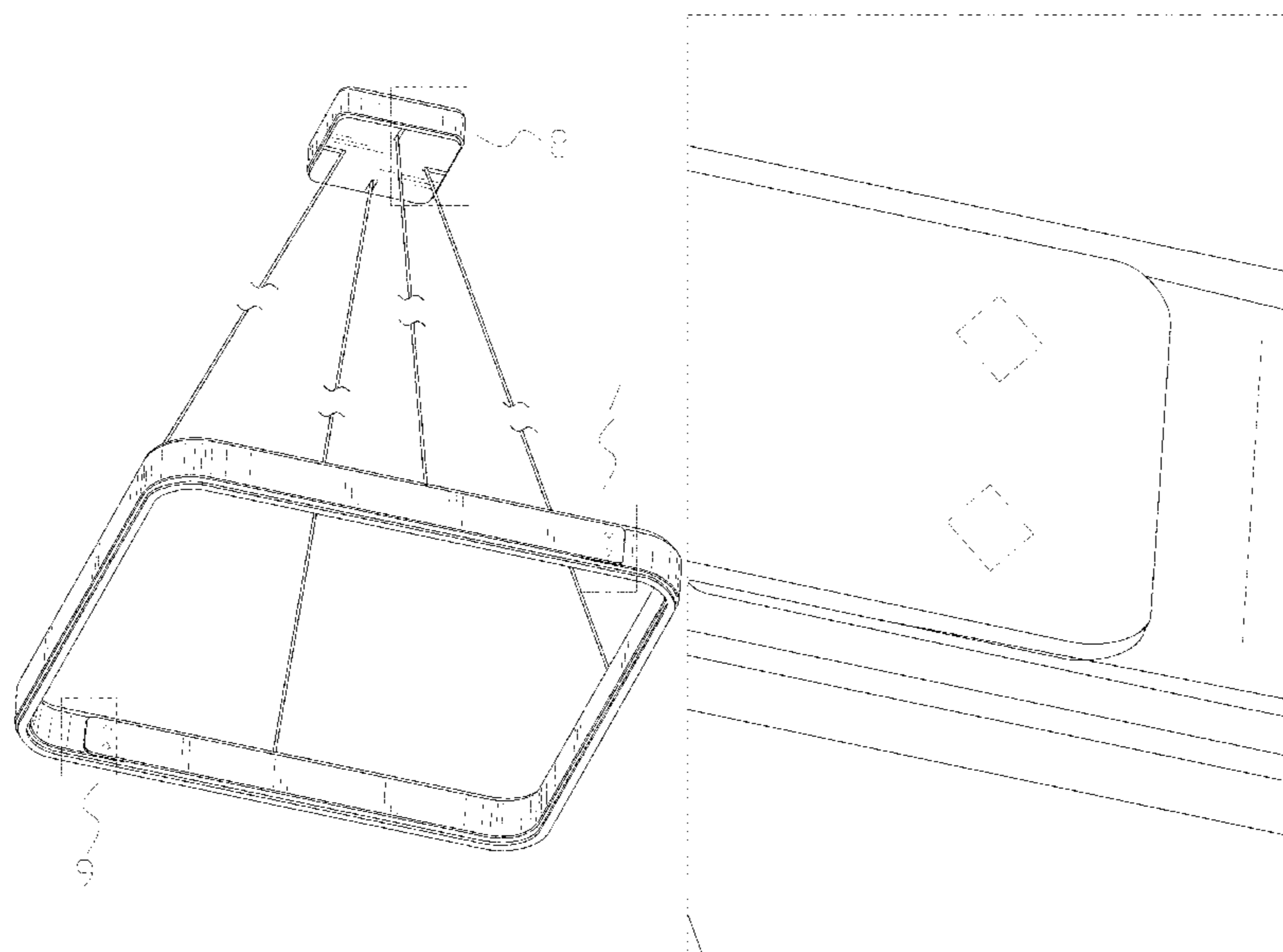
The ornamental design for a lamp, as shown and described.

DESCRIPTION

FIG. 1 is a bottom, front and left side perspective view of a lamp showing our new design;
 FIG. 2 is a front elevational view thereof;
 FIG. 3 is a rear elevational view thereof;
 FIG. 4 is a right side view thereof;
 FIG. 5 is a left side view thereof;
 FIG. 6 is a bottom plan view thereof;
 FIG. 7 is an enlarged view of portion 7 in FIG. 1;
 FIG. 8 is an enlarged view of portion 8 in FIG. 1; and,
 FIG. 9 is an enlarged view of portion 9 in FIG. 1.

The broken lines in the drawings illustrate portions of the lamp which form no part of the claimed design.
 The lamp is shown with a symbolic break in its length. The appearance of any portion of the article between the break lines forms no parts of the claimed design.

1 Claim, 9 Drawing Sheets



(56)

References Cited

U.S. PATENT DOCUMENTS

2016/0245488 A1* 8/2016 Clark F21S 2/00

OTHER PUBLICATIONS

Piazza LED Square Pendant by Kuzco Lighting available at lumens.com, visited Feb. 4, 2021 (Year: 2021).*

Ganeed Modern Chandelier available at amazon.com Jan. 2, 2020. (Year: 2020).*

SUNMOO Modern Led Pendant Light Square Led Chandelier available at amazon.com Nov. 10, 2020. (Year: 2020).*

* cited by examiner

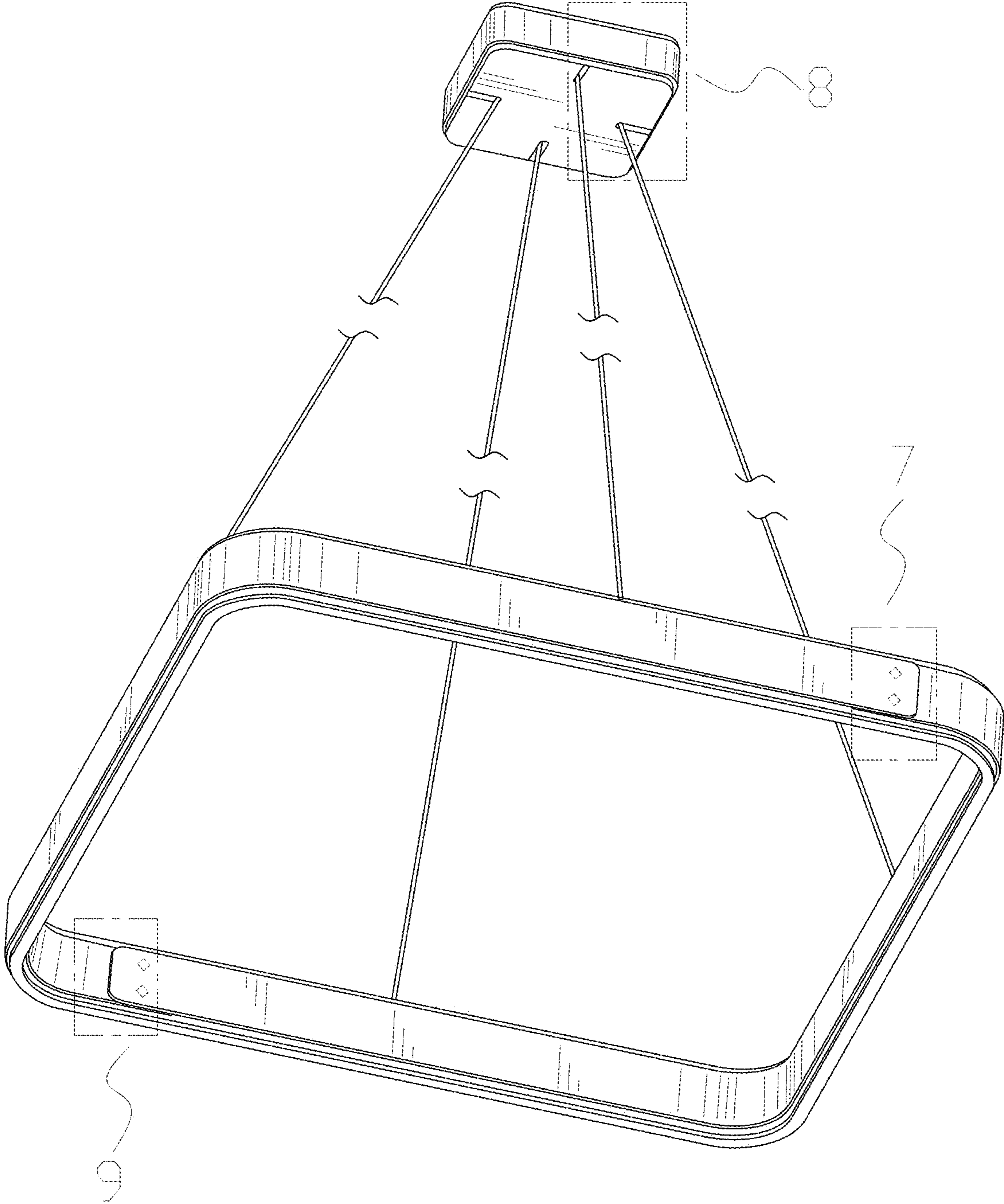


FIG. 1

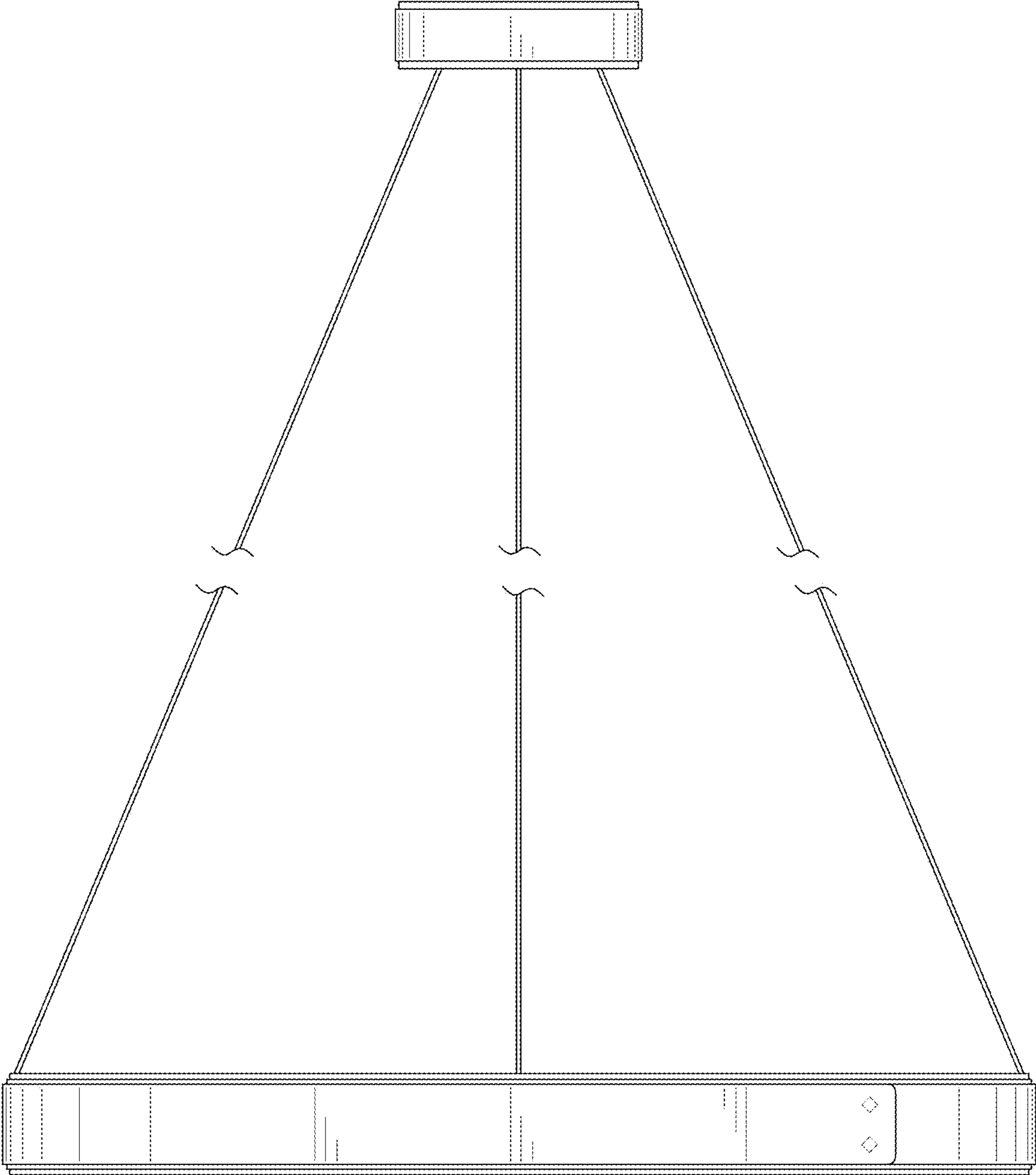


FIG. 2

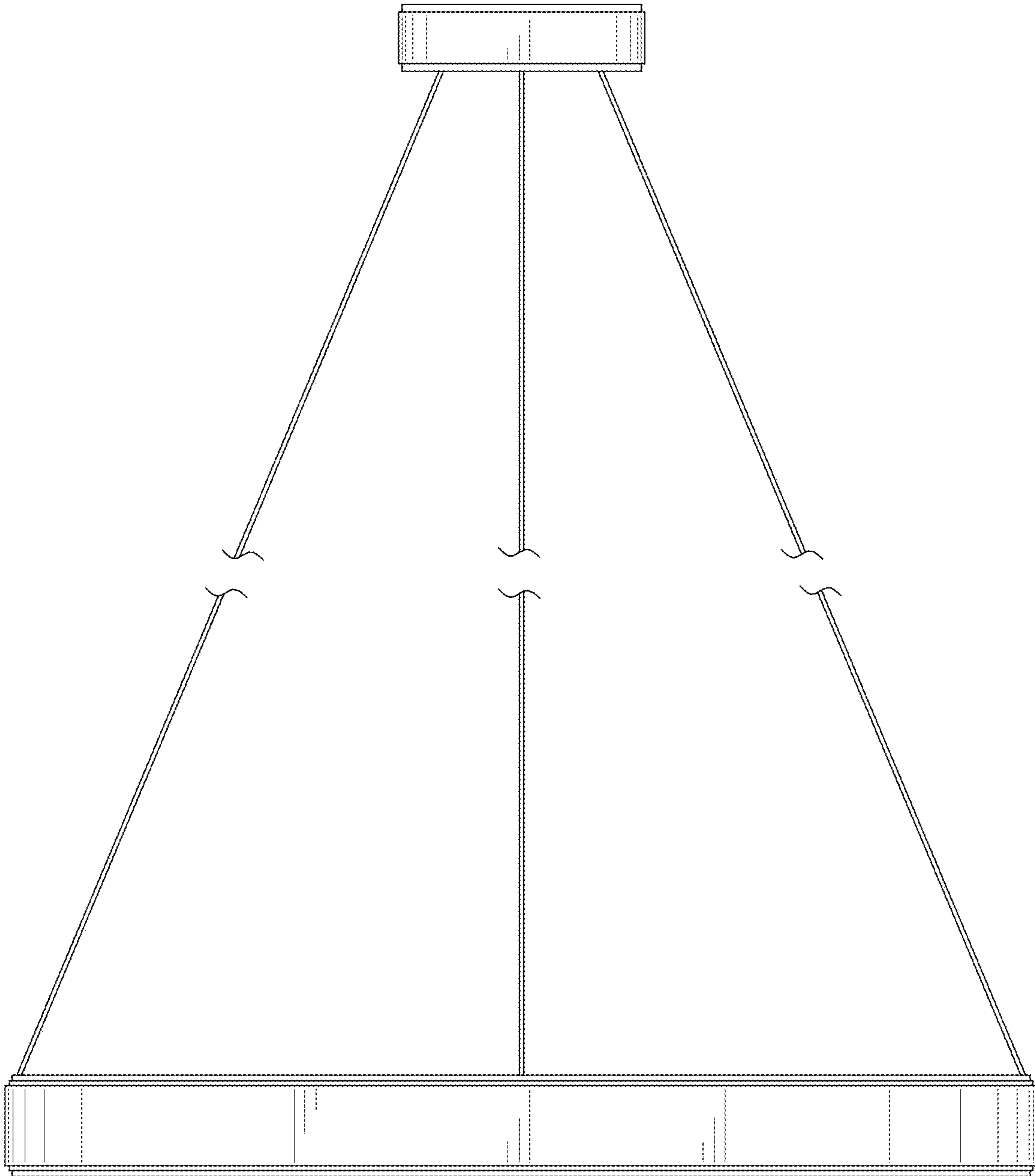


FIG. 3

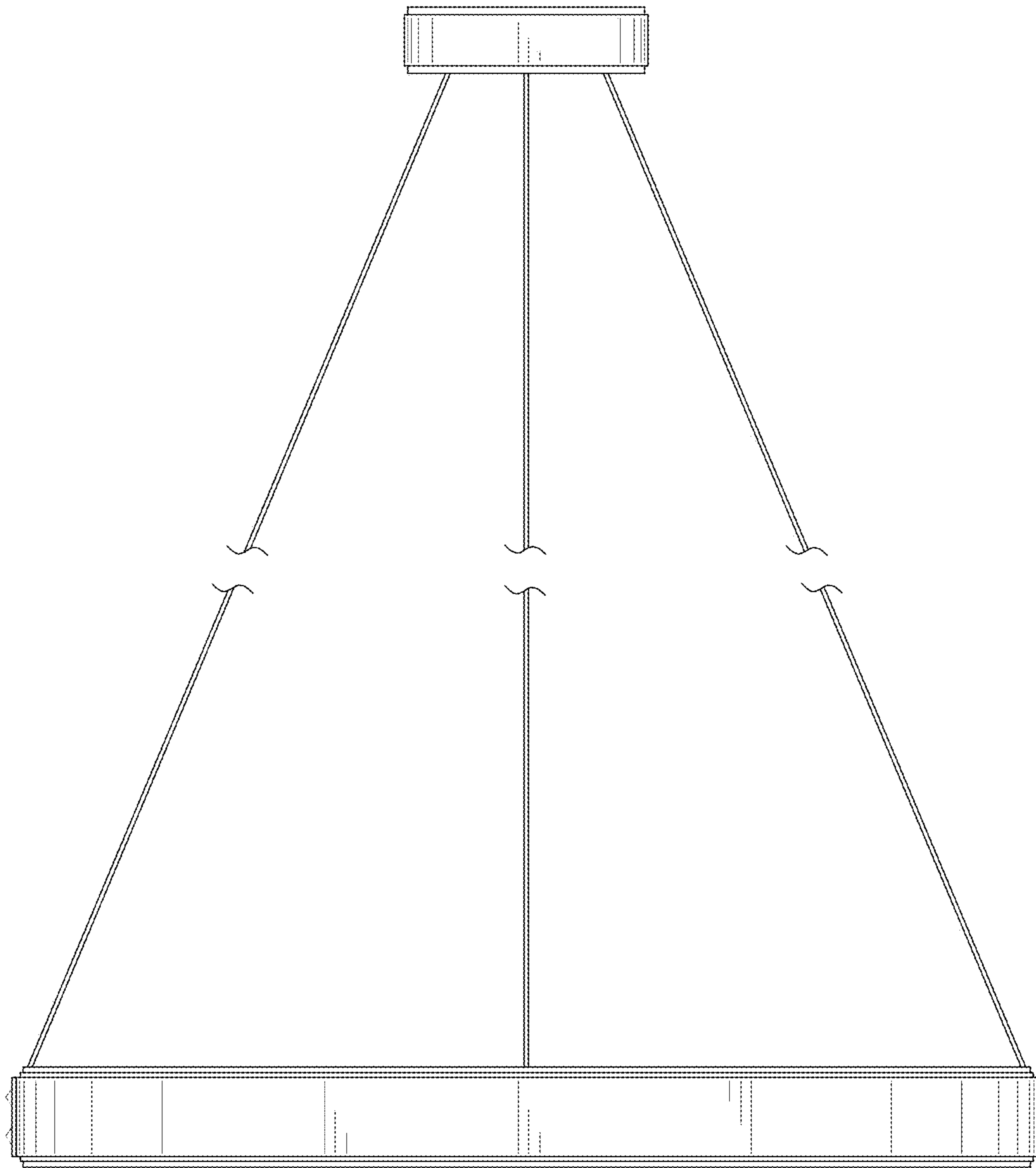


FIG. 4

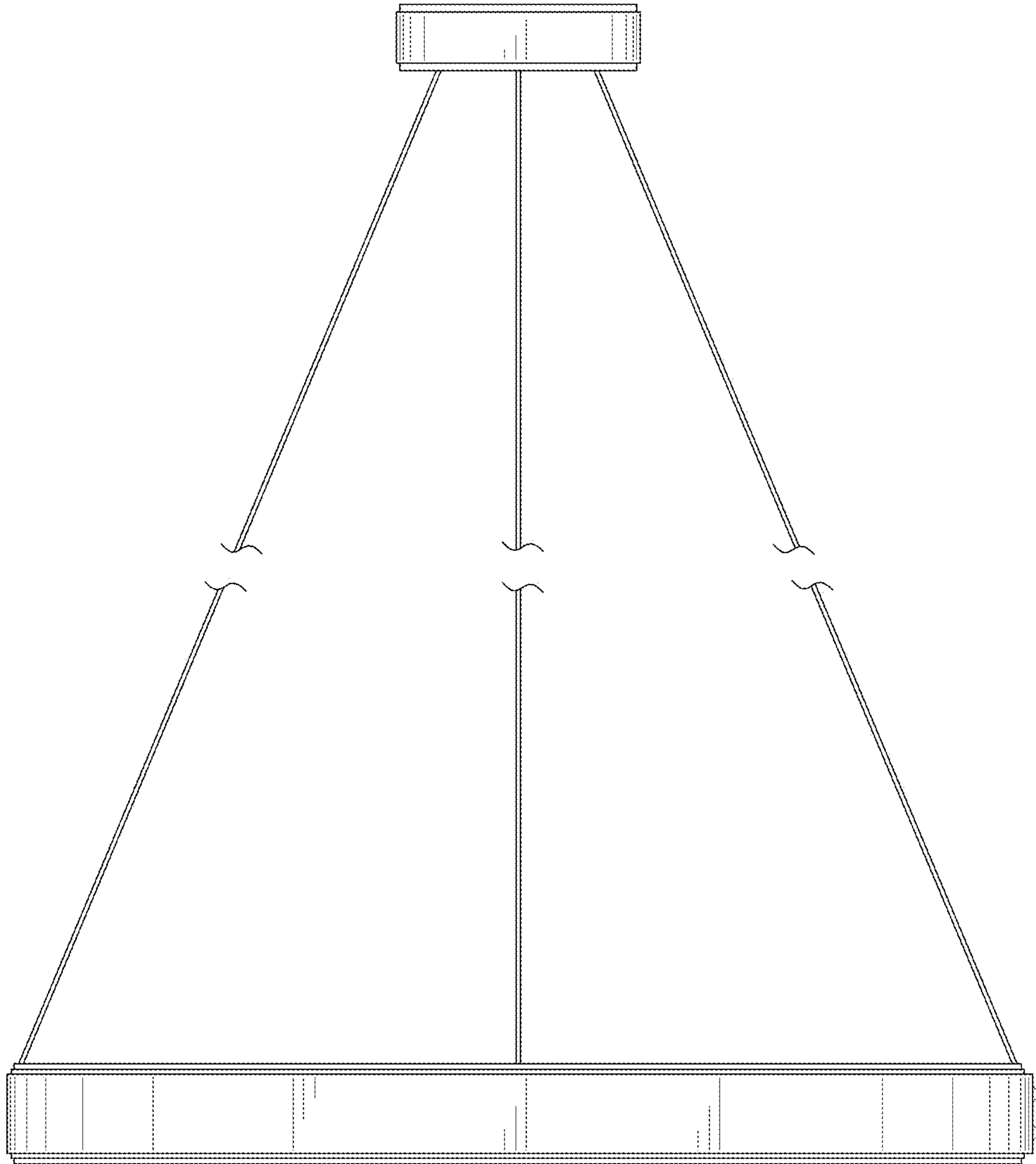


FIG. 5

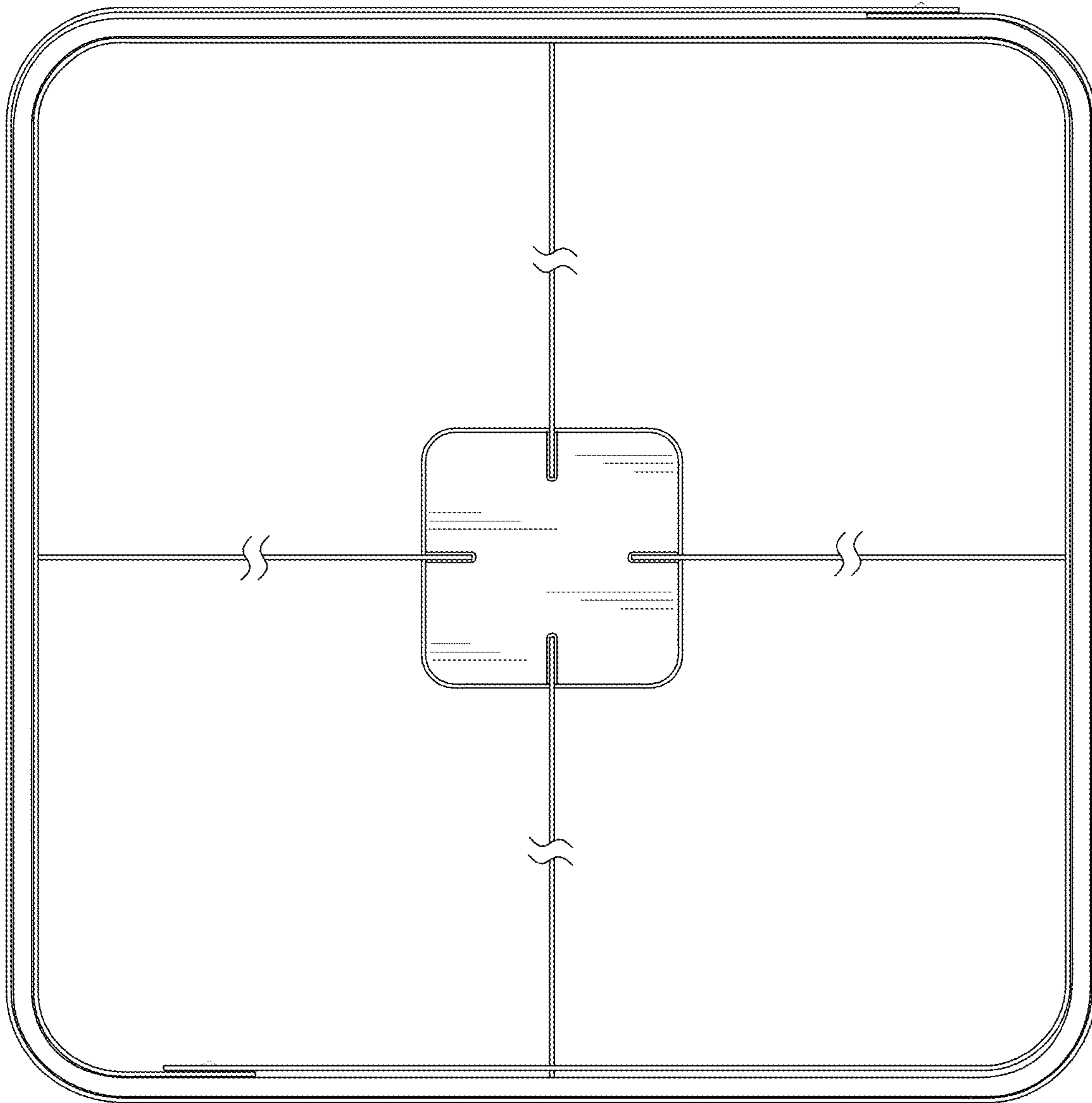


FIG. 6

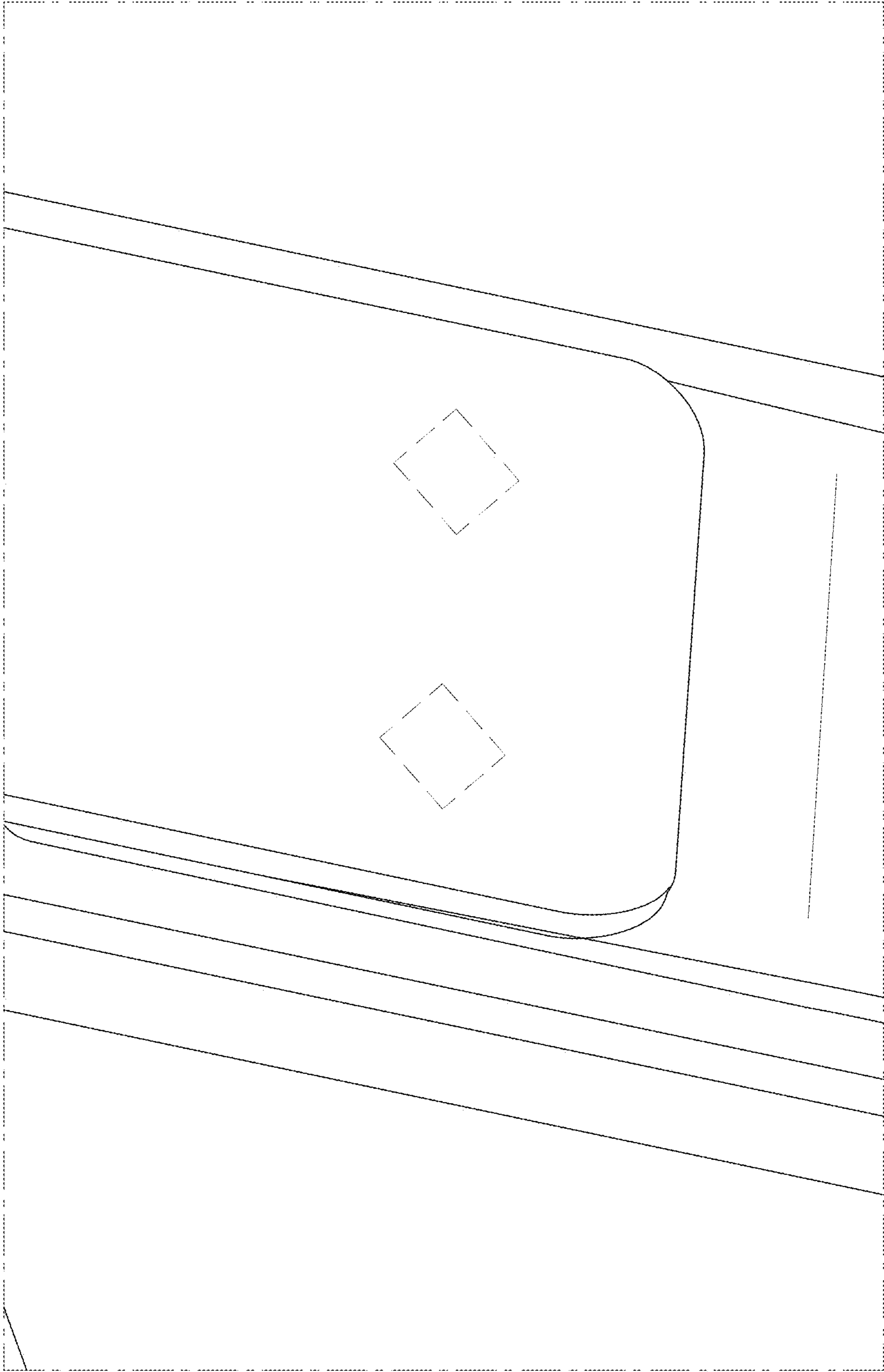


FIG. 7

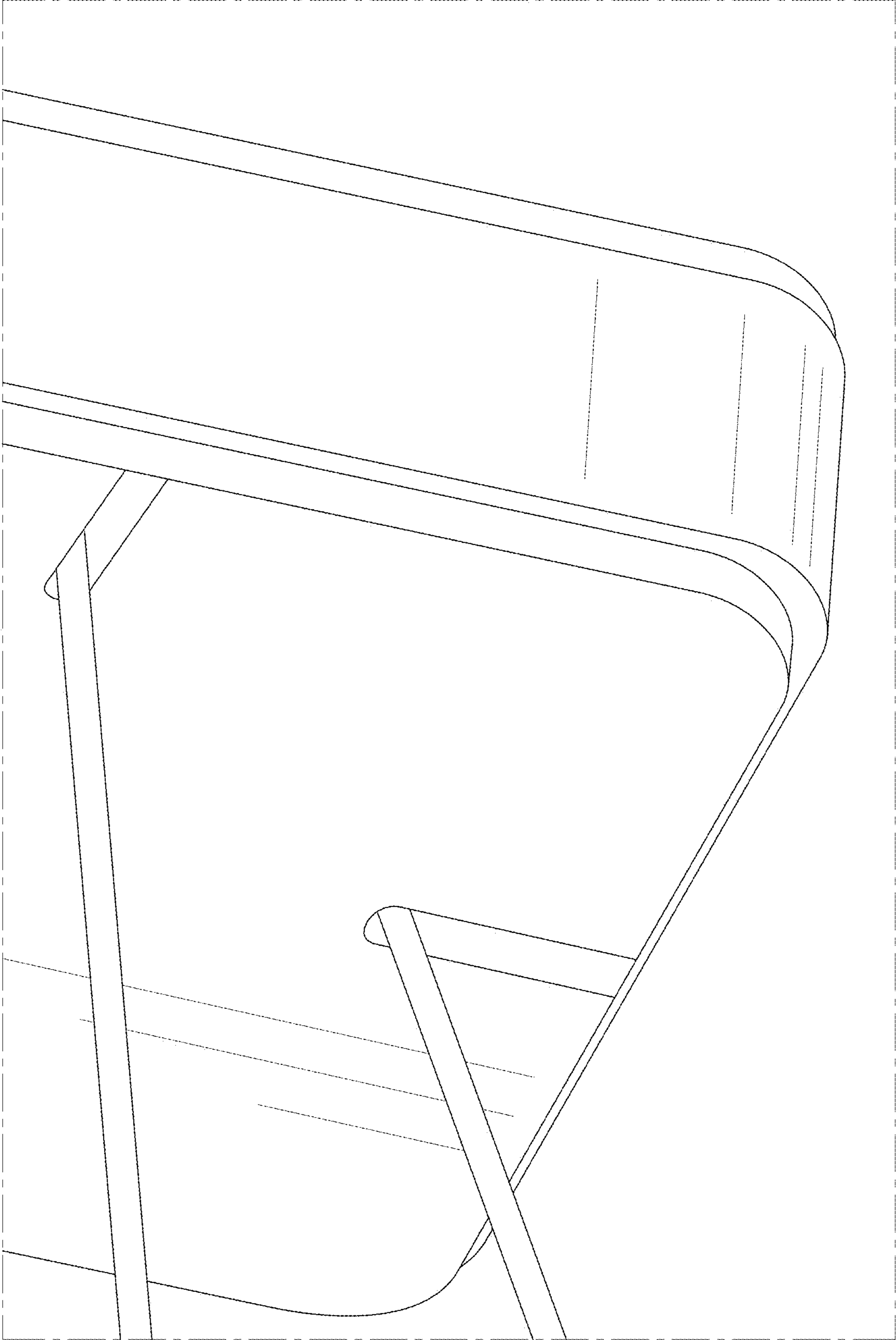


FIG. 8

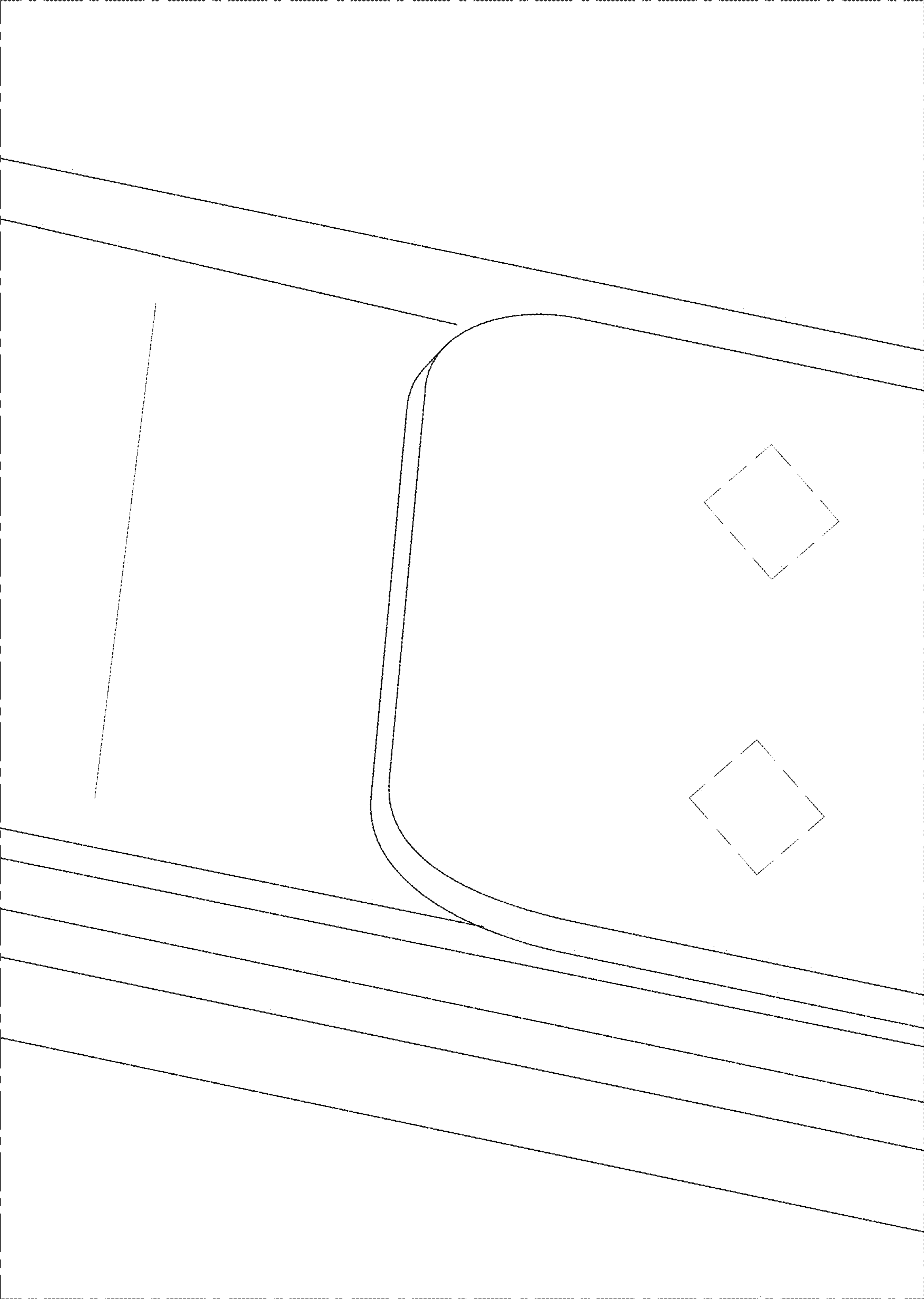


FIG. 9