



US00D918459S

(12) **United States Design Patent**
Yuan et al.

(10) **Patent No.:** **US D918,459 S**
(45) **Date of Patent:** **** May 4, 2021**

(54) **LAMP**

(71) Applicant: **ZHONGSHAN CITY KINGLONG LIGHTING FACTORY CO., LTD,**
Guangdong (CN)

(72) Inventors: **Shiqiang Yuan,** Guangdong (CN);
Shujin Yuan, Guangdong (CN);
Shilong Yuan, Guangdong (CN)

(73) Assignee: **ZHONGSHAN CITY KINGLONG LIGHTING FACTORY CO., LTD,**
Zhongshan (CN)

(**) Term: **15 Years**

(21) Appl. No.: **29/703,336**

(22) Filed: **Aug. 27, 2019**

(51) **LOC (13) Cl.** **26-03**

(52) **U.S. Cl.**
USPC **D26/88**

(58) **Field of Classification Search**
USPC D26/80-86, 88, 90, 91
CPC F21S 8/06; F21S 8/061; F21S 8/063; F21S
8/065; F21S 8/066; F21S 8/068
See application file for complete search history.

(56) **References Cited**

U.S. PATENT DOCUMENTS

D90,938 S *	10/1933	Beck	D26/88
5,532,912 A *	7/1996	Bendit	F21V 1/00 362/352
D698,983 S *	2/2014	Rampolla	D26/90
D768,905 S *	10/2016	Sonneman	D26/88
D783,197 S *	4/2017	Arndt	D26/90
D786,481 S *	5/2017	Wiedemer	D26/81
D835,328 S *	12/2018	Silver	D26/90
D892,384 S *	8/2020	Keim	D26/88

D898,979 S *	10/2020	Silver	D26/88
2009/0213581 A1 *	8/2009	Gauger	F21S 13/06 362/161
2014/0153257 A1 *	6/2014	Smith	F21V 1/14 362/355
2015/0338038 A1 *	11/2015	Feit	F21V 19/0045 362/147
2016/0245488 A1 *	8/2016	Clark	F21S 2/00

OTHER PUBLICATIONS

Reichard 1—Light Drum LED Chandelier By Orren Ellis available at wayfair.com as early as Dec. 10, 2019. (Year: 2019).*
TANIA Orbicular 2-Light Geometric Pendant by Vonn Lighting, available at wayfair.com as early as Nov. 21, 2019. (Year: 2019).*

(Continued)

Primary Examiner — Clare E Heflin

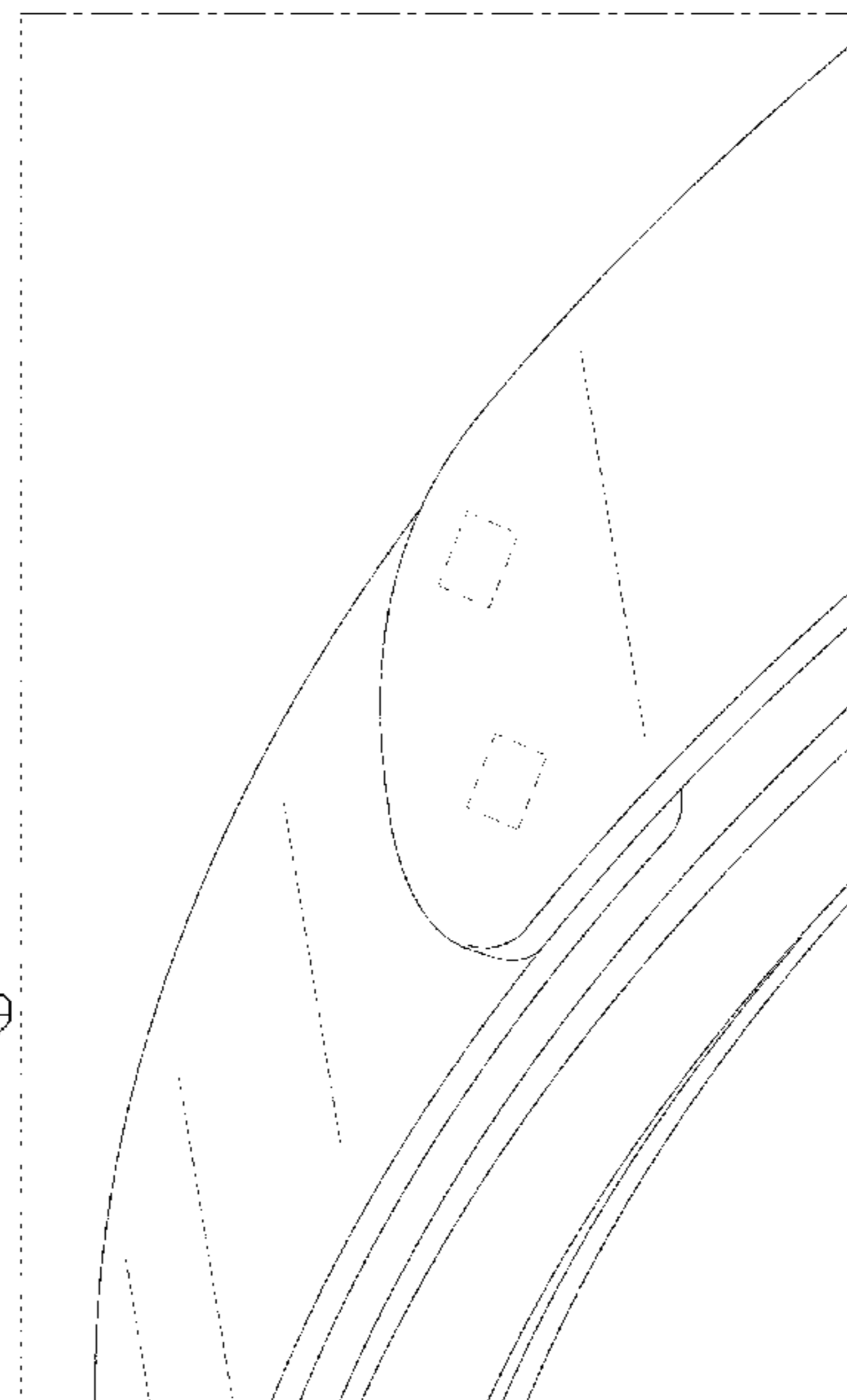
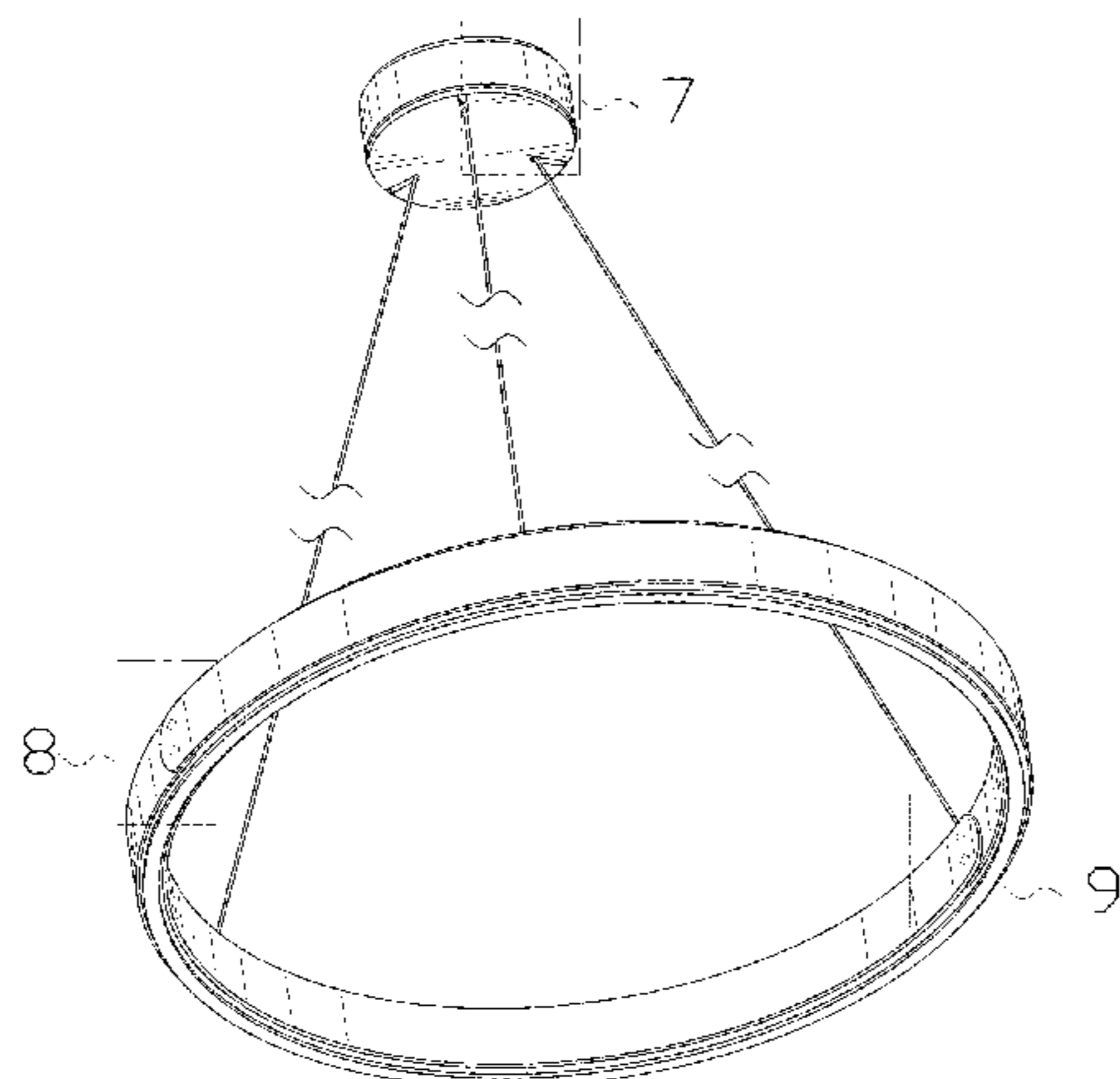
(57) **CLAIM**

The ornamental design for a lamp, as shown and described.

DESCRIPTION

FIG. 1 is a bottom, rear and left side perspective view of a lamp showing our new design;
FIG. 2 is a front elevational view thereof;
FIG. 3 is a rear elevational view thereof;
FIG. 4 is a right side view thereof;
FIG. 5 is a left side view thereof;
FIG. 6 is a bottom plan view thereof;
FIG. 7 is an enlarged view of portion 7 in FIG. 1;
FIG. 8 is an enlarged view of portion 8 in FIG. 1; and,
FIG. 9 is an enlarged view of portion 9 in FIG. 1.
The broken lines in the drawings illustrate portions of the lamp which form no part of the claimed design.
The lamp is shown with a symbolic break in its length. The appearance of any portion of the article between the break lines forms no parts of the claimed design.

1 Claim, 9 Drawing Sheets



(56)

References Cited

OTHER PUBLICATIONS

Royal Pearl Modern Foyer Pendant Light available at amazon.com
Mar. 19, 2019. (Year: 2019).*

Pendant Lights from Zhongshan City Kinglong Lighting Factory
Co.,Ltd. <[https://www.buildmost.com/supplier/supplier_product/
product_category_3239_6722.html](https://www.buildmost.com/supplier/supplier_product/product_category_3239_6722.html)> visited Feb. 4, 2021. (Year:
2021).*

* cited by examiner

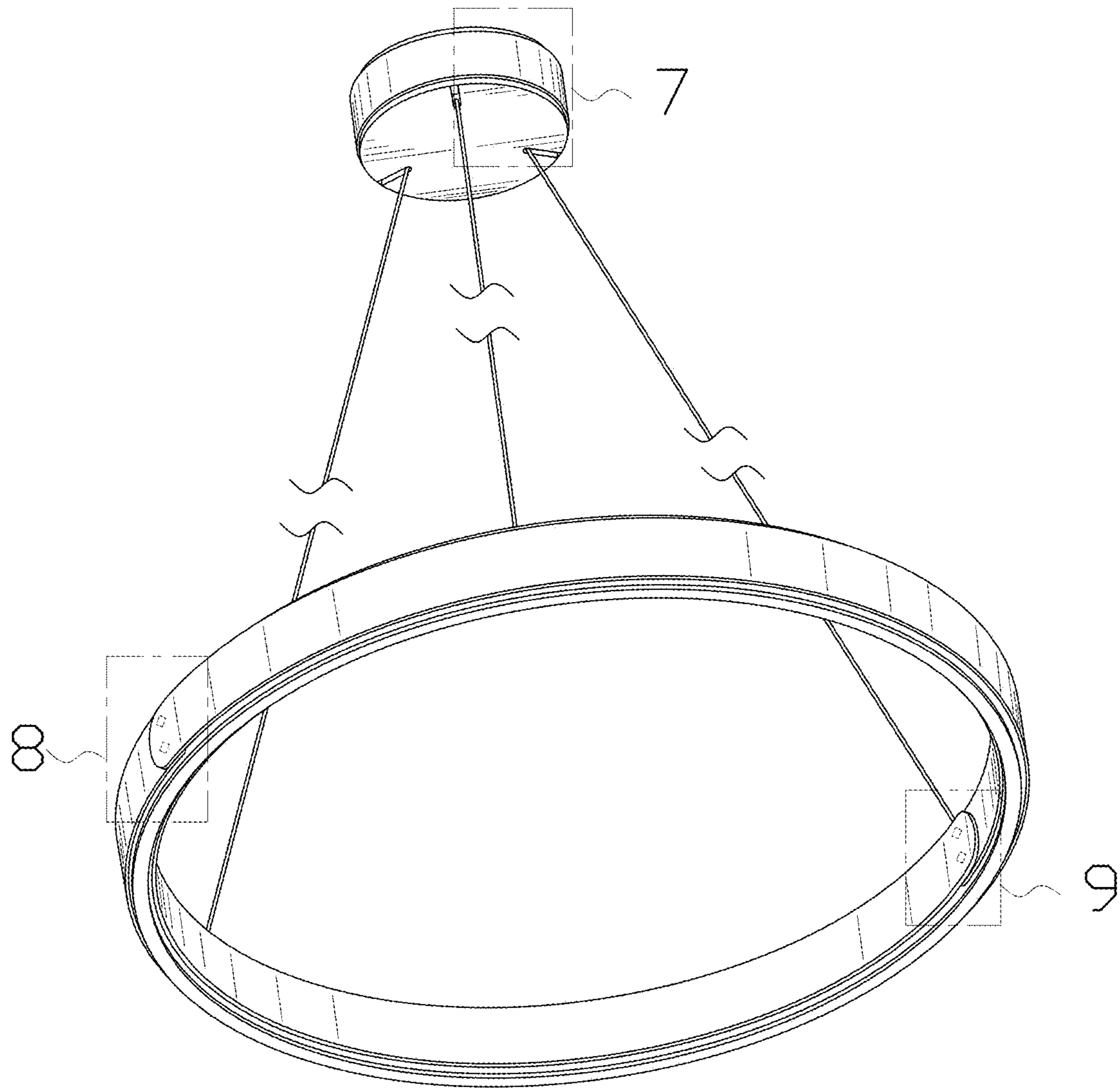


FIG. 1

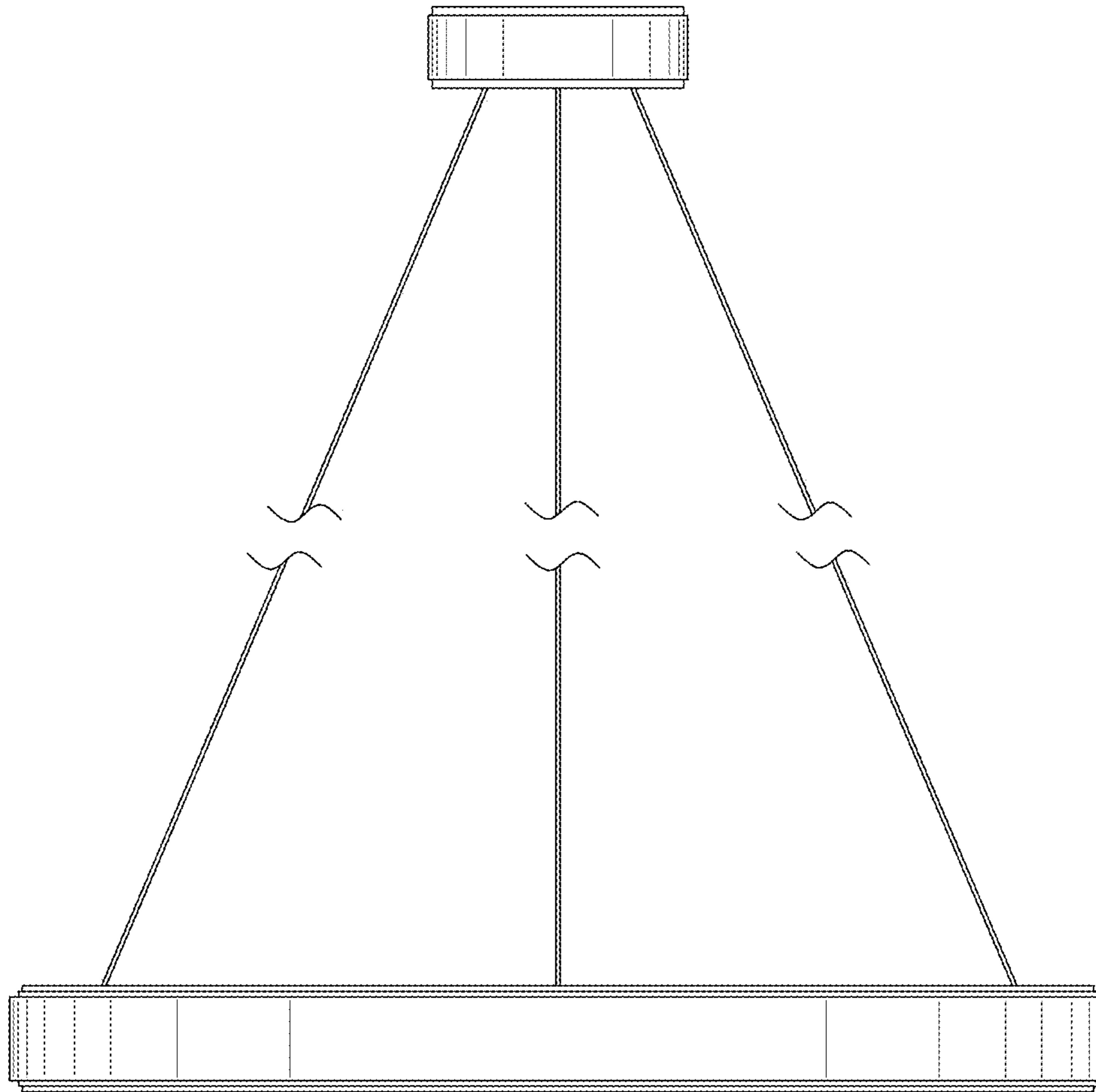


FIG. 2

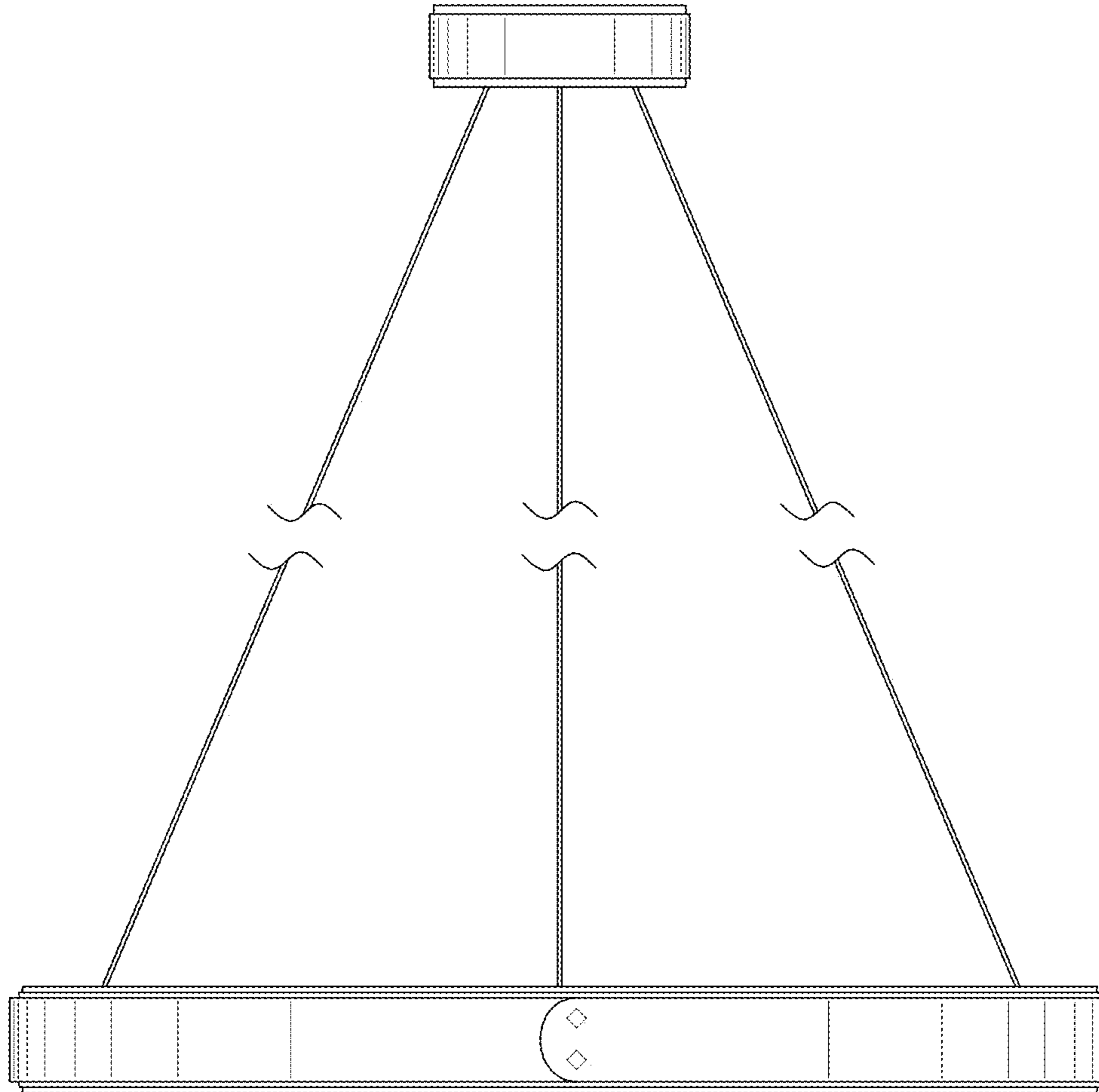


FIG. 3

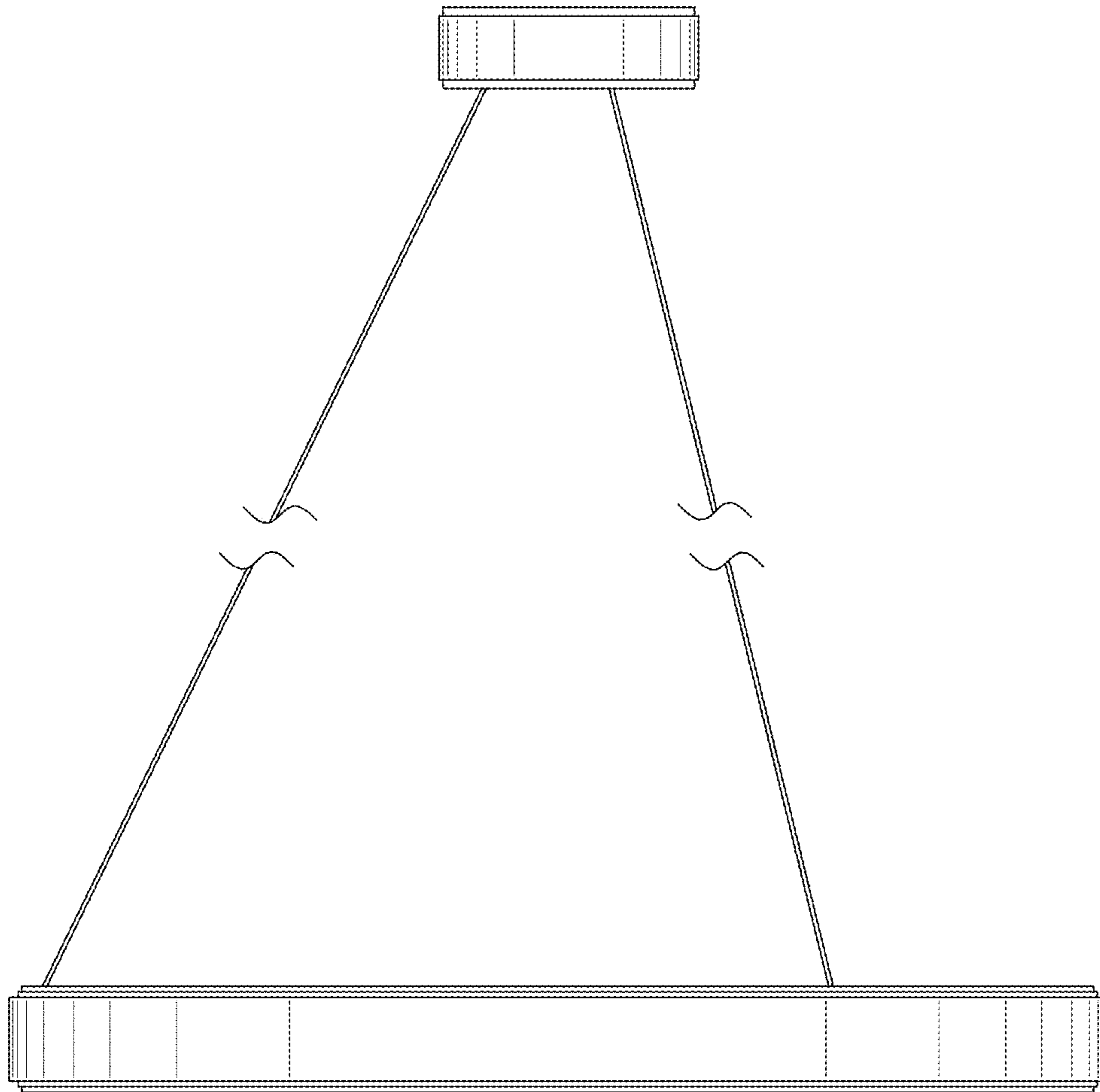


FIG. 4

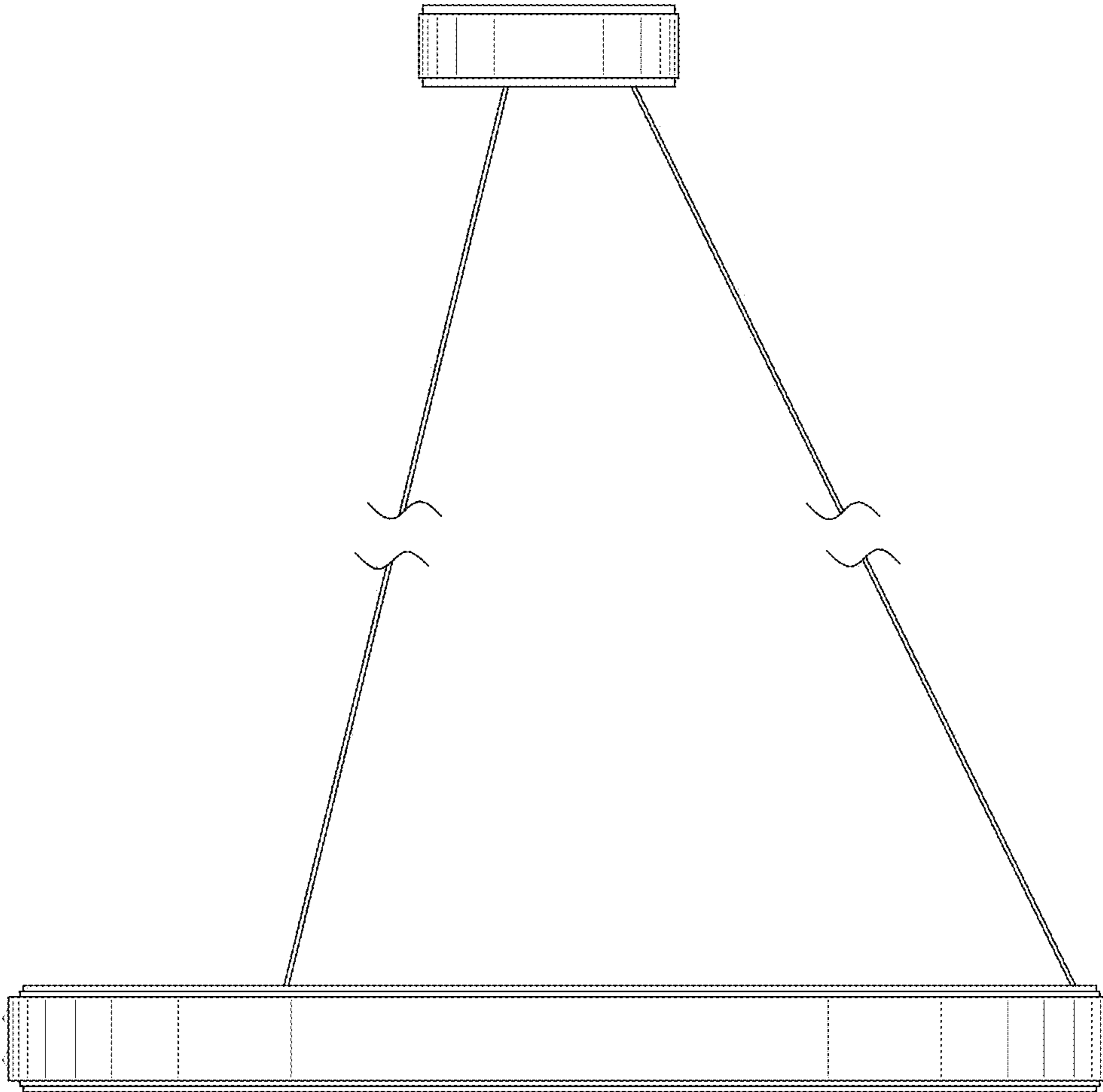


FIG. 5

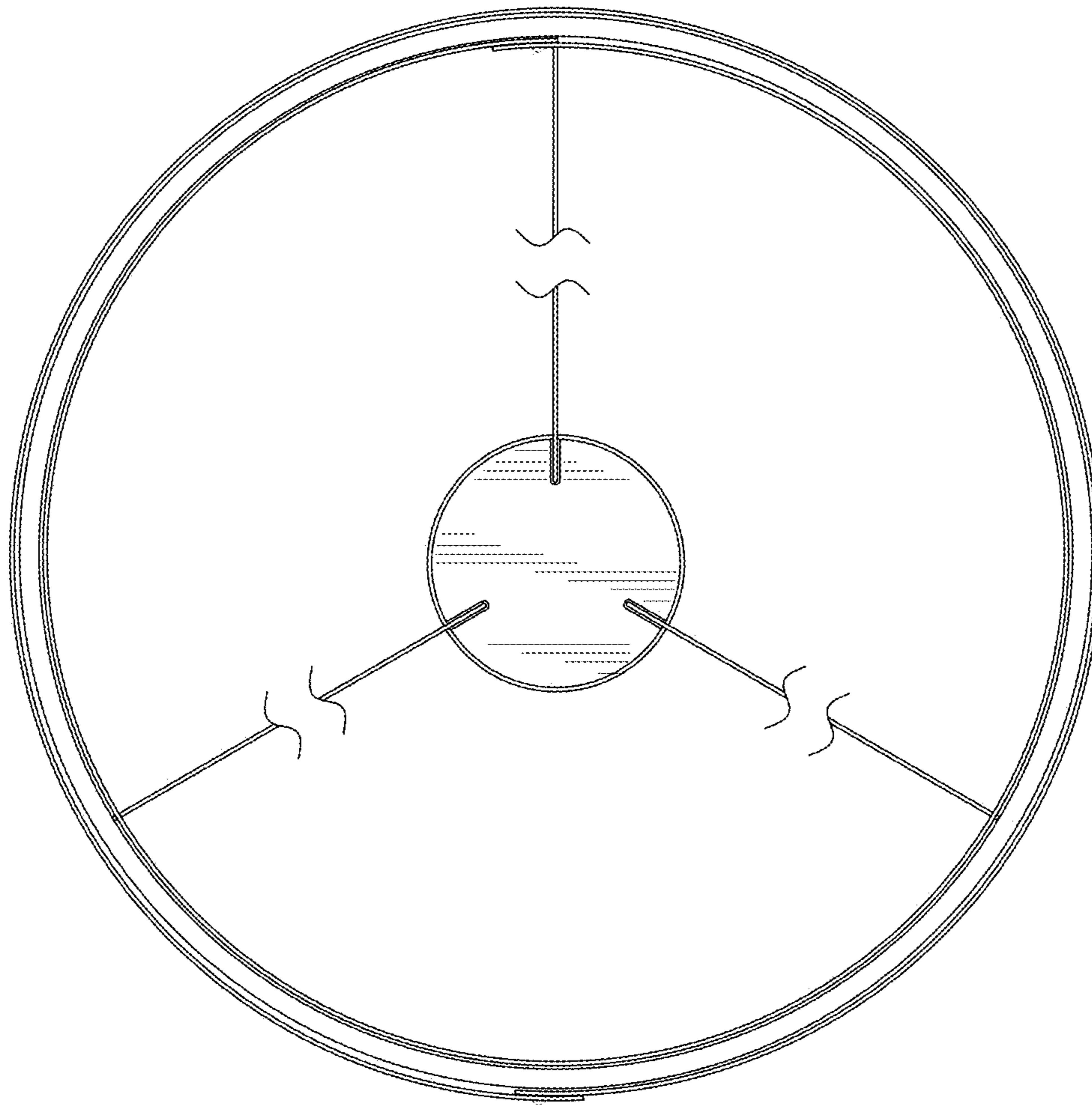


FIG. 6

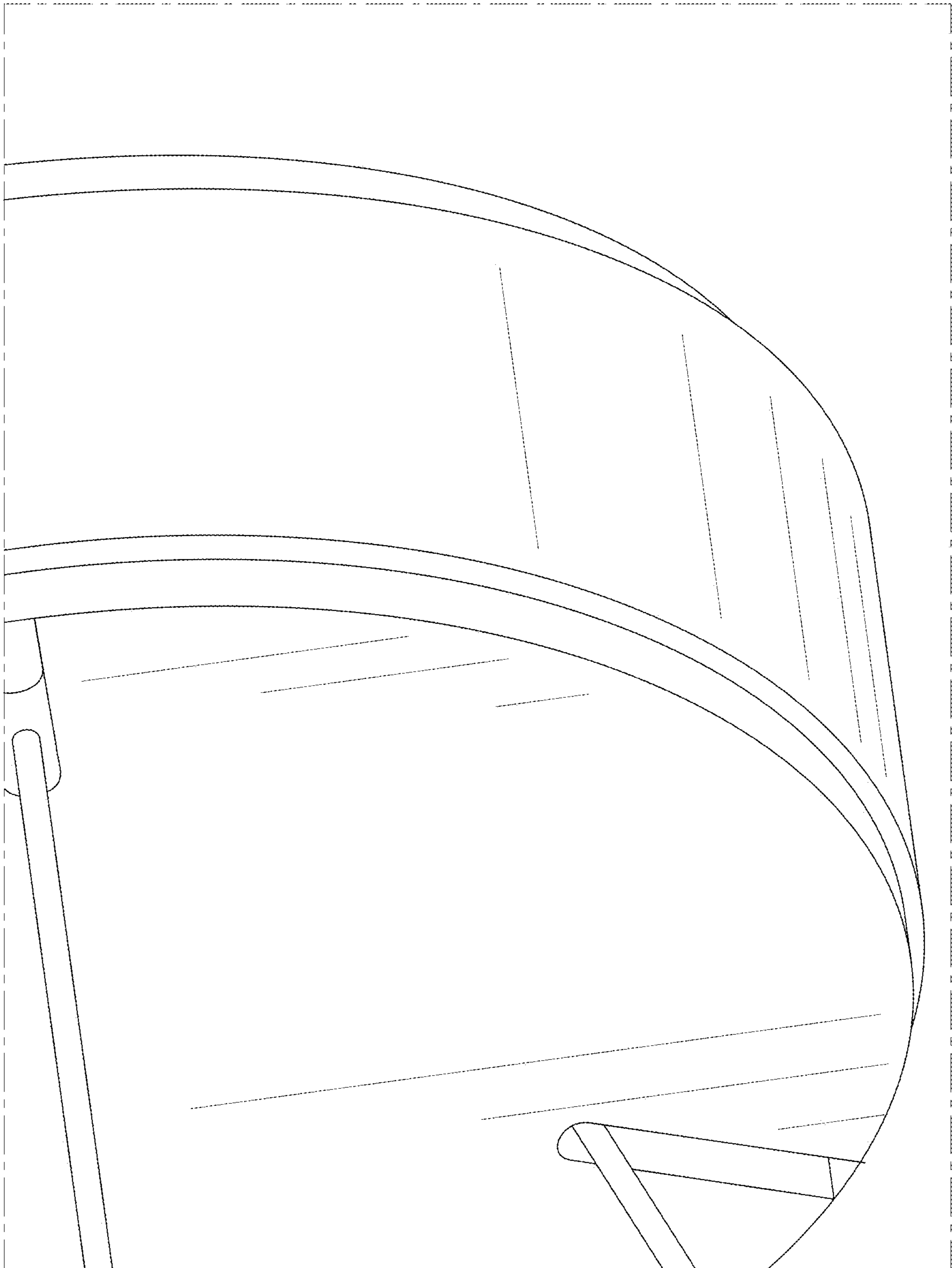


FIG. 7

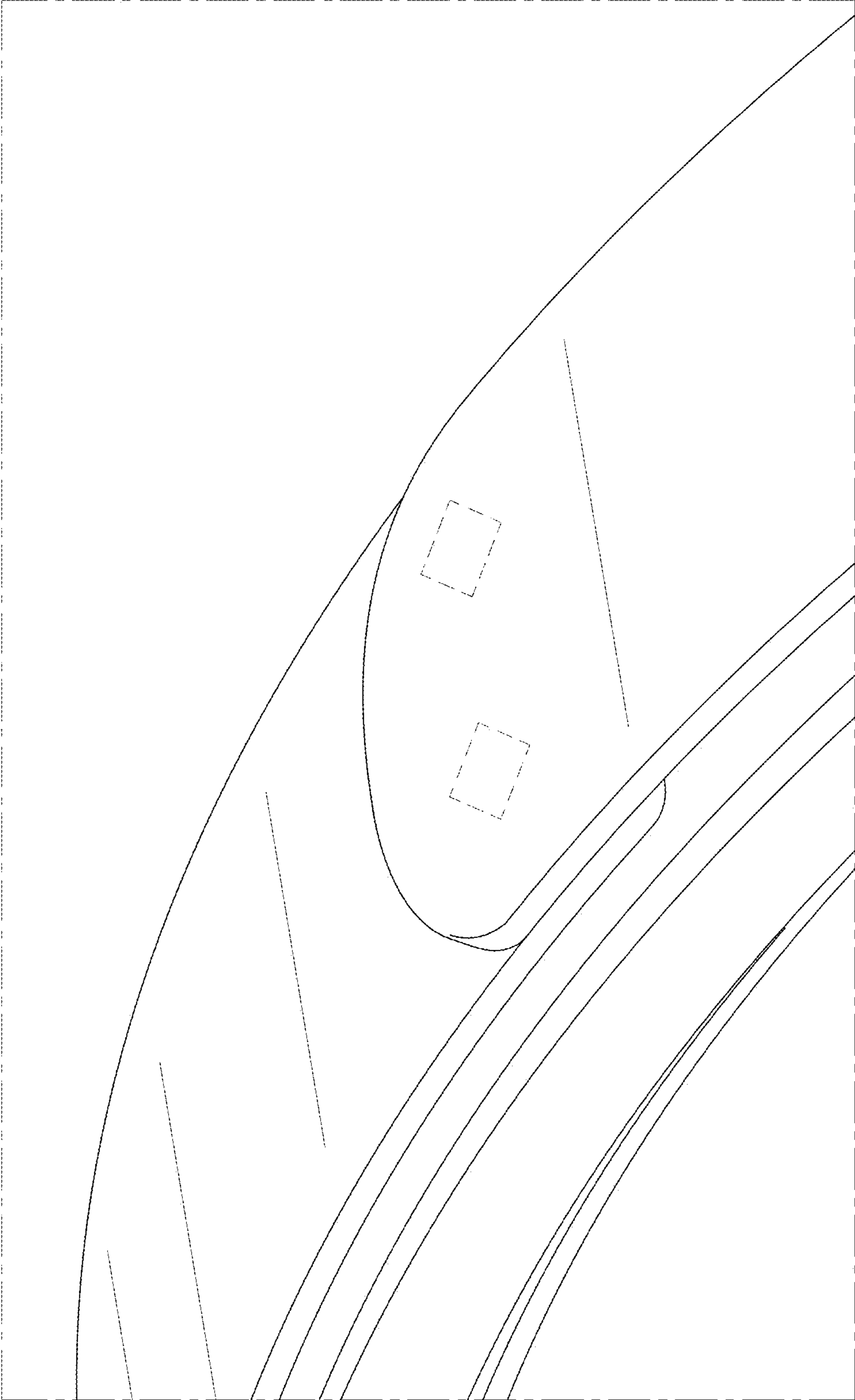


FIG. 8

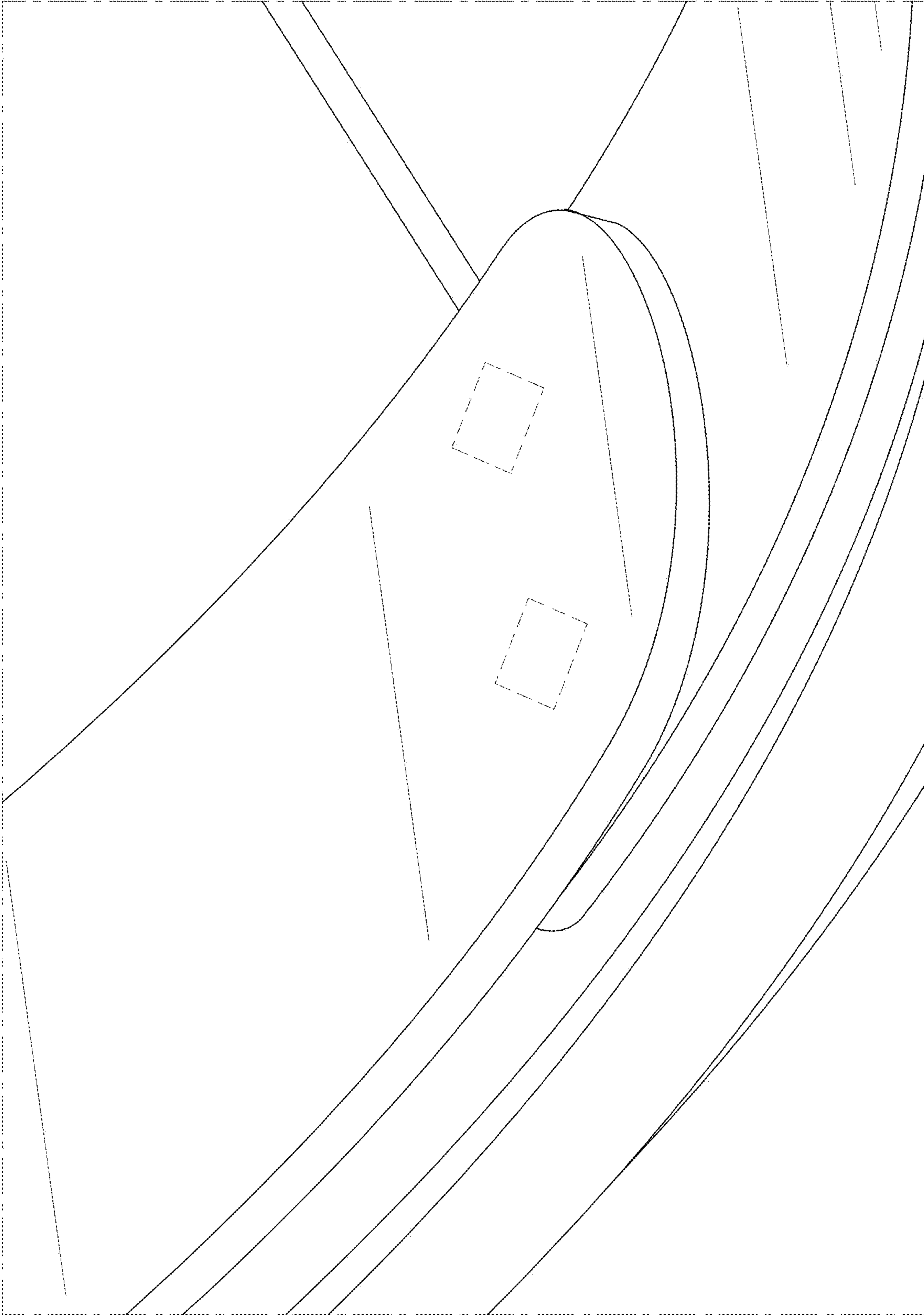


FIG. 9