



US00D918458S

(12) **United States Design Patent** (10) **Patent No.:** **US D918,458 S**
Baylar (45) **Date of Patent:** **** *May 4, 2021**

- (54) **CHANDELIER**
- (71) Applicant: **HUDSON FURNITURE, INC.**, New York, NY (US)
- (72) Inventor: **Barlas Baylar**, New York, NY (US)
- (73) Assignee: **HUDSON FURNITURE, INC.**, New York, NY (US)
- (*) Notice: This patent is subject to a terminal disclaimer.
- (**) Term: **15 Years**

D622,893 S	8/2010	Nadell	
D633,643 S *	3/2011	De Lucchi	D26/88
D634,877 S	3/2011	Pedrali	
D635,711 S *	4/2011	Scutella'	D26/88
D644,778 S	9/2011	Lovegrove	
D655,847 S	3/2012	Sabernig	
D656,658 S	3/2012	Pedrali	
D660,503 S	5/2012	Gilad	
D697,251 S	1/2014	Baylar	
D697,252 S	1/2014	Baylar	
D703,365 S	4/2014	Martin	
D730,562 S	5/2015	Blackman	
D744,151 S	11/2015	Wu	
D762,910 S	8/2016	Park	

(Continued)

- (21) Appl. No.: **29/738,181**
- (22) Filed: **Jun. 15, 2020**
- (51) **LOC (13) Cl.** **26-03**
- (52) **U.S. Cl.**
USPC **D26/86; D26/88; D26/90**
- (58) **Field of Classification Search**
USPC D26/72, 80, 81, 82, 84, 86, 88, 90
CPC F21S 8/03; F21S 8/04; F21S 8/043; F21S 8/046; F21S 8/06; F21S 8/061; F21S 8/063; F21S 8/065
See application file for complete search history.

OTHER PUBLICATIONS

Craftmade Mira 11-Light Chrome Modern/Contemporary Chandelier Item #1520312 Model #47191-CH-LED from lowes.com, visited Oct. 22, 2020. (Year: 2020).*

(Continued)

Primary Examiner — Clare E Heflin

(74) *Attorney, Agent, or Firm* — Hodgson Russ LLP

(57) **CLAIM**

The ornamental design for a chandelier, as shown and described.

(56) **References Cited**

U.S. PATENT DOCUMENTS

D129,921 S	10/1941	Irmischer
D181,786 S	12/1957	Ferguson
D220,206 S	3/1971	Hamburger
D368,148 S	3/1996	Lee
D387,448 S	12/1997	Barthelmess
D430,325 S	8/2000	Milicia
D463,045 S	9/2002	Foo
D487,528 S	3/2004	Christensen
D503,002 S	3/2005	Iida
D581,085 S	11/2008	Vakil
D588,304 S	3/2009	De'Armond
D619,291 S	7/2010	Thevenot

DESCRIPTION

FIG. 1 is a perspective view of a chandelier showing my new design;

FIG. 2 is a front elevation view thereof;

FIG. 3 is a rear elevation view thereof;

FIG. 4 is a right side elevation view thereof;

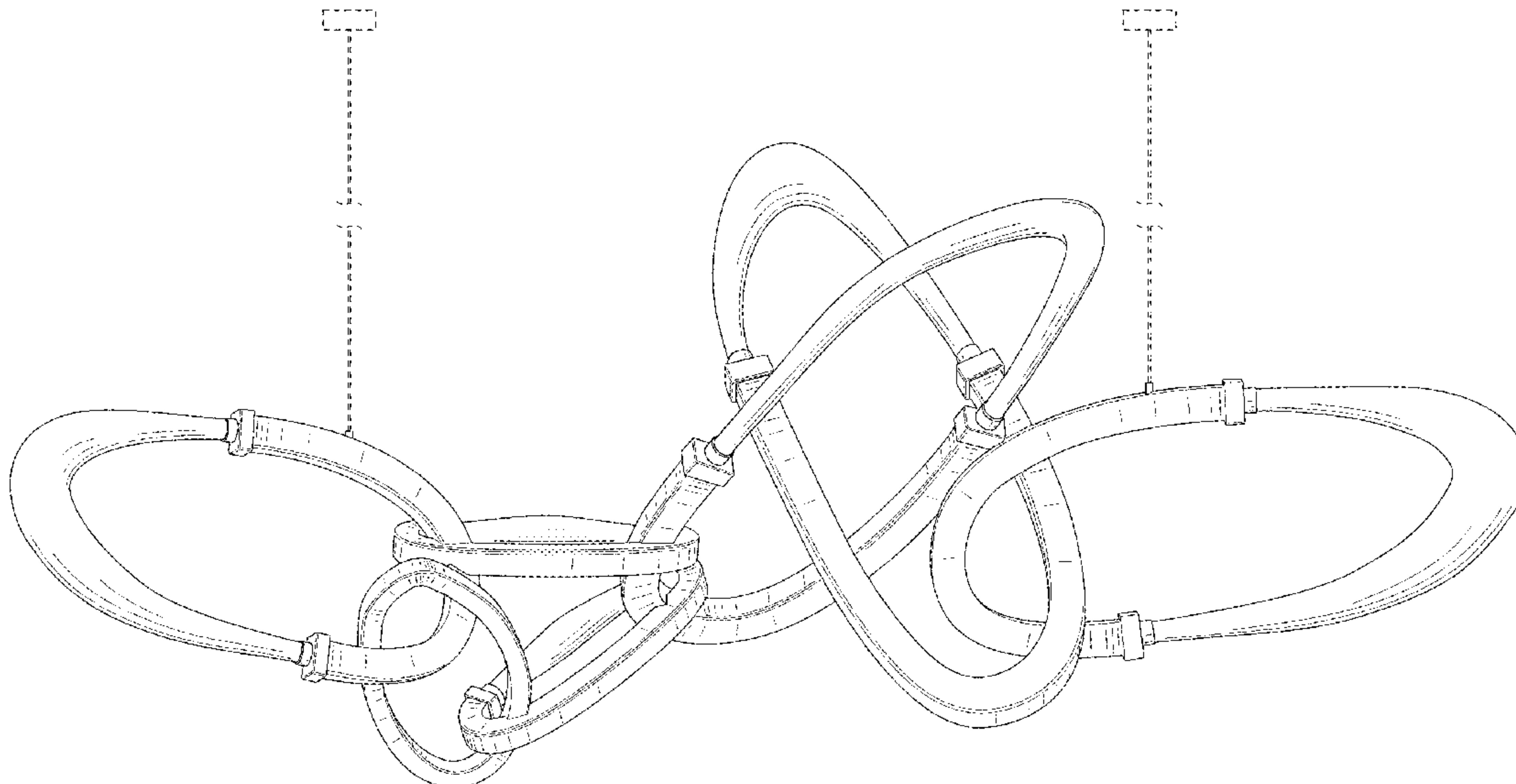
FIG. 5 is a left side elevation view thereof;

FIG. 6 is a top view thereof; and,

FIG. 7 is a bottom view thereof.

The broken lines illustrate unclaimed portions of the chandelier that form no part of the claimed design.

1 Claim, 7 Drawing Sheets



(56)

References Cited

U.S. PATENT DOCUMENTS

D790,104 S 6/2017 Micheli
D791,401 S 7/2017 Sonneman
D793,605 S 8/2017 Cartwright
D794,862 S * 8/2017 Baylar D26/84
D826,451 S 8/2018 Sonneman
D827,907 S 9/2018 Silver
D827,908 S 9/2018 Silver
D827,909 S 9/2018 Silver
D831,263 S 10/2018 Streit
D851,819 S 6/2019 Sperling
D851,821 S 6/2019 Sperling
D853,631 S 7/2019 Sperling
D866,044 S 11/2019 Anastasiades
D870,351 S 12/2019 Sonneman
D887,620 S * 6/2020 Zhu D26/88
2013/0265758 A1 10/2013 Smith

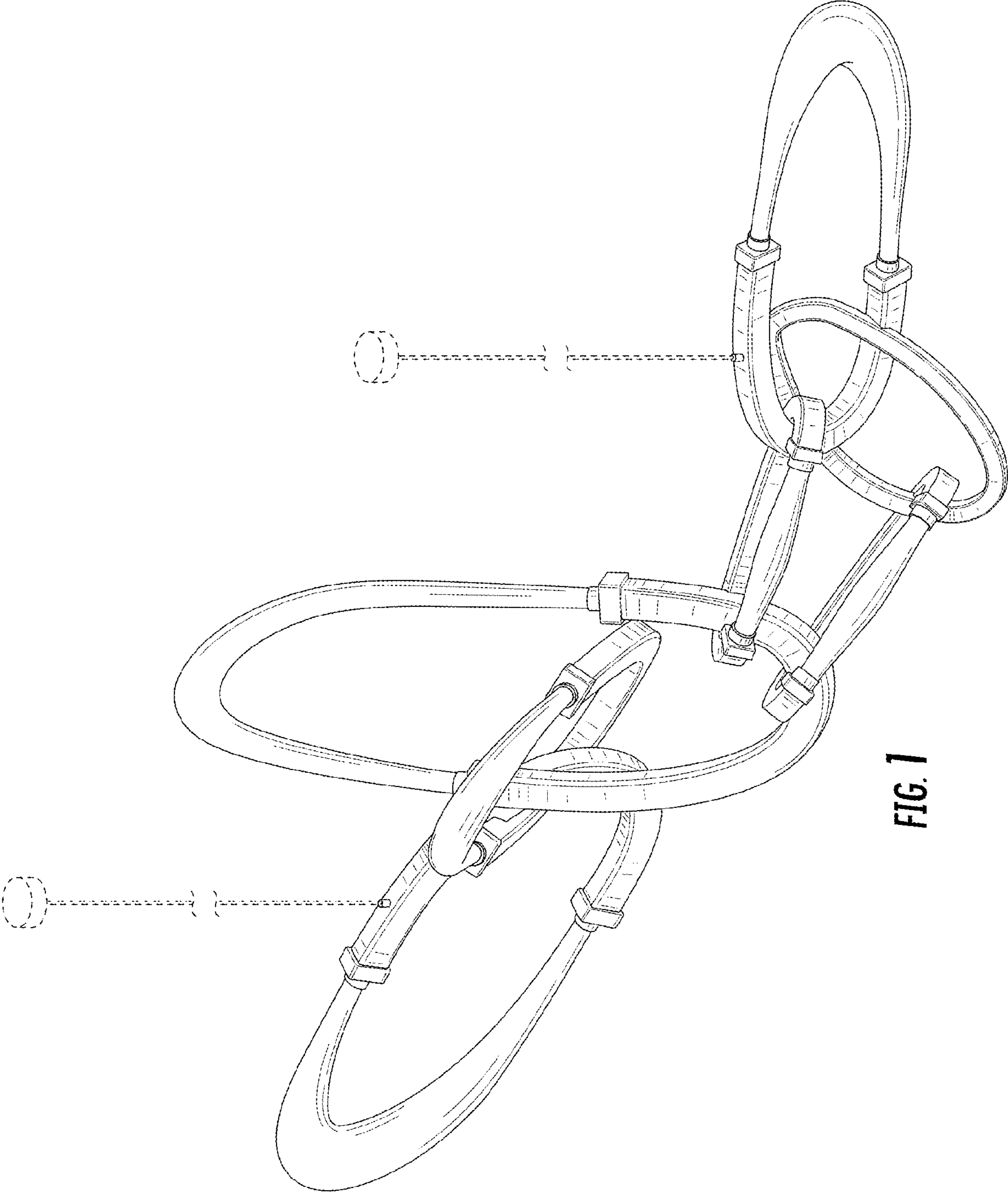
OTHER PUBLICATIONS

Dimmable Modern LED Pendant Lighting, Brand: 558/ Sold by:
haoranwujin at amazon.com Jul. 2, 2020. (Year: 2020).*

ET2 Ringer Share Floating Acrylic Rings LED Pendant Ceiling
Lighting, Model No. E24725-BKPC available at amazon.com Aug.
14, 2017. (Year: 2017).*

Pantheon Chandelier 'Stainless Steel' by Hudson, from pinterest.
com dated Mar. 31, 2020. (Year: 2020).*

* cited by examiner



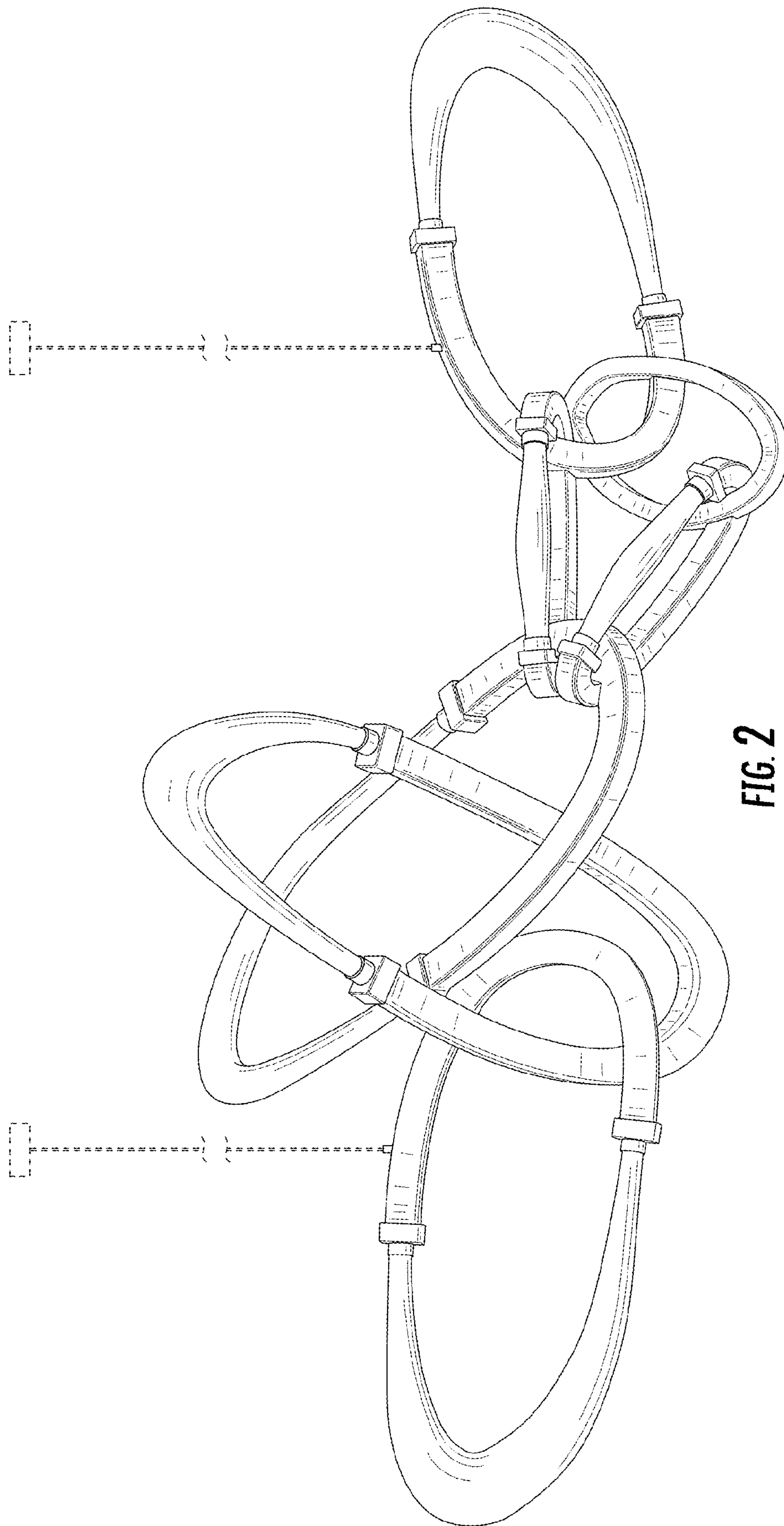
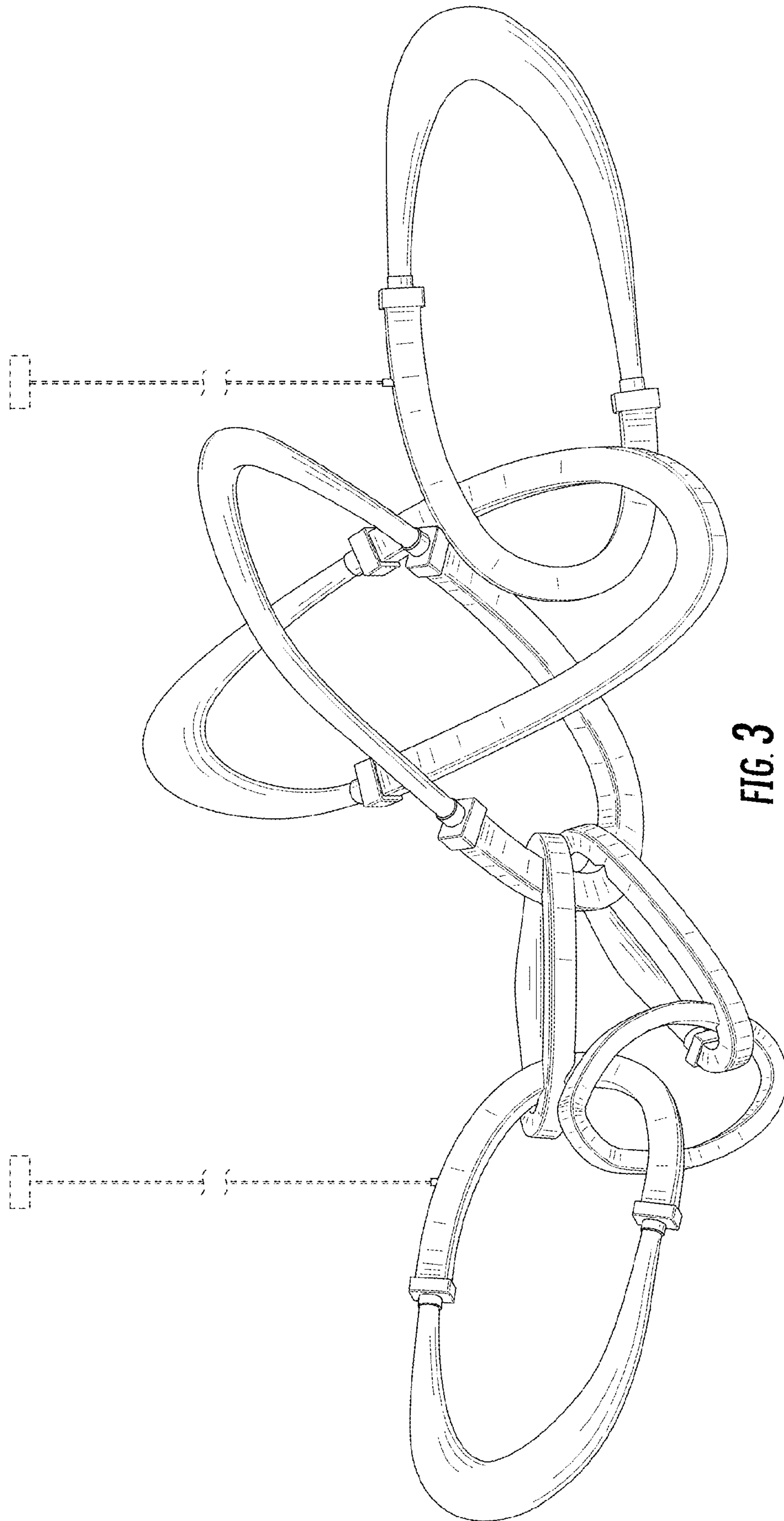


FIG. 2



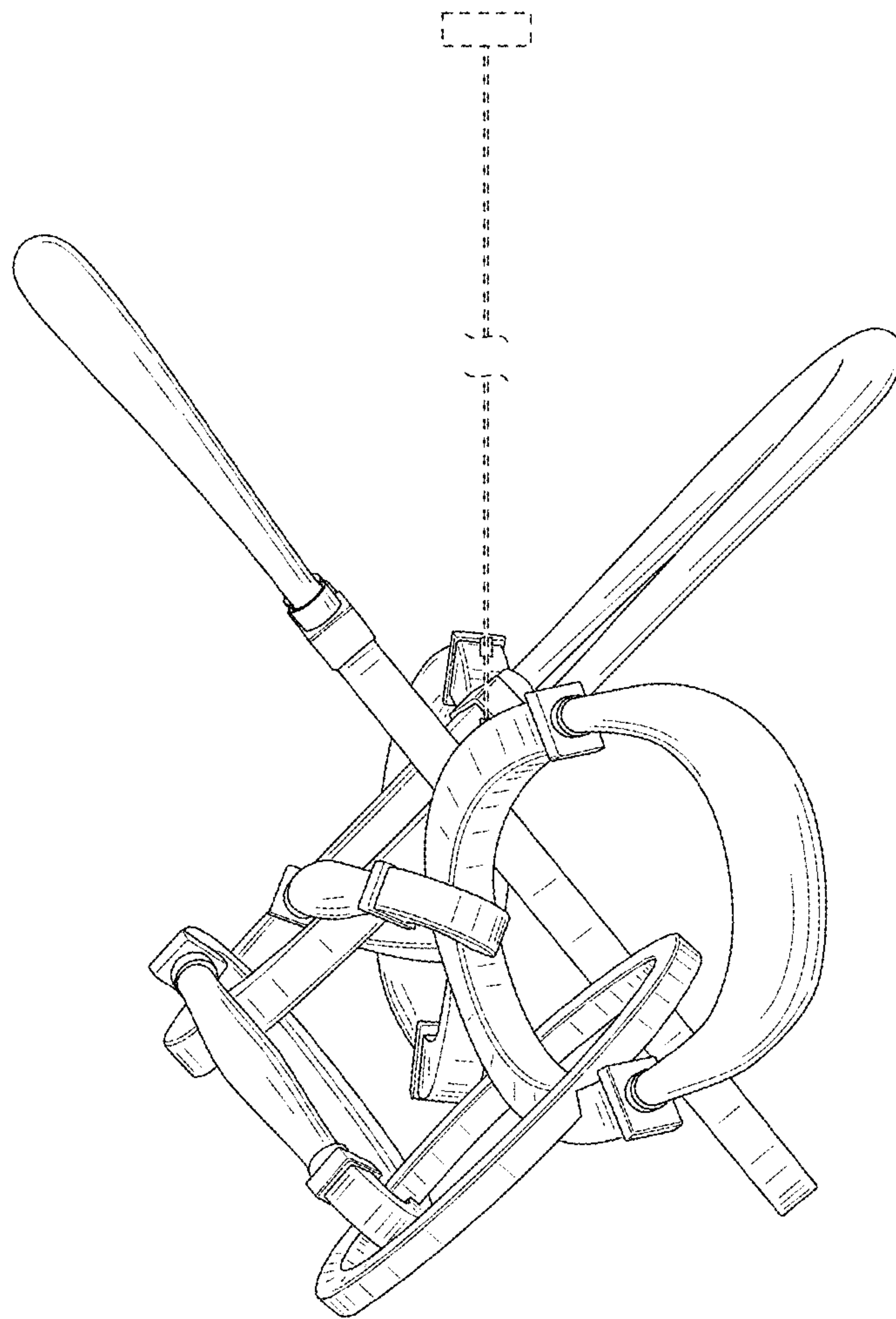


FIG. 4

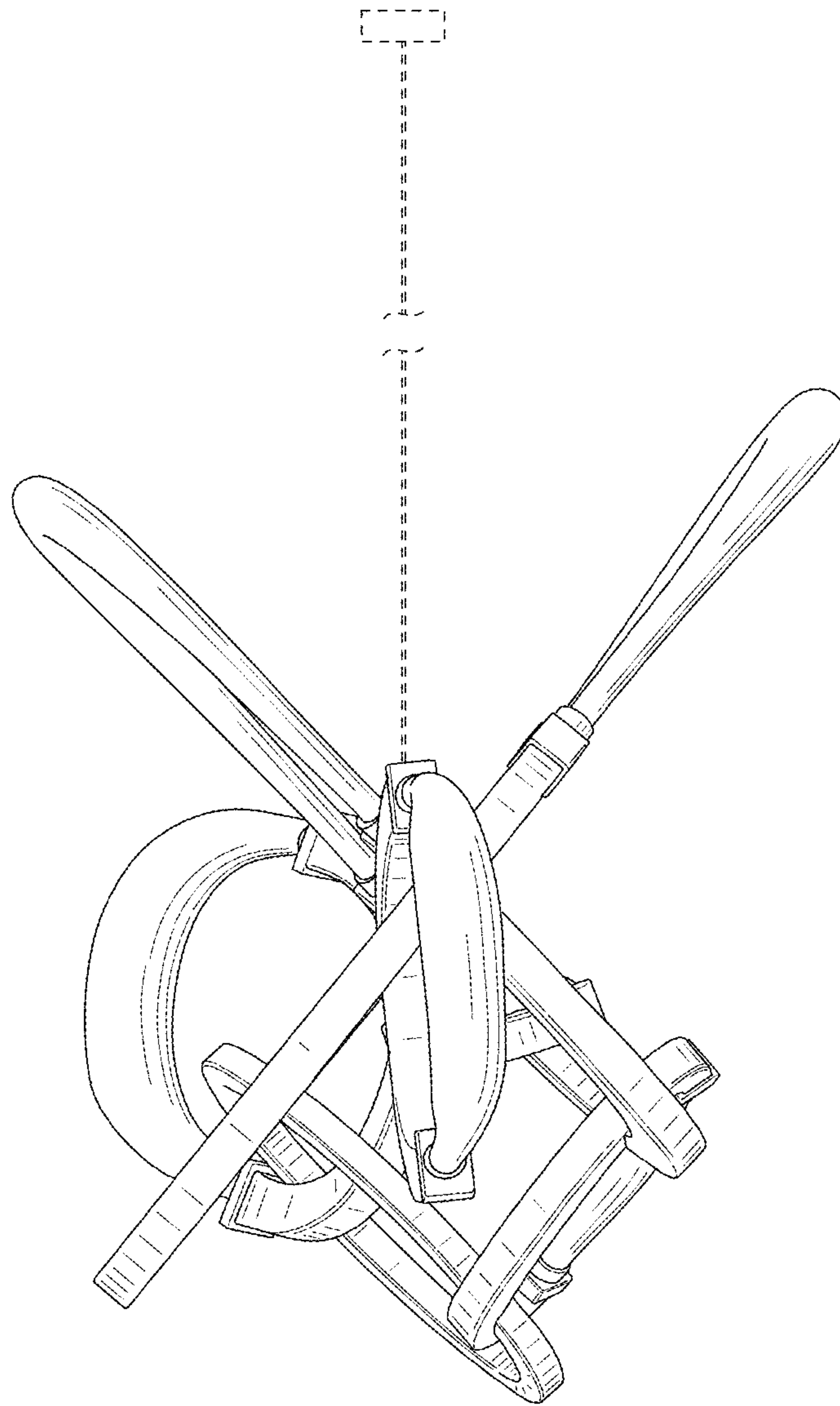


FIG. 5

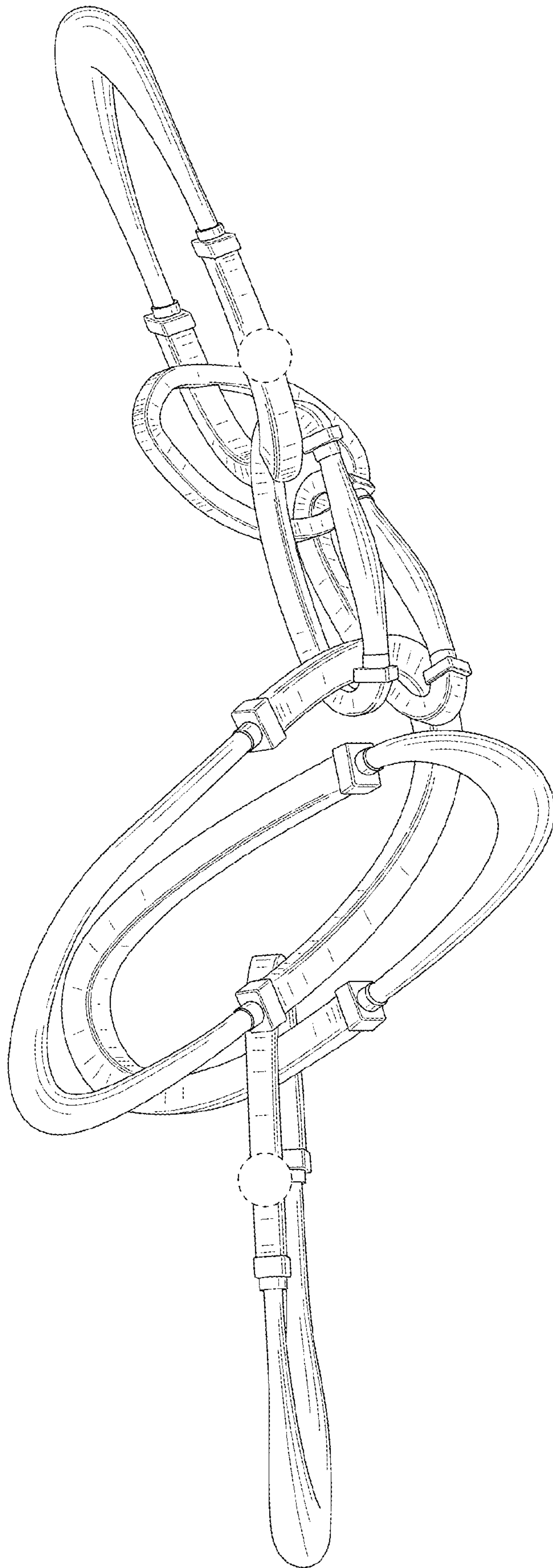


FIG. 6

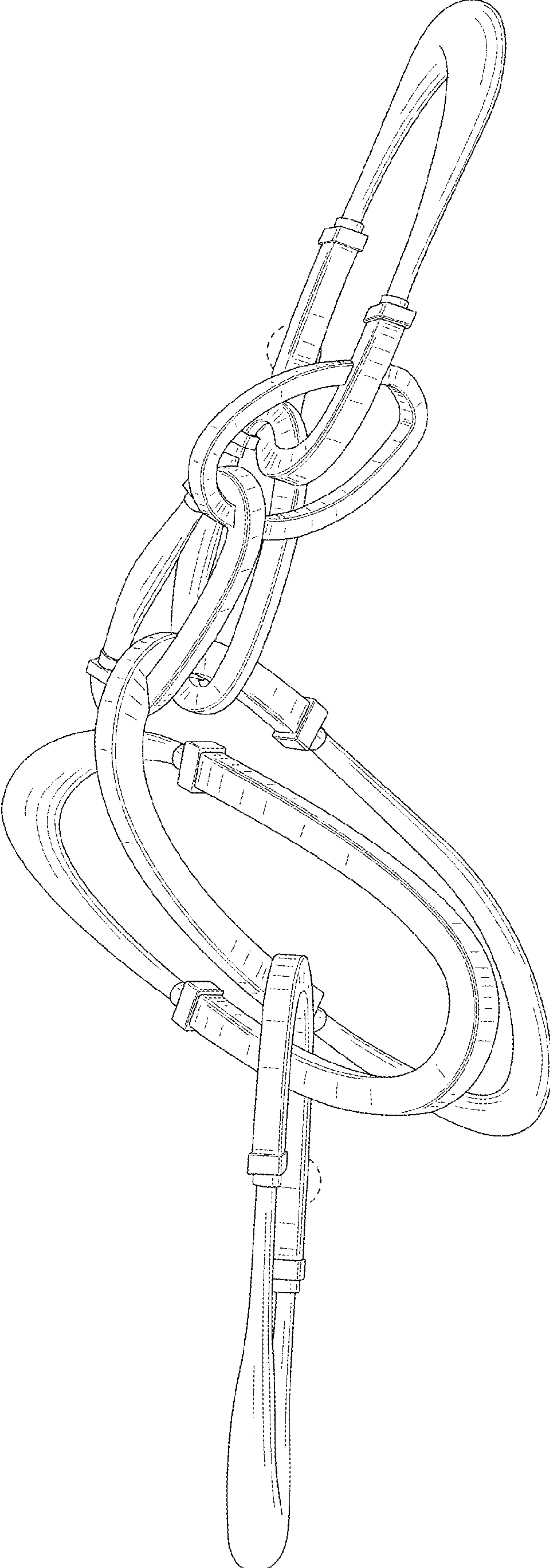


FIG. 7