



US00D918457S

(12) **United States Design Patent** (10) **Patent No.:** **US D918,457 S**
Zhang (45) **Date of Patent:** **** May 4, 2021**

(54) **FLAME-EFFECT LAMP WITH CHINESE KNOT PATTERN**

D886,344 S * 6/2020 Ho D26/41
D888,306 S * 6/2020 Ho D26/41
2018/0340677 A1* 11/2018 Soofer F21V 3/062

(71) Applicant: **Shenzhen City Yuyiyuan Technology Co., Ltd.**, Guangdong (CN)

OTHER PUBLICATIONS

(72) Inventor: **Donglin Zhang**, Guangdong (CN)

Kimba 9.4 in. White Ceramic Lantern by Artistic Weavers, Model # S00151052010 available at homedepot.com as early as Oct. 10, 2020. (Year: 2020).*

(**) Term: **15 Years**

* cited by examiner

(21) Appl. No.: **29/693,923**

Primary Examiner — Clare E Heflin

(22) Filed: **Jun. 6, 2019**

(74) *Attorney, Agent, or Firm* — Prakash Nama; Global IP Services, PLLC

(51) **LOC (13) Cl.** **26-03**

(52) **U.S. Cl.**
USPC **D26/85**

(58) **Field of Classification Search**
USPC D26/67, 72, 80, 85, 88, 87, 40, 41, 51, D26/92, 60
CPC F21S 8/03; F21S 8/033; F21S 8/036; F21S 8/081; F21W 2111/02; F21W 2111/023; F21W 2131/109

(57) **CLAIM**

The ornamental design for a flame-effect lamp with Chinese knot pattern, as shown and described.

See application file for complete search history.

DESCRIPTION

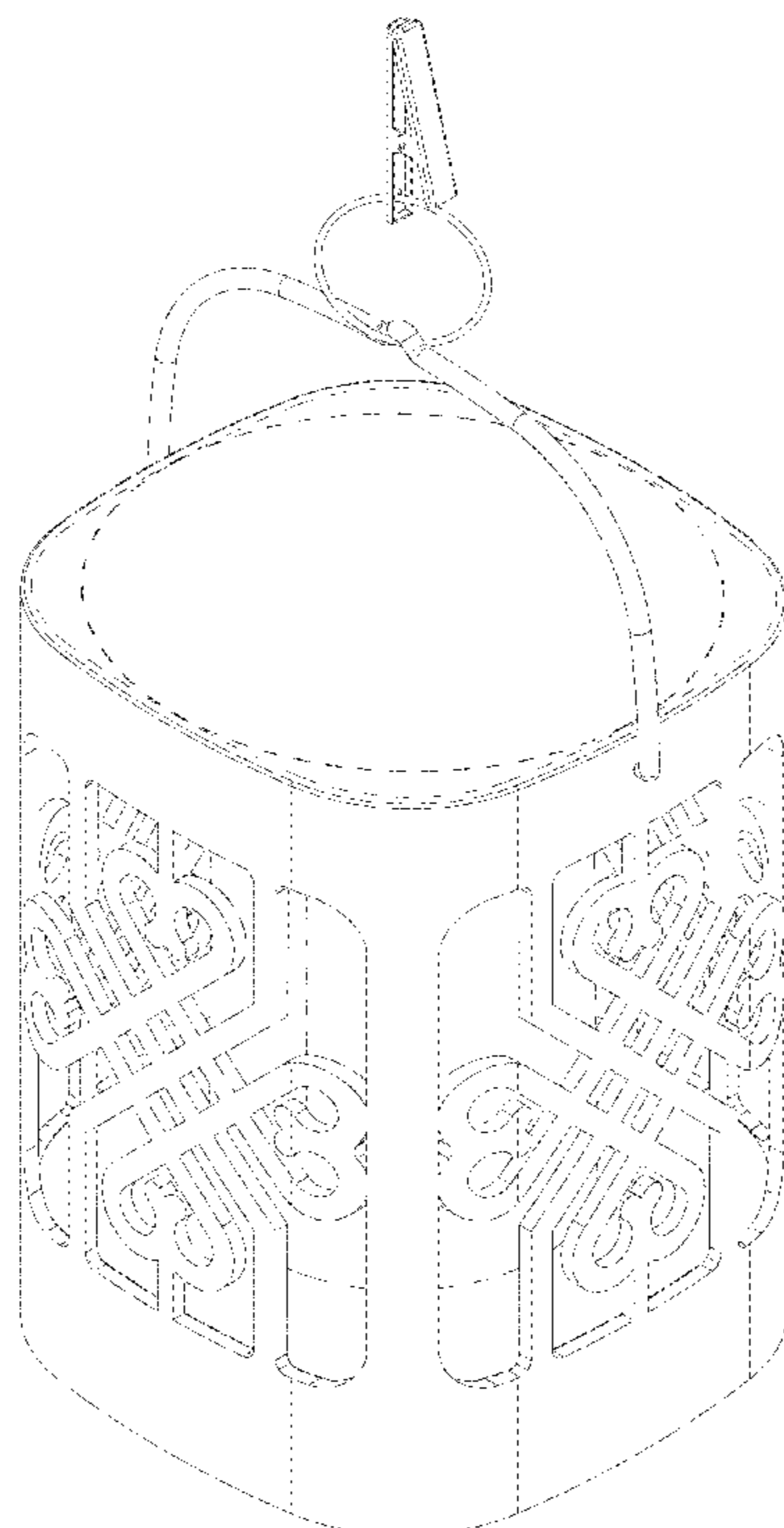
(56) **References Cited**

FIG. 1 is a front elevational view of a flame-effect lamp with Chinese knot pattern showing my new design; FIG. 2 is a rear elevational view thereof; FIG. 3 is a left side view thereof; FIG. 4 is a right side view thereof; FIG. 5 is a top plan view thereof; FIG. 6 is a bottom plan view thereof; and, FIG. 7 is a perspective view thereof. The broken lines shown on the drawings depict portions of the flame-effect lamp with Chinese knot pattern that form no part of the claimed design.

U.S. PATENT DOCUMENTS

D70,402 S *	6/1926	Chappel	D26/87
D76,367 S *	9/1928	Aspinwall	D26/87
D588,294 S *	3/2009	Flores	D26/67
D646,427 S *	10/2011	Chen	D26/87
D693,955 S *	11/2013	Yang	D26/85
D693,956 S *	11/2013	Yang	D26/85
D848,043 S *	5/2019	Zhuo	D26/41
D851,315 S *	6/2019	Chen	D26/67
10,323,809 B1 *	6/2019	Dai	F21S 8/081
D863,655 S *	10/2019	Huang	D26/110

1 Claim, 7 Drawing Sheets



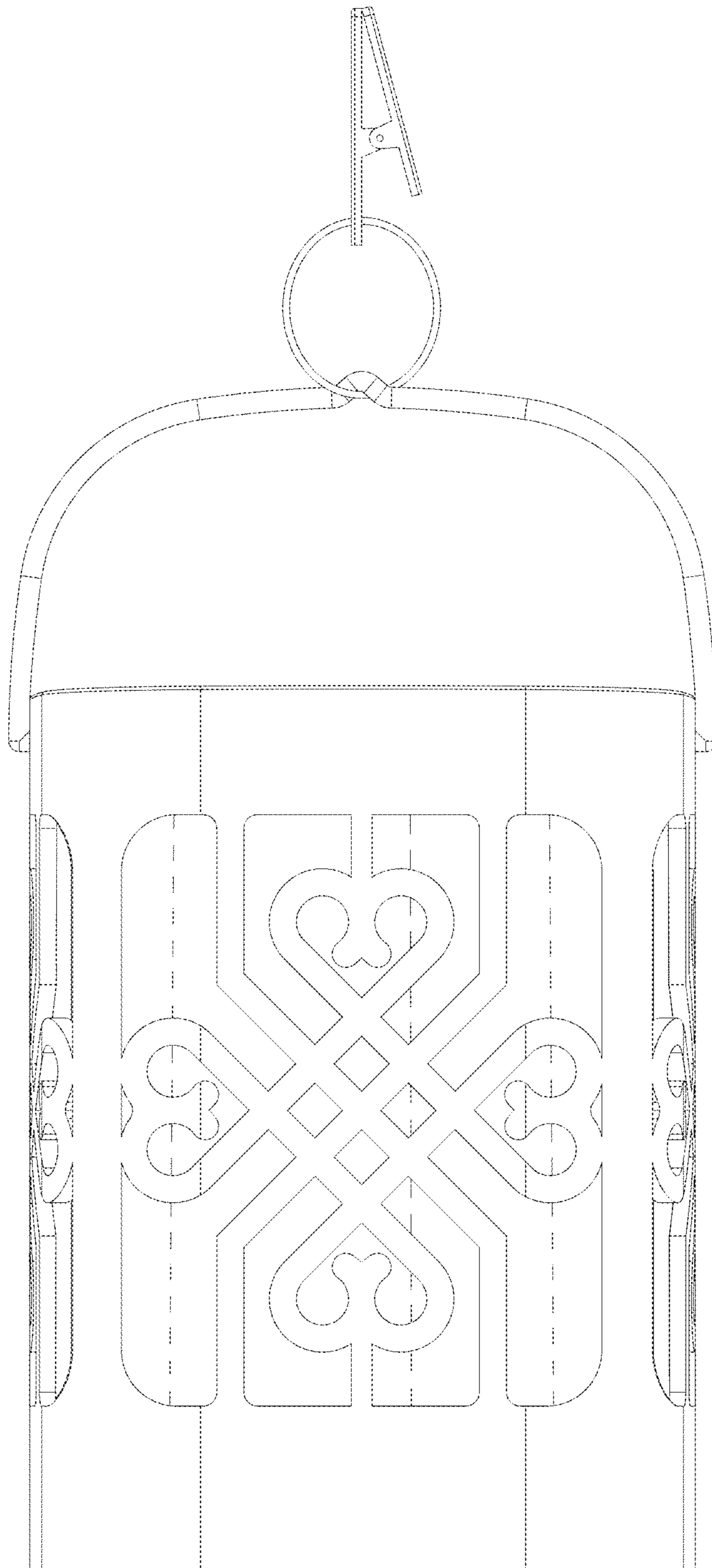


FIG. 1

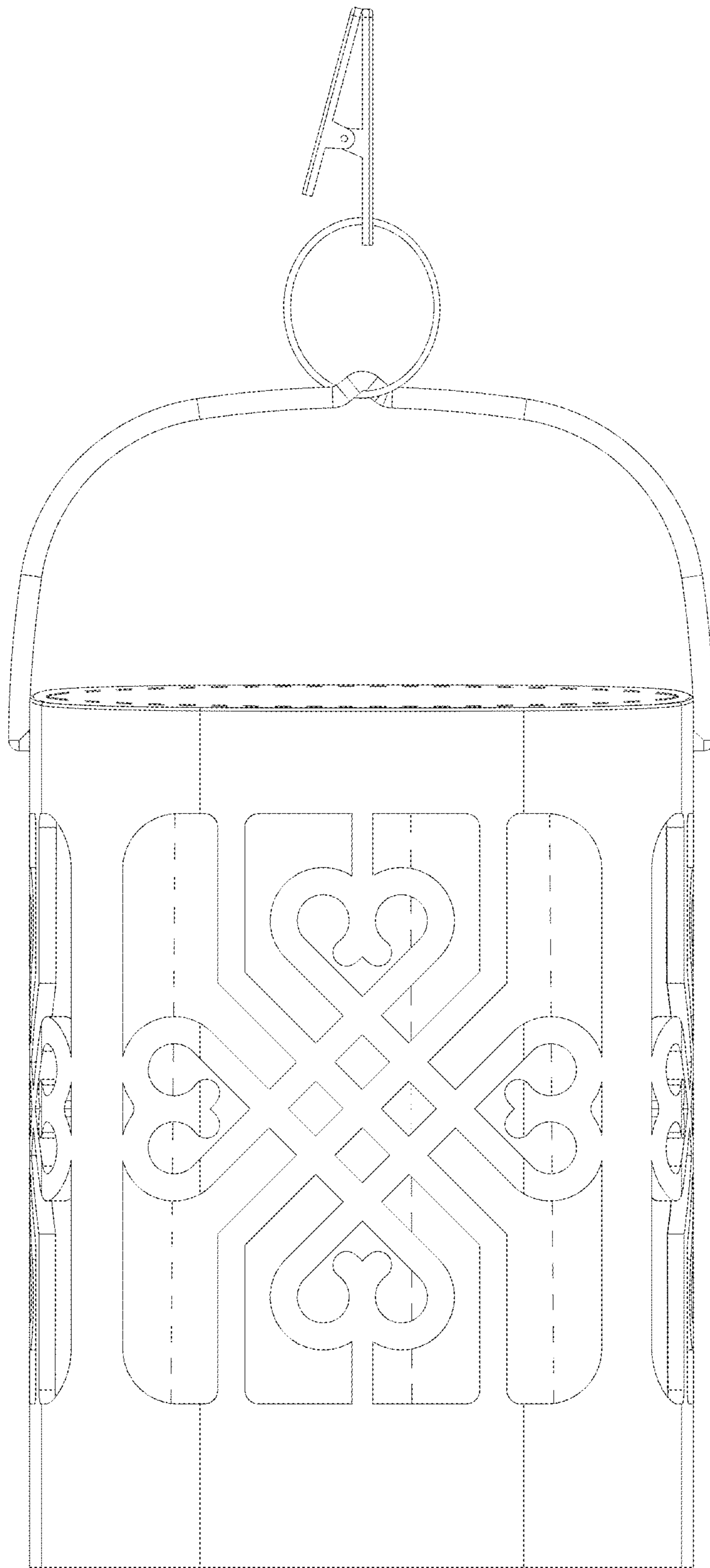


FIG. 2

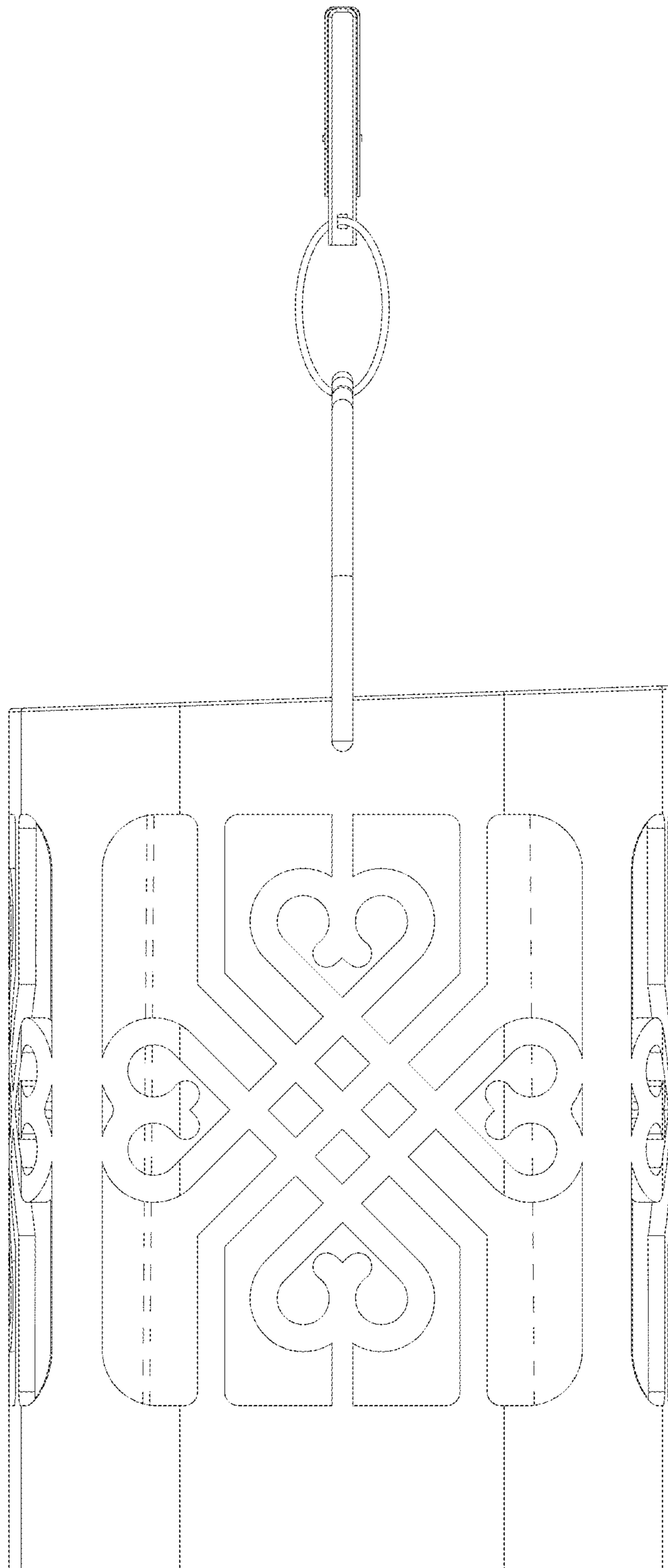


FIG. 3

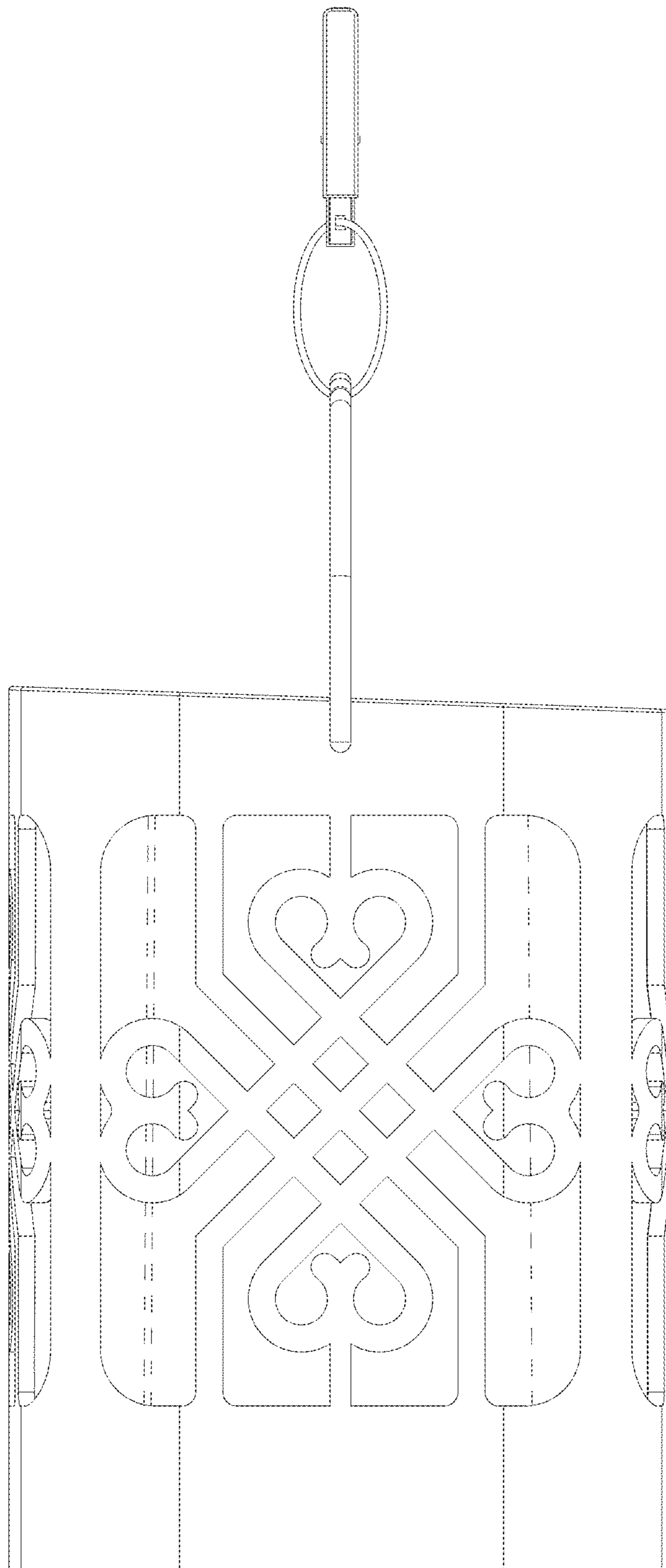


FIG. 4

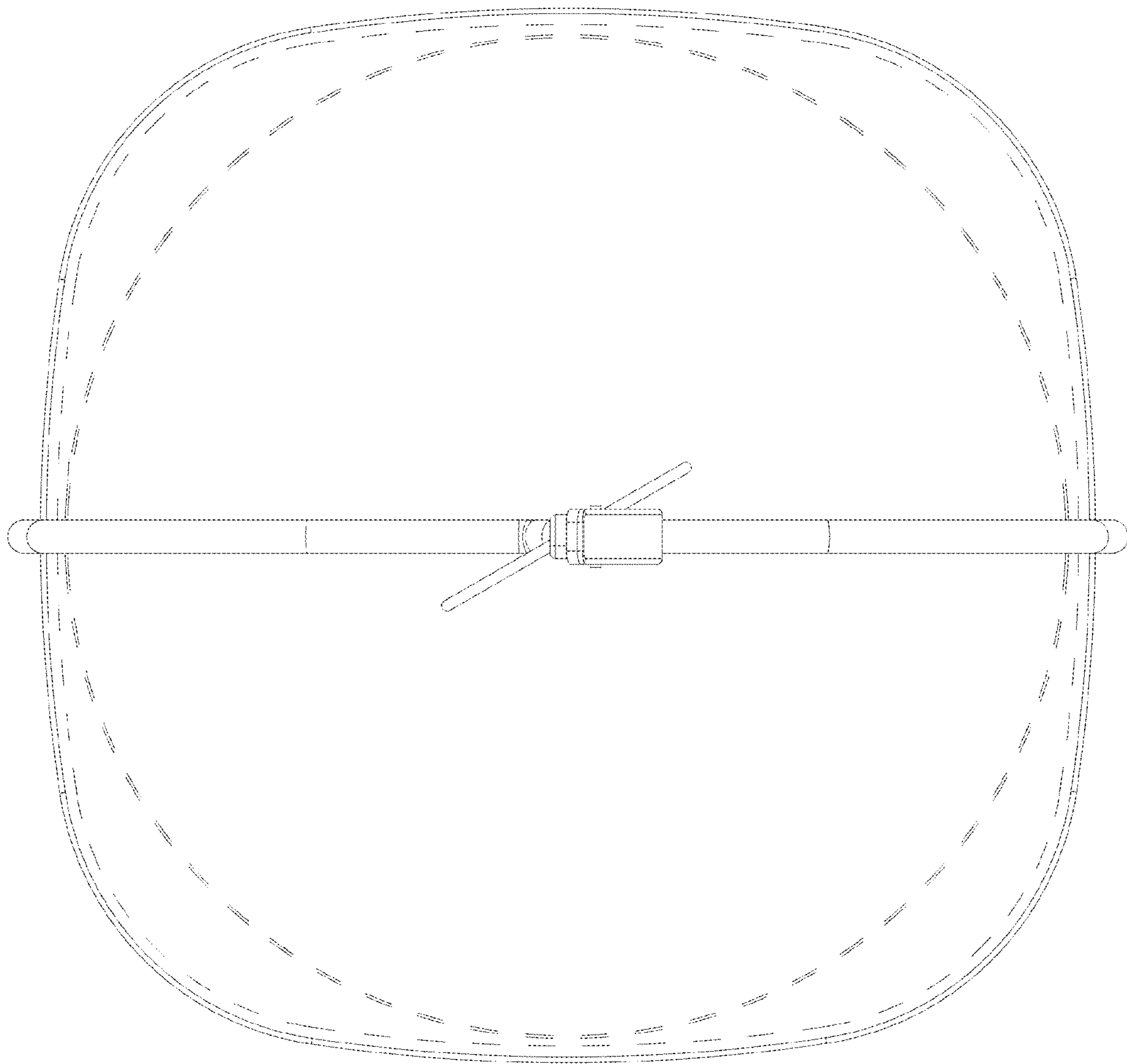


FIG. 5

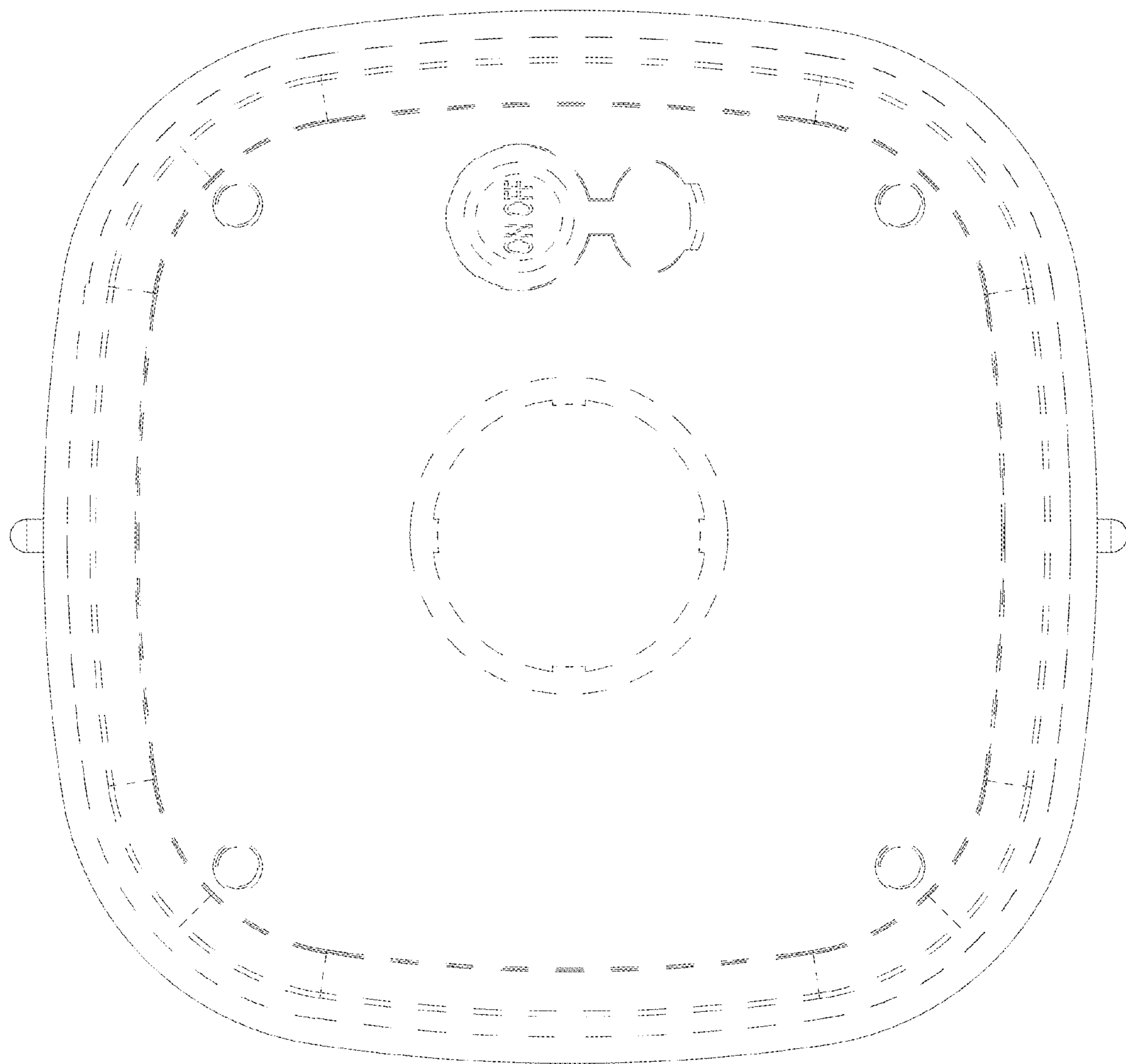


FIG. 6

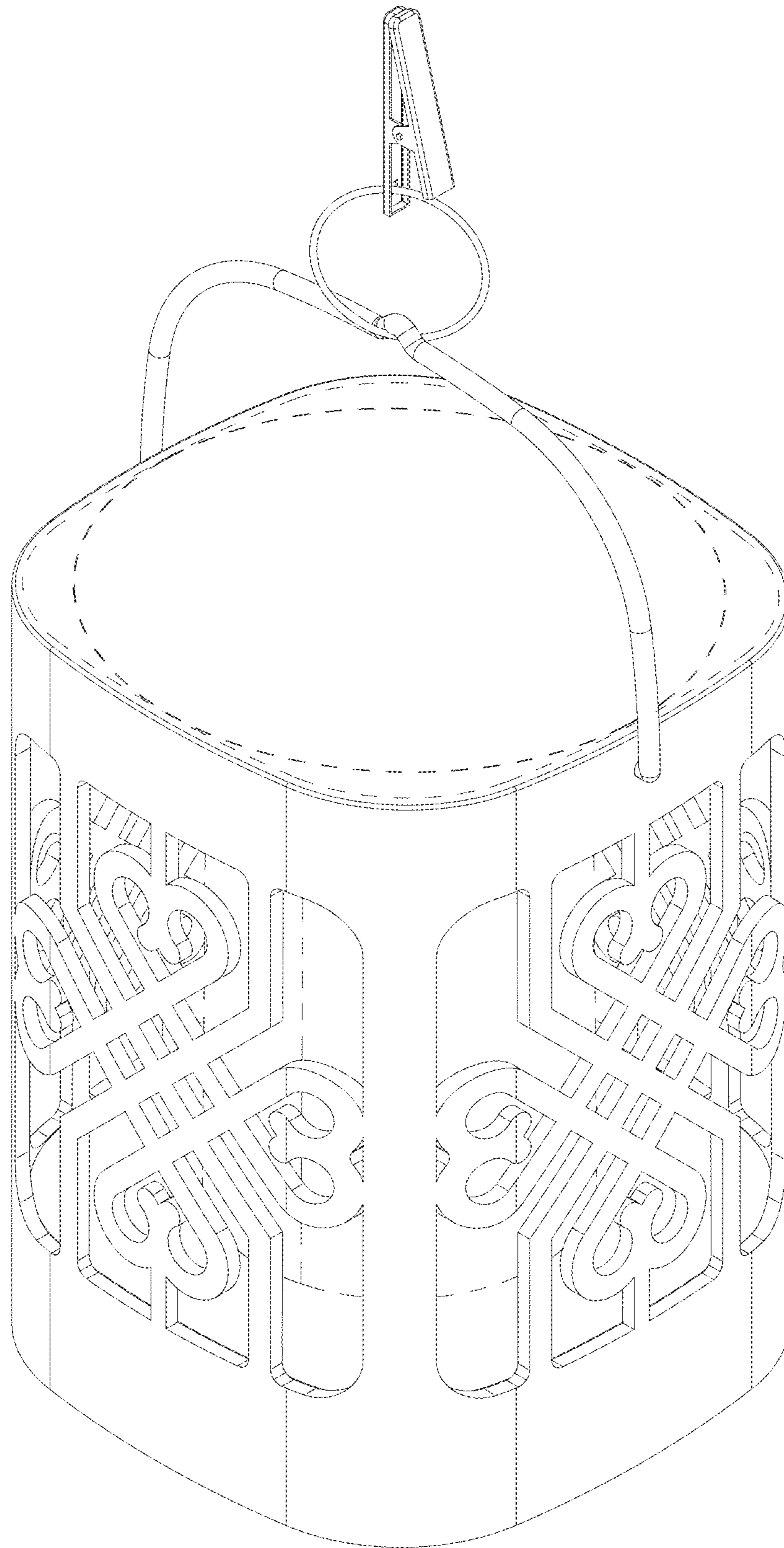


FIG. 7