



US00D918456S

(12) **United States Design Patent**
Hillyard

(10) **Patent No.:** **US D918,456 S**

(45) **Date of Patent:** **** May 4, 2021**

- (54) **SPA SCONCE LIGHT**
- (71) Applicant: **Waterway Plastics**, Oxnard, CA (US)
- (72) Inventor: **Jason Hillyard**, Fillmore, CA (US)
- (73) Assignee: **Waterway Plastics**, Oxnard, CA (US)
- (**) Term: **15 Years**

D646,006 S *	9/2011	Stolte	D26/26
D678,587 S *	3/2013	Fang	D26/80
D772,444 S *	11/2016	Walker	D26/26
D867,646 S *	11/2019	Flindt	D26/85
D876,677 S *	2/2020	Chen	D26/26
D895,880 S *	9/2020	Liu	D26/85
D906,568 S *	12/2020	Wu	D26/72
D906,569 S *	12/2020	Wu	D26/72
2015/0131267 A1 *	5/2015	Walker	F21S 8/00 362/101

- (21) Appl. No.: **29/681,461**
- (22) Filed: **Feb. 26, 2019**
- (51) **LOC (13) Cl.** **26-05**
- (52) **U.S. Cl.**
USPC **D26/85**
- (58) **Field of Classification Search**
USPC D10/106.6, 106.8; D26/24, 26, 51, 60,
D26/72, 78, 80, 81, 82, 85, 86, 88
CPC F21S 8/03; F21S 8/003; F21S 8/024; F21S
8/036; F21S 8/037; F21S 9/022; F21S
9/024; F21S 9/03; F21S 9/037; F21S
13/02; F21S 13/10; F21S 13/14; F21W
2131/107; F21W 2131/401; F21W
2131/411; G08B 13/193
See application file for complete search history.

(56) **References Cited**

U.S. PATENT DOCUMENTS

D44,564 S *	8/1913	Hamm	D26/128
D569,030 S *	5/2008	Lee	D26/85
D612,974 S *	3/2010	Guercio	D26/85
D617,491 S *	6/2010	Dordoni	D26/85
D617,492 S *	6/2010	Dordoni	D26/85
D639,985 S *	6/2011	Stolte	D26/26

OTHER PUBLICATIONS

Button Sconce Light (available online) Retrieved from the internet Jun. 25, 2020 from URL: <https://waterwayplastics.com/product/led-hourglass-sconce-light-sgms-button-sconce-light/>.*

* cited by examiner

Primary Examiner — Kevin K Rudzinski

Assistant Examiner — Richard Kearney

(74) *Attorney, Agent, or Firm* — Sandy Lipkin

(57) **CLAIM**

The ornamental design for spa sconce light, as shown and described.

DESCRIPTION

FIG. 1 is a perspective view of the spa sconce light.

FIG. 2 is a front view of the spa sconce light.

FIG. 3 is a first side view of the spa sconce light.

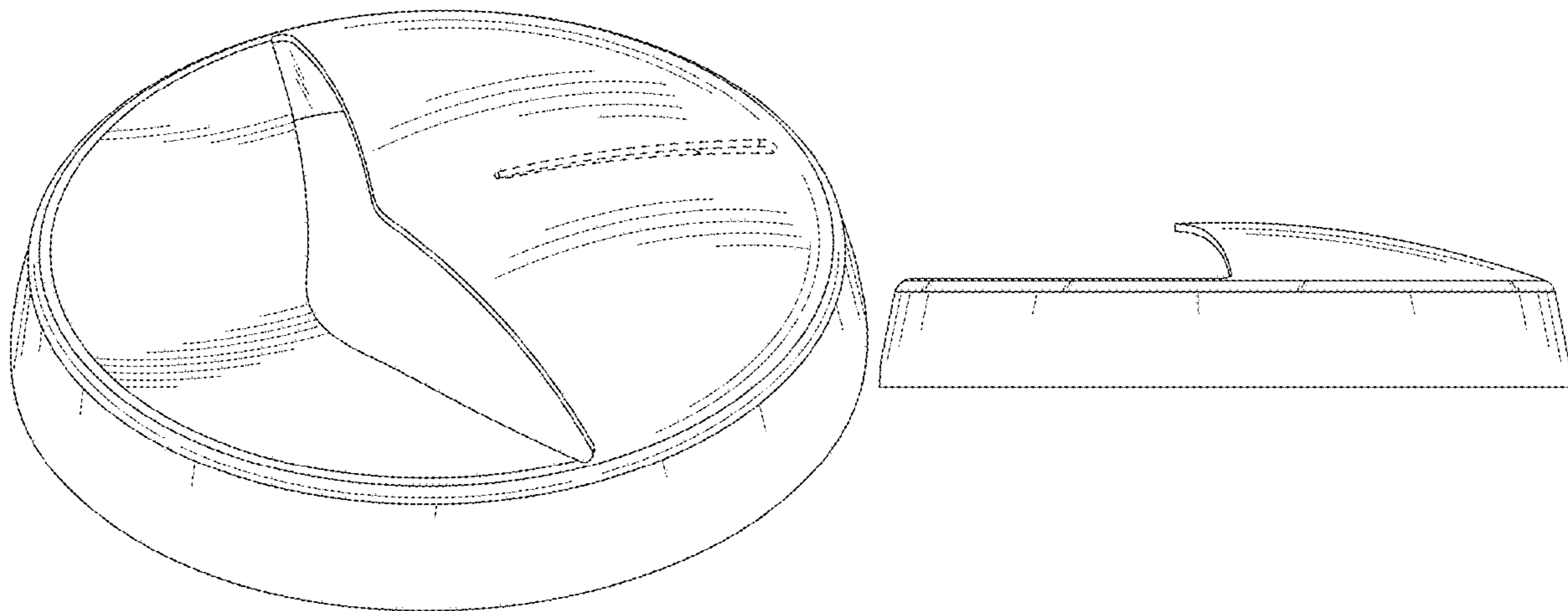
FIG. 4 is a second side view of the spa sconce light.

FIG. 5 is a bottom view of the spa sconce light; and,

FIG. 6 is a top view of the spa sconce light.

The broken lines shown in the drawings illustrate portions of the article and form no part of the claimed design.

1 Claim, 6 Drawing Sheets



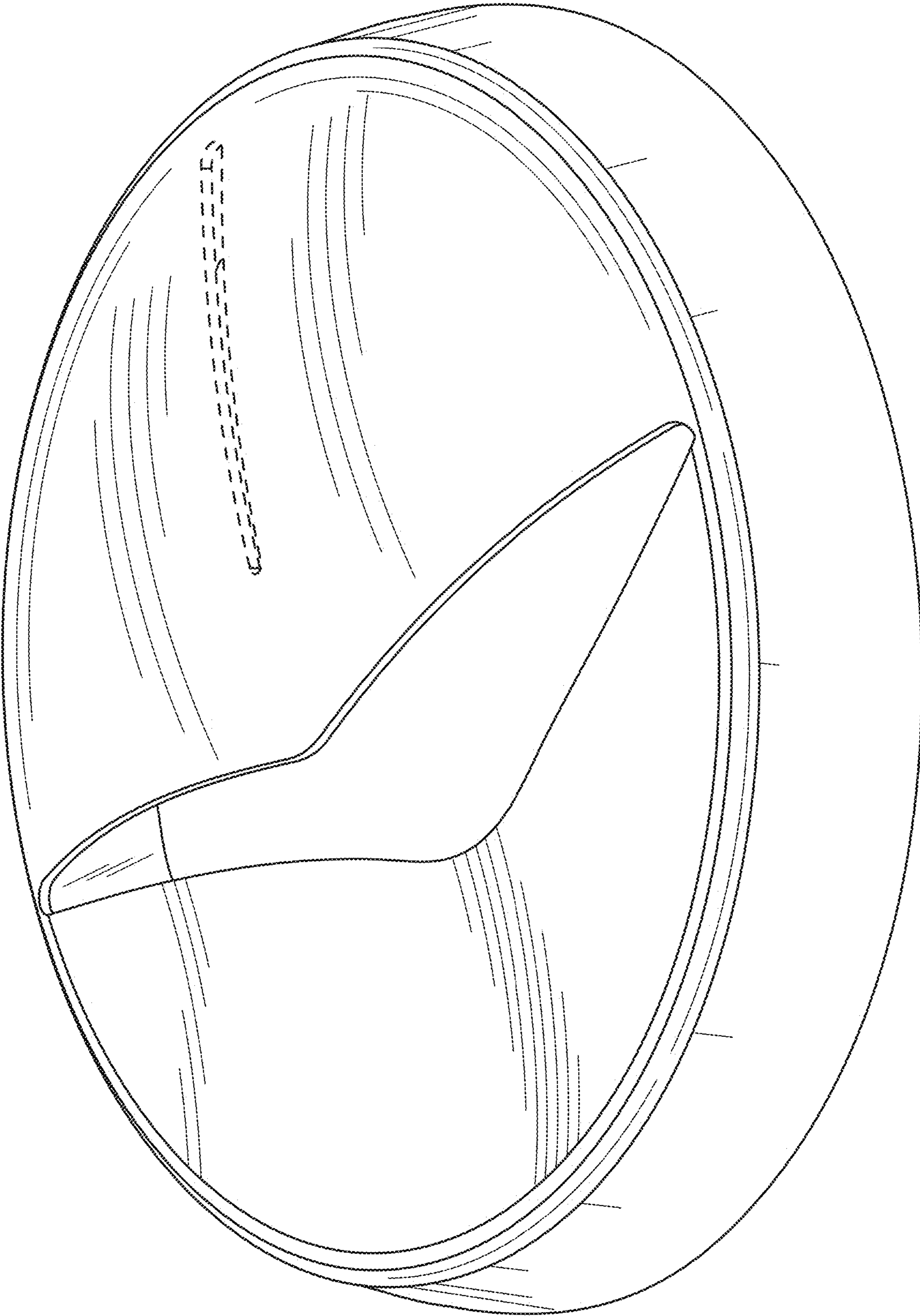


FIG. 1

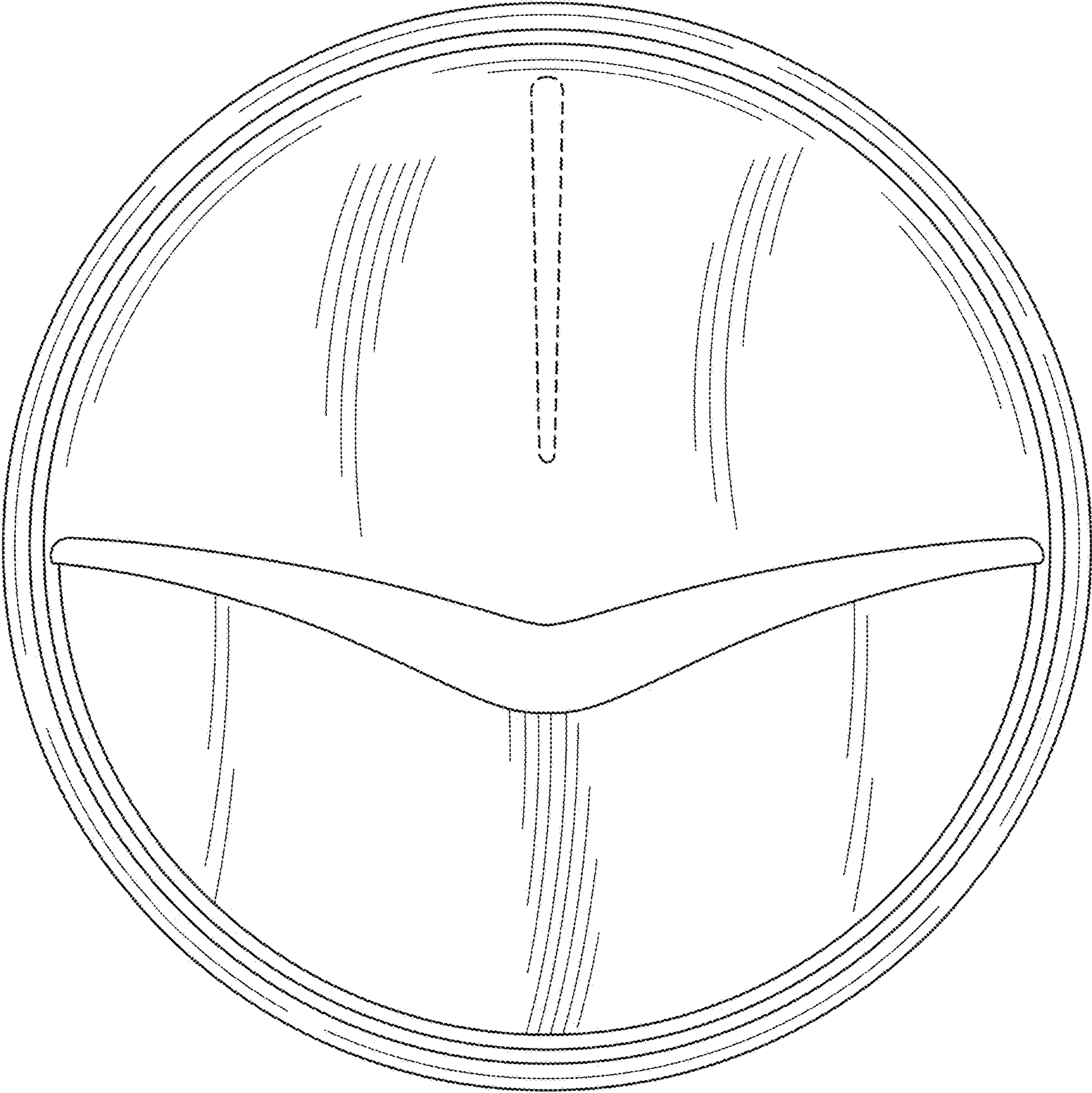


FIG. 2

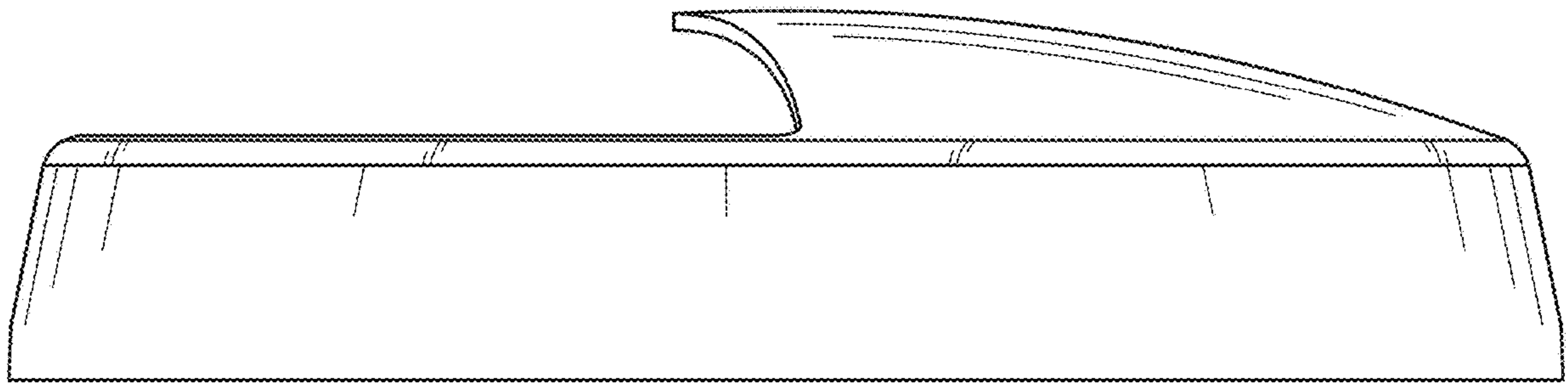


FIG. 3

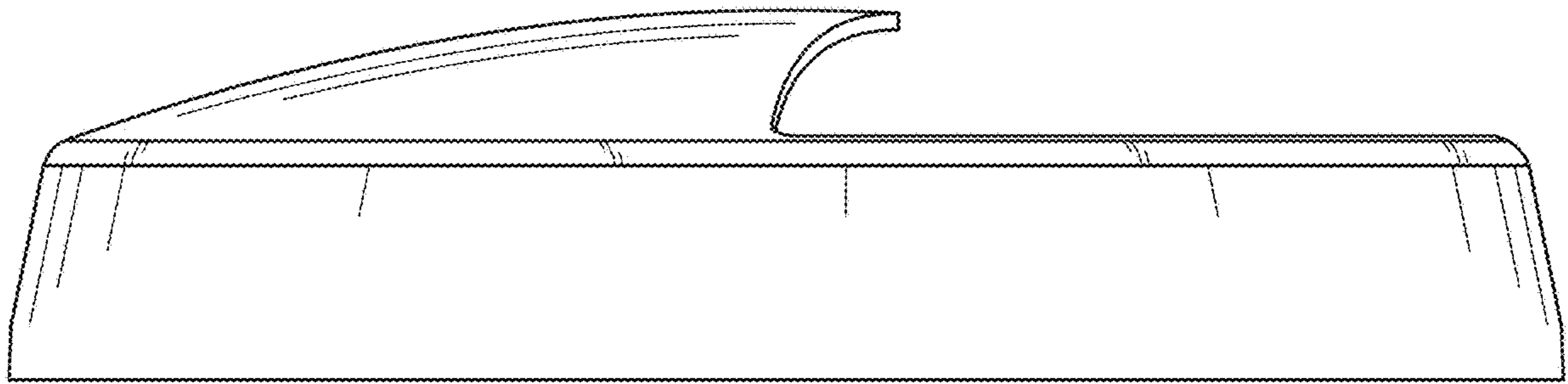


FIG. 4

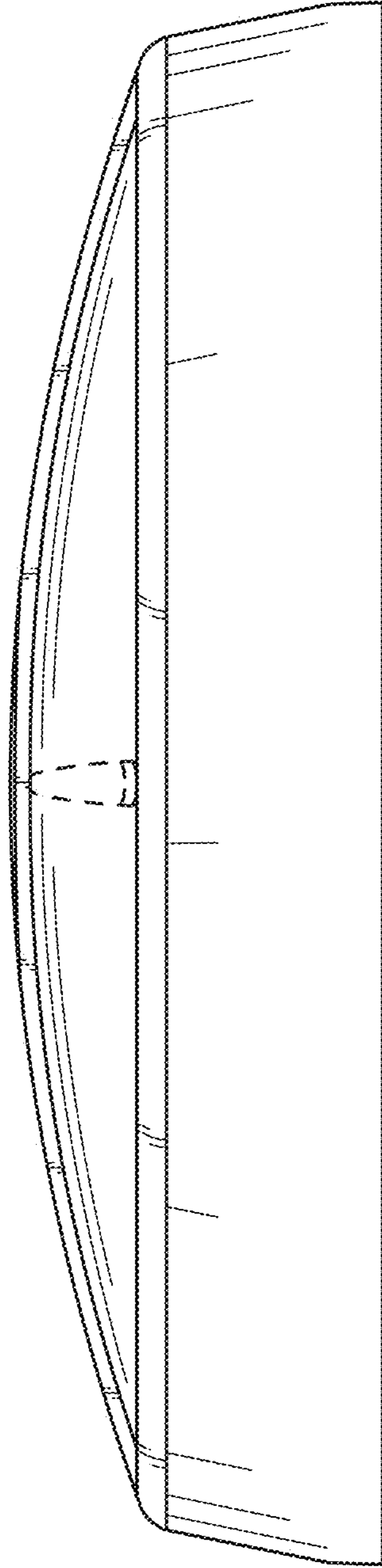


FIG. 5

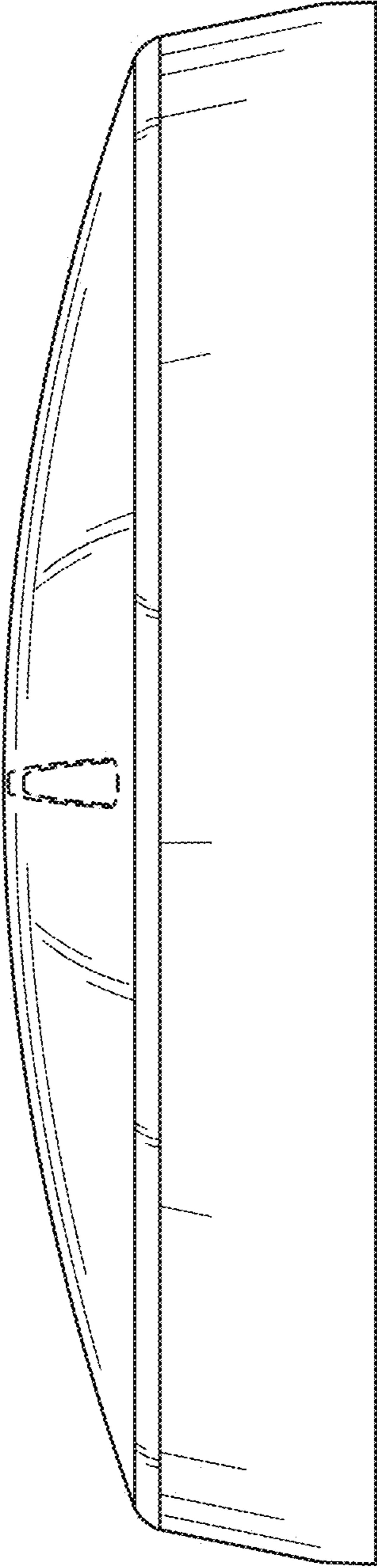


FIG. 6