



US00D918453S

(12) **United States Design Patent**
Rang

(10) **Patent No.:** **US D918,453 S**

(45) **Date of Patent:** **** May 4, 2021**

(54) **SPOTLIGHT**

(71) Applicant: **Hongwei Rang**, Guangdong (CN)

(72) Inventor: **Hongwei Rang**, Guangdong (CN)

(73) Assignee: **Dongguan Hongfu Lighting Technology Co., Ltd.**, Guangdong (CN)

(**) Term: **15 Years**

(21) Appl. No.: **29/696,482**

(22) Filed: **Jun. 27, 2019**

(51) **LOC (13) Cl.** **26-03**

(52) **U.S. Cl.**
USPC **D26/63**

(58) **Field of Classification Search**
USPC D26/1, 24, 61, 63, 65, 85, 92, 118
CPC F21V 21/14; F21V 15/01; F21V 14/02;
F21V 21/30; F21V 21/00; F21V 14/00;
F21S 8/00; F21S 8/003; F21S 8/043;
F21Y 2105/001

See application file for complete search history.

(56) **References Cited**

U.S. PATENT DOCUMENTS

D762,902 S * 8/2016 Ke D26/63
D797,339 S * 9/2017 Wang D26/63

D799,729 S * 10/2017 Zhong D26/63
D842,520 S * 3/2019 Brandrup D26/63
D858,840 S * 9/2019 Deng D26/63
D887,056 S * 6/2020 Moller D26/63
D887,609 S * 6/2020 Wu D26/63
D893,788 S * 8/2020 Li D26/63
D898,969 S * 10/2020 Chen D26/63
D898,970 S * 10/2020 Chen D26/63
D901,055 S * 11/2020 Zeng D26/63
D903,175 S * 11/2020 Lei D26/63
D903,917 S * 12/2020 Pietschmann D26/63

* cited by examiner

Primary Examiner — Brian N. Vinson

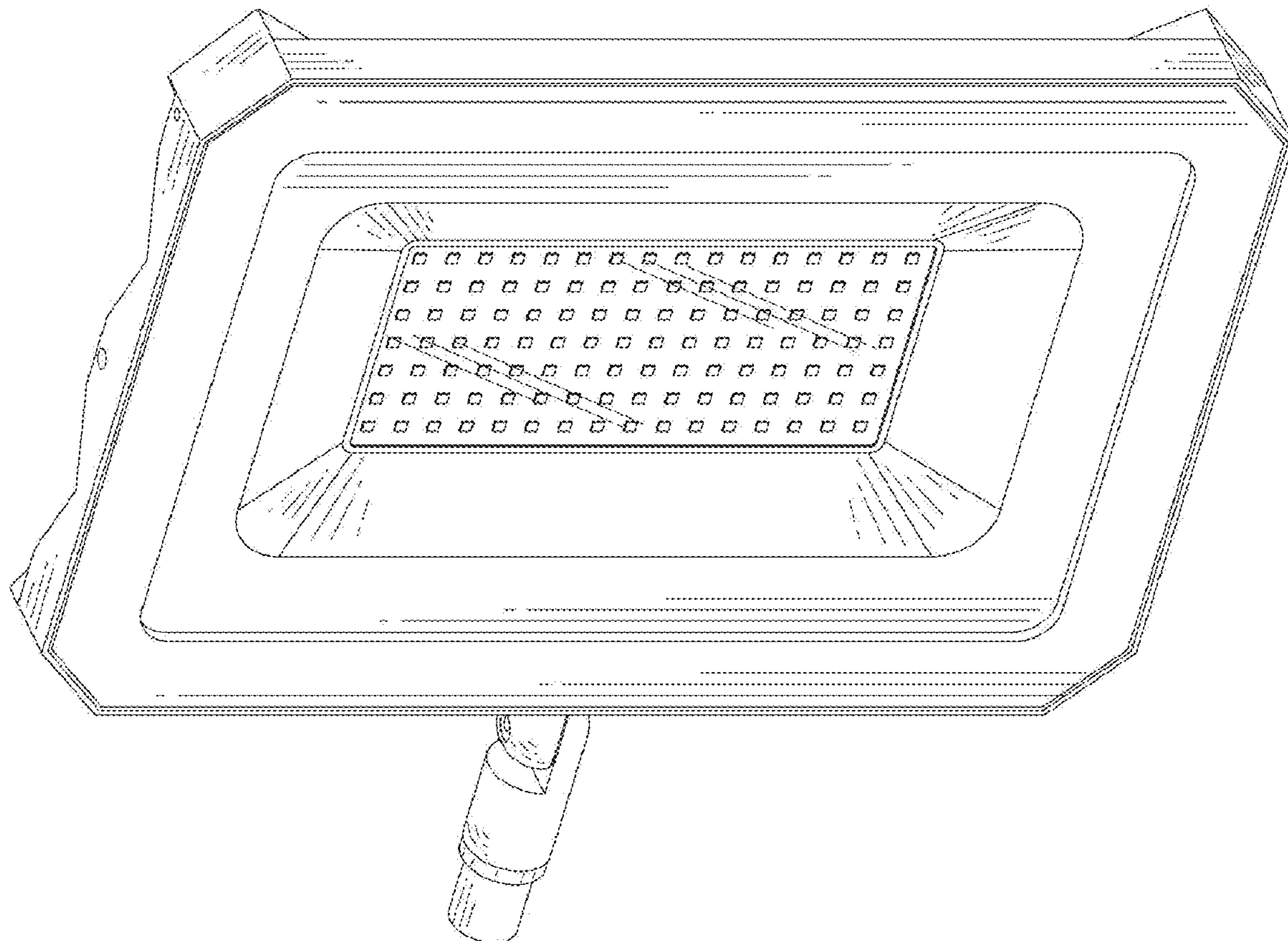
(57) **CLAIM**

The ornamental design for a spotlight, as shown and described.

DESCRIPTION

FIG. 1 is a front, left side and top perspective view of a spotlight showing my new design;
FIG. 2 is a rear and right side perspective view thereof;
FIG. 3 is a front elevation view thereof;
FIG. 4 is a rear elevation view thereof;
FIG. 5 is a left side elevation view thereof;
FIG. 6 is a right side elevation view thereof;
FIG. 7 is a top plan view thereof; and,
FIG. 8 is a bottom plan view thereof.

1 Claim, 8 Drawing Sheets



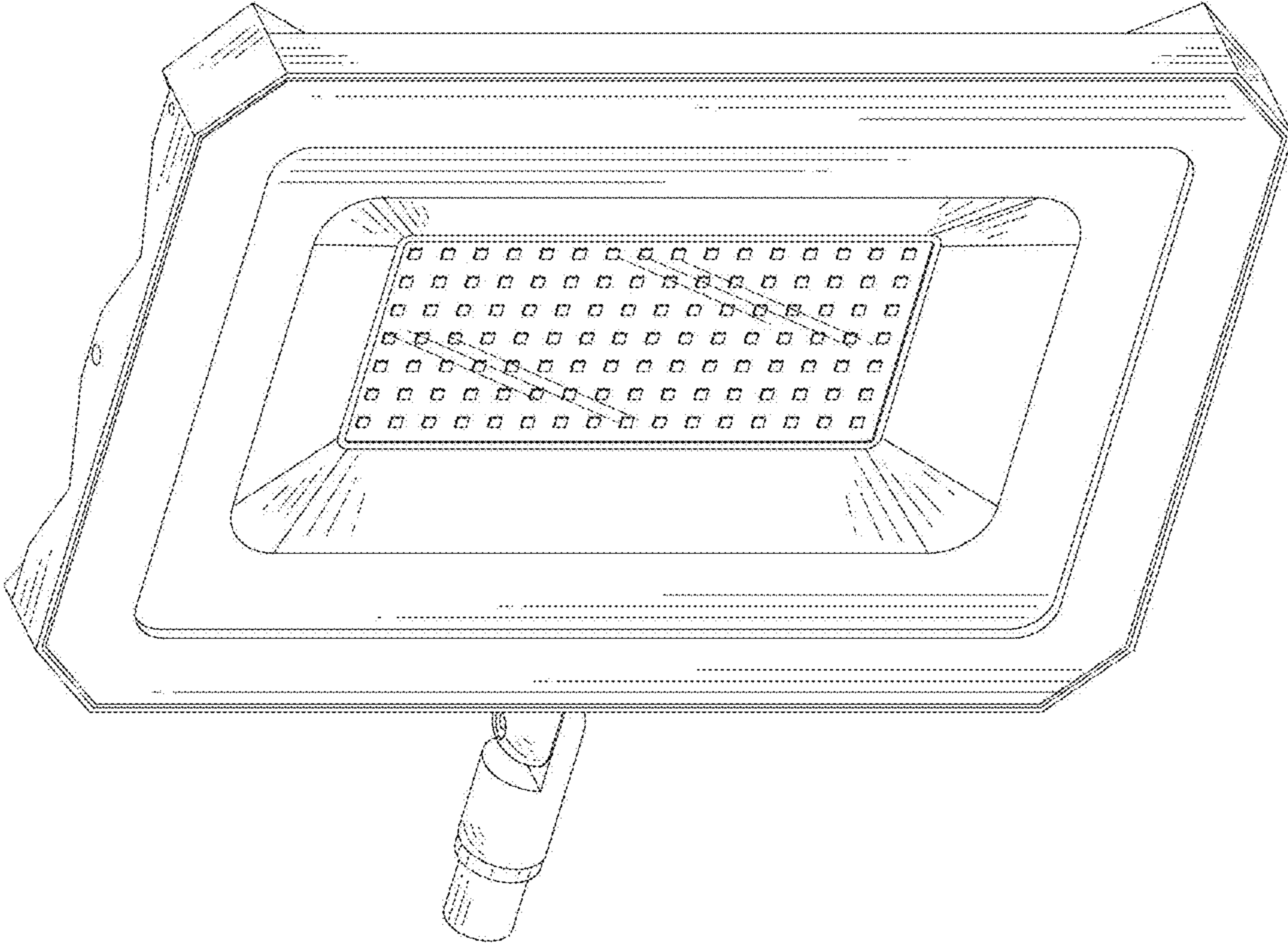


FIG.1

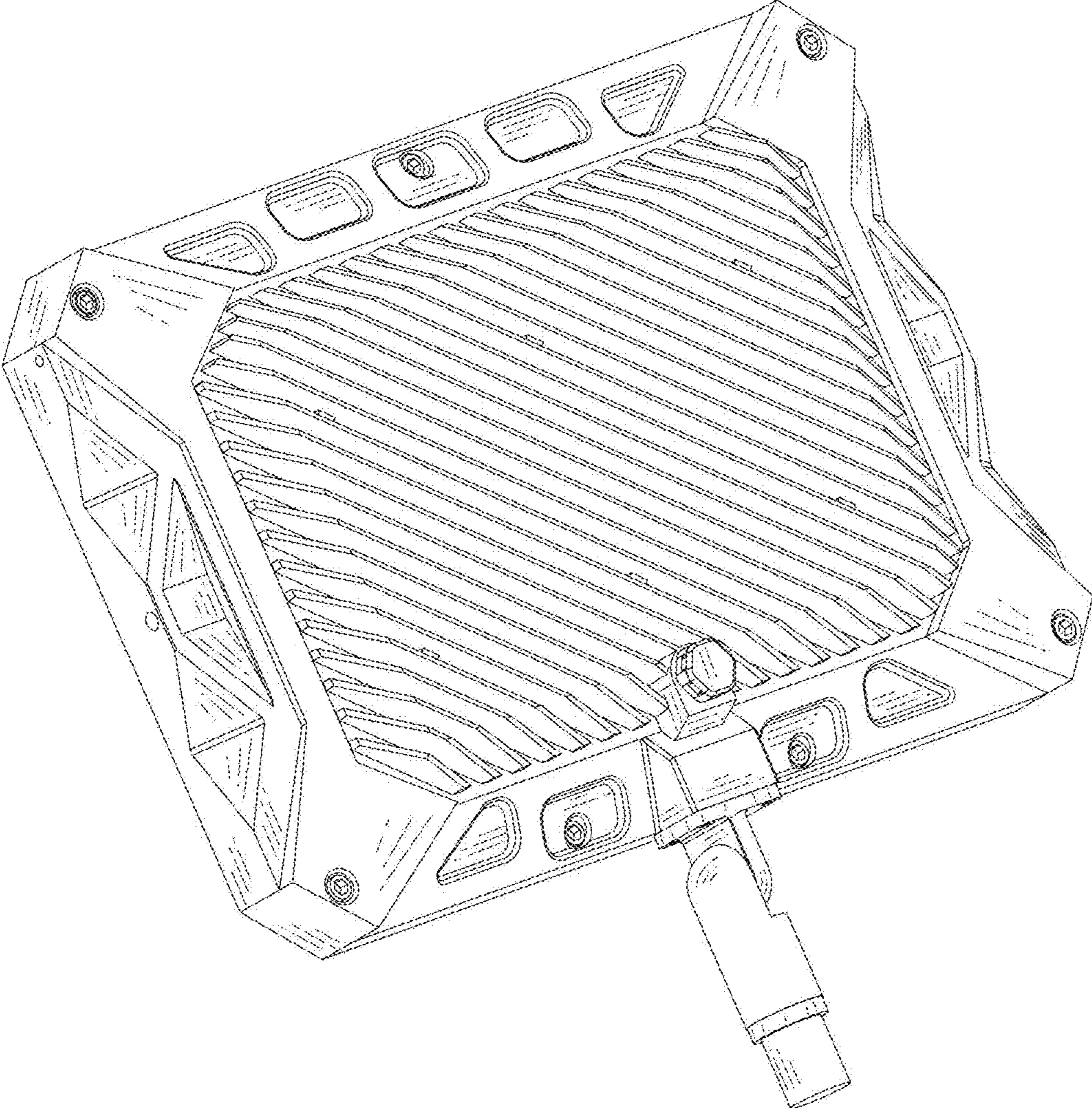


FIG.2

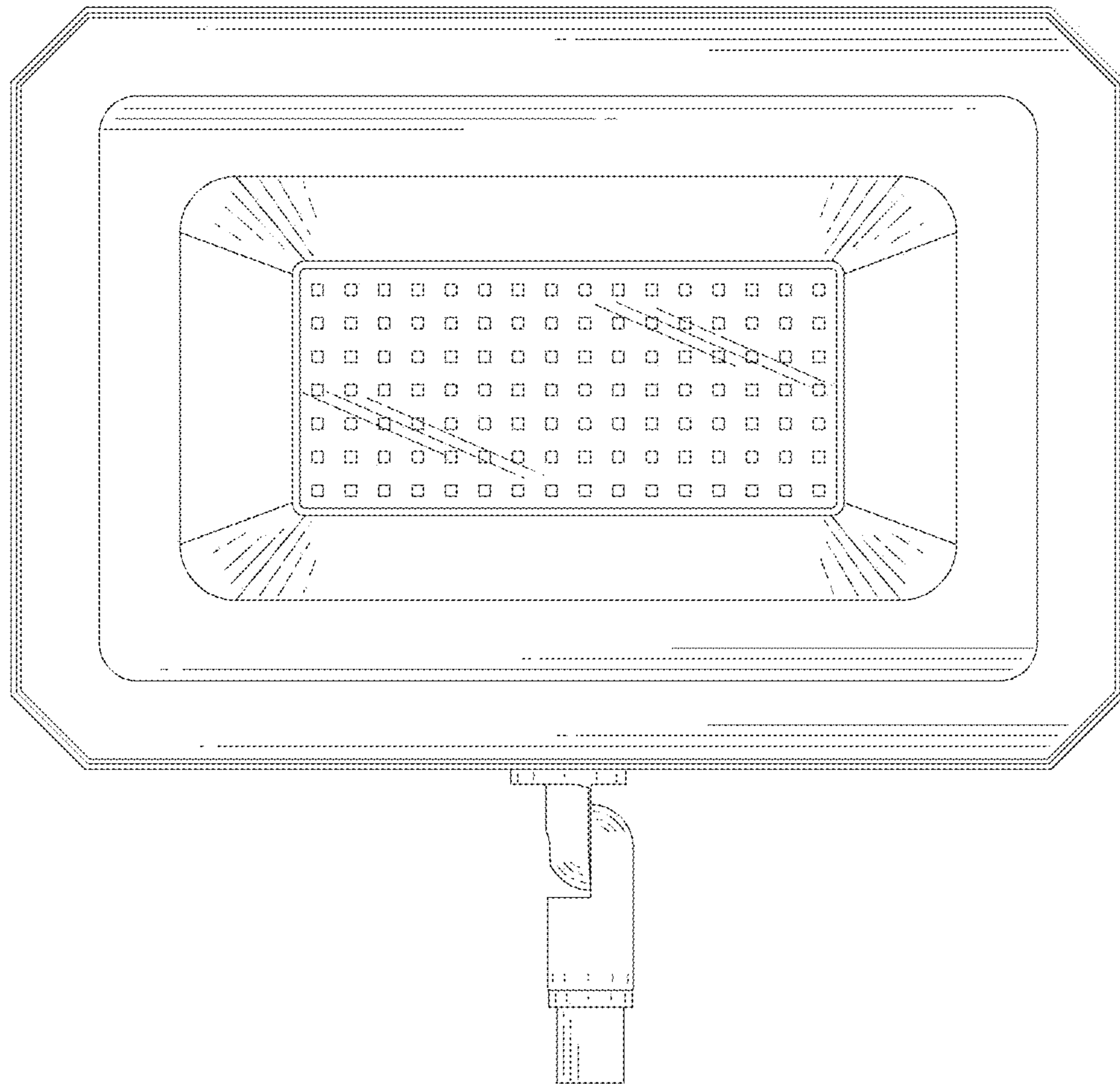


FIG.3

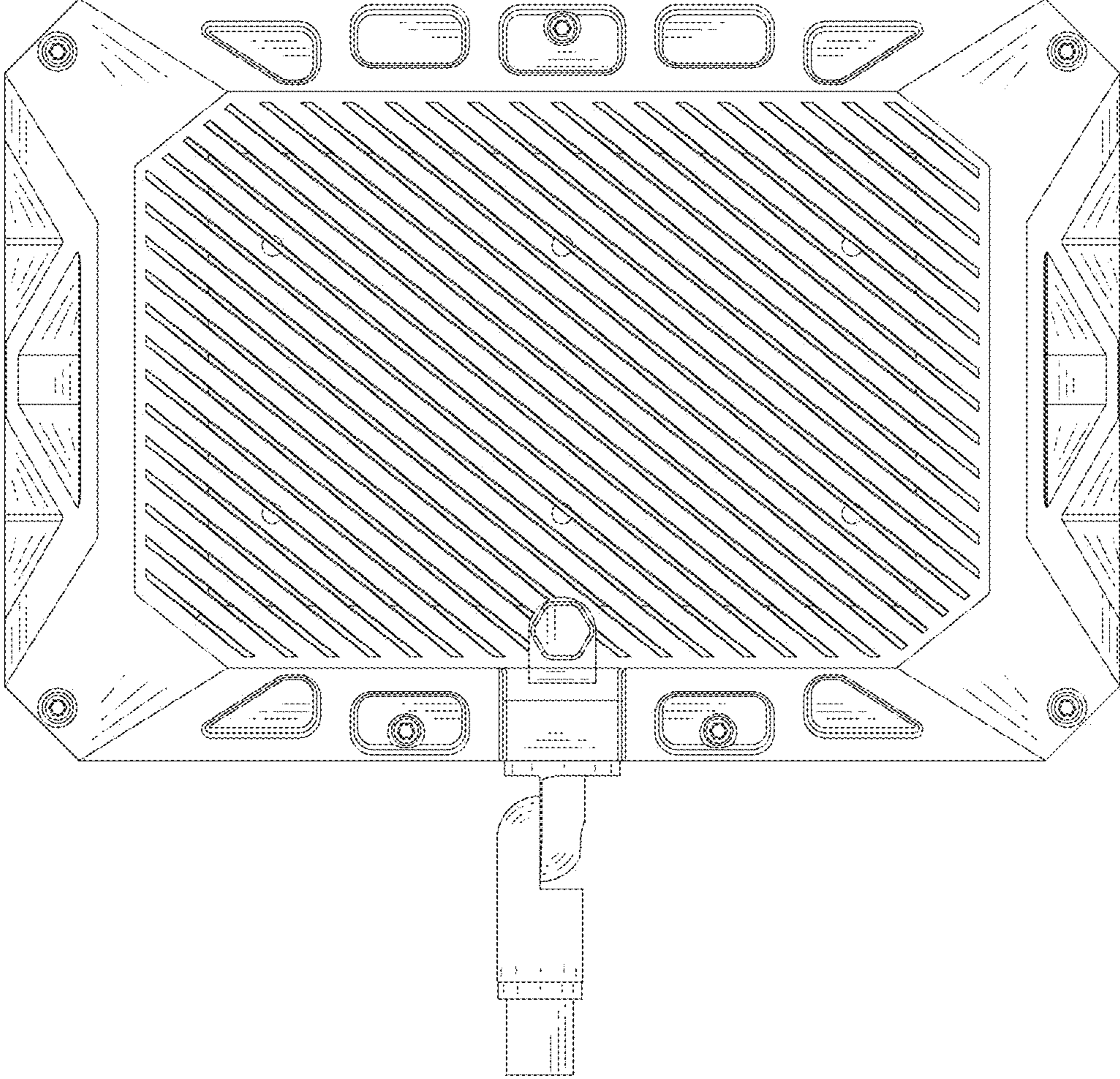


FIG.4

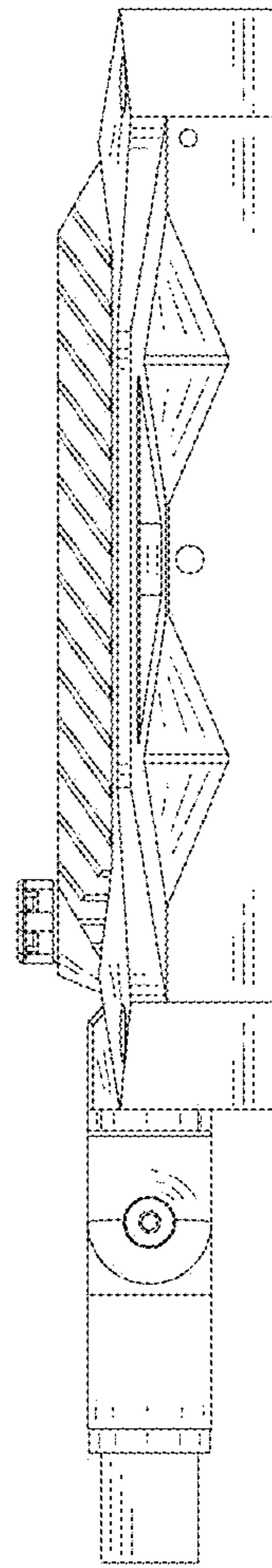


FIG. 5

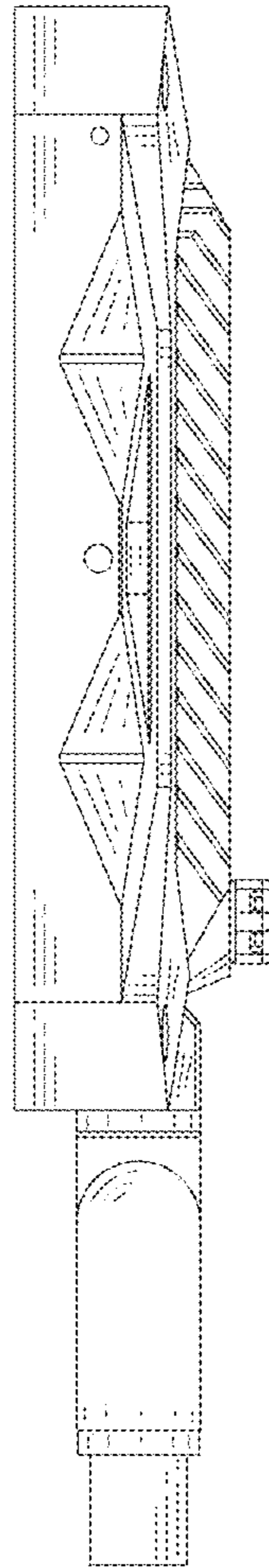


FIG. 6

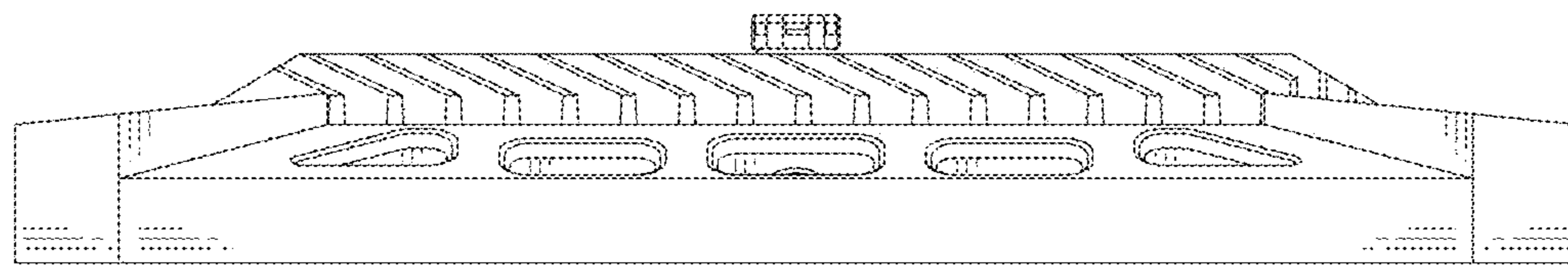


FIG. 7

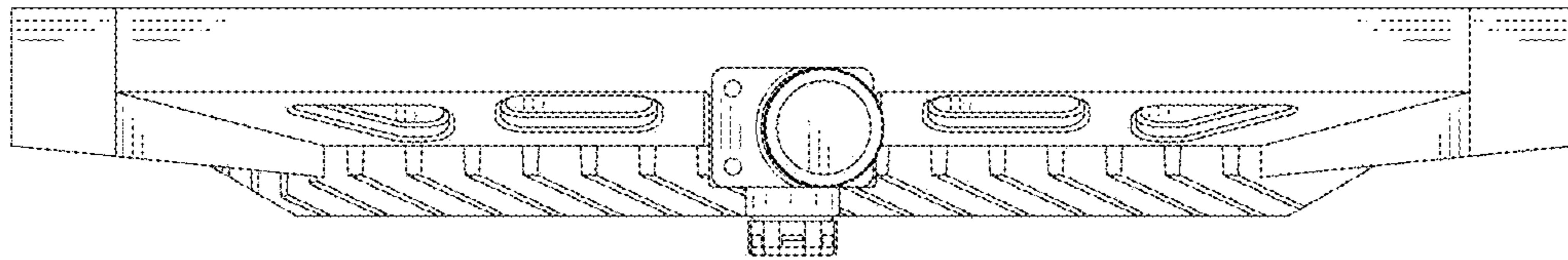


FIG. 8