



US00D918451S

(12) **United States Design Patent**
Shirota

(10) **Patent No.:** **US D918,451 S**

(45) **Date of Patent:** **** May 4, 2021**

- (54) **HEADLAMP FOR A BICYCLE**
- (71) Applicant: **Cateye Co., Ltd.**, Osaka (JP)
- (72) Inventor: **Ryuya Shirota**, Osaka (JP)
- (73) Assignee: **CATEYE CO., LTD.**, Osaka (JP)
- (**) Term: **15 Years**
- (21) Appl. No.: **29/705,545**

D609,379 S *	2/2010	Lee	D26/60
D646,818 S *	10/2011	Ueda	D26/60
D662,636 S *	6/2012	Katsaros	D26/60
D667,580 S *	9/2012	Lee	D26/60
D670,838 S *	11/2012	Ueda	D26/28
D696,804 S *	12/2013	Ma	D26/60
D733,948 S	7/2015	Liao et al.		
D735,381 S	7/2015	Lee		
D810,339 S *	2/2018	Peng	D26/60
D814,677 S *	4/2018	Sukphisit	D26/60
D867,630 S *	11/2019	Benoit	D26/28

(Continued)

(22) Filed: **Sep. 12, 2019**

FOREIGN PATENT DOCUMENTS

(30) **Foreign Application Priority Data**

TW	D176526 S	6/2016
TW	D185129 S	8/2017

Apr. 23, 2019 (JP) 2019-009067

(51) **LOC (13) Cl.** **26-05**

(52) **U.S. Cl.**
USPC **D26/60**

(58) **Field of Classification Search**
USPC D26/1, 24, 39, 60, 61-66, 72, 97; D8/72,
D8/73, 394, 396; D10/104.1, 106.1,
D10/114.1, 114.2, 114.3; 362/157, 171,
362/362, 365, 368, 370, 473, 474, 486
CPC F21W 2107/00; F21W 2107/13; F21W
2107/17; F21S 9/00; F21S 9/02; F21S
9/22; F21S 41/18; F21S 41/19; F21S
41/192-198; F21S 8/00; F21S 8/02; F21S
8/03; F21S 8/06; F21S 8/003; F21S
8/043; F21V 15/01; F21V 15/04

See application file for complete search history.

(56) **References Cited**

U.S. PATENT DOCUMENTS

D346,230 S *	4/1994	Ueda	D26/28
D498,550 S *	11/2004	Chen	D26/28
D523,984 S *	6/2006	Cai	D26/61
D541,447 S *	4/2007	Ueda	D26/28
D590,535 S *	4/2009	Wnek	D26/66
D608,483 S	1/2010	Lee		
D609,378 S	2/2010	Lee		

OTHER PUBLICATIONS

Notice of Allowance issued in Taiwanese Design Application No. 108305453 dated Feb. 10, 2020.

Primary Examiner — Wan Laymon
Assistant Examiner — Clint A Samuel
(74) *Attorney, Agent, or Firm* — Morgan, Lewis & Bockius LLP

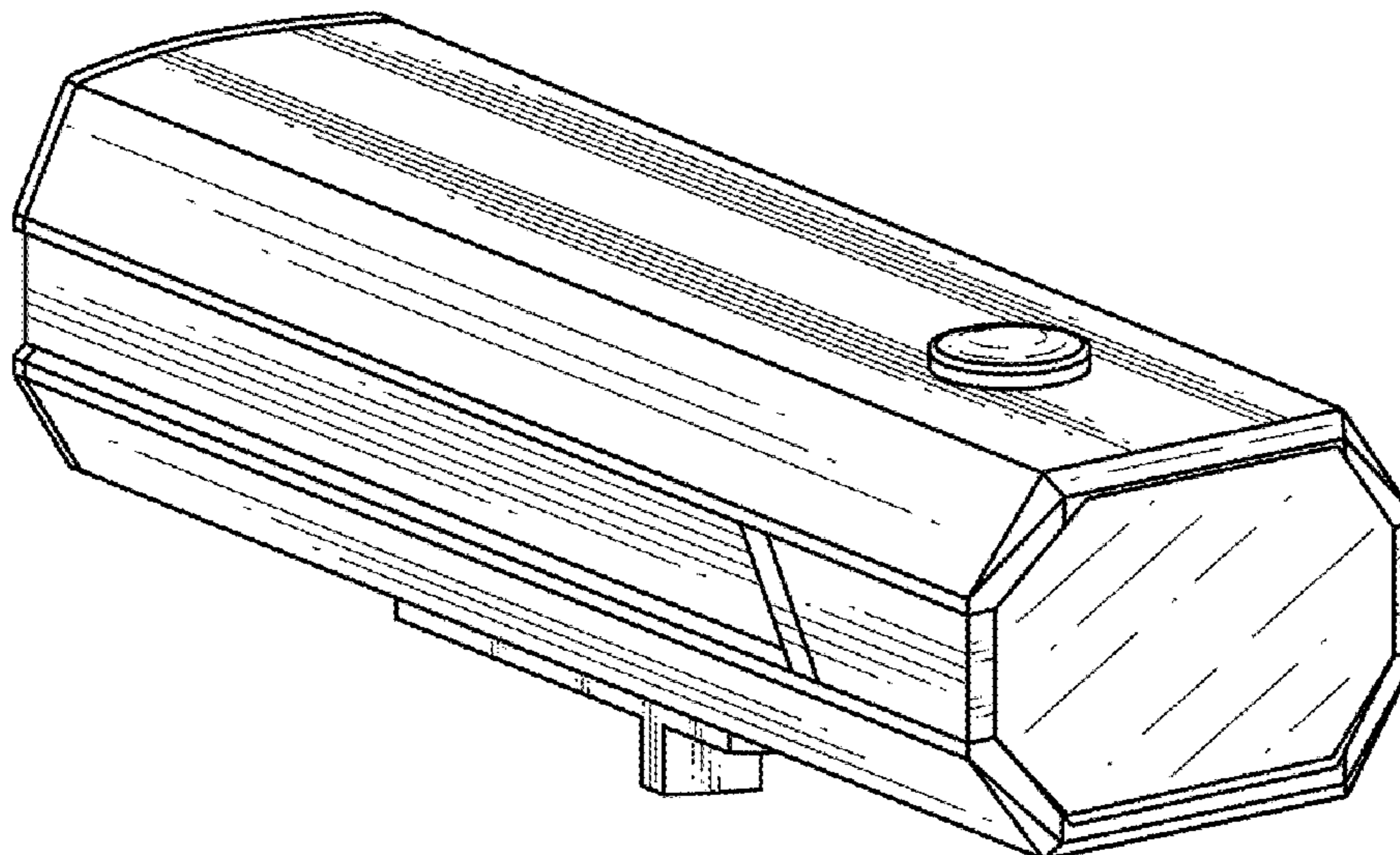
(57) **CLAIM**

The ornamental design for a headlamp for a bicycle, as shown.

DESCRIPTION

FIG. 1 is a perspective view of a headlamp for a bicycle showing my new design;
FIG. 2 is a front elevational view thereof;
FIG. 3 is a rear elevational view thereof;
FIG. 4 is a right side view thereof;
FIG. 5 is a left side view thereof;
FIG. 6 is a top plan view thereof; and,
FIG. 7 is a bottom plan view thereof.

1 Claim, 5 Drawing Sheets



(56)

References Cited

U.S. PATENT DOCUMENTS

D891,665 S * 7/2020 Nagano D26/60
2020/0269943 A1 * 8/2020 Mulvaney B62J 6/04

* cited by examiner

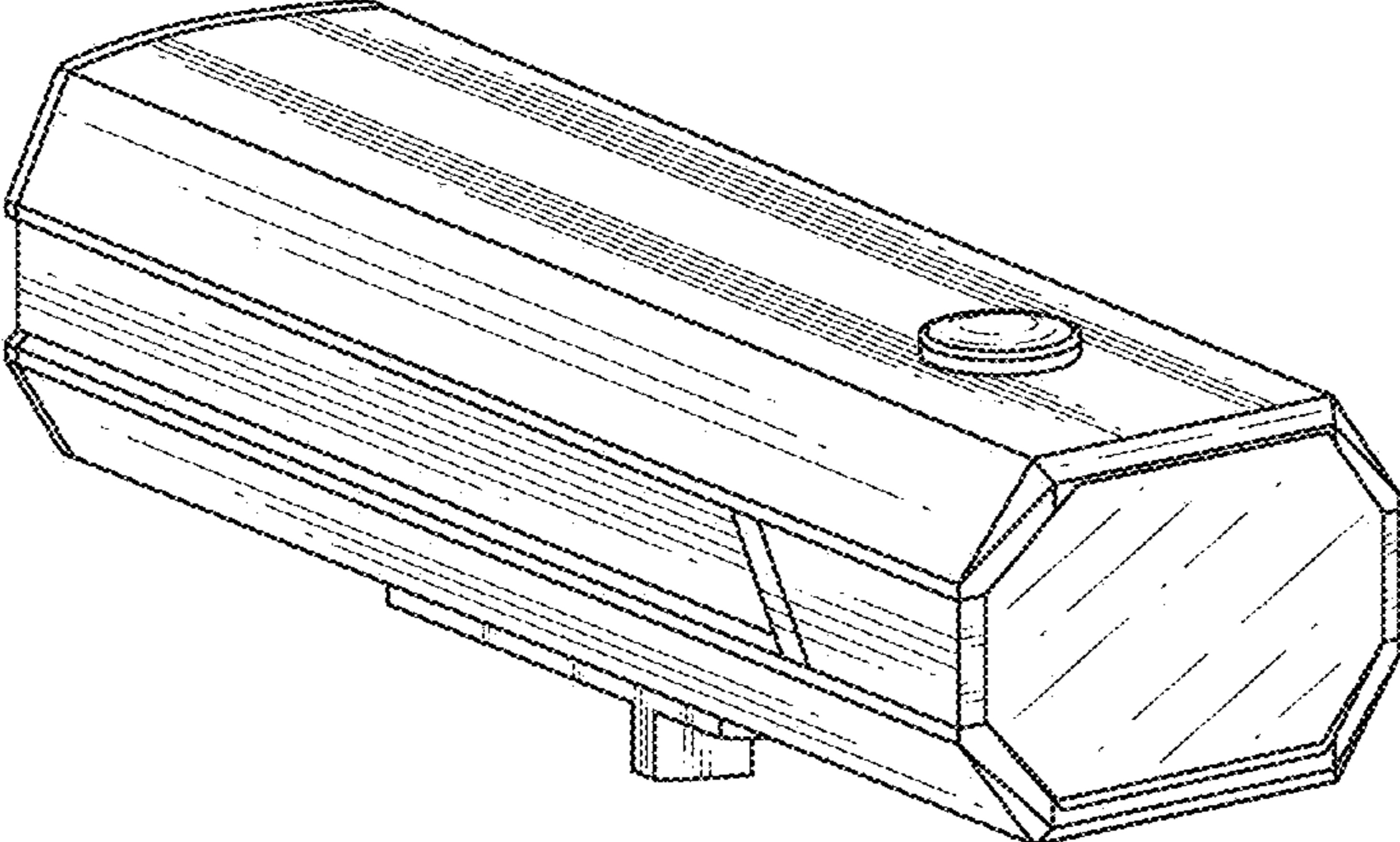


Fig. 1

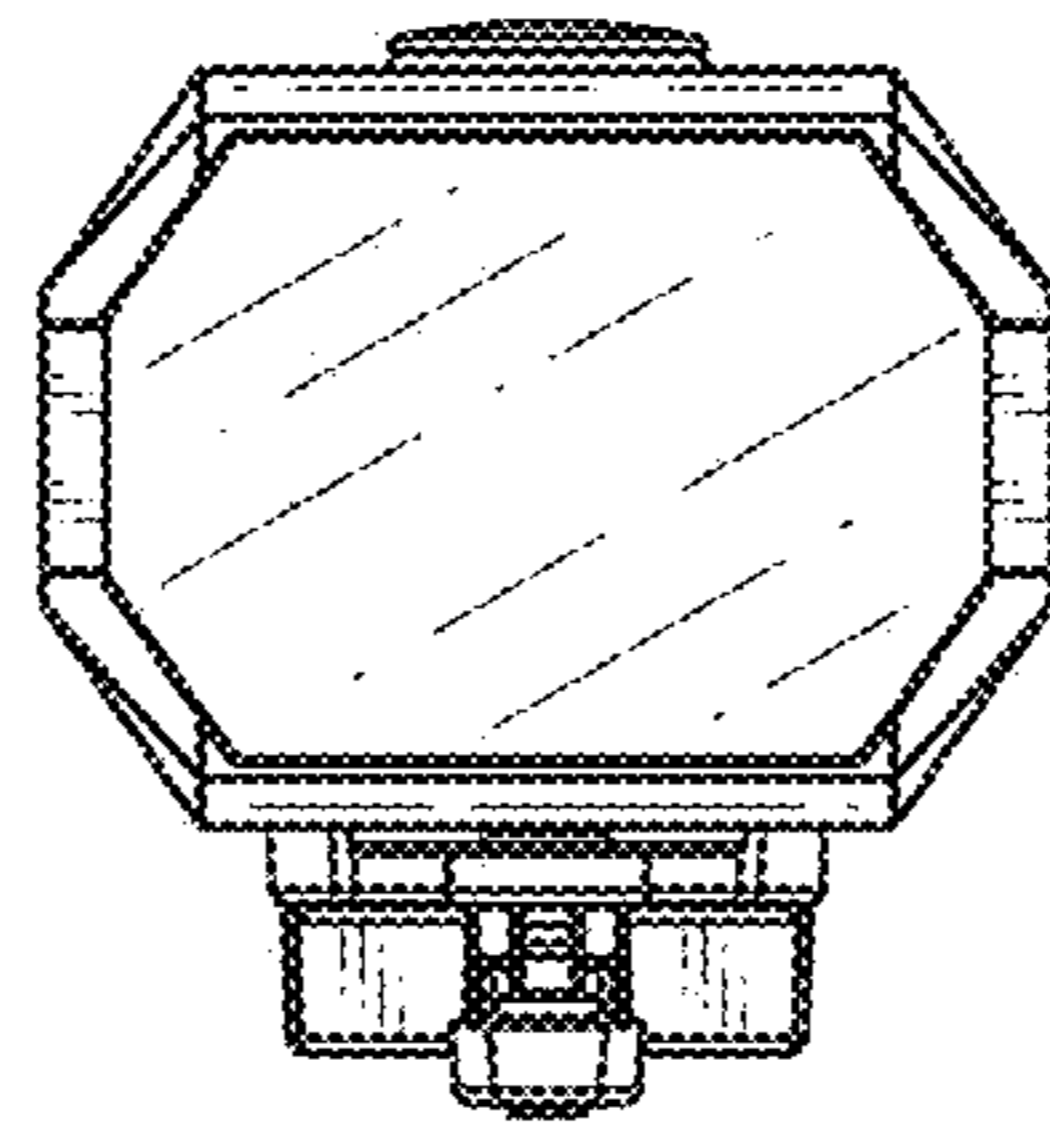


Fig. 2

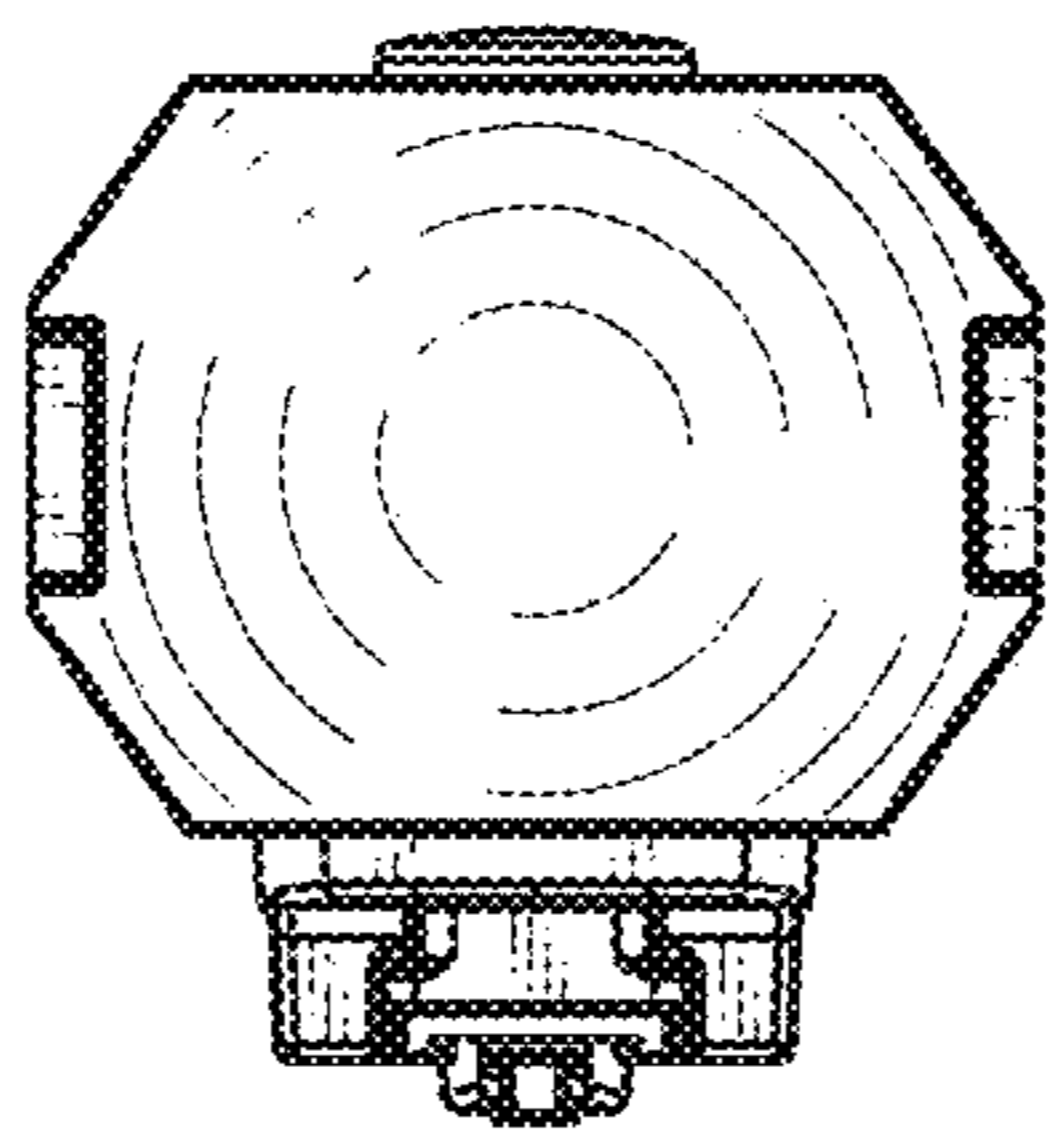


Fig. 3

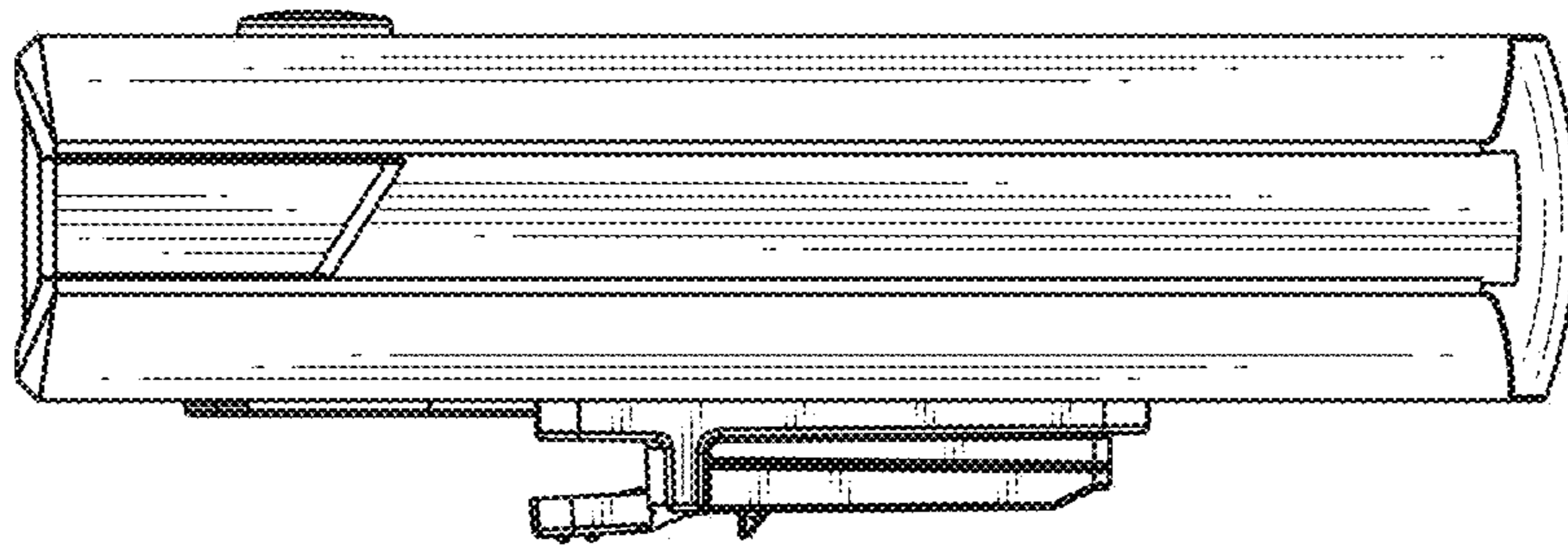


Fig. 4

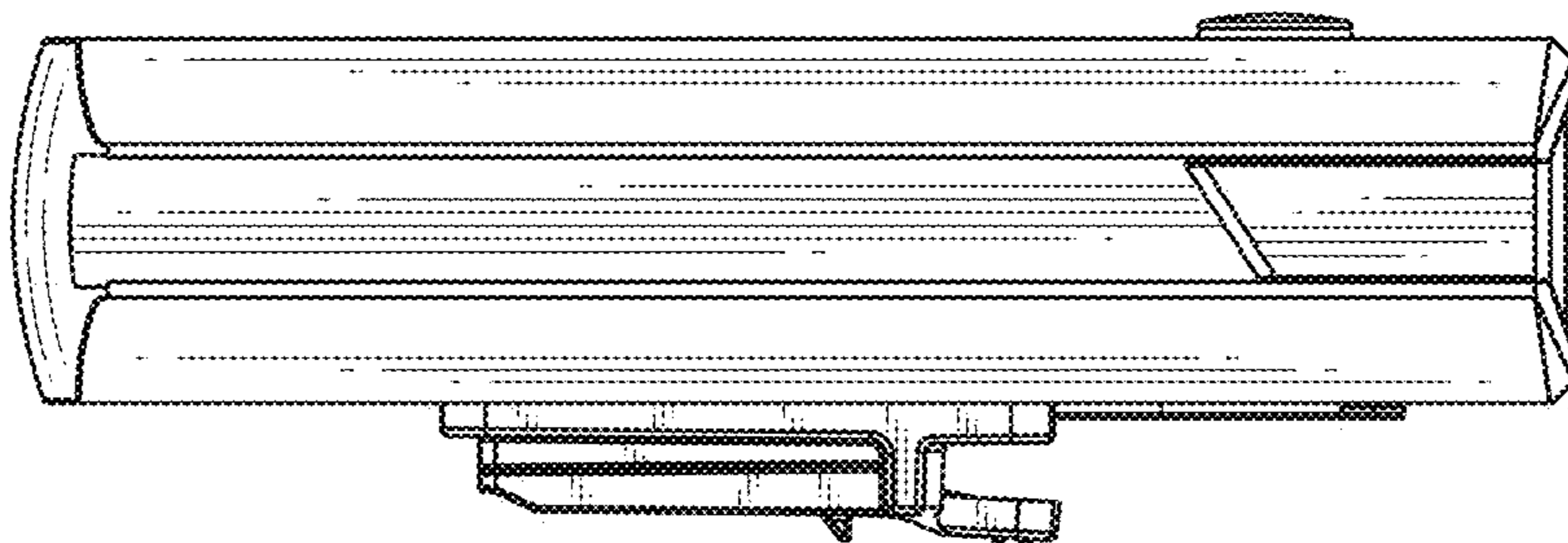


Fig. 5

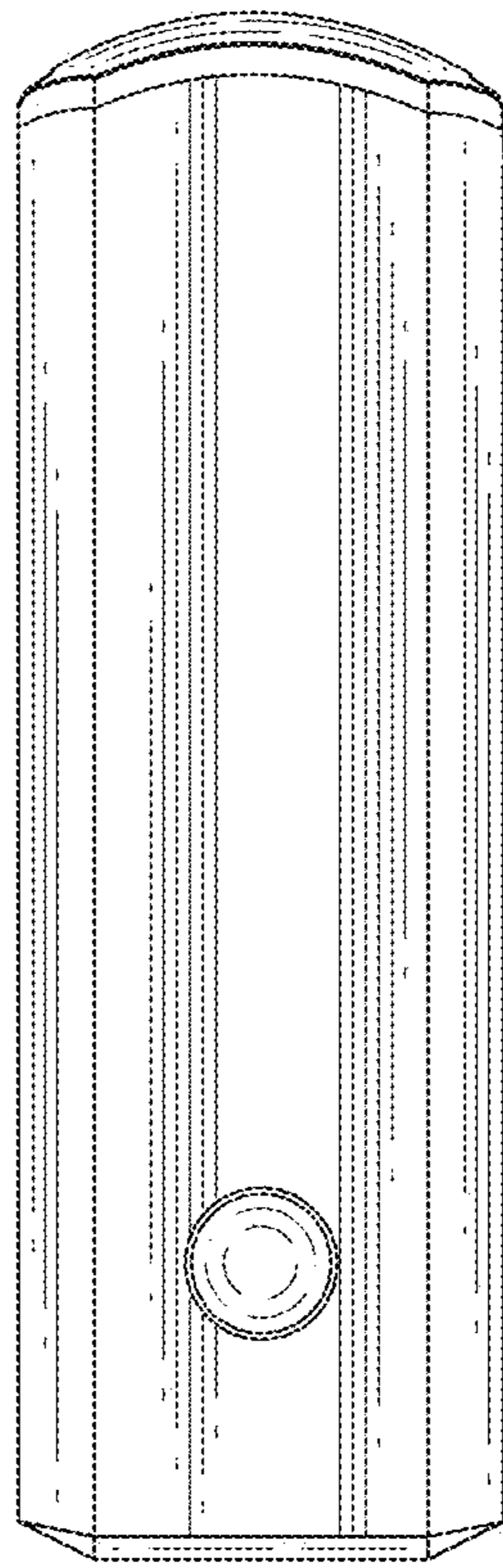


Fig. 6

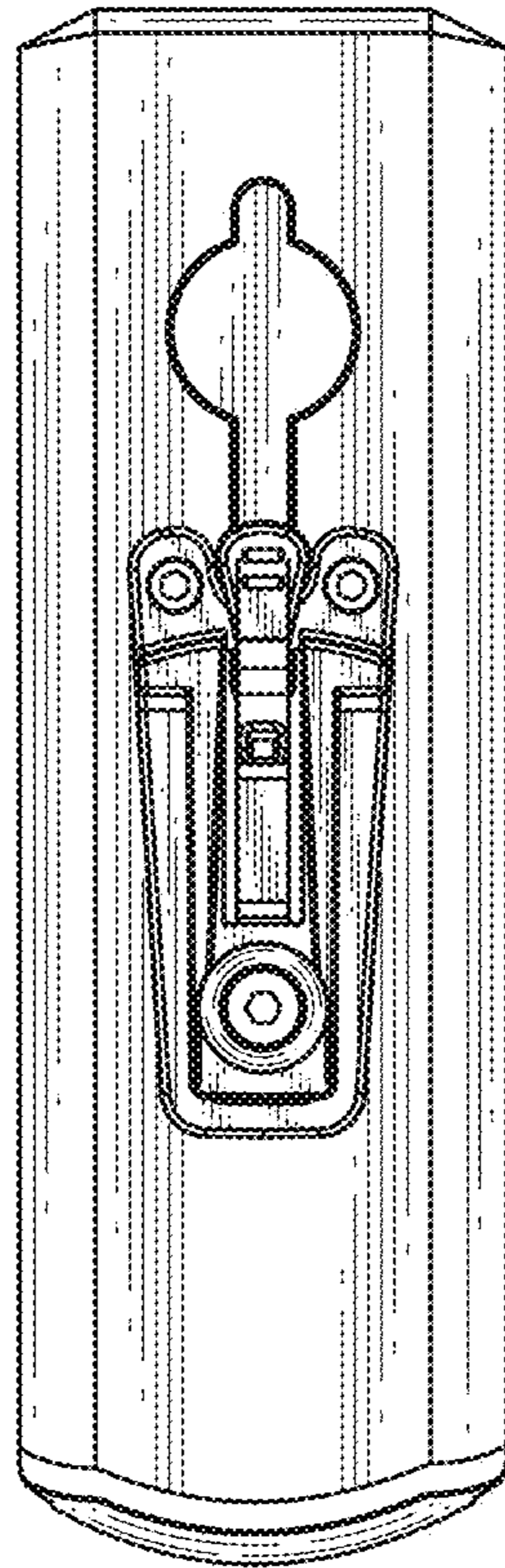


Fig. 7