



US00D918450S

(12) **United States Design Patent**
Raghunathan

(10) **Patent No.:** **US D918,450 S**

(45) **Date of Patent:** **** May 4, 2021**

(54) **COMBINATION LAMP, SPEAKER, AND CHARGING STATION**

7,675,746 B2 * 3/2010 Crooijmans G06F 1/1632
361/679.41

7,966,723 B2 * 6/2011 Basham H05K 7/1491
29/854

(71) Applicant: **Balaji Raghunathan**, Foothill Ranch, CA (US)

8,068,336 B2 11/2011 Crooijmans et al.
8,545,247 B2 * 10/2013 Aldana H01R 13/6315
439/248

(72) Inventor: **Balaji Raghunathan**, Foothill Ranch, CA (US)

(Continued)

(**) Term: **15 Years**

OTHER PUBLICATIONS

(21) Appl. No.: **29/684,250**

thelumicharge.com: Lumicharge T2W. Undated online product page. Retrieved on Nov. 3, 2020 from <https://thelumicharge.com/collections/smart-lamps/products/lumicharge-t2w-led-lamp-bluetoothspeaker-wireless-phone-charger> (Year: 2020).*

(22) Filed: **Mar. 19, 2019**

(Continued)

(51) **LOC (13) Cl.** **26-05**

(52) **U.S. Cl.**

USPC **D26/51**

(58) **Field of Classification Search**

USPC D26/1, 24, 51, 61-63, 65, 71, 89, 93,
D26/104-108; D13/107-110, 118-119,
D13/184; D14/251, 253, 432, 434

CPC H04M 1/04; F21V 33/0056; H01R 27/00;
H01R 39/64; H02J 7/025; H05K 5/0217;
H05K 5/0247; H05K 5/03; Y02E 60/12;
Y02T 90/14; Y02T 90/122; Y02T 90/128

See application file for complete search history.

Primary Examiner — Marcus A Jackson

(57)

CLAIM

The ornamental design for a combination lamp, speaker, and charging station, as shown and described.

DESCRIPTION

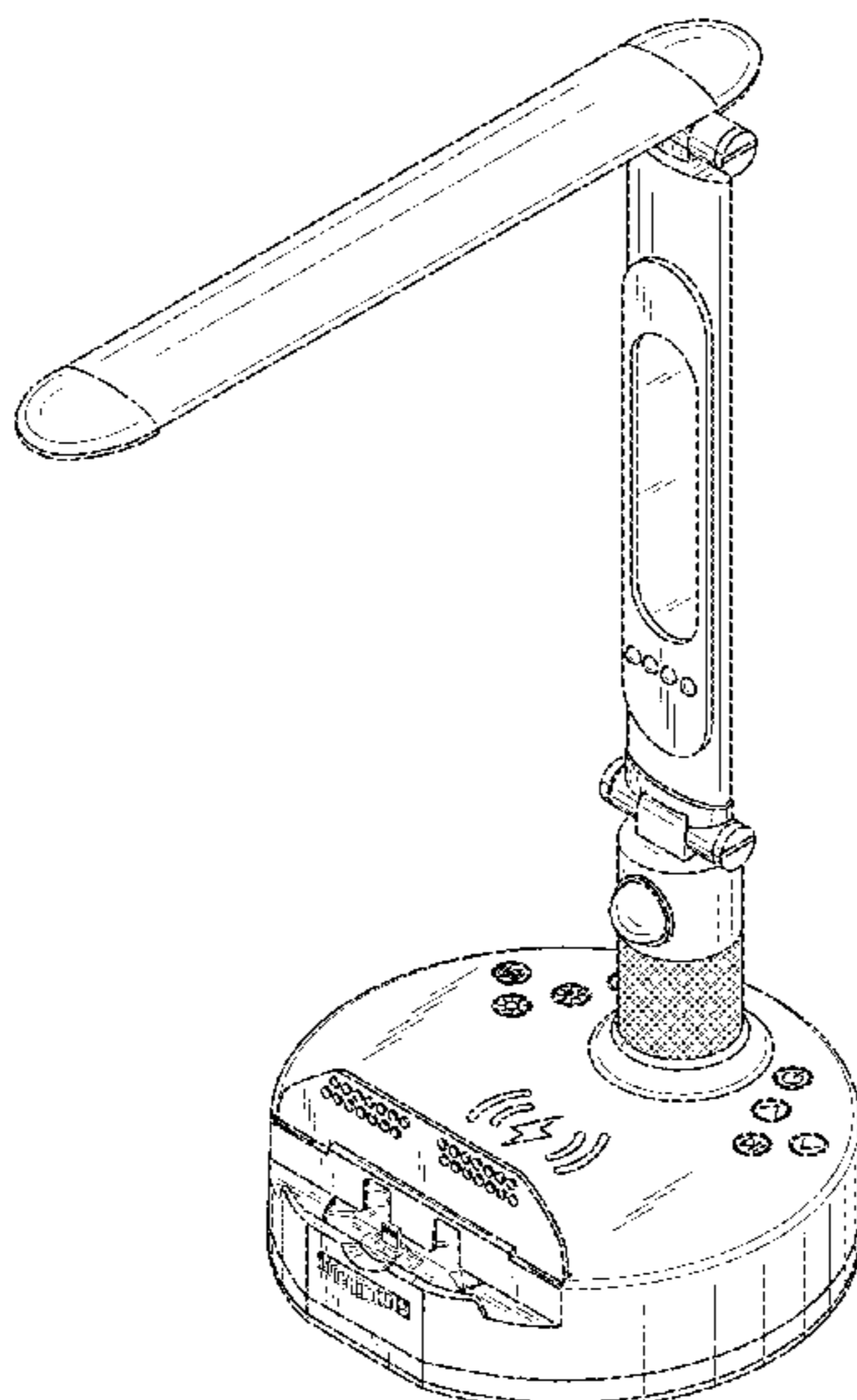
FIG. 1 is a front view of a combination lamp, speaker, and charging station showing my new design;
FIG. 2 is a rear view of the combination lamp, speaker, and charging station;
FIG. 3 is a right side view of the combination lamp, speaker, and charging station;
FIG. 4 is a left side view of the combination lamp, speaker, and charging station;
FIG. 5 is a top view of the combination lamp, speaker, and charging station;
FIG. 6 is a bottom view of the combination lamp, speaker, and charging station; and,
FIG. 7 is a top front side perspective view of the combination lamp, speaker, and charging station.

(56) **References Cited**

U.S. PATENT DOCUMENTS

D369,226 S *	4/1996	Yuen	D14/168
D463,361 S *	9/2002	Ruohonen	D13/108
D468,305 S *	1/2003	Ma	D14/253
6,524,240 B1 *	2/2003	Thede	A61B 5/021 128/897
D472,900 S *	4/2003	Matsumoto	D14/447
6,994,575 B1 *	2/2006	Clark	B60R 11/0241 439/173
D543,936 S *	6/2007	Wada	D13/108
D558,738 S *	1/2008	Andre	D14/217
D558,739 S *	1/2008	Andre	D14/217
7,381,095 B2 *	6/2008	Freeman	G06F 1/1632 361/679.41
D590,391 S *	4/2009	Sumii	D14/356

1 Claim, 7 Drawing Sheets



(56)

References Cited

U.S. PATENT DOCUMENTS

D710,329 S * 8/2014 Holzer D14/216
 9,170,610 B2 * 10/2015 Vroom G06F 1/1632
 D746,807 S * 1/2016 McGarry et al. D14/253
 D765,900 S * 9/2016 Oh D26/63
 9,436,221 B2 * 9/2016 Raghunathan G06F 1/1632
 9,454,183 B2 * 9/2016 Suckle G06F 1/1632
 D803,450 S * 11/2017 Xie D26/63
 D804,071 S * 11/2017 Xu D26/63
 D804,072 S * 11/2017 Xu D26/63
 D804,697 S * 12/2017 Tang D26/63
 9,836,086 B2 * 12/2017 Suckle G06F 1/1632
 D806,712 S * 1/2018 Cebe D14/434
 D816,030 S * 4/2018 Sumida D13/108
 D829,242 S * 9/2018 Laine et al. D14/496
 D853,960 S * 6/2019 Lei et al. D13/108
 D853,326 S * 7/2019 Jun et al. D13/108
 D858,530 S * 9/2019 Liao D14/434
 D873,463 S * 1/2020 Wang D26/65
 D875,985 S * 2/2020 Yi D26/65
 D876,699 S * 2/2020 Tang D26/65
 10,601,973 B1 * 3/2020 Raghunathan H05K 5/03
 D892,043 S * 8/2020 Raghunathan D13/108
 D892,122 S * 8/2020 Akana et al. D14/434
 2002/0024794 A1 * 2/2002 Lin G06F 1/1632
 361/679.43
 2002/0115480 A1 * 8/2002 Huang H04M 19/08
 455/573
 2002/0186319 A1 * 12/2002 Whitby H04N 5/2251
 348/375
 2005/0047099 A1 * 3/2005 Mori G06F 1/1632
 361/752
 2005/0055487 A1 * 3/2005 Tanaka G06F 1/1632
 710/303

2006/0181840 A1 * 8/2006 Cvetko B60R 11/02
 361/679.55
 2006/0250764 A1 * 11/2006 Howarth G06F 1/1632
 361/679.41
 2007/0026694 A1 * 2/2007 Mayer H01R 25/006
 439/13
 2007/0135157 A1 * 6/2007 Kuo H01Q 3/04
 455/550.1
 2007/0217145 A1 * 9/2007 Sung G06F 1/1632
 361/679.41
 2012/0014056 A1 * 1/2012 Chen F16M 11/08
 361/679.41
 2013/0058036 A1 * 3/2013 Holzer H04M 1/72527
 361/679.44
 2014/0097793 A1 * 4/2014 Wurtz H02J 7/0044
 320/108
 2017/0187206 A1 * 6/2017 Lafountain H02J 7/0044

OTHER PUBLICATIONS

amazon.com: LumiCharge T2W Wireless Phone Charger for iPhone/Android. Date uploaded Sep. 26, 2019 [site visited Nov. 3, 2020], Retrieve from <https://www.amazon.com/LumiCharge-T2W-Wireless-Bluetooth-Adjustable/dp/B07YF647PT?ref_ast_slp_dp> (Year: 2019).*

alibaba.com: High Quality Wireless Charging BT Speaker Lamp. Undated online product page. Retrieved on Nov. 3, 2020 from <https://www.alibaba.com/product-detail/High-quality-wireless-charging-BT-speaker_1600125728607.html . . . > (Year: 2020).*

alibaba.com: Multi Functional Eye-Caring Table Lamp Qi. Undated online product page. Retrieved on Nov. 3, 2020 from <https://www.alibaba.com/product-detail/Multi-functional-eye-caring-table-lamp_1600125193422.html?spm=a2700.galleryofferlist.normal_offer.d_title.79c01621KLF31N> (Year: 2020).*

* cited by examiner

FIG. 1

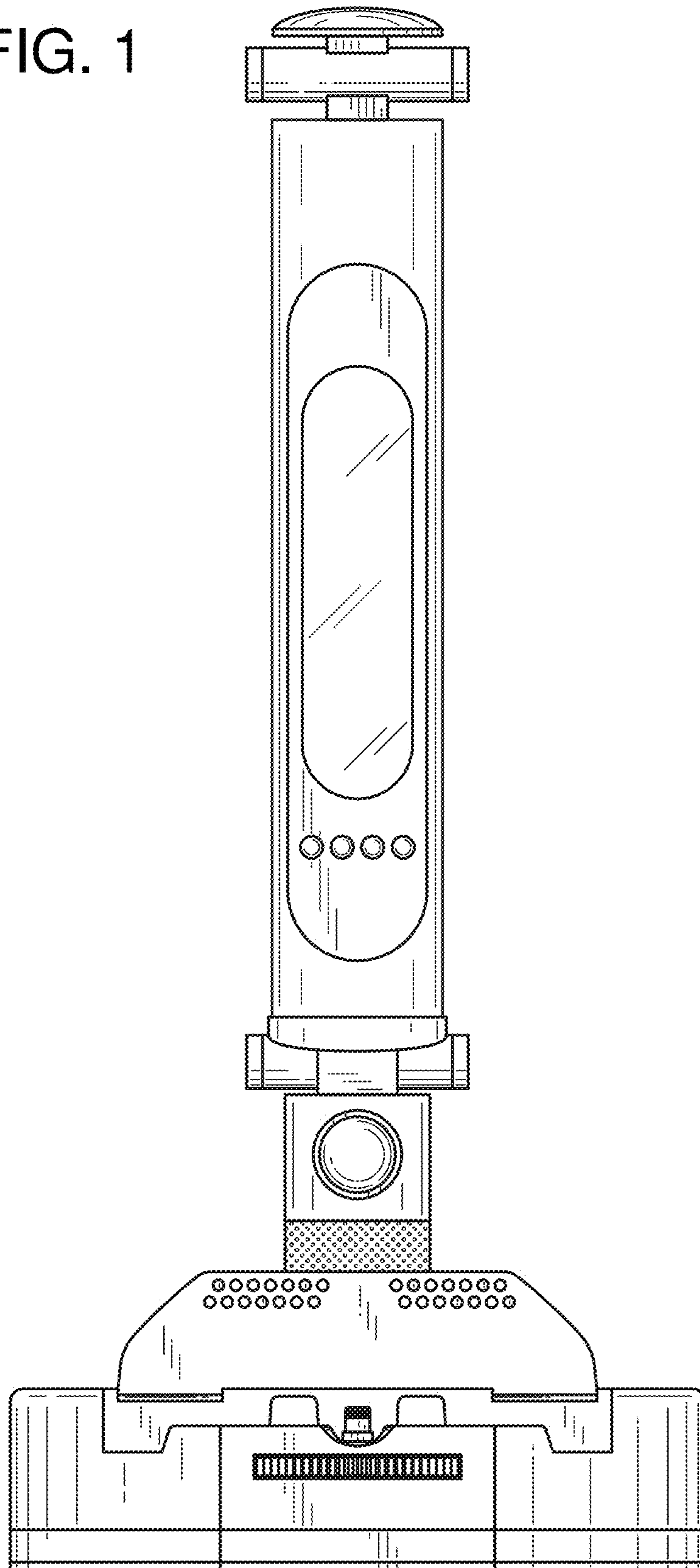
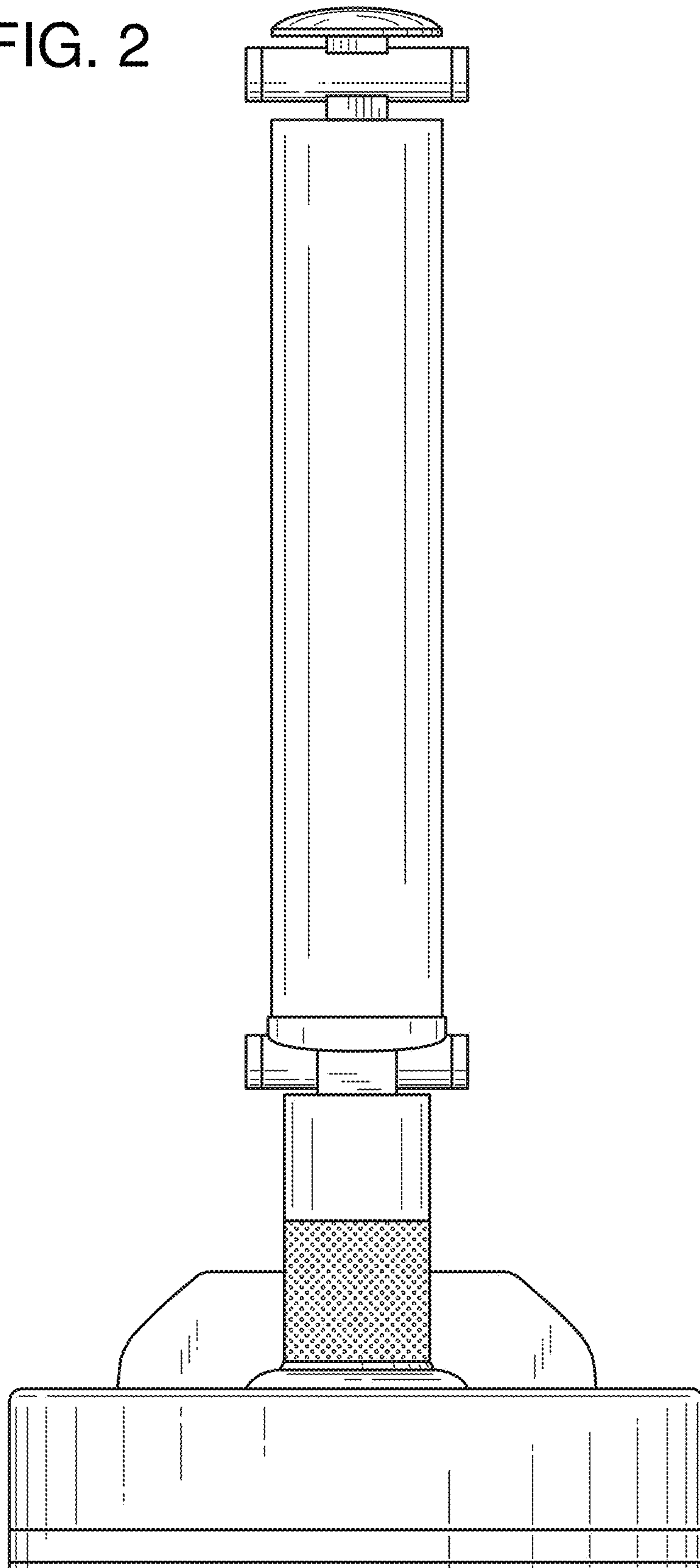


FIG. 2



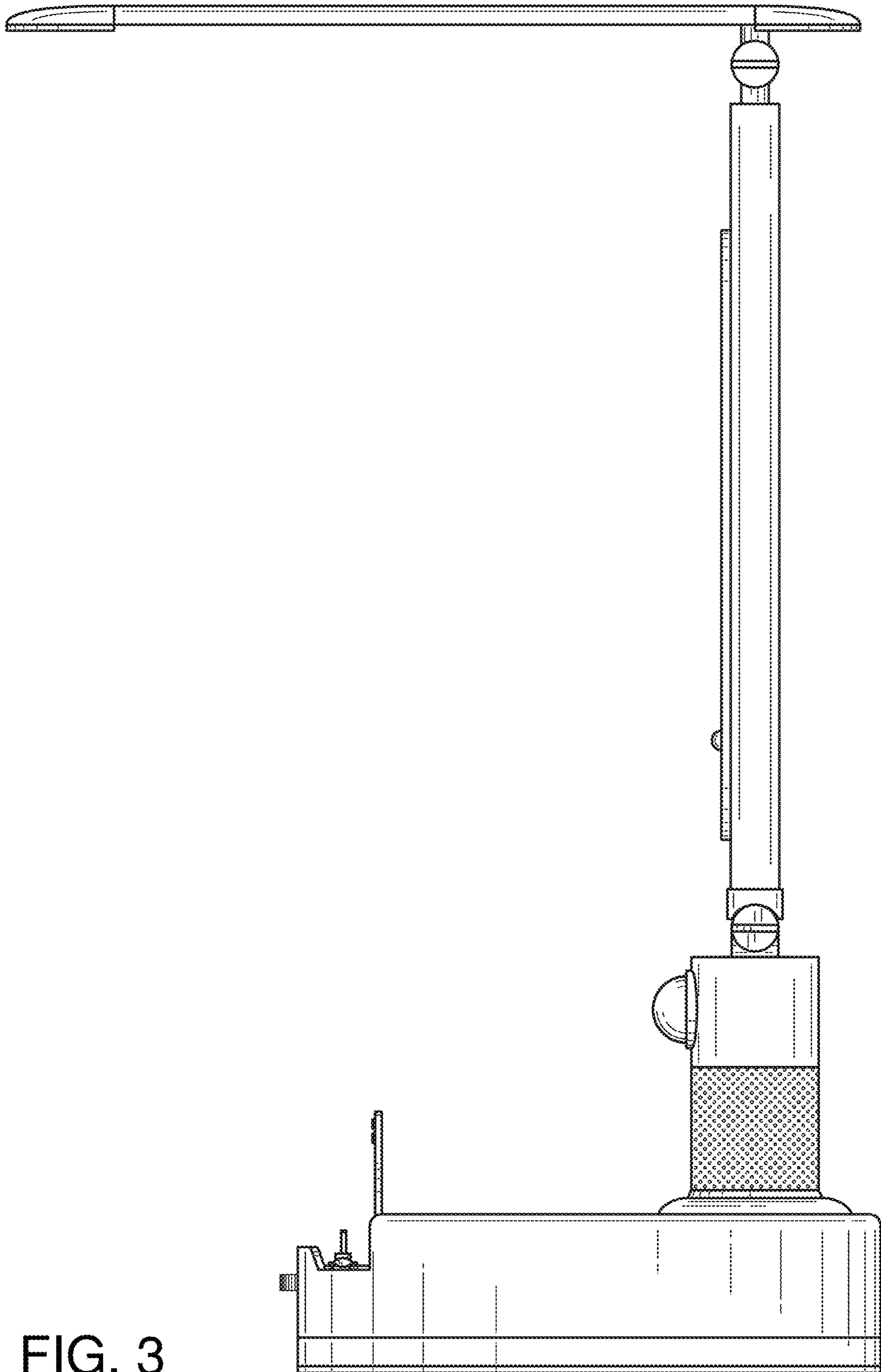


FIG. 3

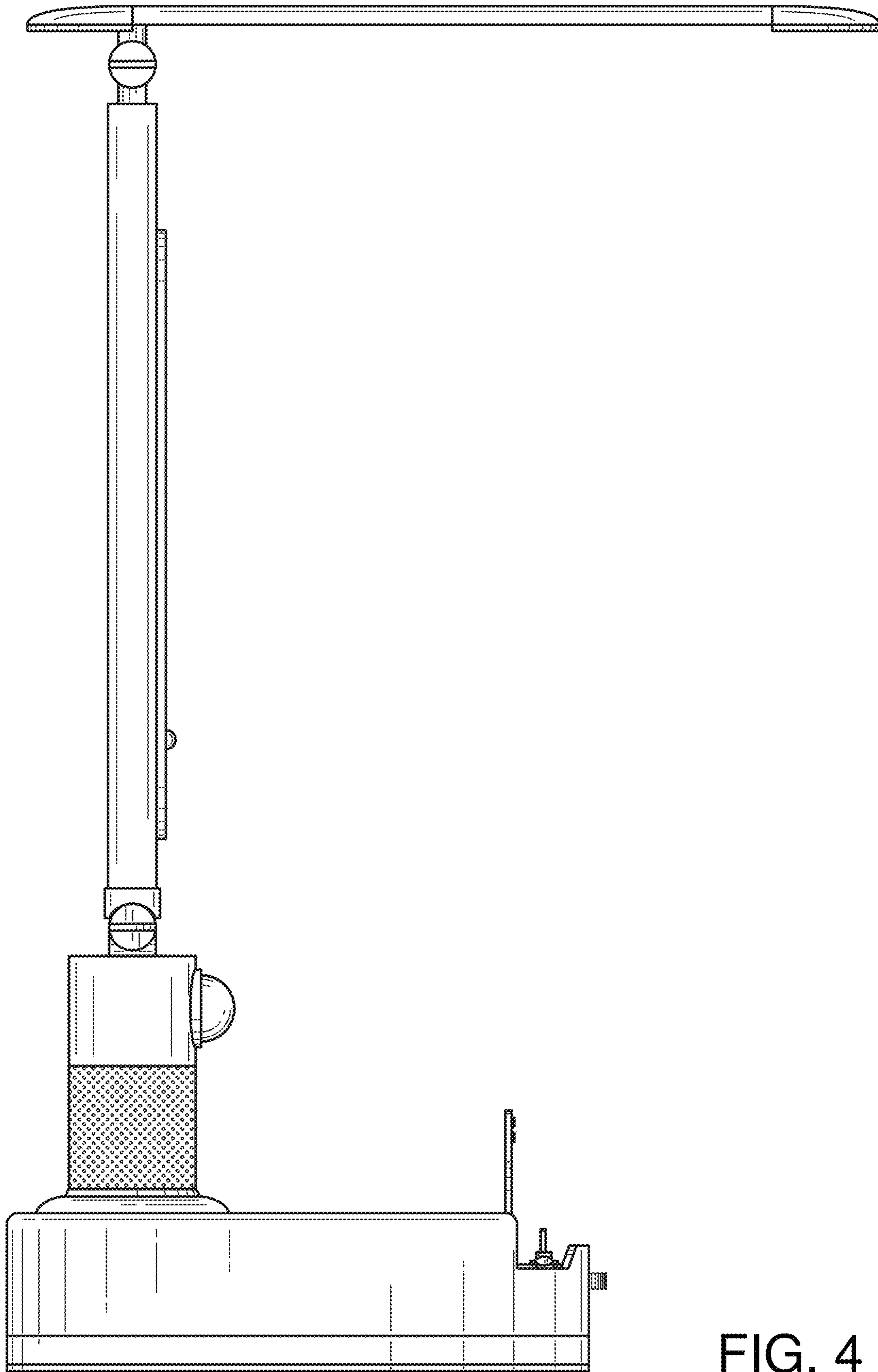


FIG. 4

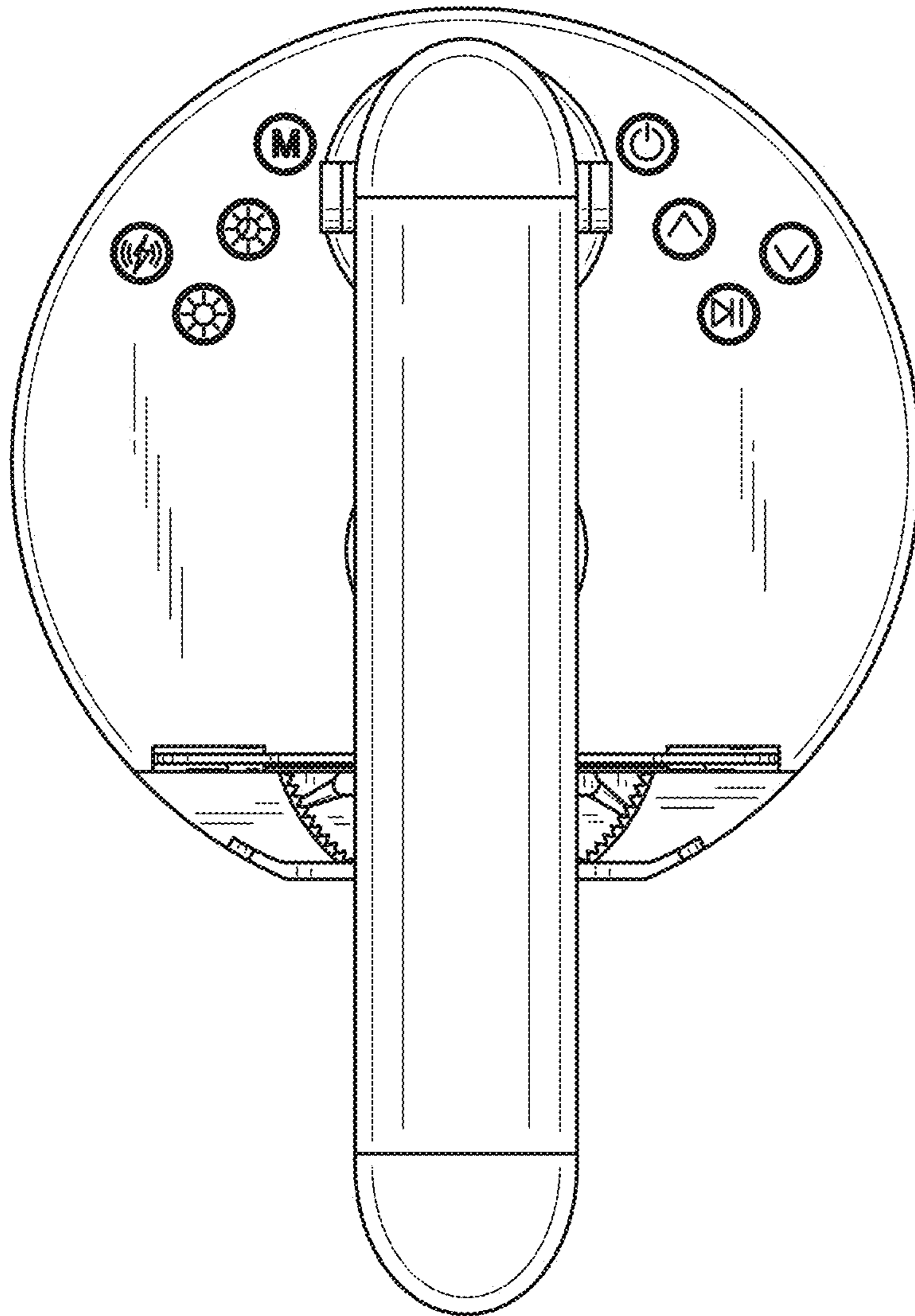


FIG. 5

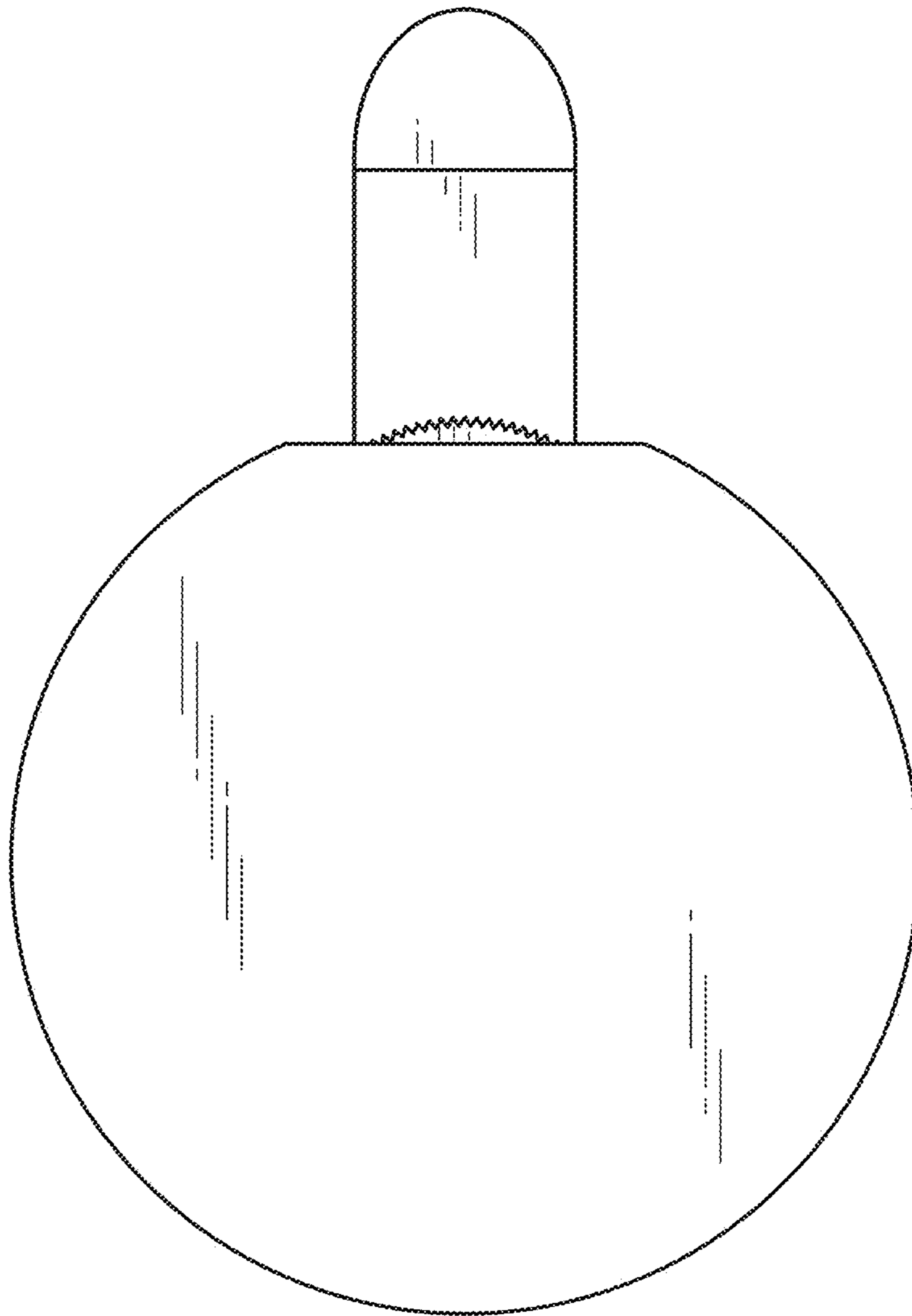


FIG. 6

FIG. 7

