



US00D918449S

(12) **United States Design Patent** (10) **Patent No.:** **US D918,449 S**
Raghunathan (45) **Date of Patent:** **** May 4, 2021**

(54) **COMBINATION LAMP AND CHARGING STATION**

(71) Applicant: **Balaji Raghunathan**, Foothill Ranch, CA (US)

(72) Inventor: **Balaji Raghunathan**, Foothill Ranch, CA (US)

(**) Term: **15 Years**

(21) Appl. No.: **29/684,244**

(22) Filed: **Mar. 19, 2019**

(51) **LOC (13) Cl.** **26-05**

(52) **U.S. Cl.**
USPC **D26/51**

(58) **Field of Classification Search**
USPC D26/1, 24, 51, 61-63, 65, 71, 89, 93, D26/104-108; D13/107-110, 118-119, D13/184; D14/251, 253, 432, 434
CPC H04M 1/04; F21V 33/0056; H01R 27/00; H01R 39/64; H02J 7/025; H05K 5/0217; H05K 5/0247; H05K 5/03; Y02E 60/12; Y02T 90/14; Y02T 90/122; Y02T 90/128
See application file for complete search history.

(56) **References Cited**

U.S. PATENT DOCUMENTS

D459,299	S	*	6/2002	Hughes	D13/108
D463,361	S	*	9/2002	Ruohonen	D13/108
D558,738	S	*	1/2008	Andre	D14/217
D558,739	S	*	1/2008	Andre	D14/217
D590,391	S	*	4/2009	Sumii		
7,966,723	B2	*	6/2011	Basham et al.		
8,068,336	B2	*	11/2011	Crooijmans et al.		
9,170,610	B2	*	10/2015	Vroom et al.		
D746,807	S	*	1/2016	McGarry et al.		
D763,244	S	*	8/2016	McGarry	D14/253
D765,900	S	*	9/2016	Oh	D26/63
9,454,183	B2	*	9/2016	Suckle et al.		
D803,450	S	*	11/2017	Xie et al.		

D804,071	S	*	11/2017	Xu	D26/63
D804,072	S	*	11/2017	Xu	D26/63
D804,697	S	*	12/2017	Tang	D26/63
9,836,086	B2	*	12/2017	Suckle et al.		
D806,712	S	*	1/2018	Cebe		
D816,030	S	*	4/2018	Sumida		
D829,242	S	*	9/2018	Laine et al.		
D853,326	S	*	7/2019	Jun et al.		
D858,530	S	*	9/2019	Liao		

(Continued)

OTHER PUBLICATIONS

thelumicharge.com: Lumicharge T2W. Undated online product page. Retrieved on Nov. 3, 2020 from <https://thelumicharge.com/collections/smart-lamps/products/lumicharge-t2w-led-lamp-bluetoothspeaker-wireless-phone-charger> (Year: 2020).*

(Continued)

Primary Examiner — Marcus A Jackson

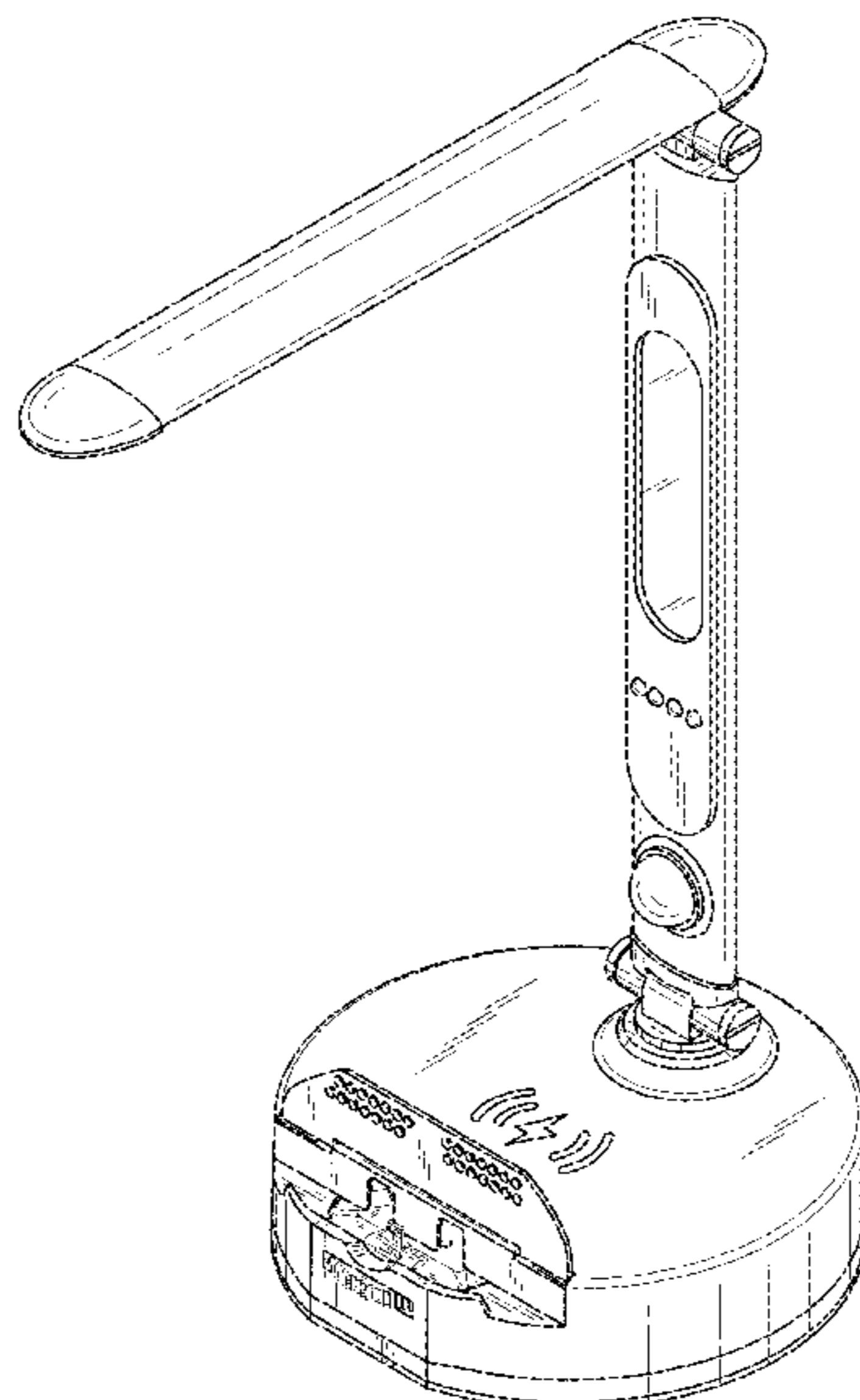
(57) **CLAIM**

The ornamental design for a combination lamp and charging station, as shown and described.

DESCRIPTION

FIG. 1 is a front view of a combination lamp and charging station showing my new design;
FIG. 2 is a rear view of the combination lamp and charging station;
FIG. 3 is a right side view of the combination lamp and charging station;
FIG. 4 is a left side view of the combination lamp and charging station;
FIG. 5 is a top view of the combination lamp and charging station combination;
FIG. 6 is a bottom view of the combination lamp and charging station; and,
FIG. 7 is a top front side perspective view of the combination lamp and charging station.

1 Claim, 7 Drawing Sheets



(56)

References Cited

U.S. PATENT DOCUMENTS

D865,768 S * 11/2019 Du D14/434
 D873,463 S * 1/2020 Wang et al.
 D875,985 S * 2/2020 Yi et al.
 D876,699 S * 2/2020 Tang et al.
 10,601,973 B1 * 3/2020 Raghunathan
 D883,374 S * 5/2020 Li D18/4.4
 D888,024 S * 6/2020 Li D14/228
 D892,043 S * 8/2020 Raghunathan
 D892,122 S * 8/2020 Akana et al.
 D900,812 S * 11/2020 Friedman D14/357
 2002/0115480 A1 * 8/2002 Huang H04M 19/08
 455/573
 2002/0186319 A1 * 12/2002 Whitby H04N 5/2251
 348/375
 2005/0047099 A1 * 3/2005 Mori et al.
 2005/0055487 A1 * 3/2005 Tanaka et al.
 2006/0181840 A1 * 8/2006 Cvetko
 2006/0250764 A1 * 11/2006 Howarth et al.
 2007/0026694 A1 * 2/2007 Mayer
 2007/0135157 A1 * 6/2007 Kuo et al.
 2007/0217145 A1 * 9/2007 Sung
 2008/0219488 A1 * 9/2008 Crooijmans G06F 1/1632
 381/333

2012/0014056 A1 * 1/2012 Chen F16M 11/08
 361/679.41
 2013/0058036 A1 * 3/2013 Holzer H04M 1/72527
 361/679.44
 2014/0097793 A1 * 4/2014 Wurtz H02J 7/0044
 320/108

OTHER PUBLICATIONS

amazon.com: LumiCharge T2W Wireless Phone Charger for iPhone/Android. Date uploaded Sep. 26, 2019 [site visited Nov. 3, 2020]. Retrieve from <https://www.amazon.com/LumiCharge-T2W-Wireless-Bluetooth-Adjustable/dp/B07YF647PT?ref_=ast_slp_dp> (Year: 2019).*

alibaba.com: High Quality Wireless Charging BT Speaker Lamp. Undated online product page. Retrieved on Nov. 3, 2020 from <https://www.alibaba.com/product-detail/High-quality-wireless-charging-BT-speaker_1600125728607.html . . . > (Year: 2020).*

alibaba.com: Multi Functional Eye-Caring Table Lamp Qi. Undated online product page. Retrieved on Nov. 3, 2020 from <https://www.alibaba.com/product-detail/Multi-functional-eye-caring-table-lamp_1600125193422.html?spm=a2700.galleryofferlist.normal_offer.d_title.79c01621KLF31N> (Year: 2020).*

* cited by examiner

FIG. 1

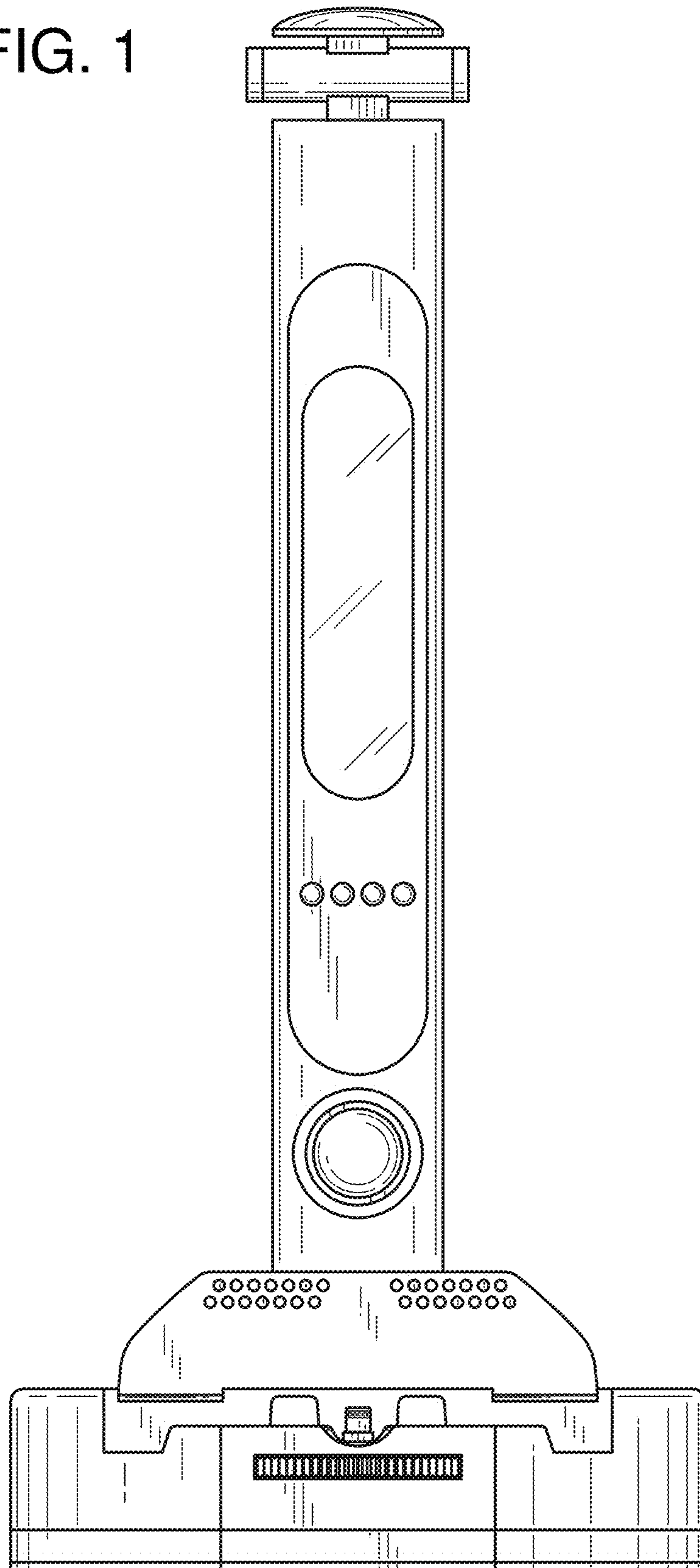
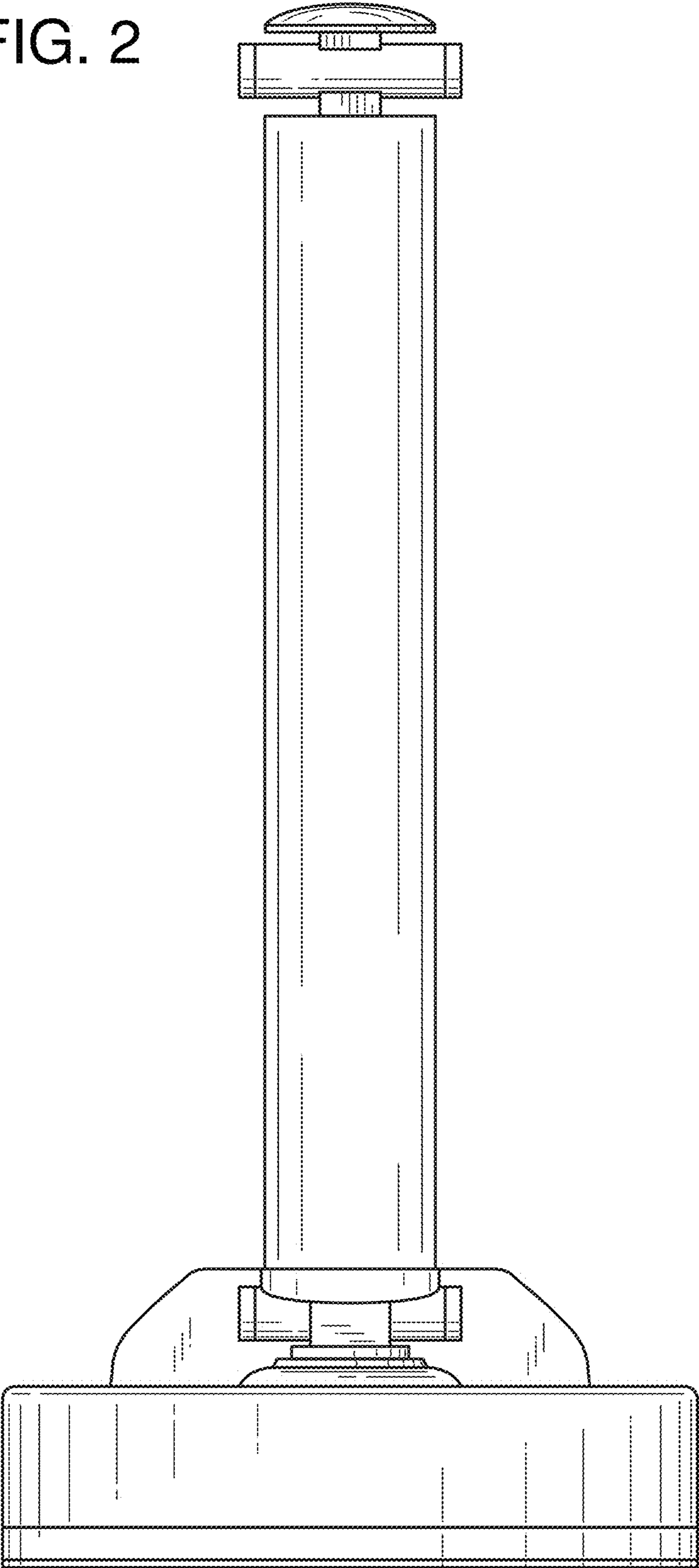


FIG. 2



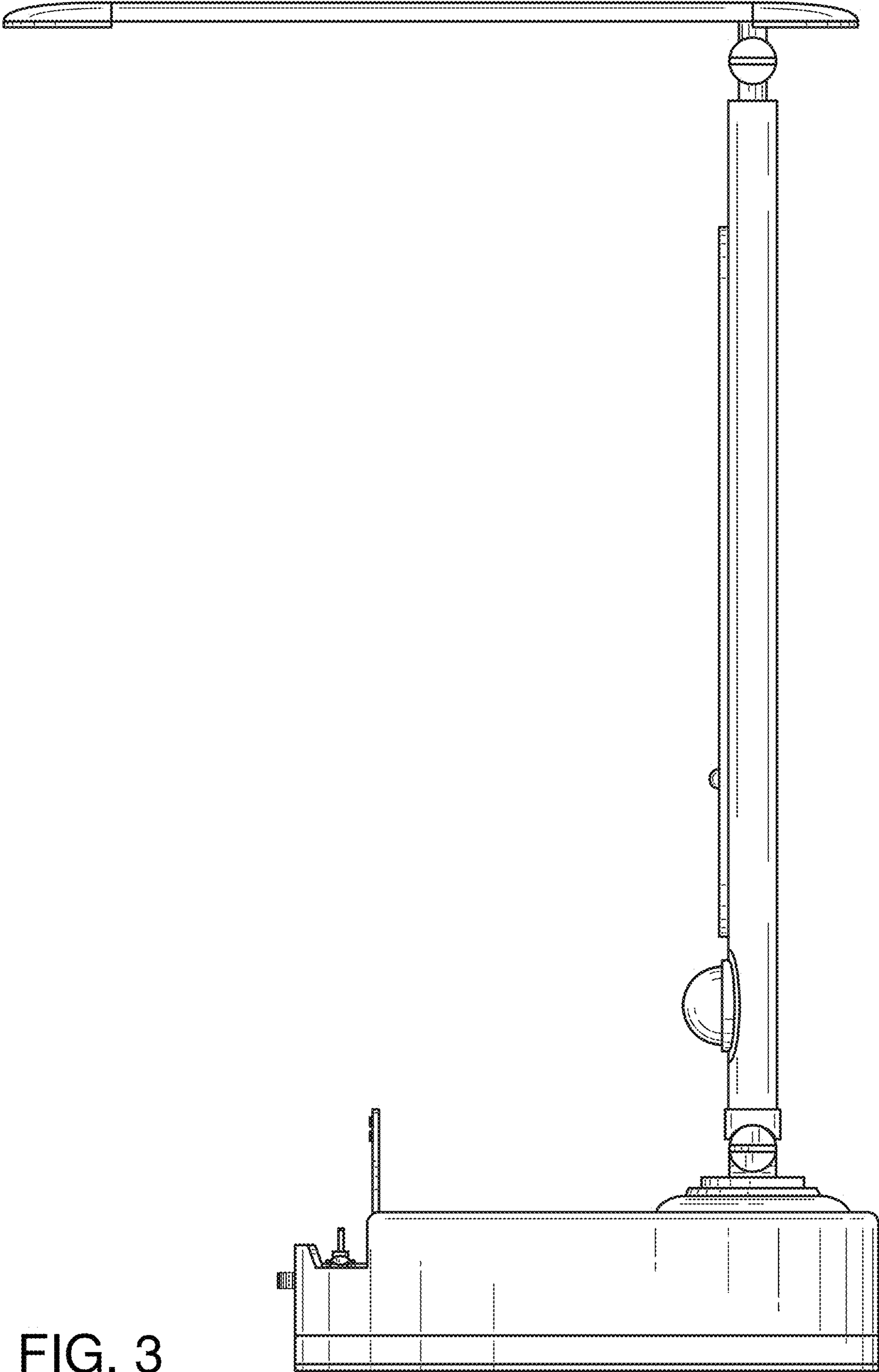


FIG. 3

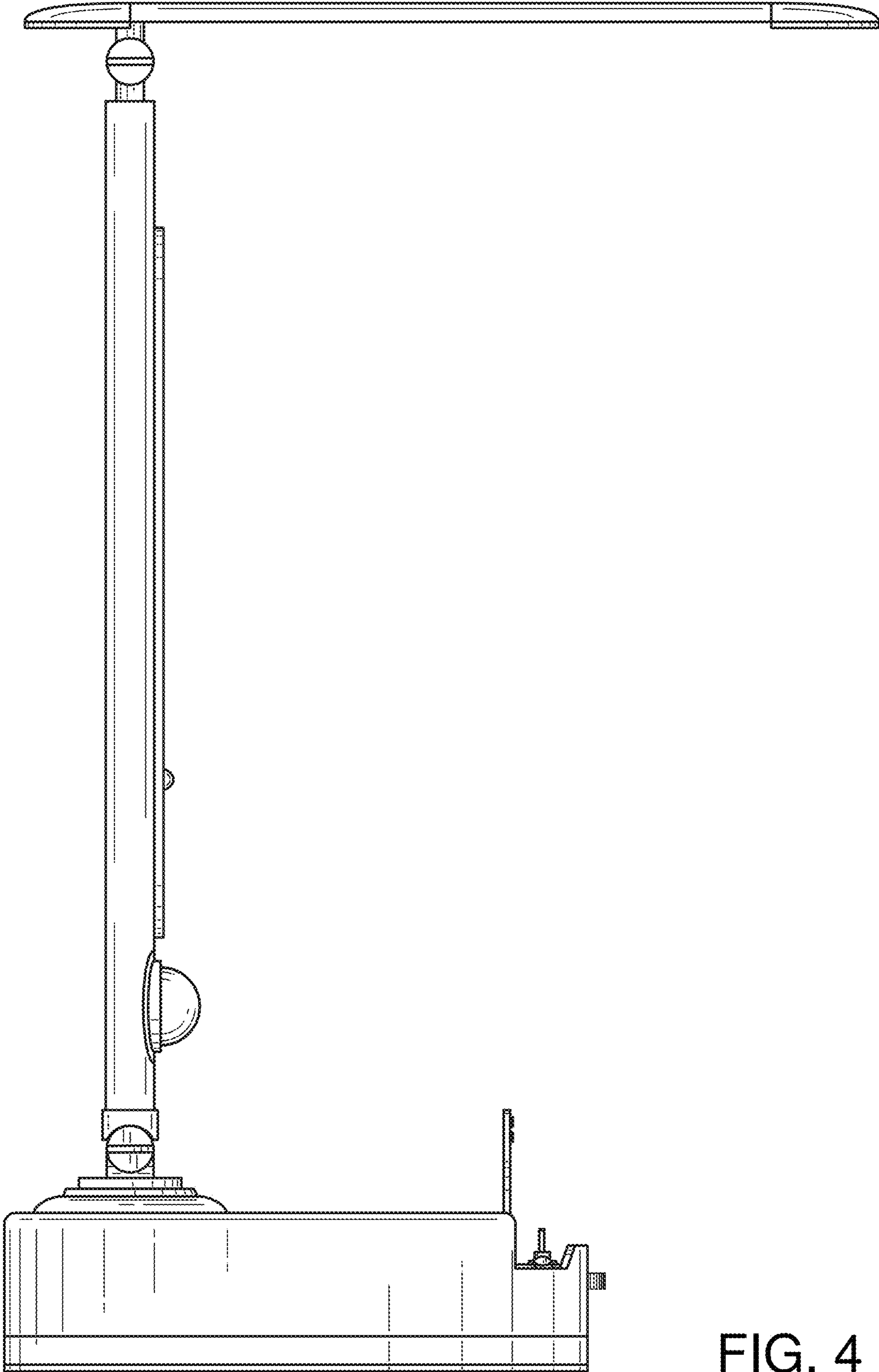


FIG. 4

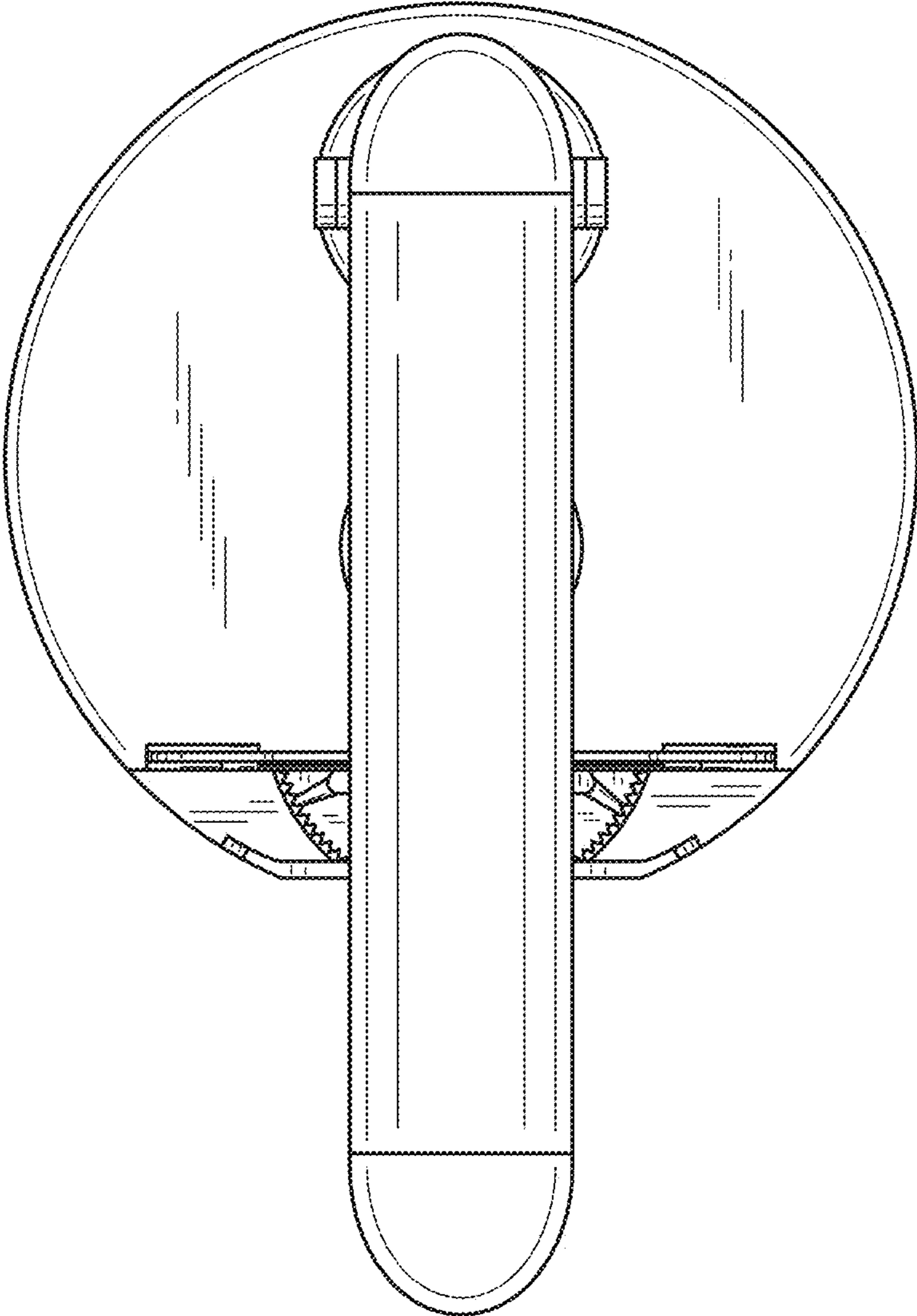


FIG. 5

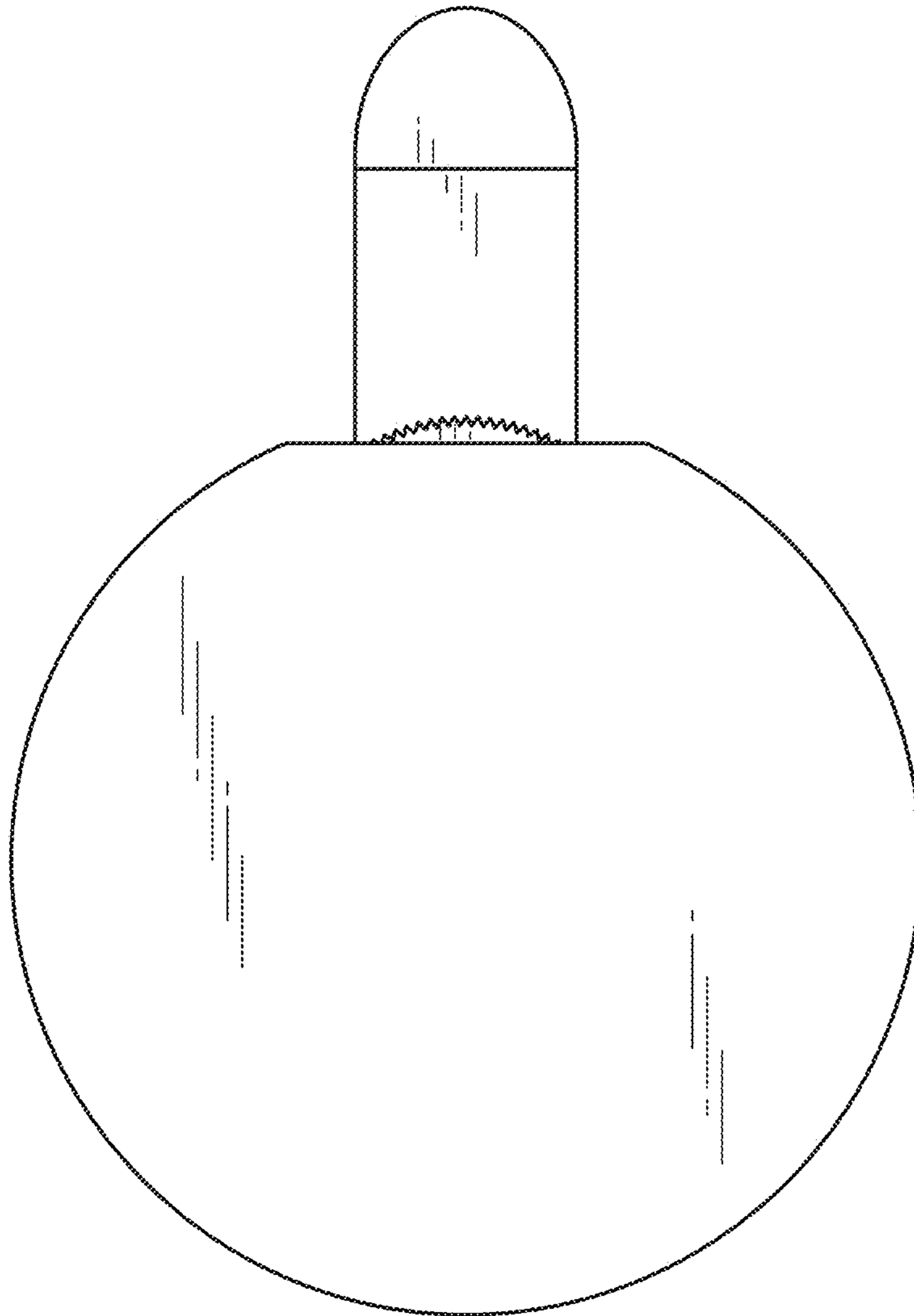


FIG. 6

FIG. 7

