



US00D918447S

(12) **United States Design Patent** (10) **Patent No.:** **US D918,447 S**  
**Sun** (45) **Date of Patent:** **\*\* May 4, 2021**

(54) **HEADLAMP**

(71) Applicant: **Dihua Sun**, Zhejiang (CN)

(72) Inventor: **Dihua Sun**, Zhejiang (CN)

(\*\*) Term: **15 Years**

(21) Appl. No.: **29/700,743**

(22) Filed: **Aug. 5, 2019**

(51) **LOC (13) Cl.** ..... **26-02**

(52) **U.S. Cl.**

USPC ..... **D26/39**

(58) **Field of Classification Search**

USPC ..... D26/37-51, 60, 61, 85, 102, 110, 113,  
D26/138-140; 362/157, 158, 171-174,  
362/183-208

CPC ..... F21L 2003/00; F21L 4/00; F21L 4/005;  
F21L 4/02; F21L 4/025; F21L 4/027;  
F21L 4/05; F21L 4/08; F21L 2005/00;  
F21L 7/00; F21L 11/00; F21L 13/00;  
F21L 13/04; F21L 13/08; F21L 14/02;  
F21L 17/00; F21L 19/00; F21L 25/00;  
F21L 4/04; F21V 21/084; H05B 47/10

See application file for complete search history.

(56) **References Cited**

**U.S. PATENT DOCUMENTS**

- D527,127 S \* 8/2006 Petzl ..... D26/39
- D576,325 S \* 9/2008 Kim ..... D26/39
- 7,540,623 B2 \* 6/2009 Petzl ..... F21V 21/145  
362/190
- D611,629 S \* 3/2010 Sharrah ..... D26/39
- D708,793 S \* 7/2014 Silverlieb ..... D30/152
- D715,846 S \* 10/2014 Troxel ..... D16/219
- D743,597 S \* 11/2015 Abernethy ..... D26/39
- D812,278 S \* 3/2018 Pontano ..... D26/39
- D836,810 S \* 12/2018 DeBrunner ..... F21V 21/145  
D26/39
- D843,035 S \* 3/2019 Pontano ..... D26/39

- D844,868 S \* 4/2019 DeBrunner ..... F21V 21/084  
D26/39
- D865,249 S \* 10/2019 Wu ..... D26/39
- D872,918 S \* 1/2020 Smith ..... D26/39
- D877,949 S \* 3/2020 Deng ..... D26/39
- 2017/0184259 A1 \* 6/2017 Li ..... F21V 21/084

**FOREIGN PATENT DOCUMENTS**

- CN 304033976 \* 2/2017
- CN 304409598 \* 12/2017
- CN 305293165 \* 8/2019

**OTHER PUBLICATIONS**

“BLITZU LED Headlamp Flashlight,” May 6, 2015, amazon.com, site visited Jan. 19, 2021, URL: [https://www.amazon.com/BLITZU-Rechargeable-Flashlight-Waterproof-Comfortable/dp/B08D34BCCR/ref=sr\\_1\\_190?dchild=1&keywords=headlamps&qid=1611089990&sr=8-190&th=1](https://www.amazon.com/BLITZU-Rechargeable-Flashlight-Waterproof-Comfortable/dp/B08D34BCCR/ref=sr_1_190?dchild=1&keywords=headlamps&qid=1611089990&sr=8-190&th=1) (Year: 2015).\*

(Continued)

*Primary Examiner* — Eric L Goodman  
*Assistant Examiner* — Sarah L Smith

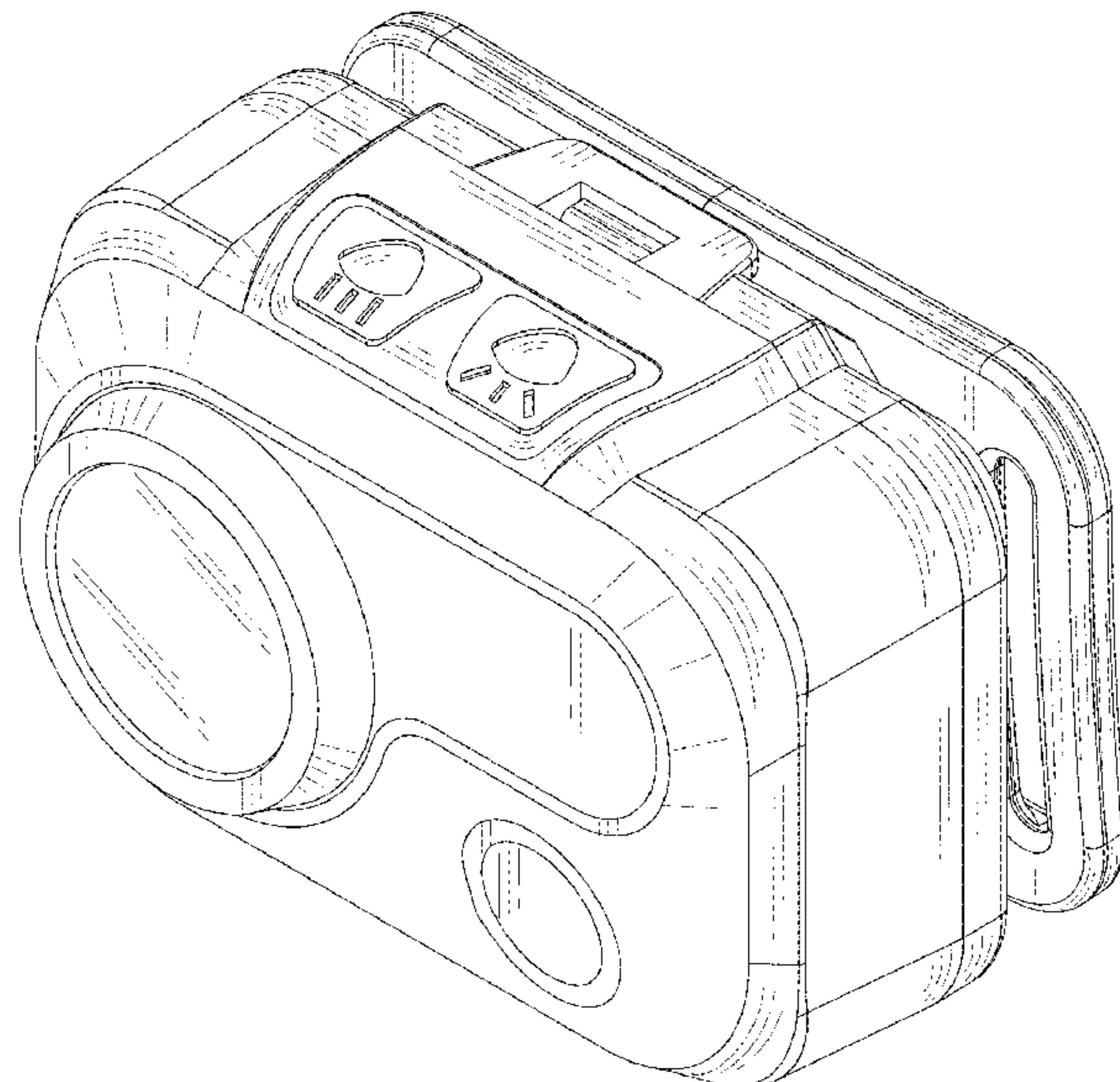
(57) **CLAIM**

The ornamental design for a headlamp, as shown and described.

**DESCRIPTION**

FIG. 1 is a front and top perspective view of a headlamp showing my new design;  
FIG. 2 is a front elevation view thereof;  
FIG. 3 is a rear elevation view thereof;  
FIG. 4 is a left side elevation view thereof;  
FIG. 5 is a right side elevation view thereof;  
FIG. 6 is a top plan view thereof;  
FIG. 7 is a bottom plan view thereof;  
FIG. 8 is a front and bottom perspective view thereof; and,  
FIG. 9 is a rear and bottom perspective view thereof.

**1 Claim, 9 Drawing Sheets**



(56)

**References Cited**

OTHER PUBLICATIONS

“UCOA-45 Comfort-Fit Headlamp,” May 20, 2016, trailspace.com, site visited Jan. 21, 2021, URL: <https://www.trailspace.com/gear/uco/a-45-comfort-fit-headlamp/> (Year: 2016).\*

“Cycle Torch Headlamp,” Mar. 6, 2017, amazon.com, site visited Jan. 19, 2021, URL: [https://www.amazon.com/Cycle-Torch-Headlamp-Lightweight-Waterproof/dp/B07DNPH5JW/ref=sr\\_1\\_103?crid=R53NFXSIRA49&dchild=1&keywords=black+diamond+headlamp&qid=1611069367&srefix=black+diamond%20](https://www.amazon.com/Cycle-Torch-Headlamp-Lightweight-Waterproof/dp/B07DNPH5JW/ref=sr_1_103?crid=R53NFXSIRA49&dchild=1&keywords=black+diamond+headlamp&qid=1611069367&srefix=black+diamond%20) (Year: 2017).\*

“Authentic SUNREI Youdo5 LED Headlamp,” May 28, 2018, fasttech.com, site visited Jan. 25, 2021, URL: <https://www.fasttech.com/product/9652029-authentic-sunrei-youdo5-led-headlamp> (Year: 2018).\*

“Black Diamond Storm 375 Headlamp,” Jan. 16, 2019, amazon.com, site visited Jan. 19, 2021, URL: [https://www.amazon.com/Black-Diamond-Unisex-Headlamp-Graphite/dp/B07MDVDCDC5/ref=sr\\_1\\_2?crid=R53NFXSIRA49&dchild=1&keywords=black+diamond+headlamp&qid=1611067155&srefix=black+diamond%20Caps%20C189&sr=8-2](https://www.amazon.com/Black-Diamond-Unisex-Headlamp-Graphite/dp/B07MDVDCDC5/ref=sr_1_2?crid=R53NFXSIRA49&dchild=1&keywords=black+diamond+headlamp&qid=1611067155&srefix=black+diamond%20Caps%20C189&sr=8-2) (Year: 2019).\*

\* cited by examiner

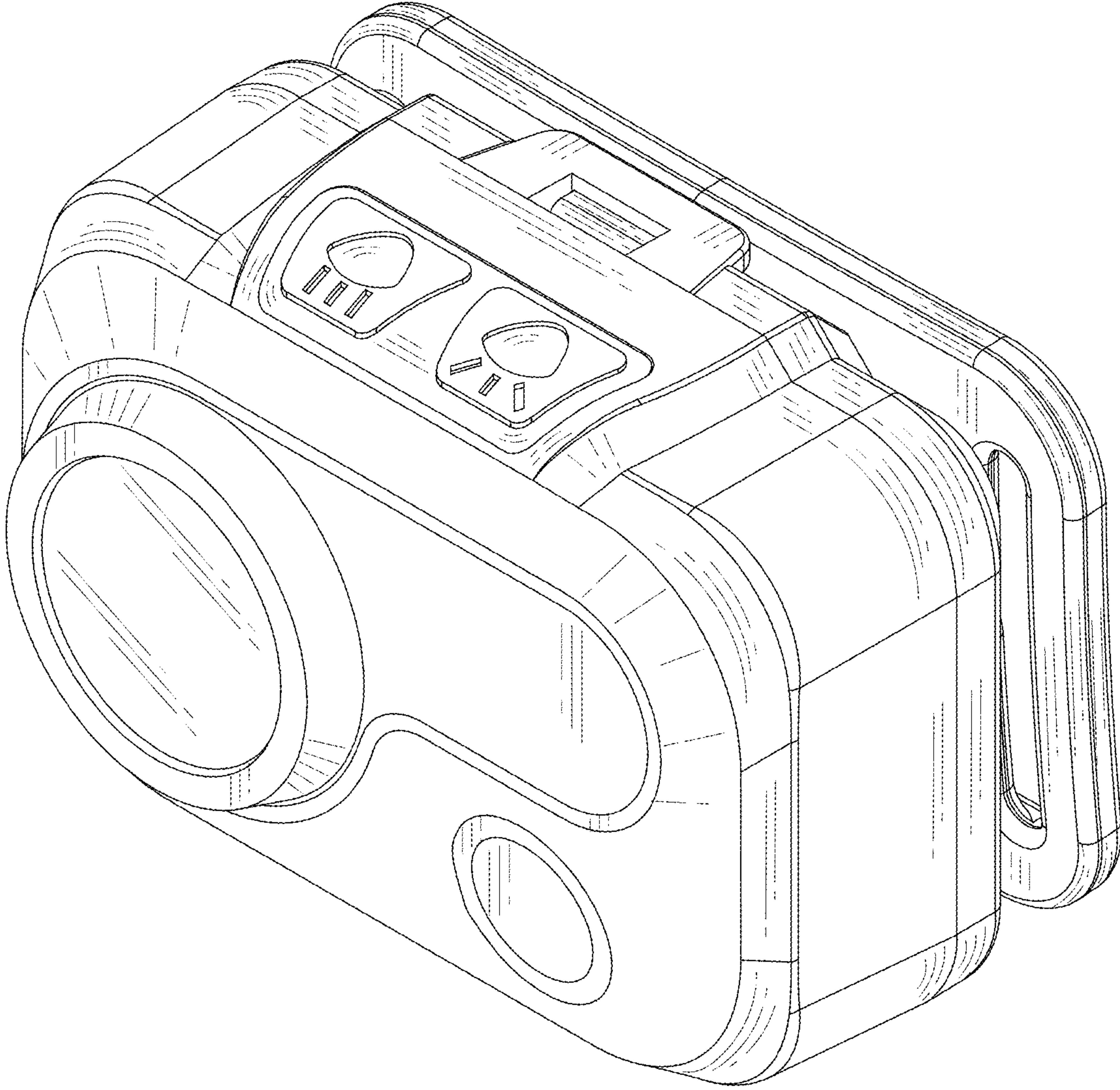


Figure 1



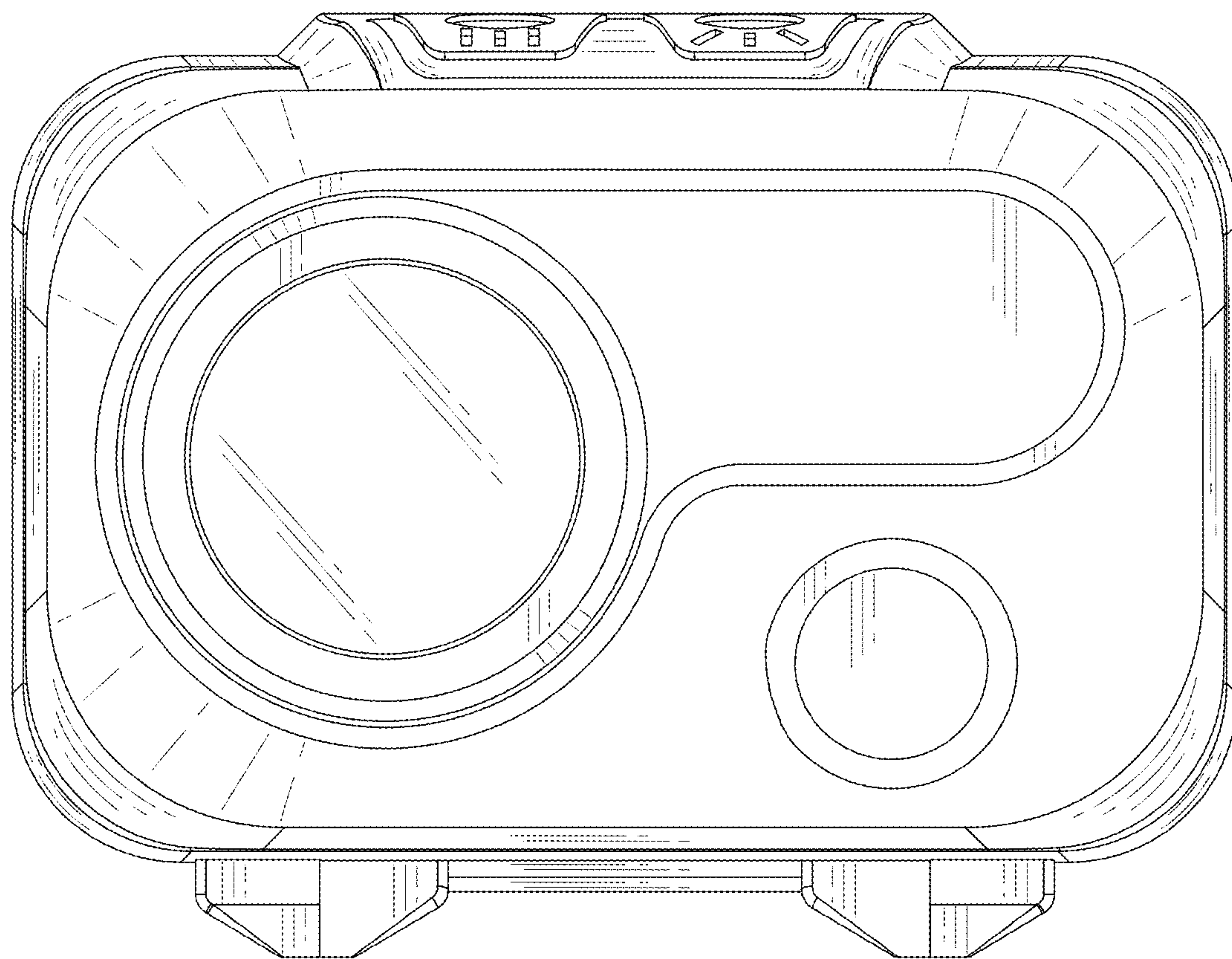


Figure 2

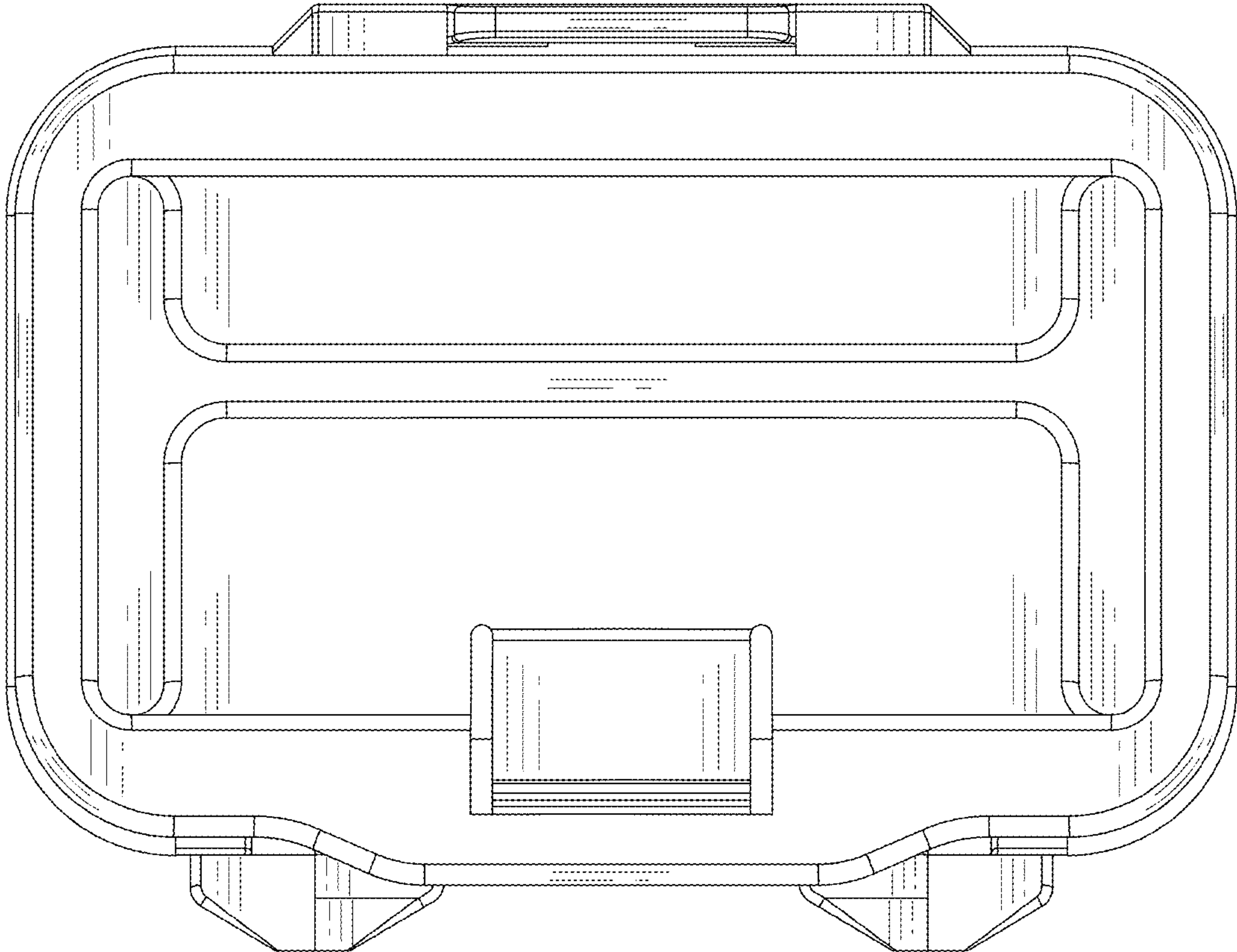


Figure 3

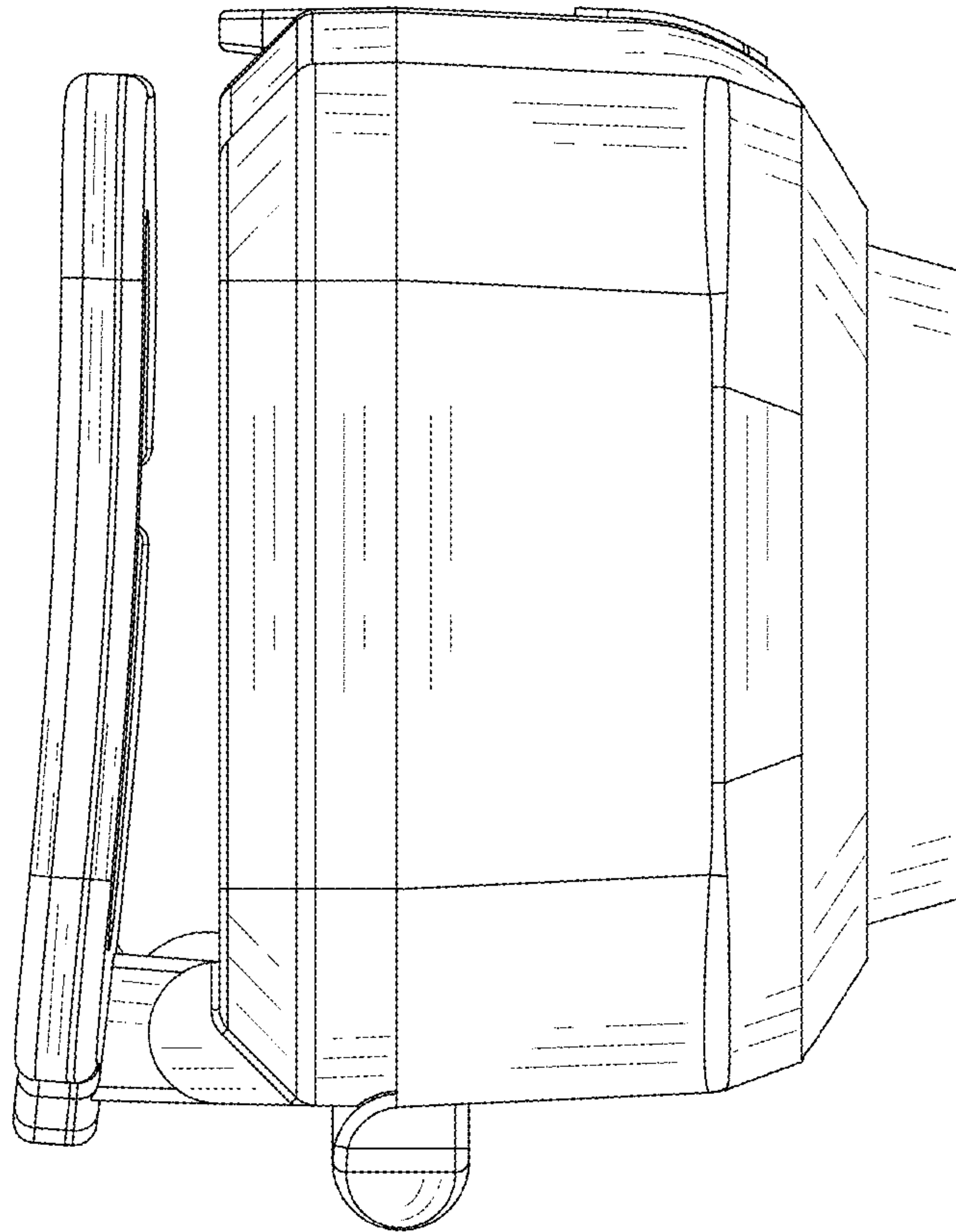


Figure 4

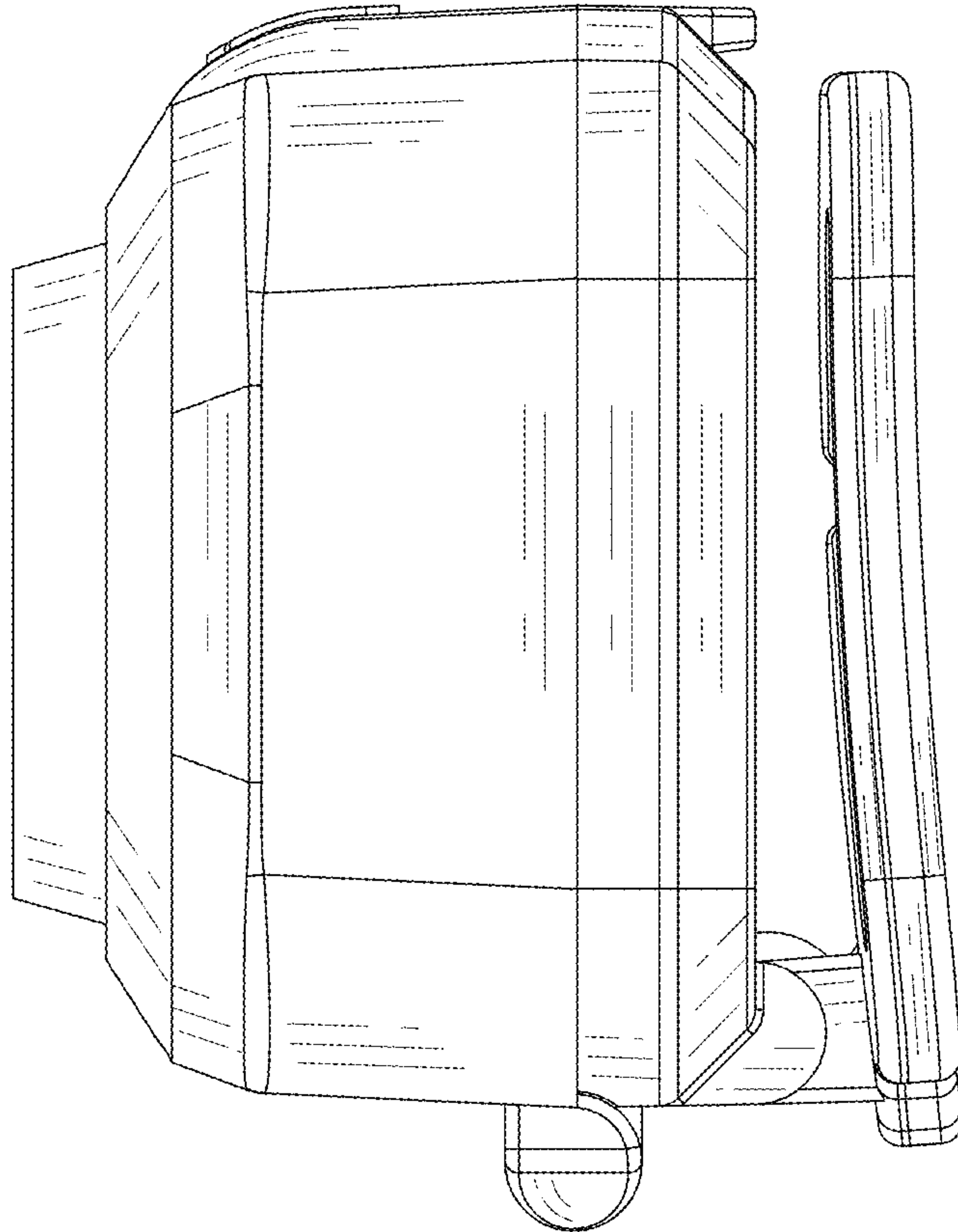


Figure 5

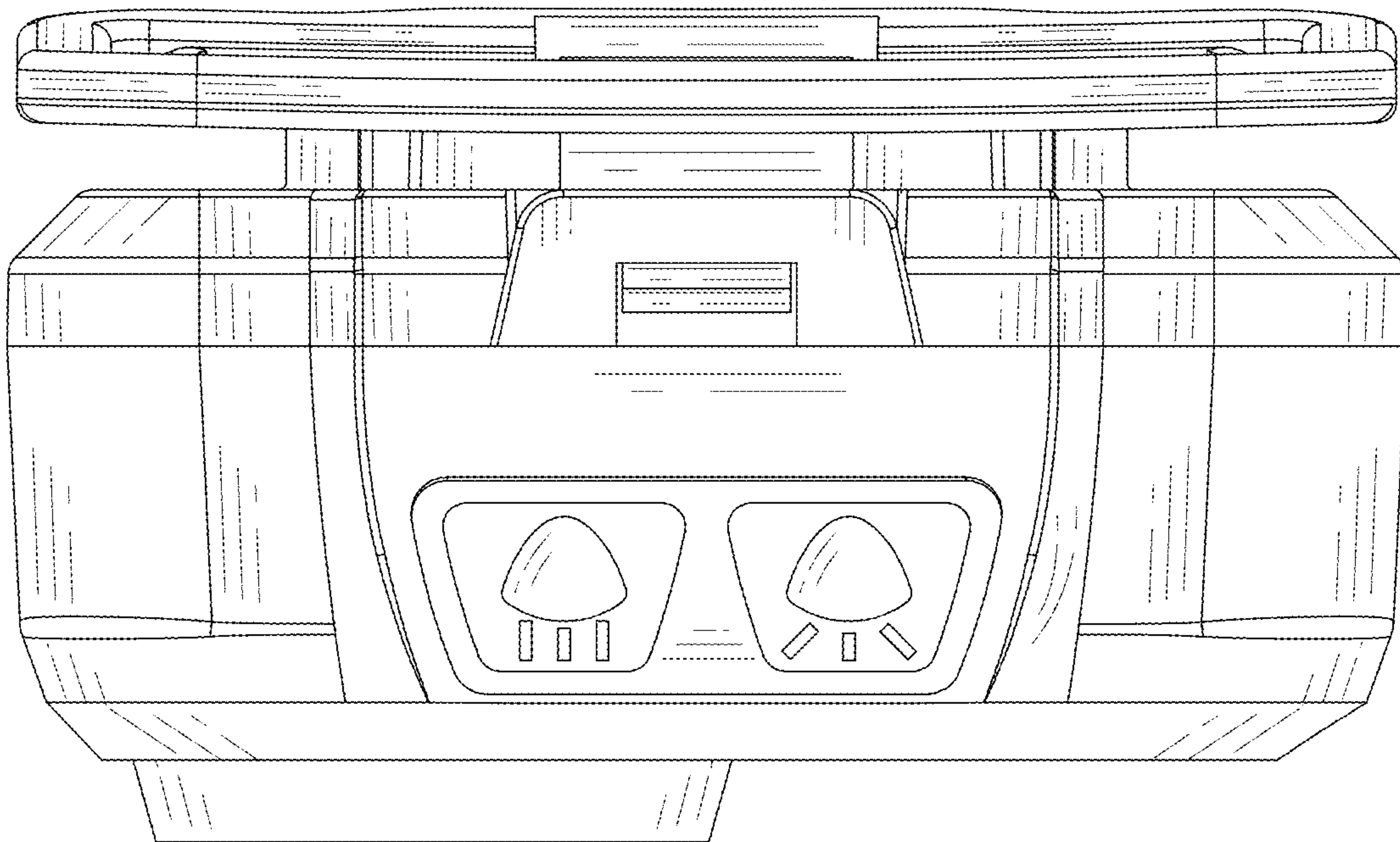


Figure 6



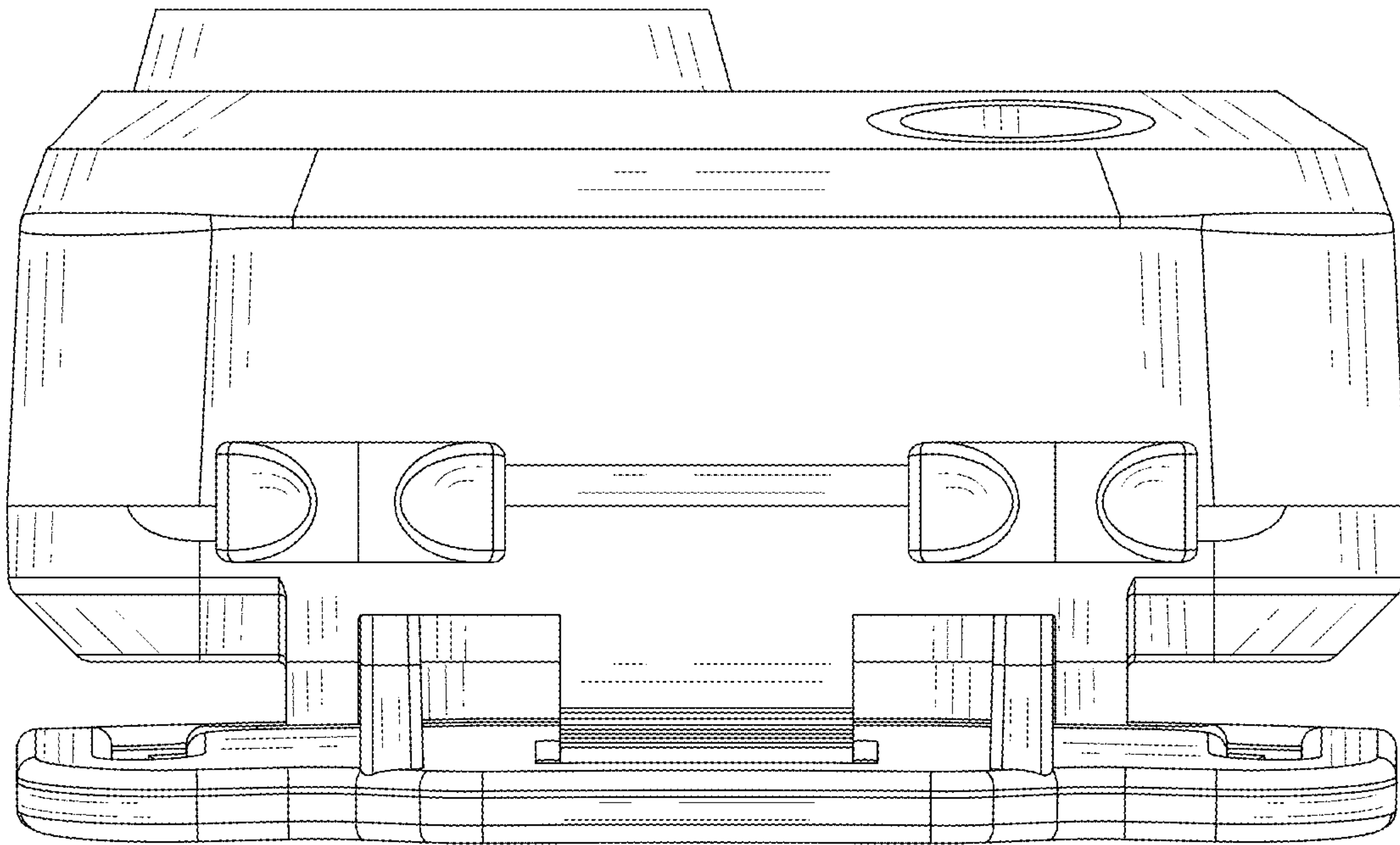


Figure 7

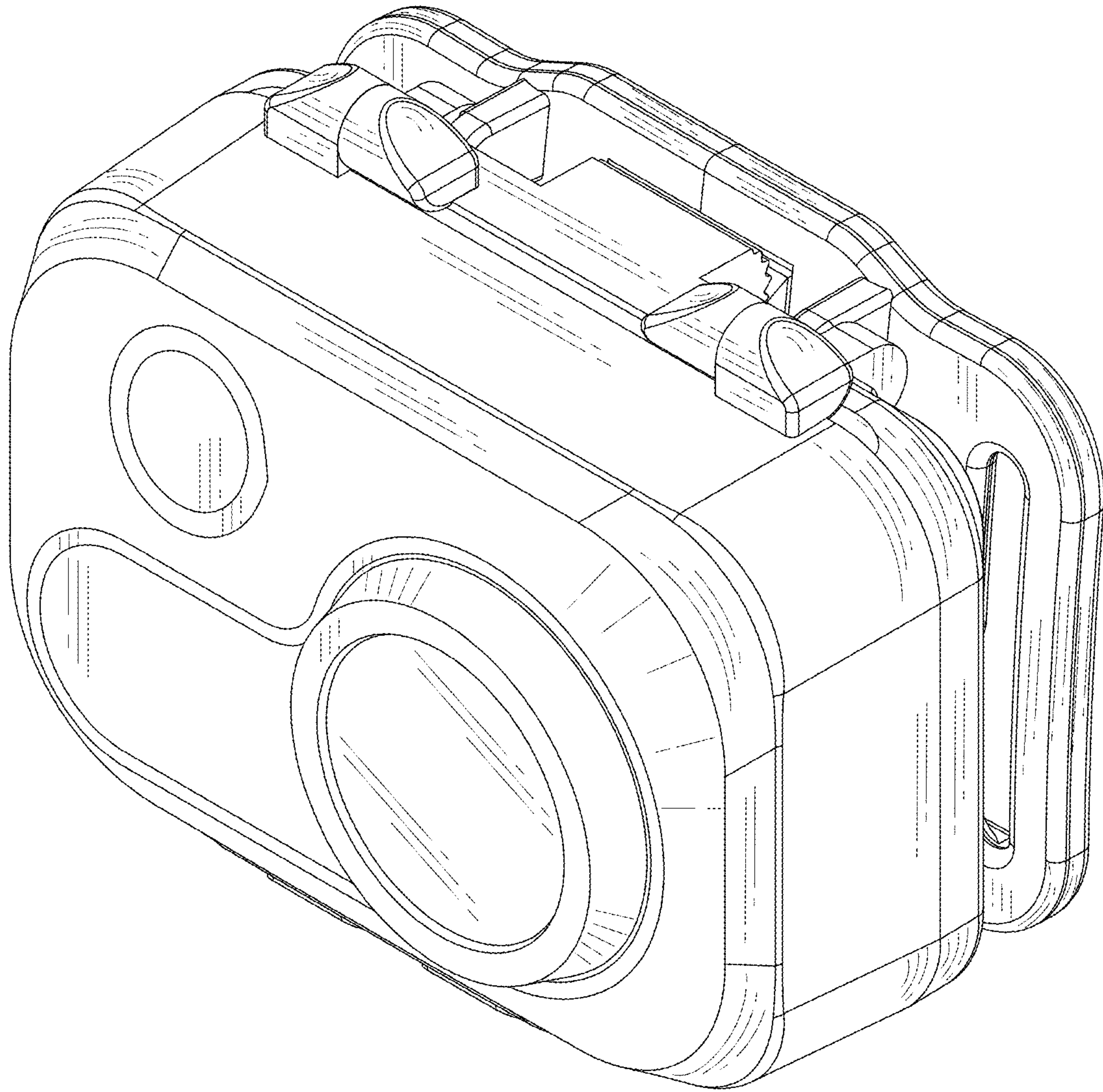


Figure 8

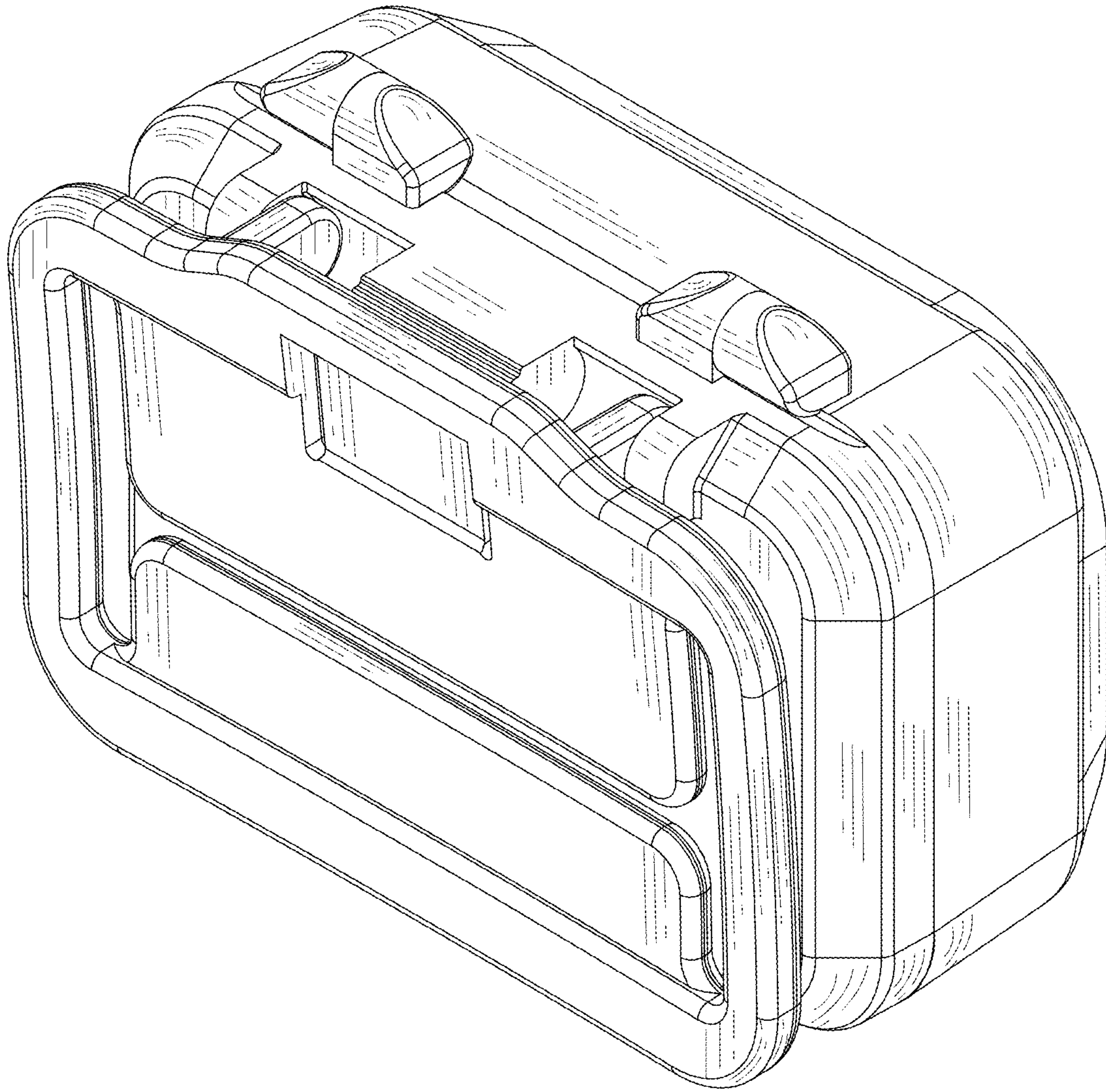


Figure 9