



US00D918446S

(12) **United States Design Patent** (10) **Patent No.:** **US D918,446 S**
Bourne (45) **Date of Patent:** **** May 4, 2021**

- (54) **FLASHLIGHT**
- (71) Applicant: **Energizer Brands, LLC**, St. Louis, MO (US)
- (72) Inventor: **Chris Bourne**, St. Louis, MO (US)
- (73) Assignee: **Energizer Brands, LLC**, St. Louis, MO (US)

- D480,826 S 10/2003 Englert et al.
- D492,807 S 7/2004 Dalton et al.
- D493,904 S 8/2004 Dalton et al.
- D494,299 S 8/2004 Dalton et al.
- D496,116 S 9/2004 Abernethy et al.
- D496,482 S 9/2004 Osiecki et al.
- D501,056 S 1/2005 Dalton et al.
- D502,278 S 2/2005 Dalton et al.
- D502,564 S 3/2005 Dalton et al.

(Continued)

- (**) Term: **15 Years**
- (21) Appl. No.: **29/690,442**

- (22) Filed: **May 8, 2019**
- (51) **LOC (13) Cl.** **26-02**
- (52) **U.S. Cl.**
USPC **D26/37**
- (58) **Field of Classification Search**
USPC D26/37-38, 40-42, 46, 49-50
CPC F21L 4/00; F21L 4/005; F21L 4/02; F21L 4/022; F21L 4/025; F21L 4/027; F21L 4/045; F21L 4/08; F21L 4/085; F21L 14/02

See application file for complete search history.

(56) **References Cited**

U.S. PATENT DOCUMENTS

- D360,045 S 7/1995 Inukai
- D421,145 S 2/2000 Man
- D445,934 S 7/2001 Dalton et al.
- D447,259 S 8/2001 Lynch et al.
- D448,876 S 10/2001 Osiecki et al.
- D448,878 S 10/2001 Dalton et al.
- D449,395 S 10/2001 Dalton et al.
- D449,703 S 10/2001 Dalton et al.
- D452,024 S * 12/2001 Sharrah D26/49
- D452,025 S 12/2001 Poon
- D455,513 S * 4/2002 Galli D26/49
- D467,375 S 12/2002 Lynch et al.
- D480,824 S 10/2003 Englert et al.
- D480,825 S 10/2003 Englert et al.

OTHER PUBLICATIONS

energizer.com: Performance Metal Inspection Light. Undated online product page. Retrieved on Sep. 24, 2020 from <<https://www.energizer.com/flashlights-lighting/energizer-performance-metal-inspection-light>> (Year: 2020).*

(Continued)

Primary Examiner — Sheryl Lane
Assistant Examiner — Stacey L Hopkins
(74) *Attorney, Agent, or Firm* — Alston & Bird LLP

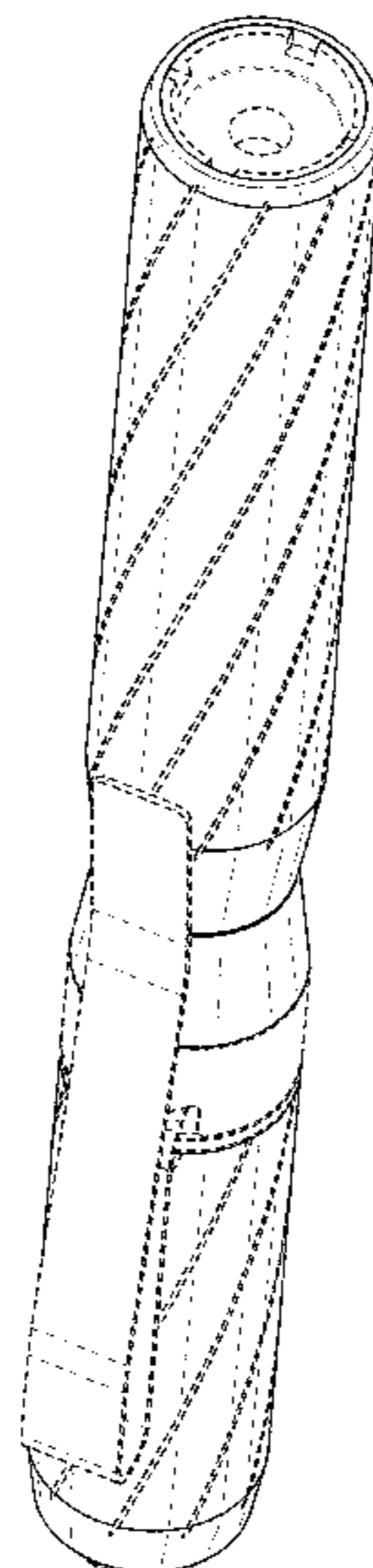
(57) **CLAIM**

The ornamental design for a flashlight, as shown and described.

DESCRIPTION

FIG. 1 is a bottom front perspective view of a flashlight according to my new design.
FIG. 2 is a top rear perspective view of the flashlight of FIG. 1.
FIG. 3 is a front view the flashlight of FIG. 1.
FIG. 4 is a back view of the flashlight of FIG. 1.
FIG. 5 is a left side view of the flashlight of FIG. 1.
FIG. 6 is a right side view of the flashlight of FIG. 1.
FIG. 7 is a top view of the flashlight of FIG. 1; and, FIG. 8 is a bottom view of the flashlight of FIG. 1.
Throughout the drawings the broken lines depict portions of the flashlight that form no part of the claimed design.

1 Claim, 7 Drawing Sheets



(56)

References Cited

U.S. PATENT DOCUMENTS

D503,991 S 4/2005 Dalton et al.
 D504,534 S 4/2005 Osiecki et al.
 D504,737 S 5/2005 Osiecki et al.
 D504,740 S 5/2005 Dalton et al.
 D504,966 S 5/2005 Osiecki et al.
 D507,064 S 7/2005 Osiecki et al.
 D514,721 S 2/2006 Osiecki et al.
 D518,216 S 3/2006 Rugendyke et al.
 D518,217 S 3/2006 Rugendyke et al.
 7,070,297 B1* 7/2006 Muhlneckel, Jr. F21L 4/005
 362/202
 D531,337 S 10/2006 Dalton et al.
 D531,747 S 11/2006 Brown
 D536,464 S 2/2007 Kingston et al.
 D544,118 S 6/2007 Osiecki et al.
 D549,373 S 8/2007 Osiecki et al.
 D549,377 S 8/2007 Osiecki et al.
 D552,279 S 10/2007 Osiecki et al.
 D552,280 S 10/2007 Osiecki et al.
 D552,776 S 10/2007 Osiecki et al.
 D553,283 S 10/2007 Rugendyke et al.
 D554,786 S 11/2007 Rugendyke et al.
 D560,297 S 1/2008 Brown et al.
 D562,480 S 2/2008 Spartano et al.
 D574,529 S 8/2008 Squires et al.
 D577,140 S 9/2008 Brown et al.
 D579,135 S 10/2008 Shiu
 D589,635 S 3/2009 Rugendyke et al.
 D598,151 S 8/2009 McGraw
 D603,990 S 11/2009 Brown et al.
 D605,795 S 12/2009 Baker et al.
 D617,023 S 6/2010 Rugendyke et al.
 D620,161 S 7/2010 Kang et al.
 D625,448 S 10/2010 Brown et al.
 D628,727 S 12/2010 Risch et al.
 D637,747 S 5/2011 Hesse et al.
 D675,764 S* 2/2013 Boutet D26/49
 D676,170 S* 2/2013 Feng D26/38
 D681,858 S 5/2013 Sharrah et al.
 D688,401 S 8/2013 Kung
 D690,448 S 9/2013 Yeh
 D706,476 S* 6/2014 Lee D26/49
 D707,869 S 6/2014 Wu
 D716,983 S 11/2014 Ma
 D728,139 S 4/2015 Wang
 D742,570 S 11/2015 Brown et al.
 D743,075 S* 11/2015 Keaton D26/49
 D744,136 S 11/2015 Osiecki et al.
 D765,899 S 9/2016 Hine et al.
 D767,184 S 9/2016 Fitch et al.

D767,187 S 9/2016 Hine
 D770,071 S* 10/2016 Windom D26/49
 D772,456 S* 11/2016 Bertken D26/49
 D785,841 S 5/2017 Brown et al.
 D785,940 S 5/2017 Reed
 D798,482 S 9/2017 O'Doherty et al.
 D799,087 S* 10/2017 Koshiba D26/49
 D806,295 S 12/2017 Kang et al.
 9,845,938 B1* 12/2017 Kaye F21V 15/04
 D811,636 S* 2/2018 Galli D26/49
 9,933,146 B2* 4/2018 Maglica F21V 23/0492
 D817,528 S* 5/2018 Wu D26/38
 D818,621 S* 5/2018 Kunzendorf D26/49
 D822,864 S* 7/2018 Windom D26/51
 D826,439 S 8/2018 Ma
 D833,661 S 11/2018 Ma
 D837,428 S 1/2019 Arena
 D840,854 S* 2/2019 Shi D10/114.1
 D849,979 S* 5/2019 Lehovetzki D26/49
 D851,310 S 6/2019 Windom et al.
 D851,797 S* 6/2019 Sharrah D26/49
 D855,850 S 8/2019 Brown
 D858,831 S 9/2019 Proeber
 D866,030 S 11/2019 Bao
 D882,840 S* 4/2020 Liu D26/49
 D883,546 S 5/2020 Li
 D891,663 S* 7/2020 Weizel D26/49
 2008/0304258 A1 12/2008 Mcmillan et al.
 2010/0090613 A1 4/2010 Spartano

OTHER PUBLICATIONS

amazon.com: Energizer LED Pen Light. Date uploaded: Jan. 13, 2020 [site visited Sep. 24, 2020]. Retrieved from internet: <https://www.amazon.com/dp/B083T6C7DK?tag=price17305-20&ascsubtag=wtbs_5f6cda009bce145cf8b6287b> (Year: 2020).*
 ebay.com: Energizer LED Pen Light, Aircraft-Grade Aluminum Body. Undated online product page. Retrieved on Sep. 24, 2020 from <<https://www.ebay.com/i/124250146708?chn=ps&norover=1&mkevt=1&mkrid=711-117182-37290-0&mkcid=2&itemid=124250146708&targetid=935694488066&device=...>> (Year: 2020).*
 grainger.com: Energizer 400 Lm. LED 2AA Flashlight. Undated online product page. Retrieved on Sep. 24, 2020 from <<https://www.doitbest.com/shop/electrical/batteries-and-flashlights/flashlights-and-lanterns/led-flashlight/energizer-400-lm-led-2aa-flashlight?SKU=802040>> (Year: 2020).*
 Energizer Hard Case Professional Light, [online], [site visited Nov. 13, 2020], [Available from Internet], URL:<https://www.annazon.com/Energizer-Hard-Case-Professional-Light/dp/B000R8J8CQ?ref=ast_sto_dp&th=1&pssc=1>5> pages (Year: 2007).

* cited by examiner

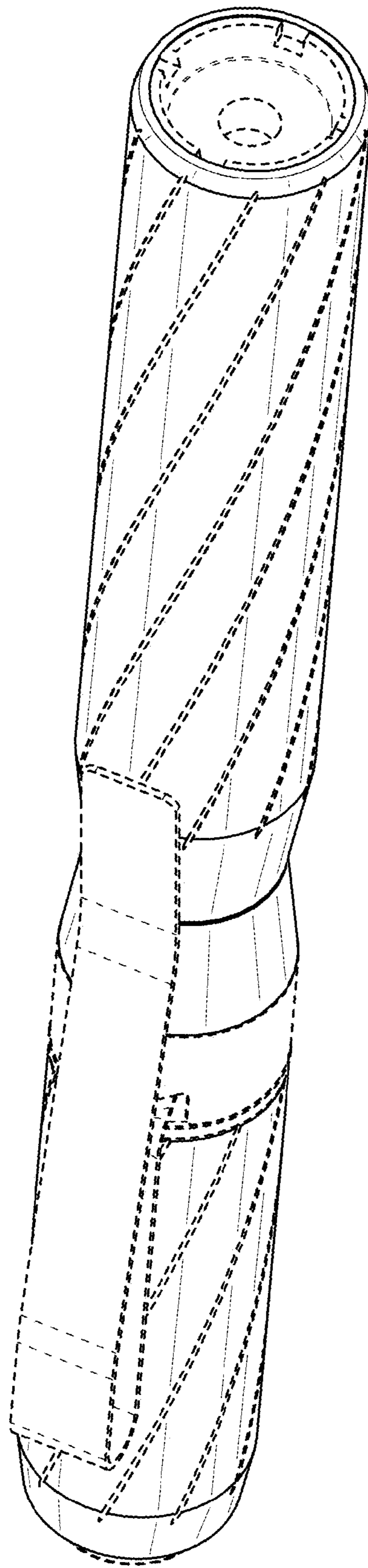


FIG. 1

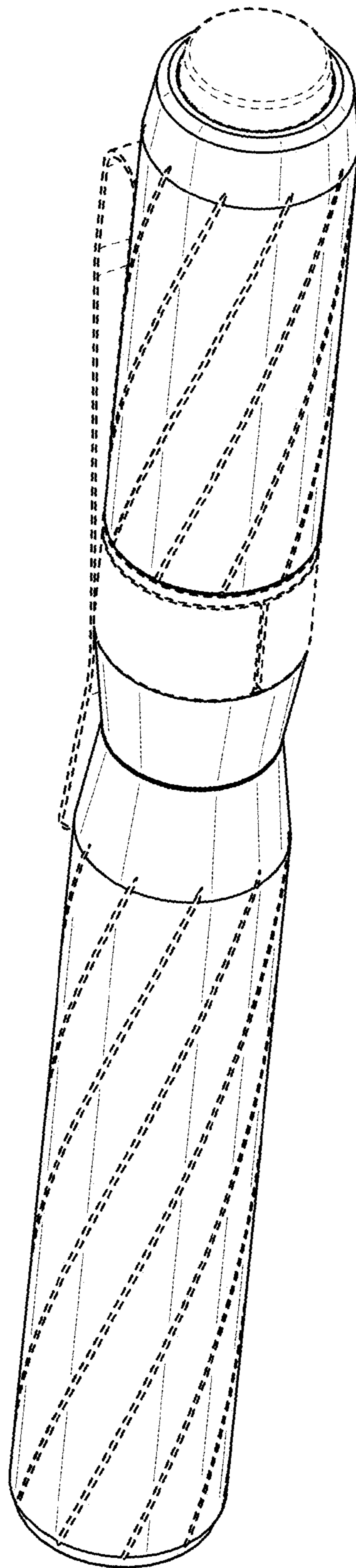


FIG. 2

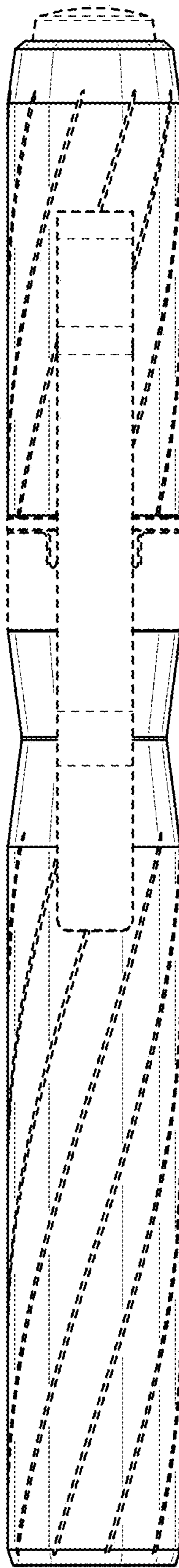


FIG. 3

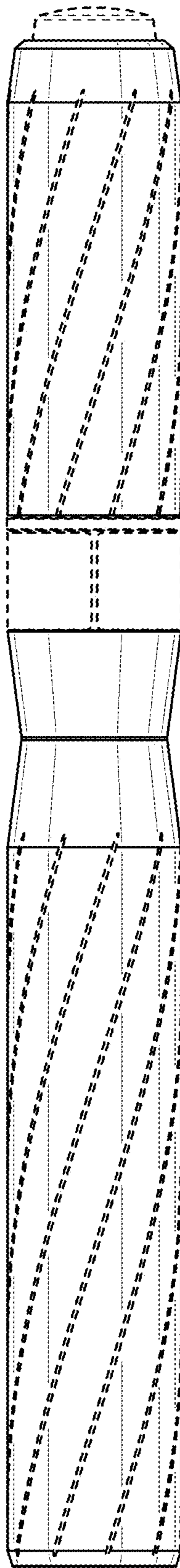


FIG. 4

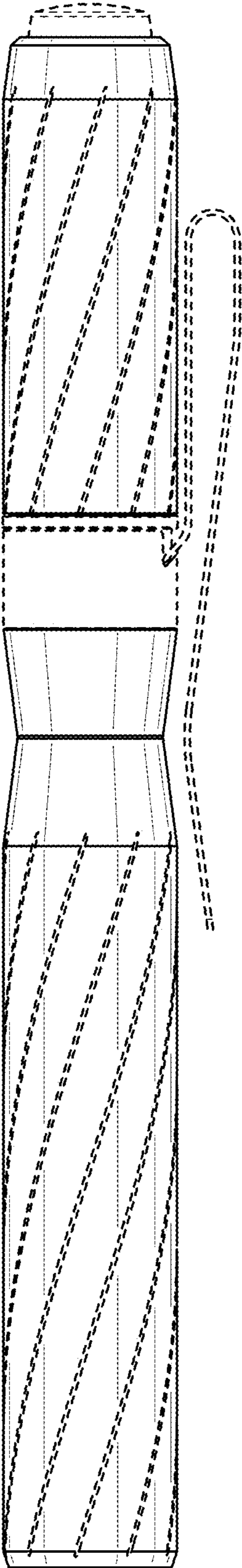


FIG. 5

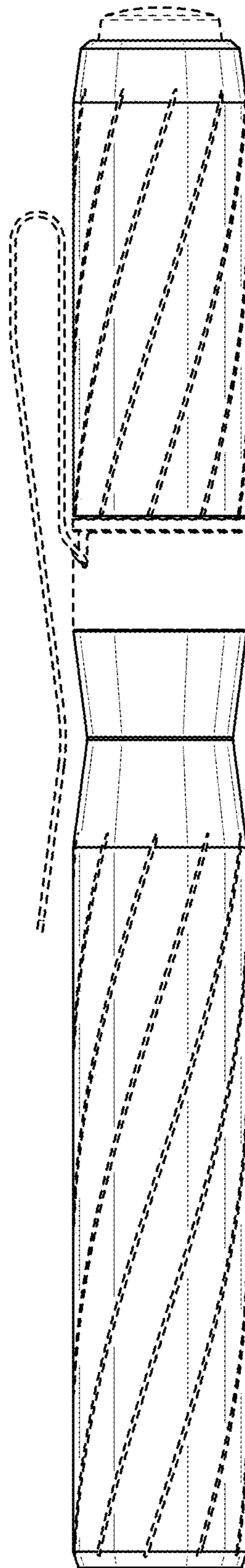


FIG. 6

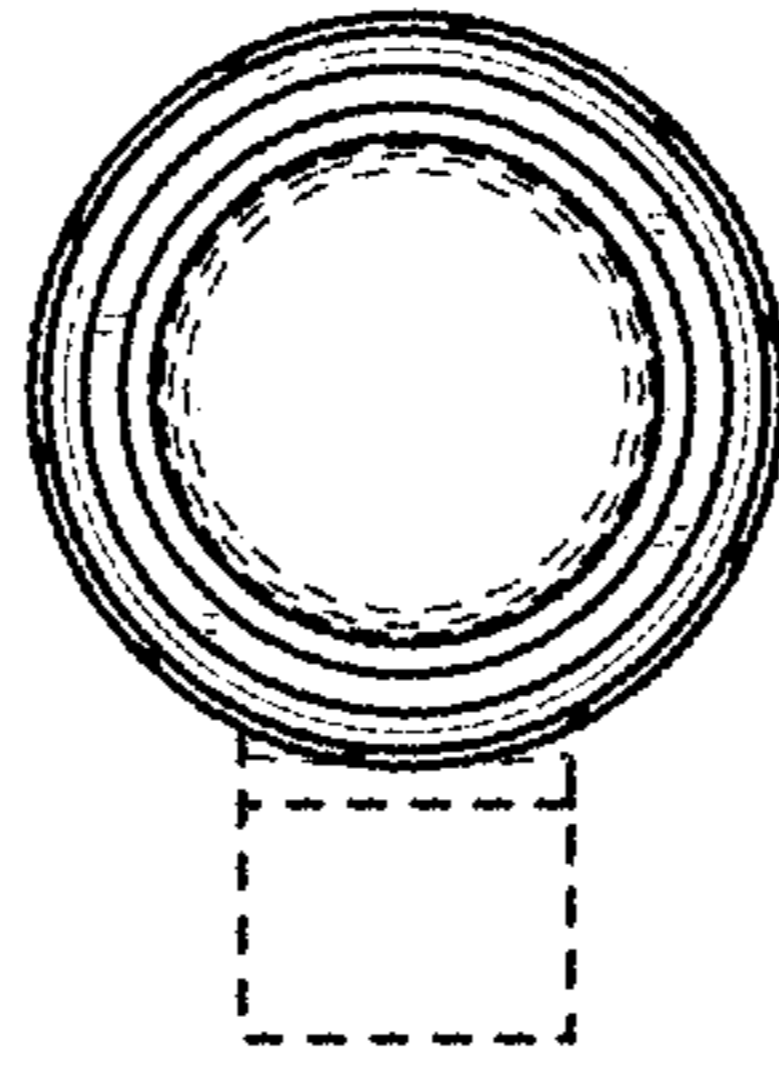


FIG. 7

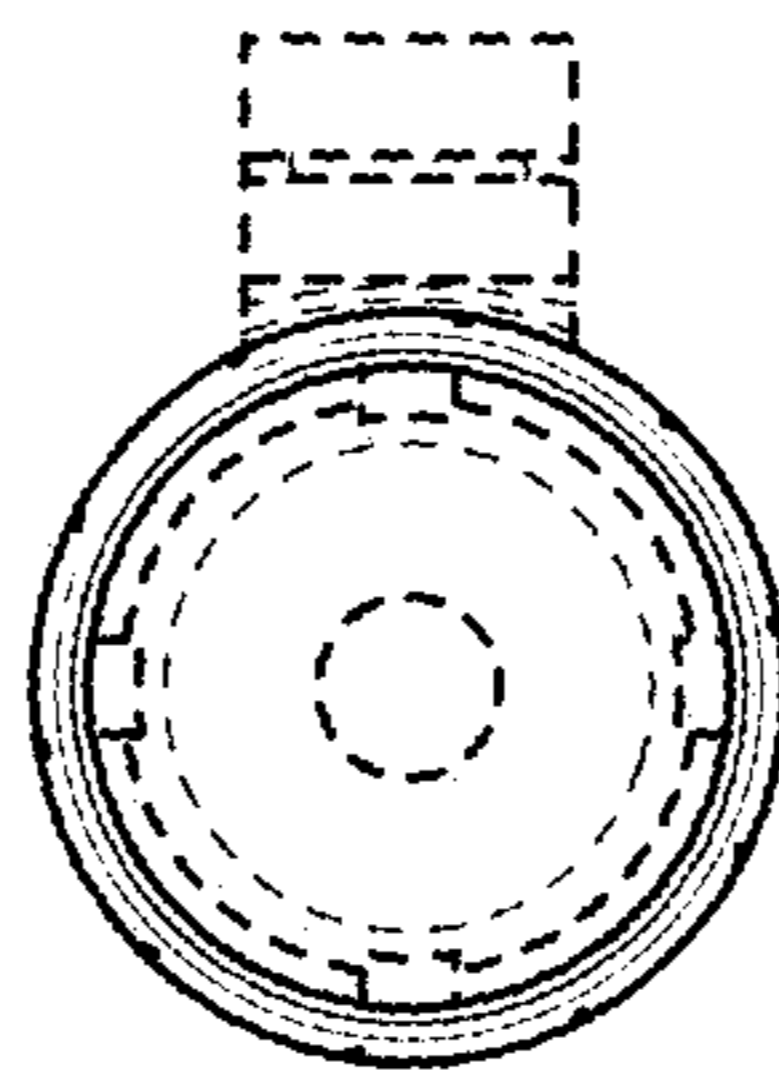


FIG. 8