



US00D918445S

(12) **United States Design Patent**  
**Wu**

(10) **Patent No.:** **US D918,445 S**

(45) **Date of Patent:** **\*\* May 4, 2021**

(54) **CAR DOOR LIGHT PROJECTOR**

(71) Applicant: **Qiang Wu**, Hubei Province (CN)

(72) Inventor: **Qiang Wu**, Hubei Province (CN)

(\*\*) Term: **15 Years**

(21) Appl. No.: **29/748,953**

(22) Filed: **Sep. 2, 2020**

(51) **LOC (13) Cl.** ..... **26-06**

(52) **U.S. Cl.**  
USPC ..... **D26/36**

(58) **Field of Classification Search**  
USPC ..... D26/28-36, 136  
CPC ..... F21S 48/00; F21S 48/10; F21S 48/115;  
F21S 48/225; F21S 48/1233; F21S  
48/1266; F21S 48/1388; F21S 48/2268;  
F21V 5/00; F21V 21/04; F21V 29/004;  
B60Q 9/13; B60Q 9/135; B60Q 9/1375  
See application file for complete search history.

(56) **References Cited**

**U.S. PATENT DOCUMENTS**

D243,274 S \* 2/1977 Miceli ..... D26/36  
D708,373 S \* 7/2014 Kani ..... D26/28  
D711,023 S \* 8/2014 Wu ..... D26/28

D747,517 S \* 1/2016 Lai ..... D26/28  
D760,407 S \* 6/2016 Yang ..... D26/28  
D858,846 S 9/2019 Flugel et al.

\* cited by examiner

*Primary Examiner* — Marcus A Jackson

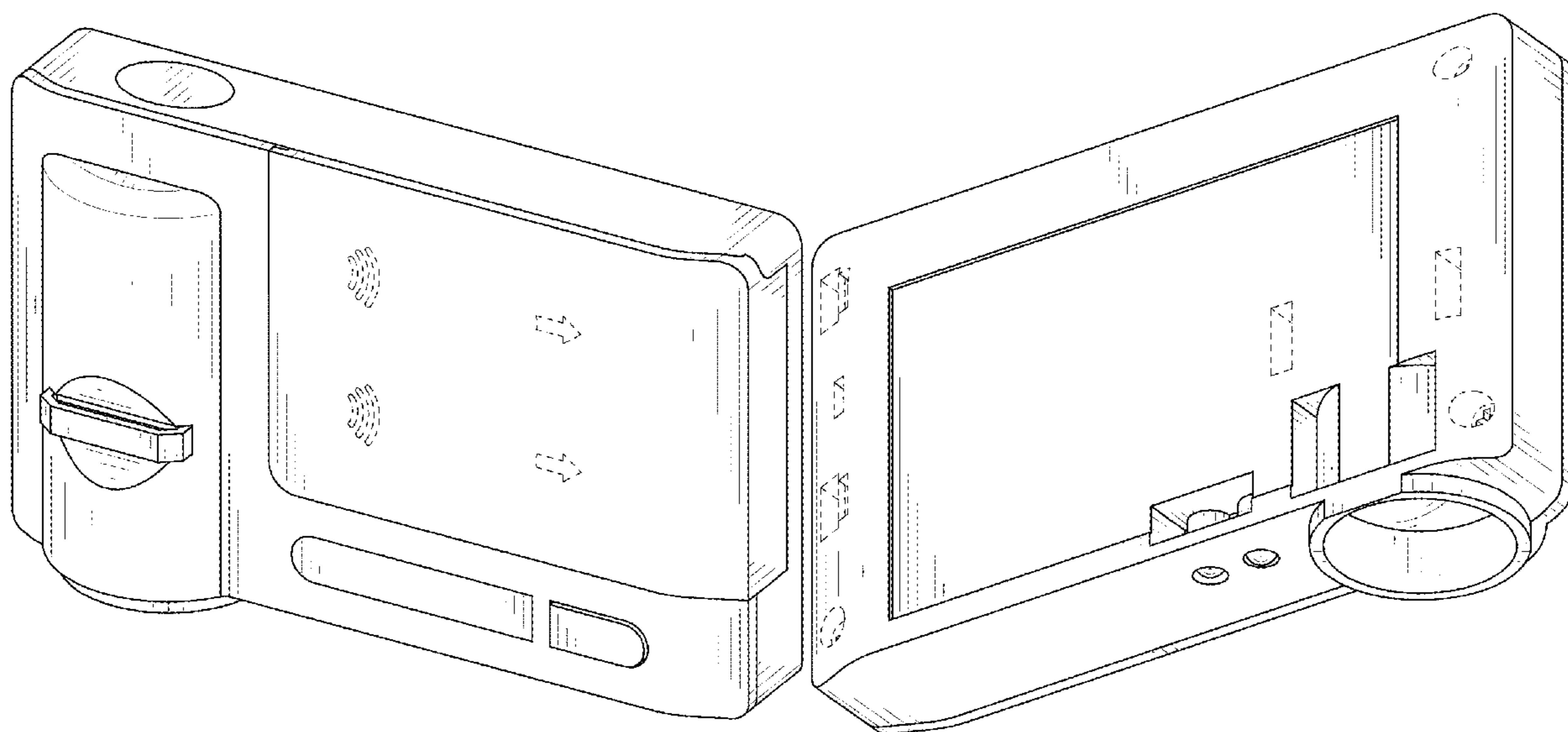
(57) **CLAIM**

The ornamental design for a car door light projector, as shown and described.

**DESCRIPTION**

FIG. 1 is a front and top perspective view of a car door light projector, showing my new design;  
FIG. 2 is a rear and bottom perspective view thereof;  
FIG. 3 is a front elevational view thereof;  
FIG. 4 is a rear elevational view thereof;  
FIG. 5 is a left side elevational view thereof;  
FIG. 6 is a right side elevational view thereof;  
FIG. 7 is a top plan view thereof;  
FIG. 8 is a bottom plan view thereof;  
FIG. 9 is an exploded view thereof; and,  
FIG. 10 is a perspective view thereof, showing the car door light projector in a using position.  
The broken lines in the figures illustrate portions of the article that form no part of the claimed design. The broken lines showing of a car represent environmental structure that form no part of the claimed design.

**1 Claim, 10 Drawing Sheets**



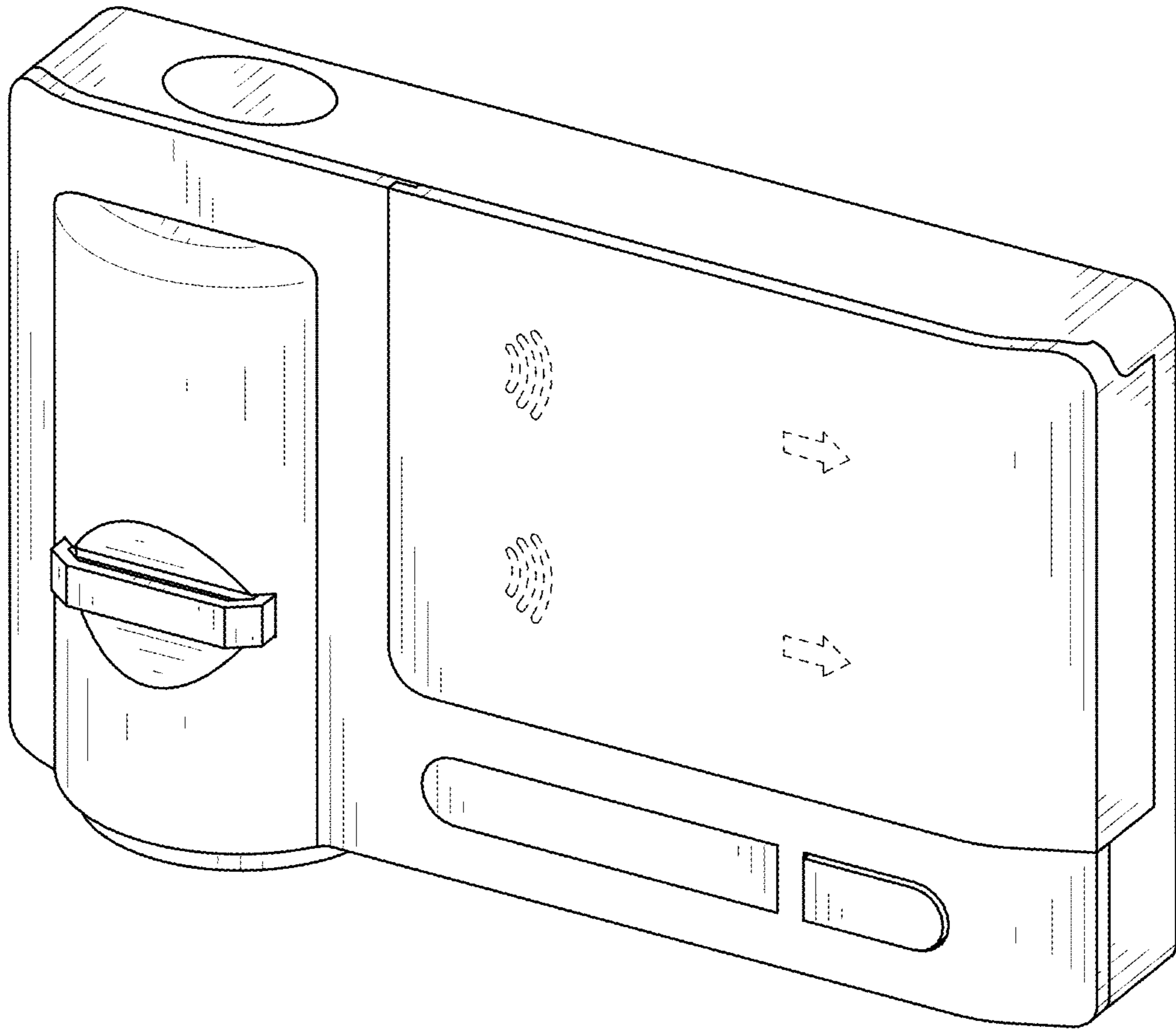


FIG. 1

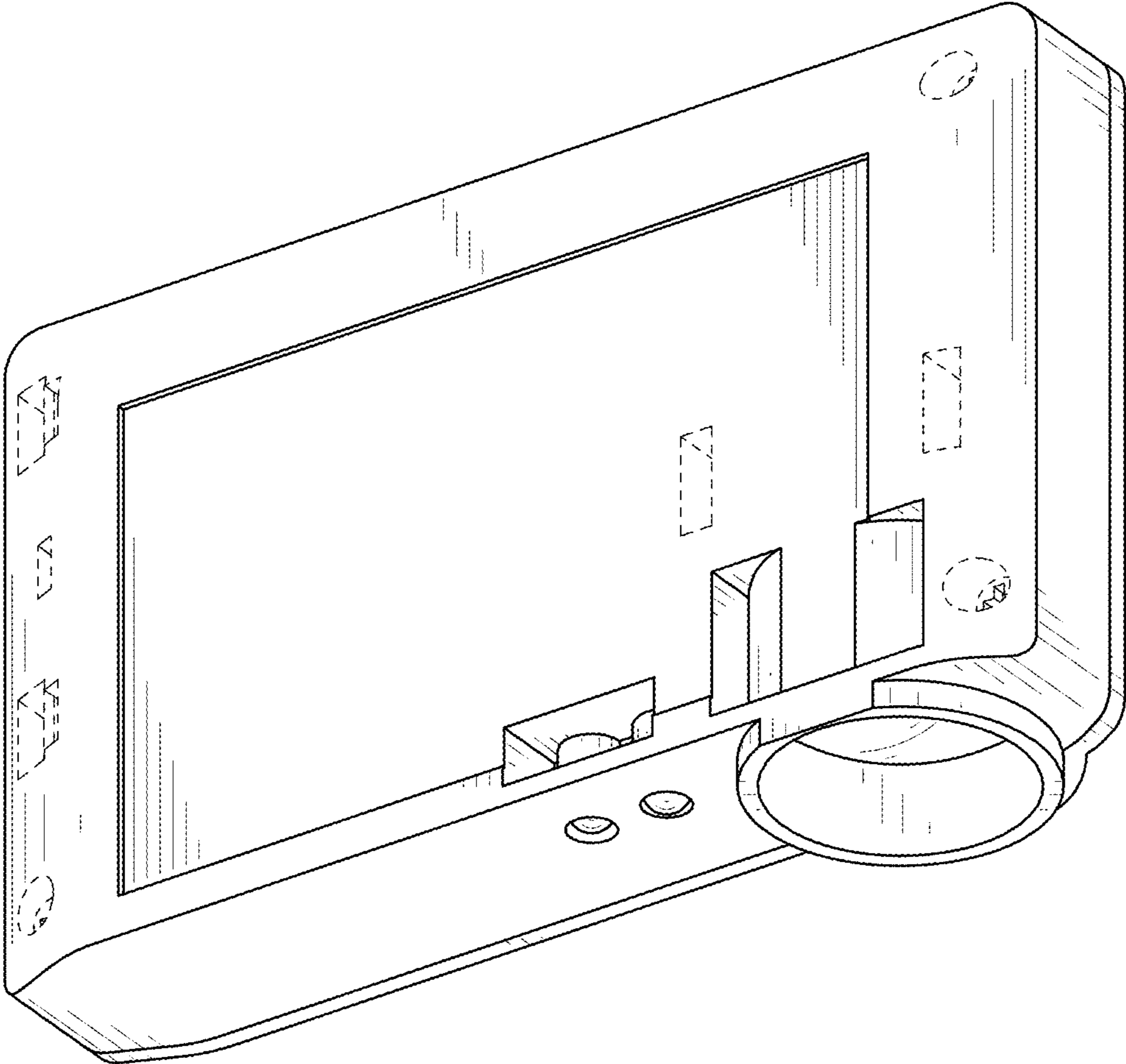


FIG. 2

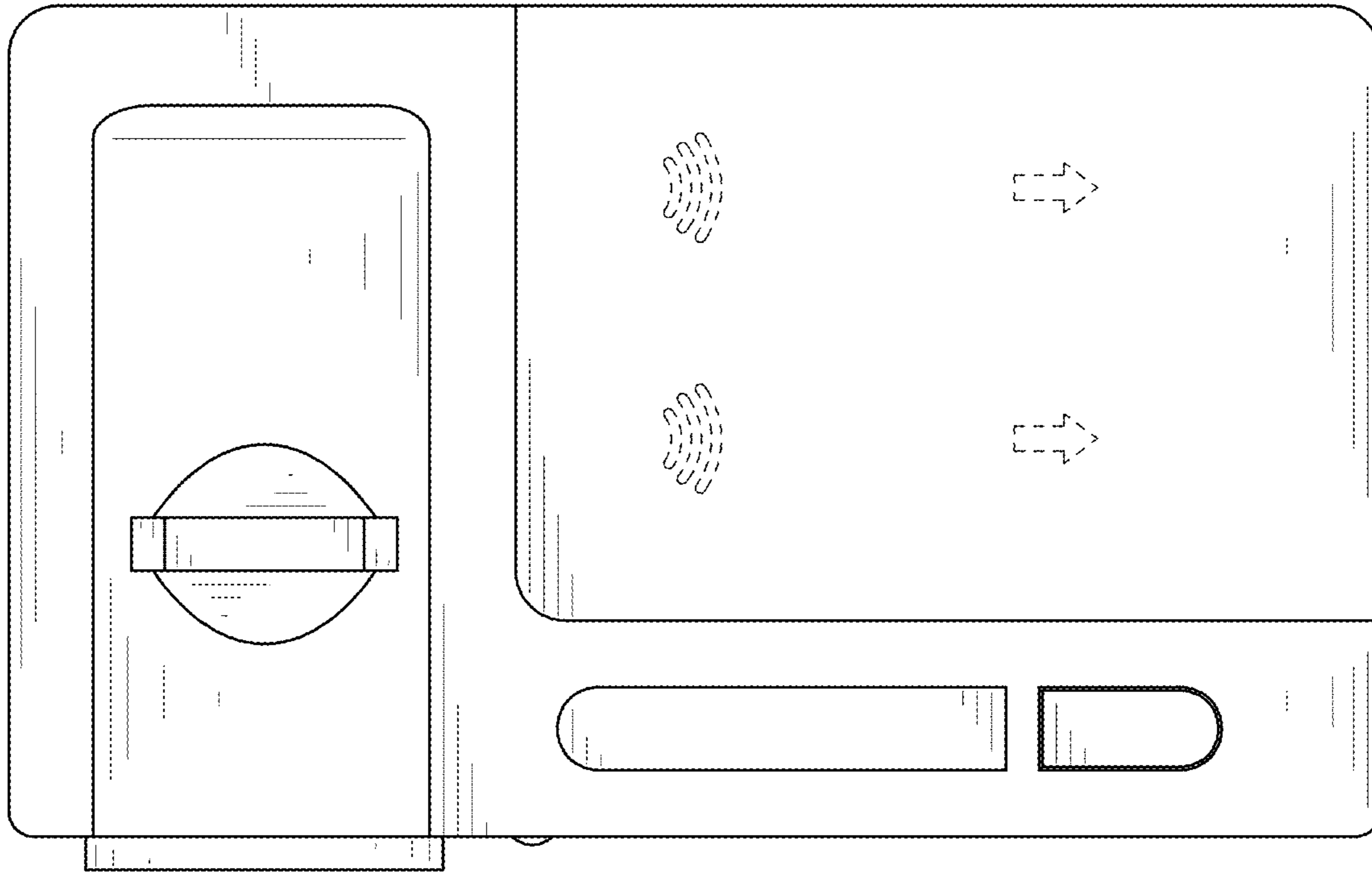


FIG. 3

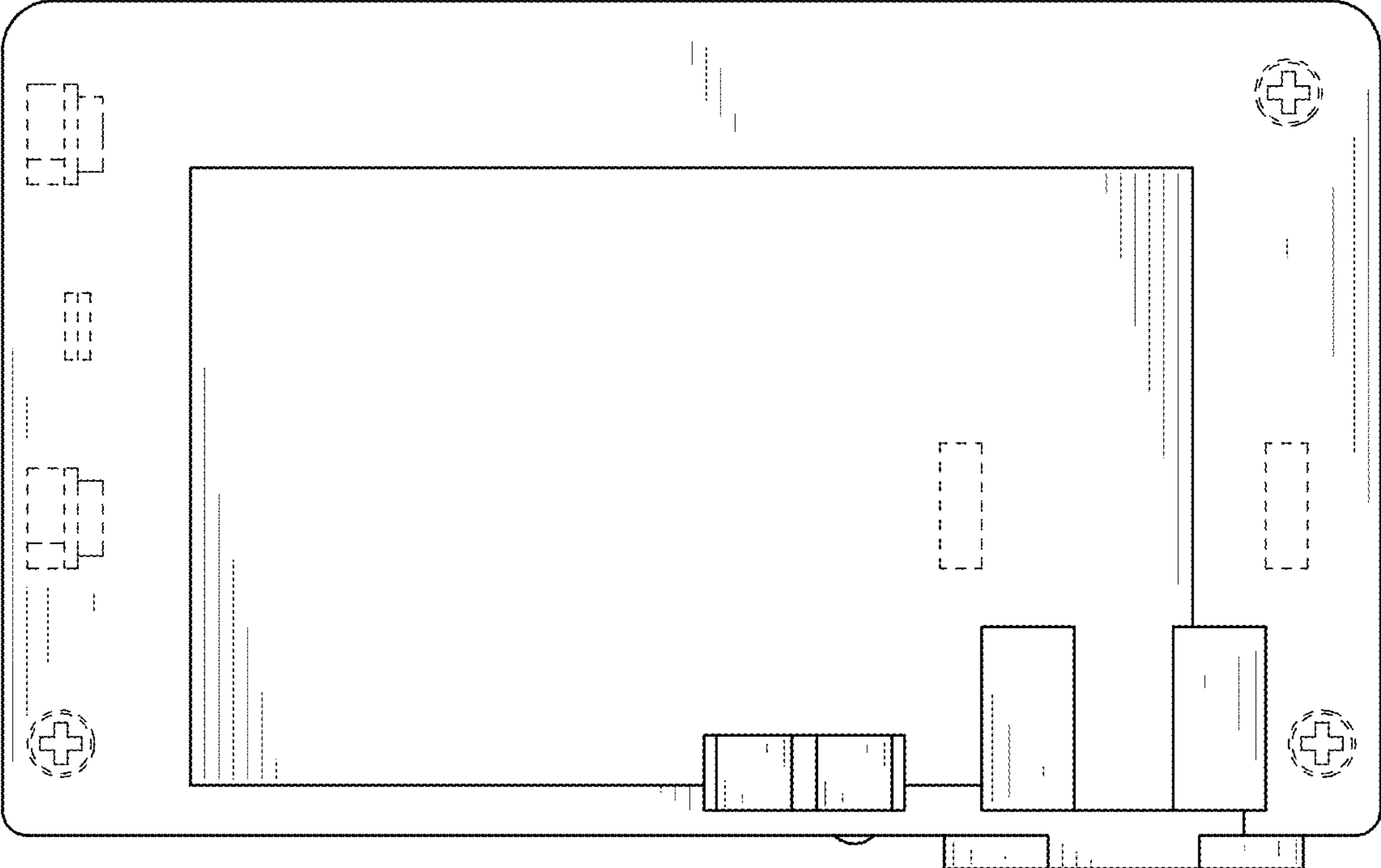


FIG. 4

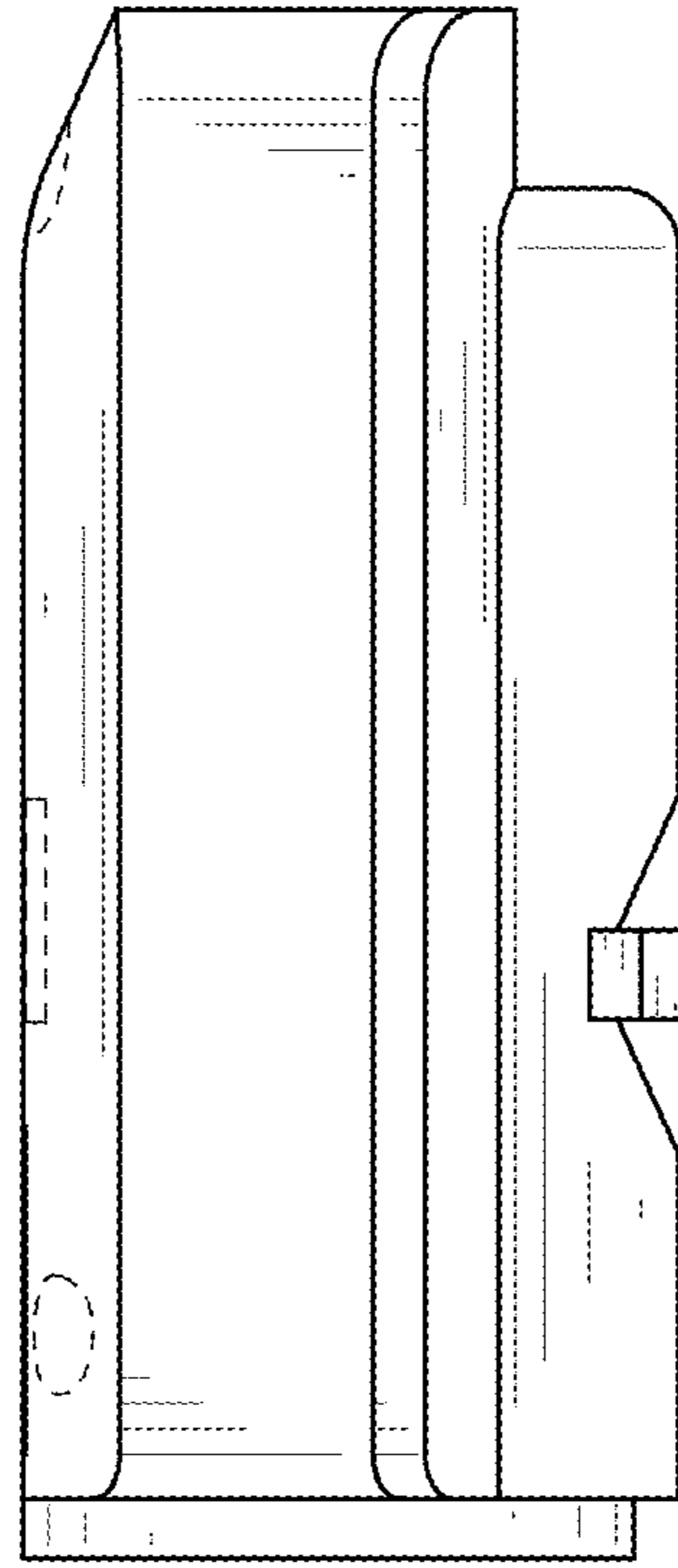


FIG. 5

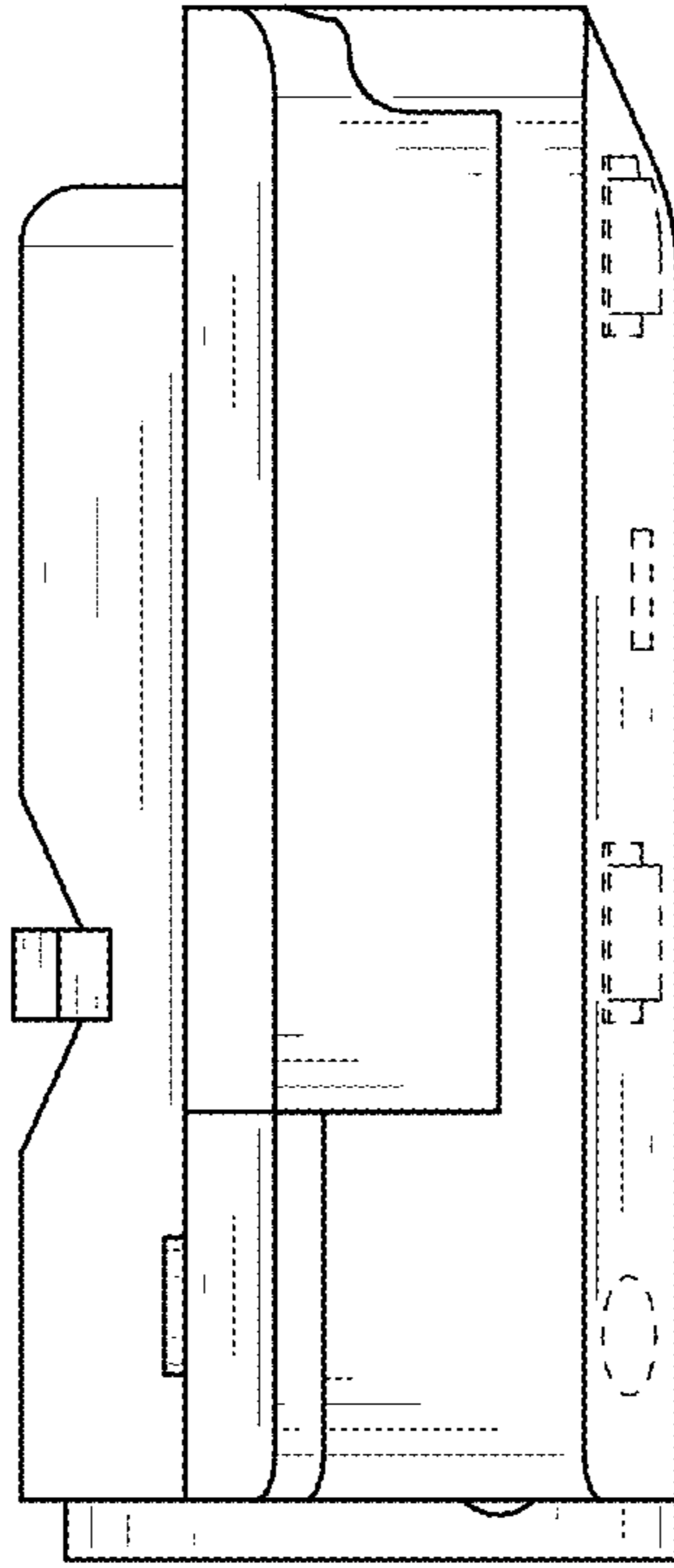


FIG. 6

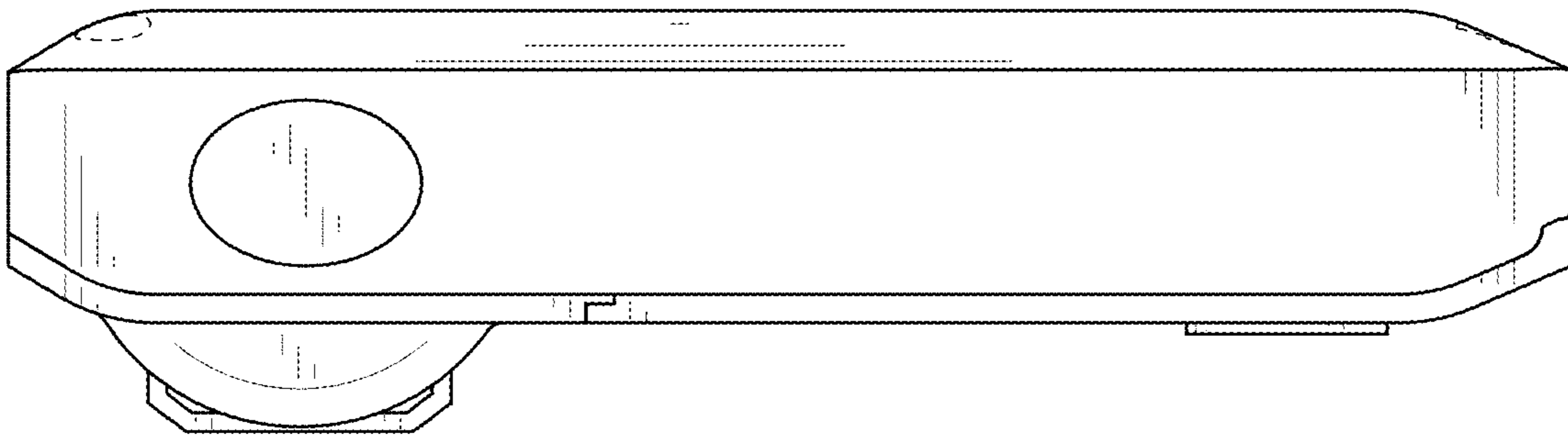


FIG. 7



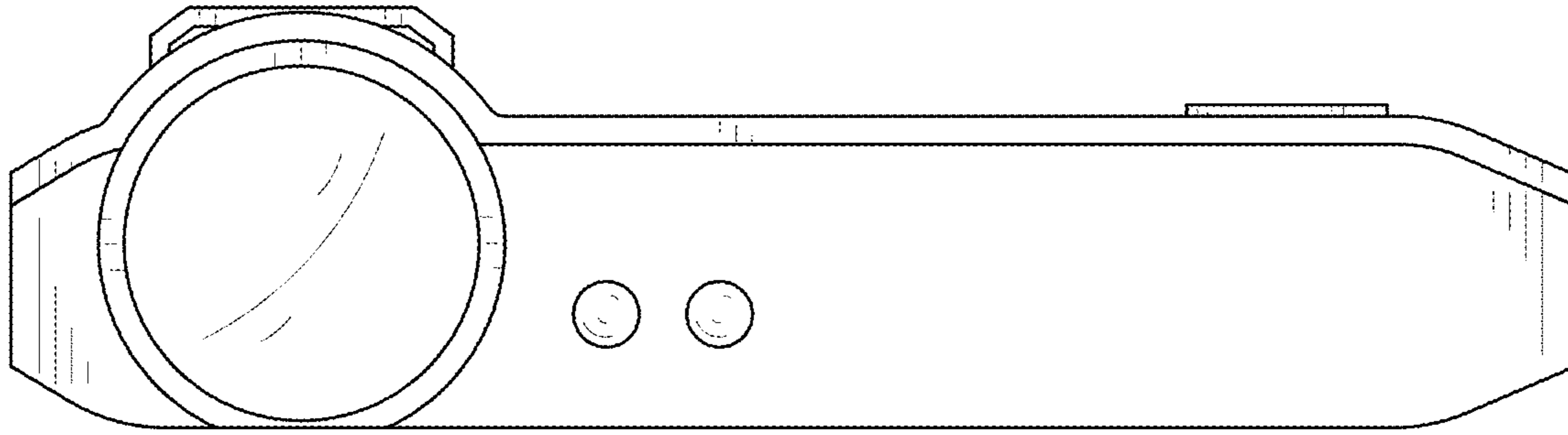


FIG. 8

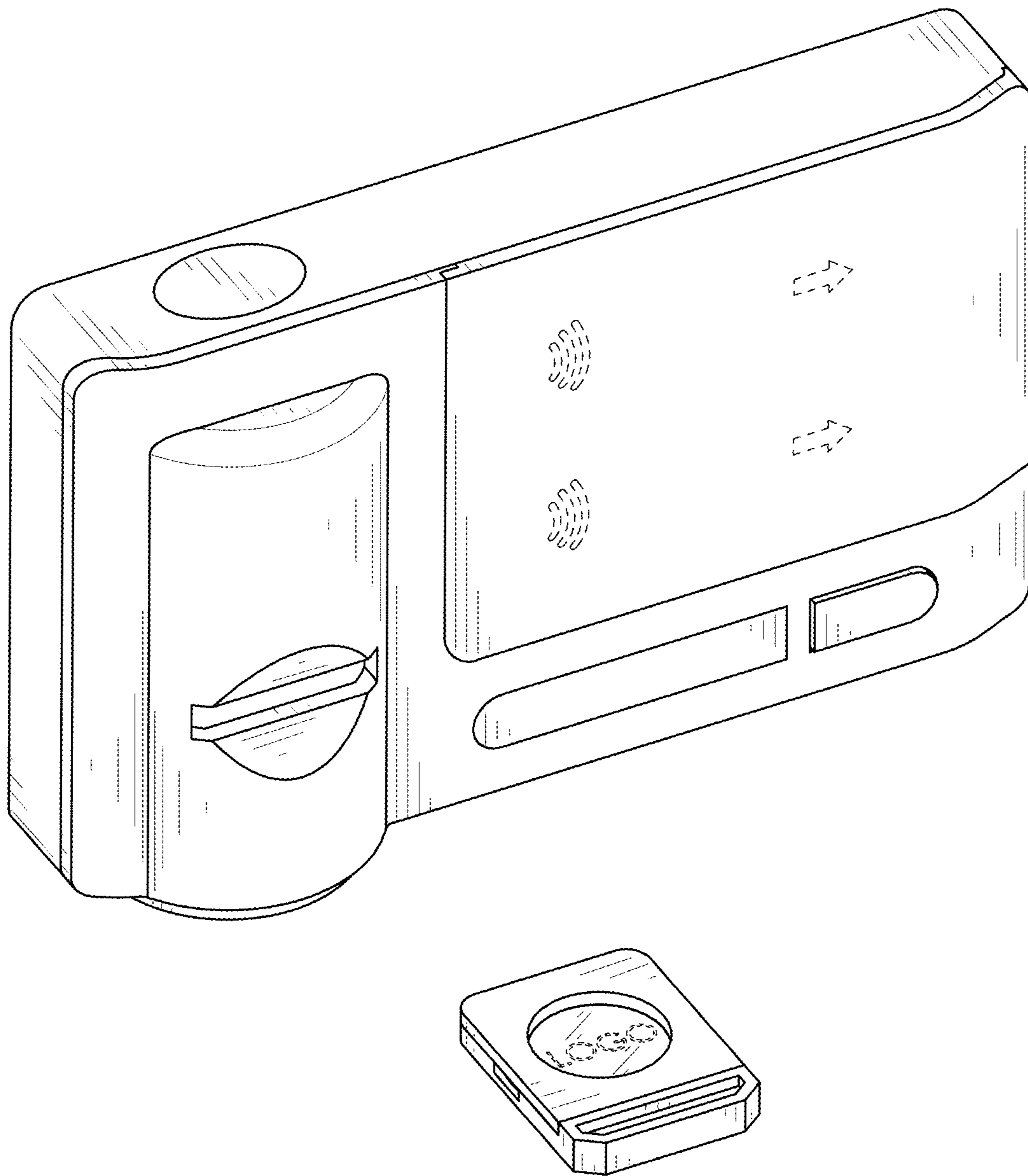


FIG. 9

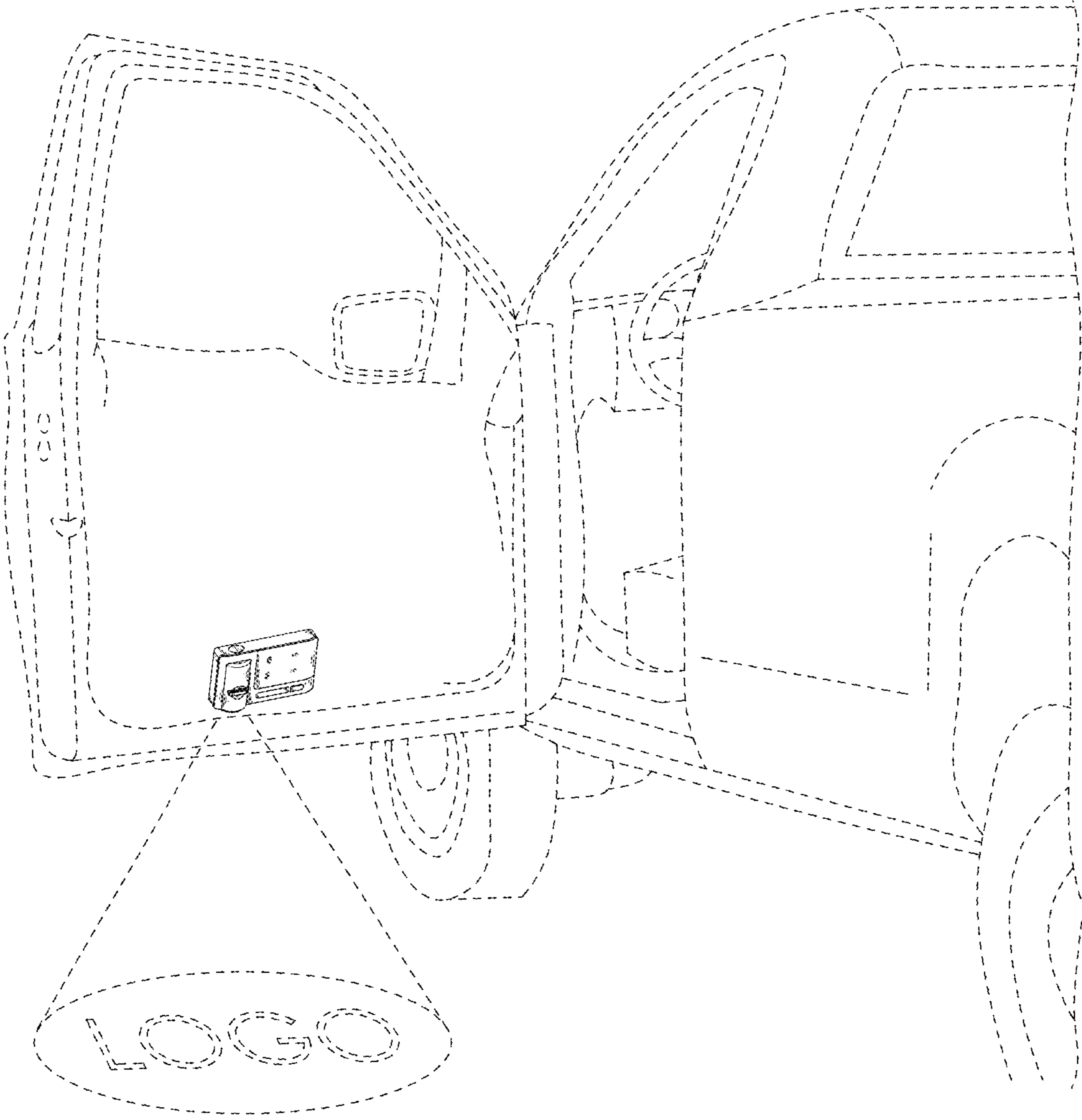


FIG. 10