



US00D918442S

(12) **United States Design Patent**
Wu

(10) **Patent No.:** **US D918,442 S**

(45) **Date of Patent:** **** May 4, 2021**

(54) **VEHICLE LIGHT**

D586,010 S * 2/2009 Saracoglu D26/28
D592,332 S * 5/2009 Hsu D26/28
D592,336 S * 5/2009 Hsu D26/28

(71) Applicant: **COPLUS INC.**, Tainan (TW)

* cited by examiner

(72) Inventor: **Po-Hua Wu**, Tainan (TW)

Primary Examiner — Marcus A Jackson

(73) Assignee: **Coplus Inc.**, Tainan (TW)

(74) *Attorney, Agent, or Firm* — Lewis Roca Rothgerber
Christie LLP

(**) Term: **15 Years**

(21) Appl. No.: **29/709,524**

(22) Filed: **Oct. 15, 2019**

(57) **CLAIM**

(30) **Foreign Application Priority Data**

Aug. 30, 2019 (TW) 108305266

The ornamental design for vehicle light, as shown and described.

(51) **LOC (13) Cl.** **26-06**

(52) **U.S. Cl.**
USPC **D26/28**

DESCRIPTION

(58) **Field of Classification Search**
USPC D26/28–36, 139
CPC F21S 48/00; F21S 48/10; F21S 48/115;
F21S 48/225; F21S 48/1233; F21S
48/1266; F21S 48/1388; F21S 48/2268;
F21V 5/00; B60Q 9/13; B60Q 9/135;
B60Q 9/1375; F21K 9/00; F21K 13/00
See application file for complete search history.

FIG. 1 is a front perspective view of a vehicle light;
FIG. 2 is a front view thereof;
FIG. 3 is a back view thereof;
FIG. 4 is a left side view thereof;
FIG. 5 is a right side view thereof;
FIG. 6 is a top view thereof; and,
FIG. 7 is a bottom view thereof.

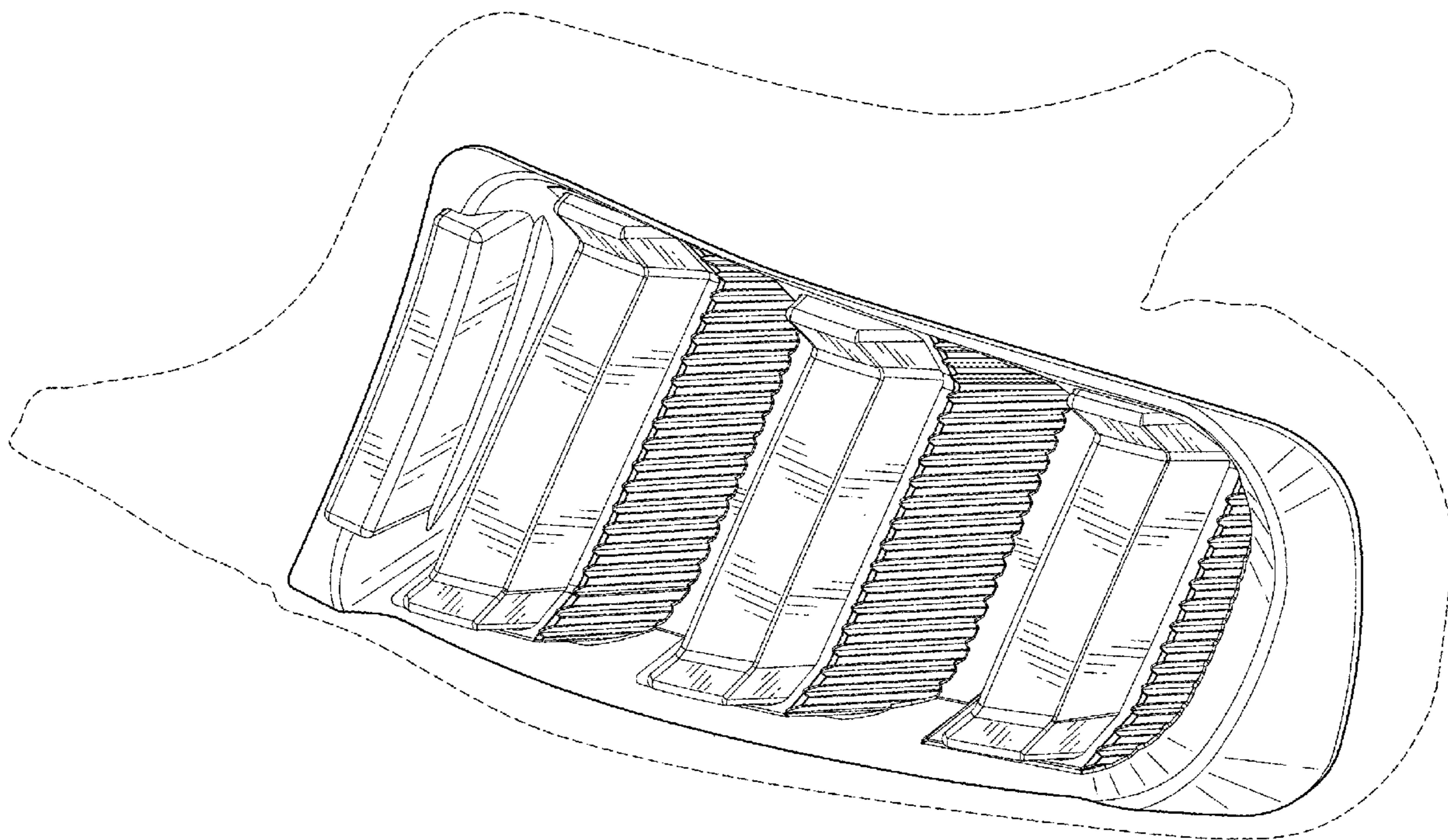
(56) **References Cited**

U.S. PATENT DOCUMENTS

The broken lines in the drawings are for illustrative purpose only and form no part of the claimed design.

D474,290 S * 5/2003 Sawai D26/28
D549,858 S * 8/2007 Pfeiffer D26/28
D552,772 S * 10/2007 Davidson D26/28

1 Claim, 6 Drawing Sheets



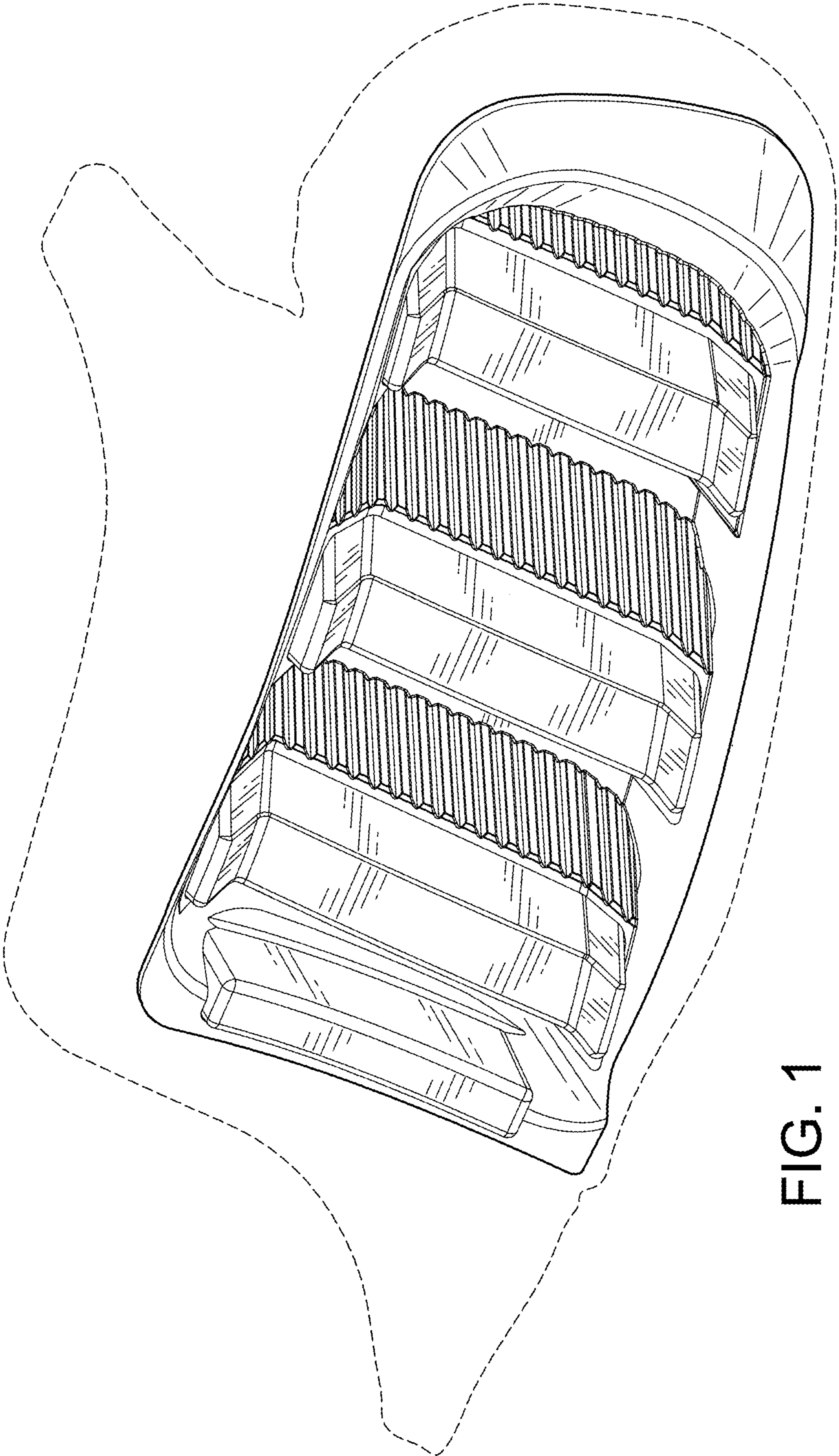


FIG. 1

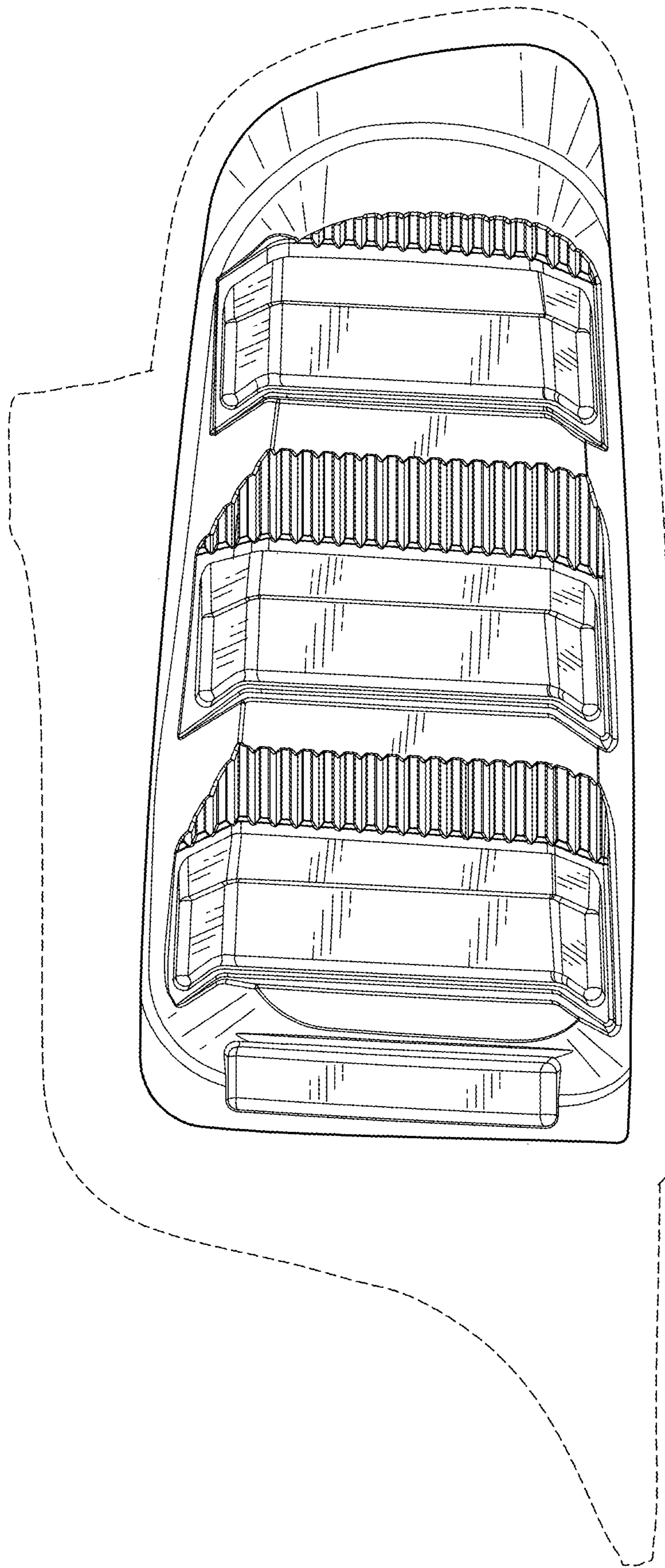


FIG. 2

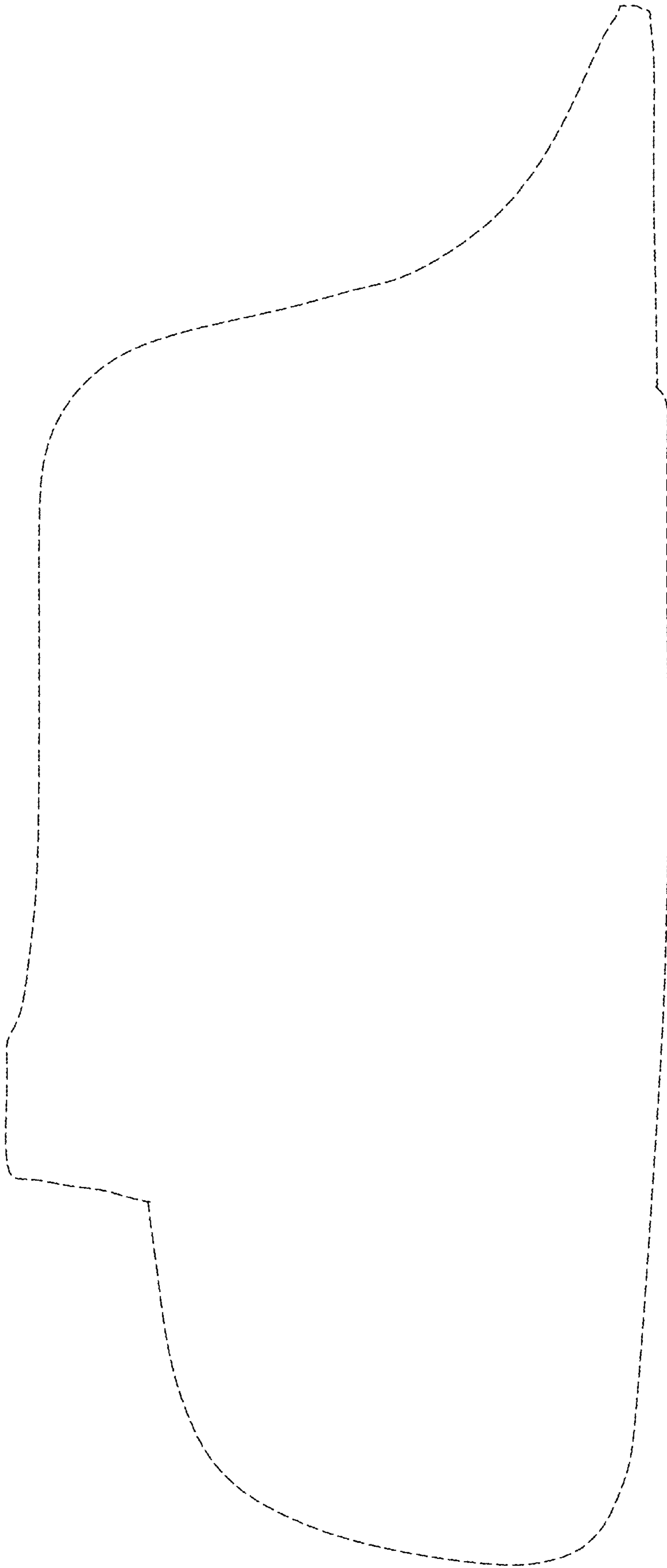


FIG. 3

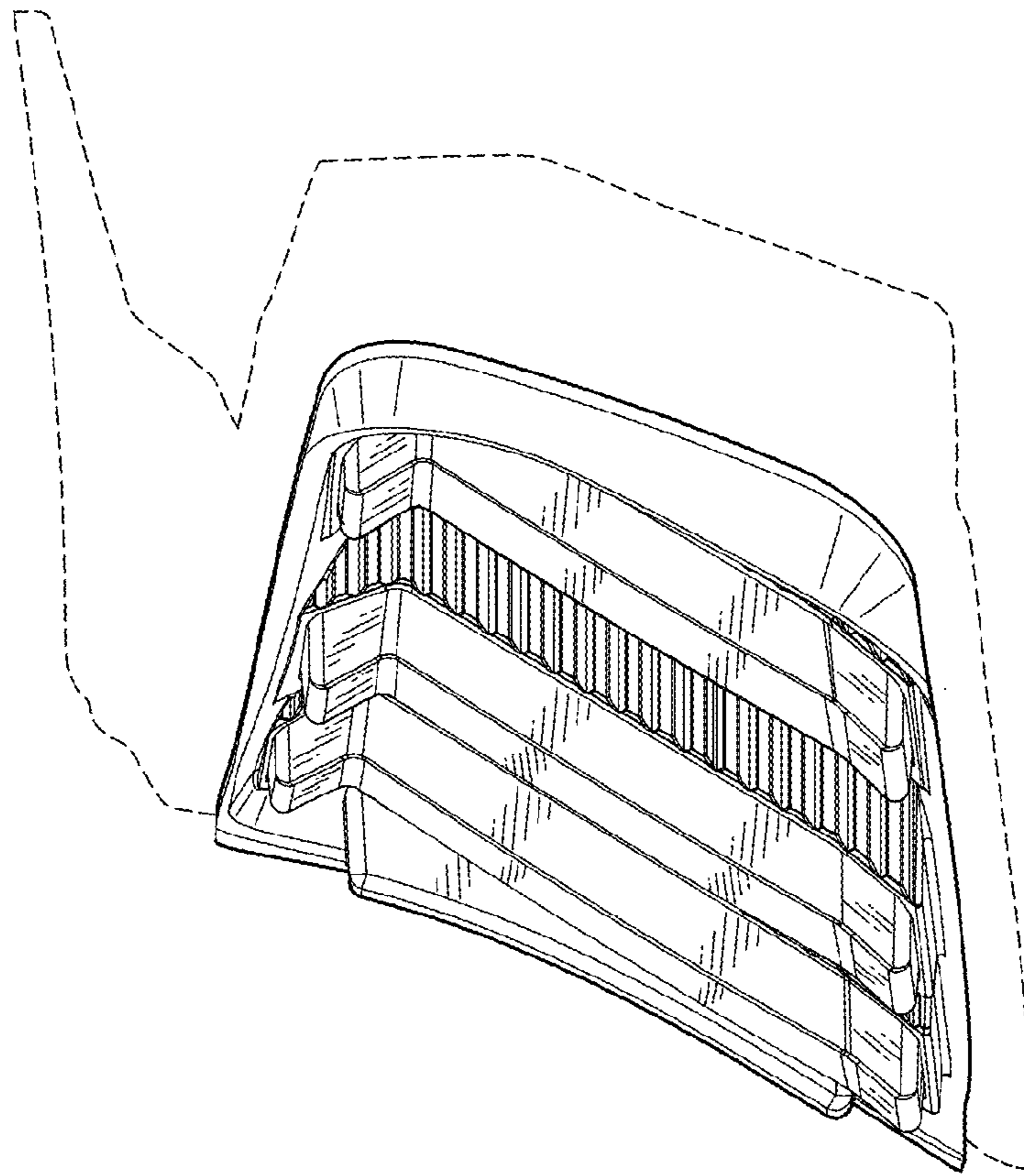


FIG. 5

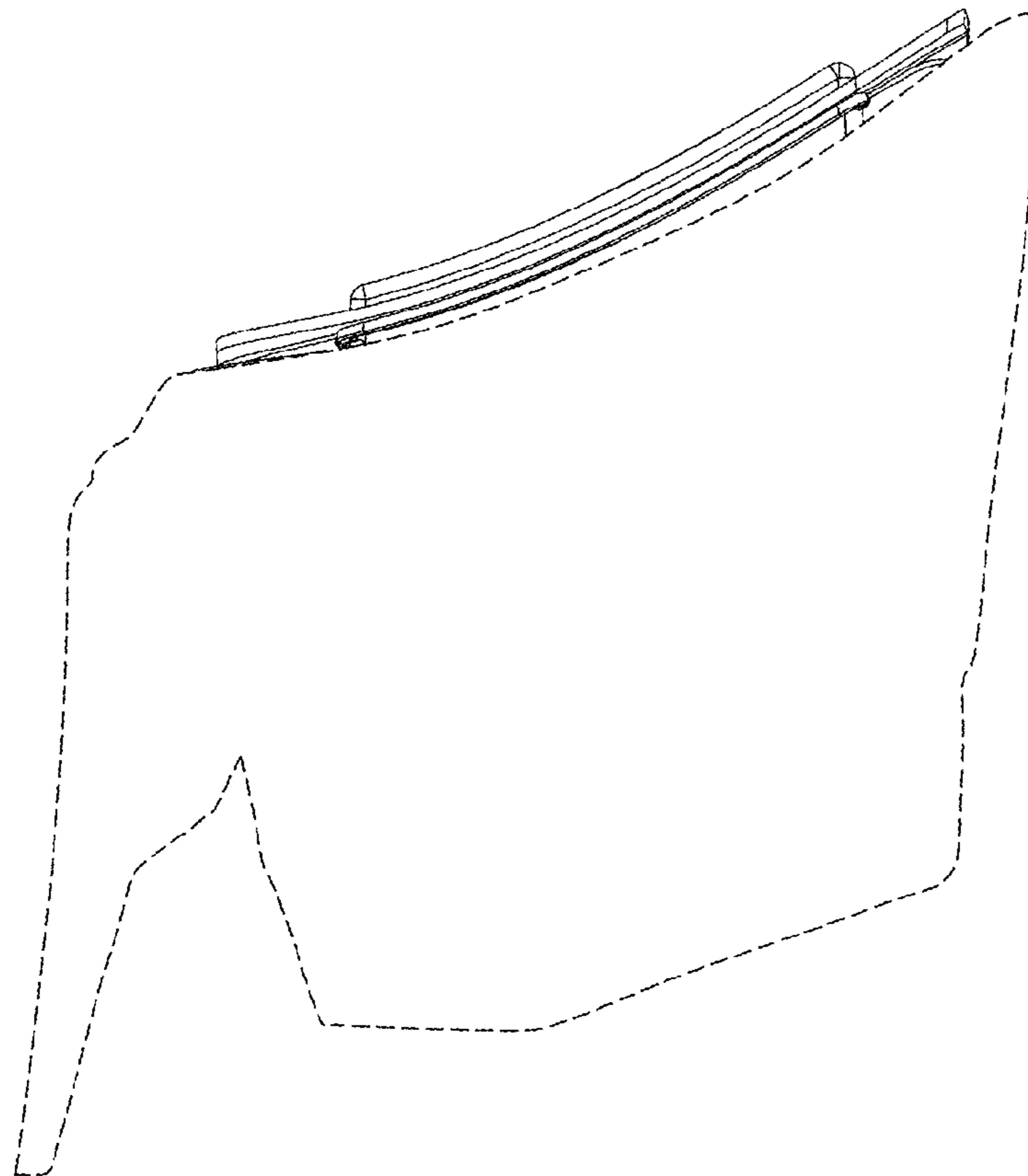


FIG. 4

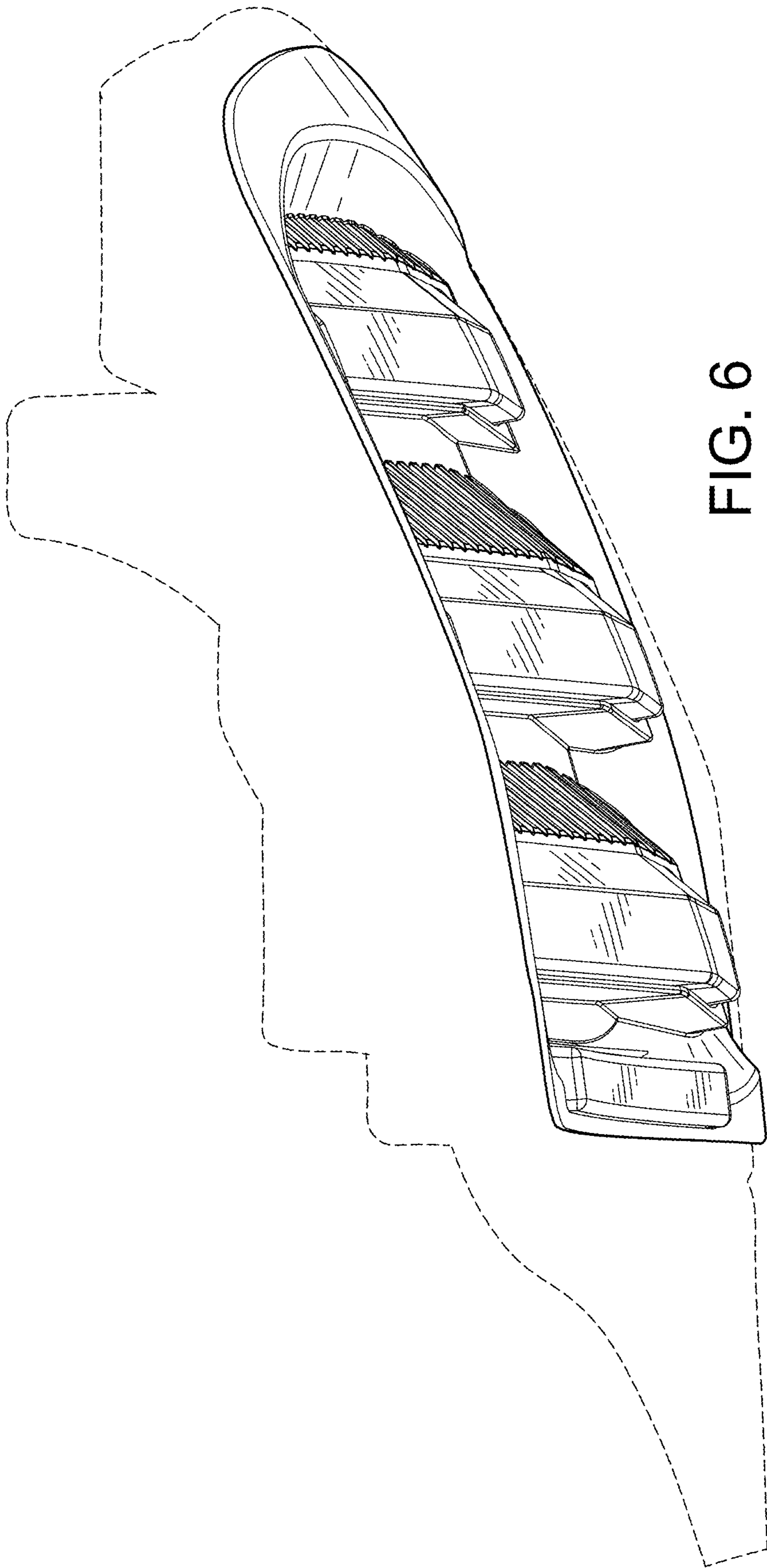


FIG. 6



FIG. 7