



US00D918440S

(12) **United States Design Patent** (10) **Patent No.:** **US D918,440 S**
Li (45) **Date of Patent:** **** May 4, 2021**

(54) **STRING LIGHT**

(71) Applicant: **Jun Li**, Guizhou (CN)

(72) Inventor: **Jun Li**, Guizhou (CN)

(73) Assignee: **Yuyao Yunjin Electrical Appliance Co., Ltd.**, Zhejiang (CN)

(**) Term: **15 Years**

(21) Appl. No.: **29/694,880**

(22) Filed: **Jun. 13, 2019**

(51) **LOC (13) Cl.** **26-03**

(52) **U.S. Cl.**
USPC **D26/25**

(58) **Field of Classification Search**
USPC D26/25, 126, 138, 72, 73, 74, 78, 80, 85,
D26/86

CPC F21S 2/00; F21S 4/00; F21S 4/003; F21S
4/005; F21S 4/006; F21S 4/007; F21S
4/008; F21S 6/00; F21S 8/00; F21S
8/024; F21S 8/026; F21S 8/031; F21S
8/033; F21S 8/035-037; F21S 8/04; F21S
8/043; F21S 8/063

See application file for complete search history.

(56) **References Cited**

U.S. PATENT DOCUMENTS

D340,298 S	*	10/1993	Murata	D26/25
D340,299 S	*	10/1993	Murata	D26/25
D352,562 S	*	11/1994	Horton	D26/25
D363,560 S	*	10/1995	Murata	D26/25
D816,874 S	*	5/2018	Lentz	D26/25

10,145,520 B1	*	12/2018	Tang	F21S 2/00
D860,013 S	*	9/2019	Ahn	D10/70
D867,627 S	*	11/2019	Pisupati	D26/25
D869,012 S	*	12/2019	Zhu	D26/25
D898,986 S	*	10/2020	Gold	D26/138
2010/0328953 A1	*	12/2010	Wu	F21V 23/06 362/249.14
2014/0126219 A1	*	5/2014	Fan	F21S 4/10 362/311.02
2014/0167627 A1	*	6/2014	Fuller	F21V 23/02 315/161
2018/0299084 A1	*	10/2018	Chien	F21V 14/08
2018/0340676 A1	*	11/2018	Tsai	F21V 3/00
2019/0012682 A1	*	1/2019	Shariff	G06Q 10/04
2020/0041118 A1	*	2/2020	Sawalski	A01N 25/18

* cited by examiner

Primary Examiner — Philip S Hyder

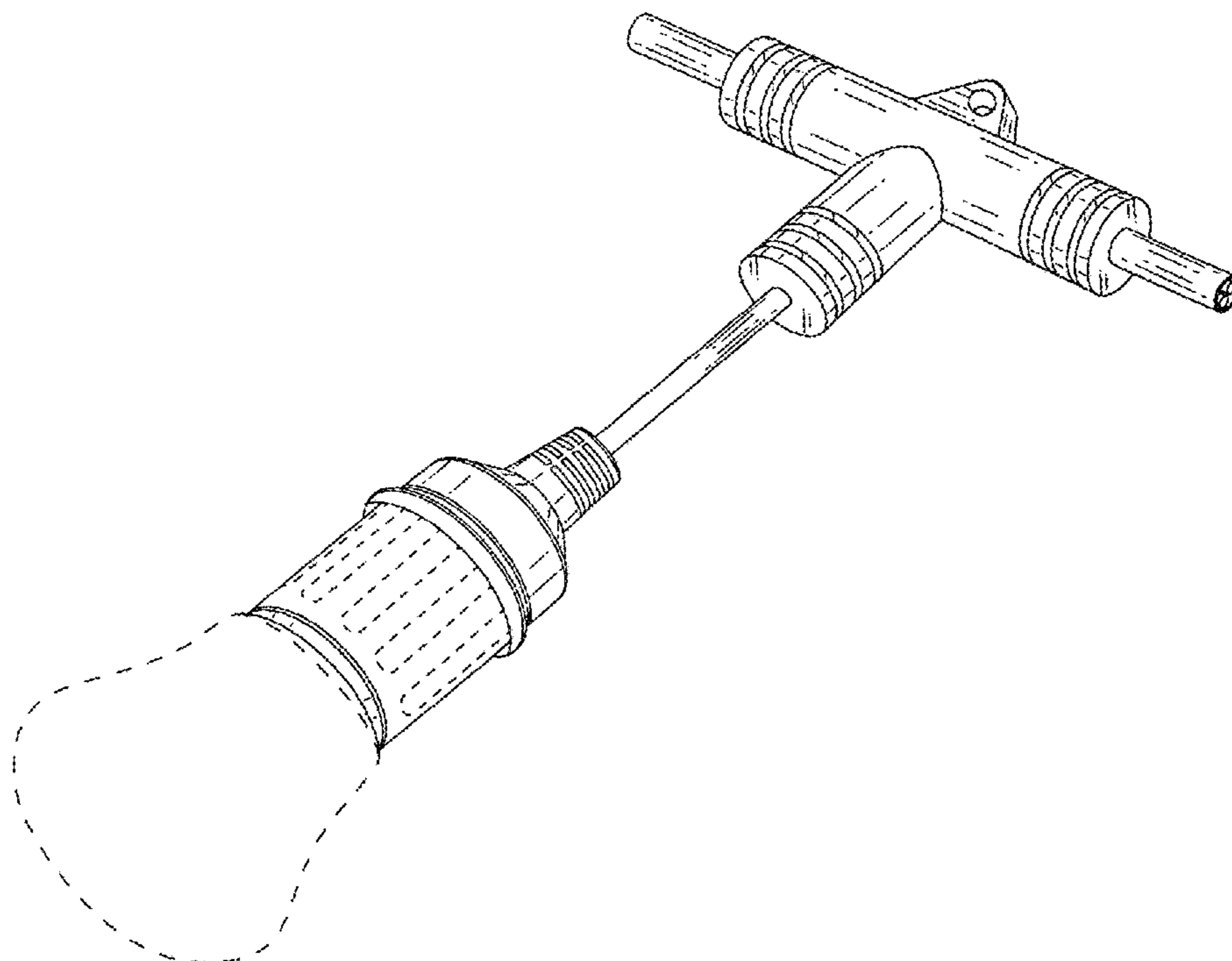
(57) **CLAIM**

The ornamental design for a string light, as shown and described.

DESCRIPTION

FIG. 1 is a perspective view of a string light showing my new design;
FIG. 2 is a front elevation view thereof;
FIG. 3 is a rear elevation view thereof;
FIG. 4 is a left side elevation view thereof;
FIG. 5 is a right side elevation view thereof;
FIG. 6 is a top plan view thereof; and,
FIG. 7 is a bottom plan view thereof.
The broken lines depict portions of the string light in which the design is embodied that are not considered part of the claimed design.

1 Claim, 7 Drawing Sheets



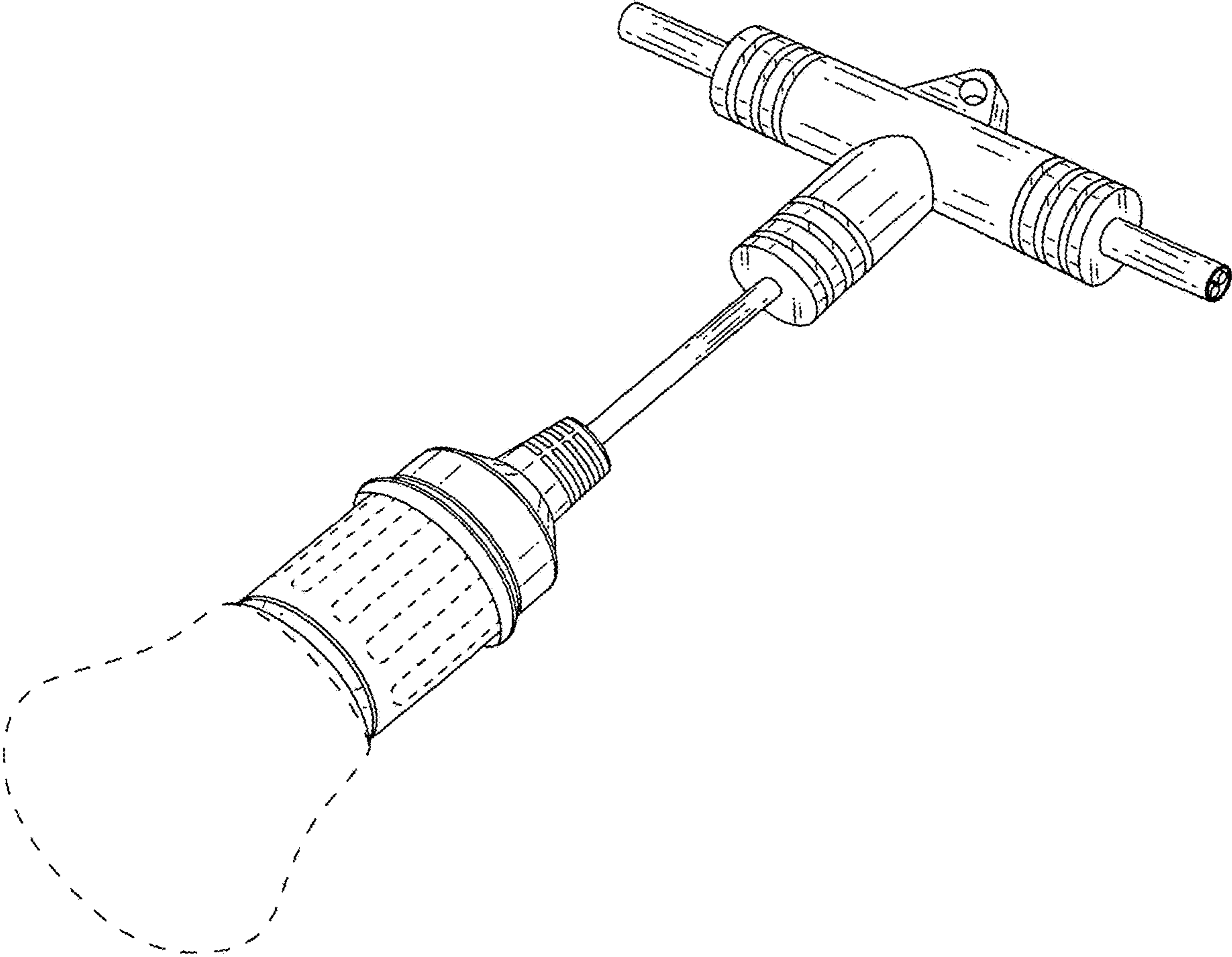


FIG.1

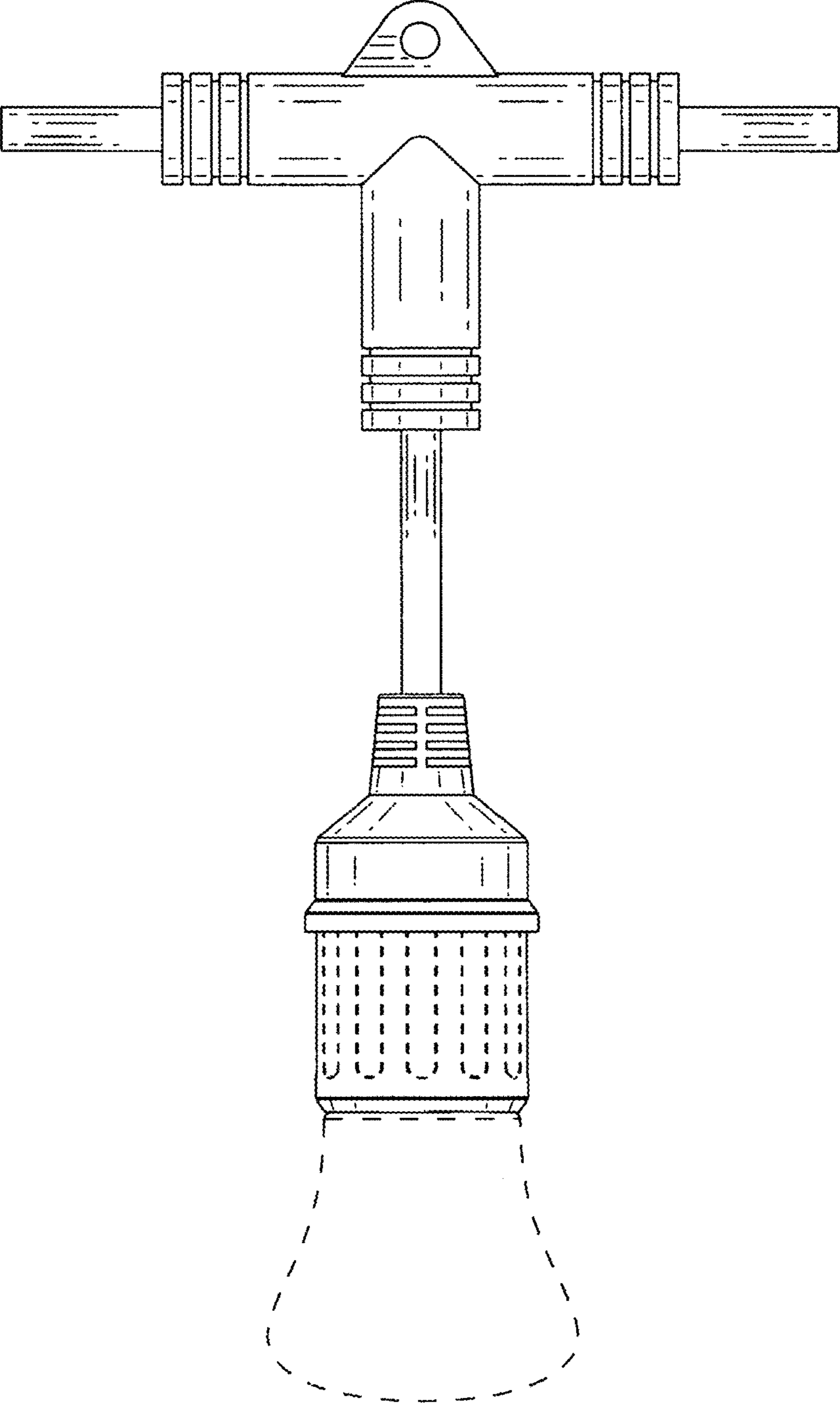


FIG.2

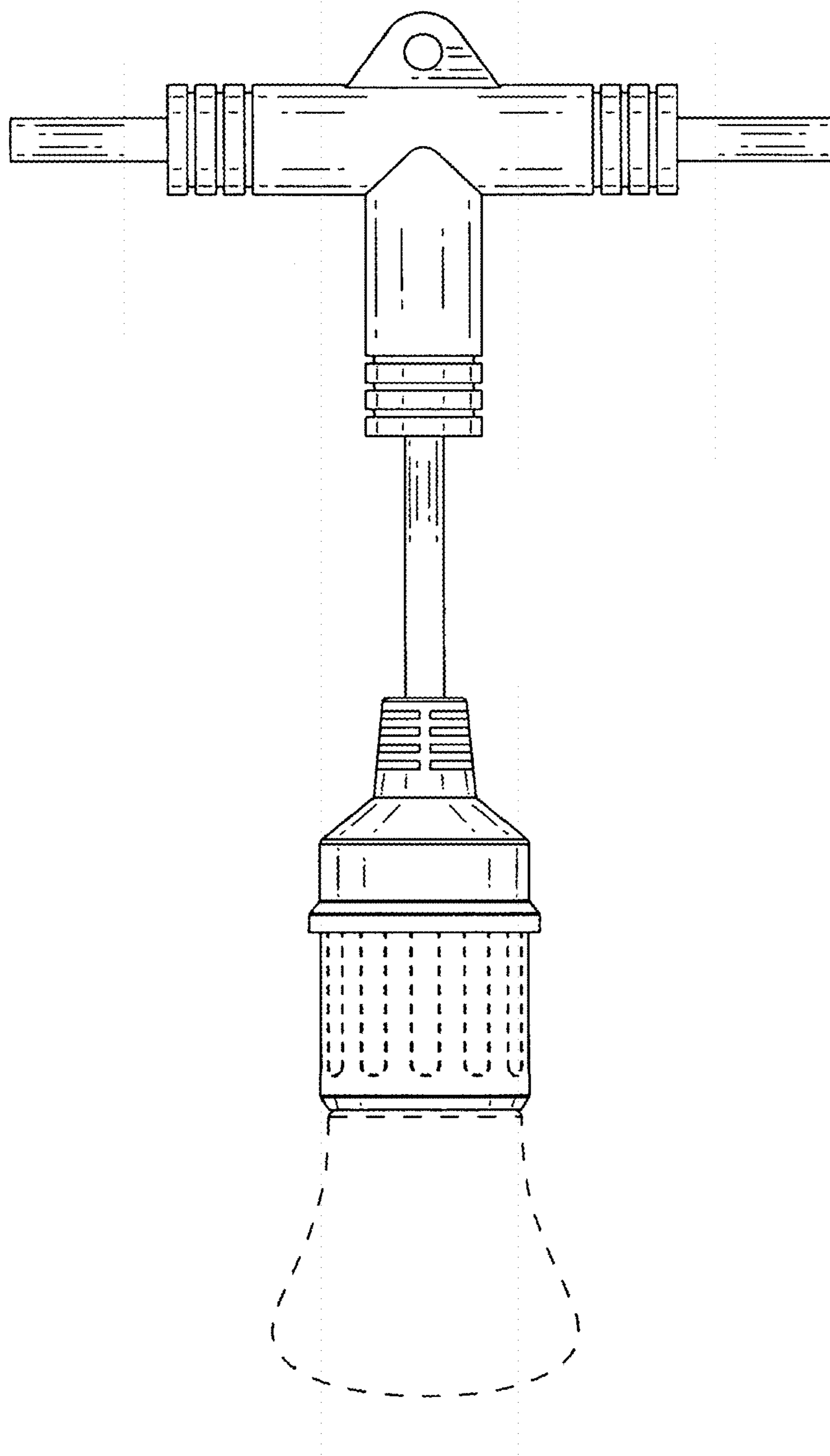


FIG.3

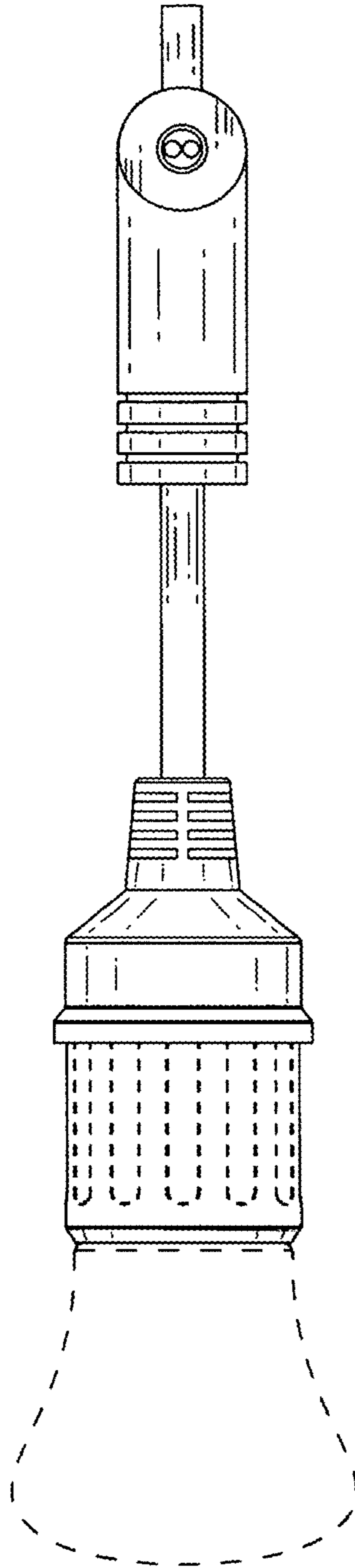


FIG.4

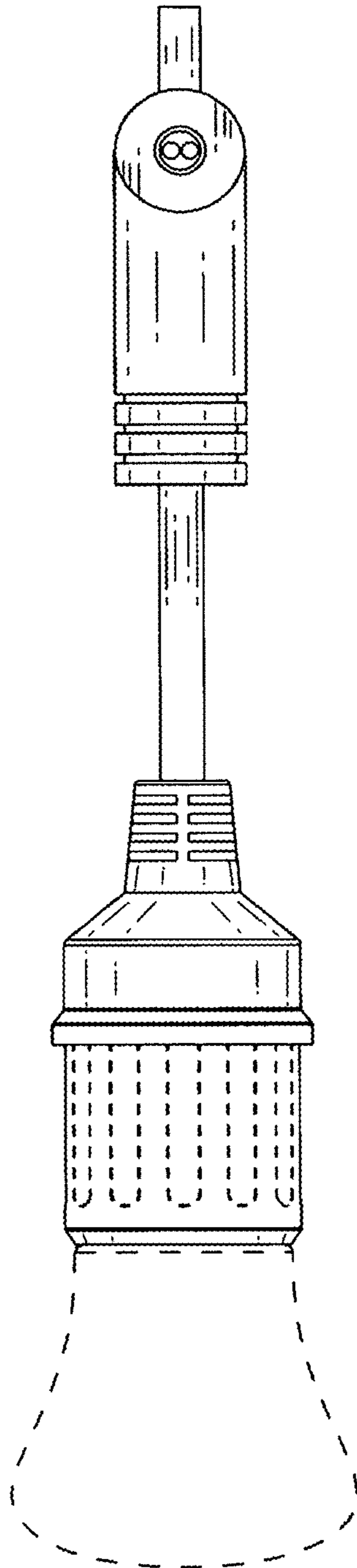


FIG.5

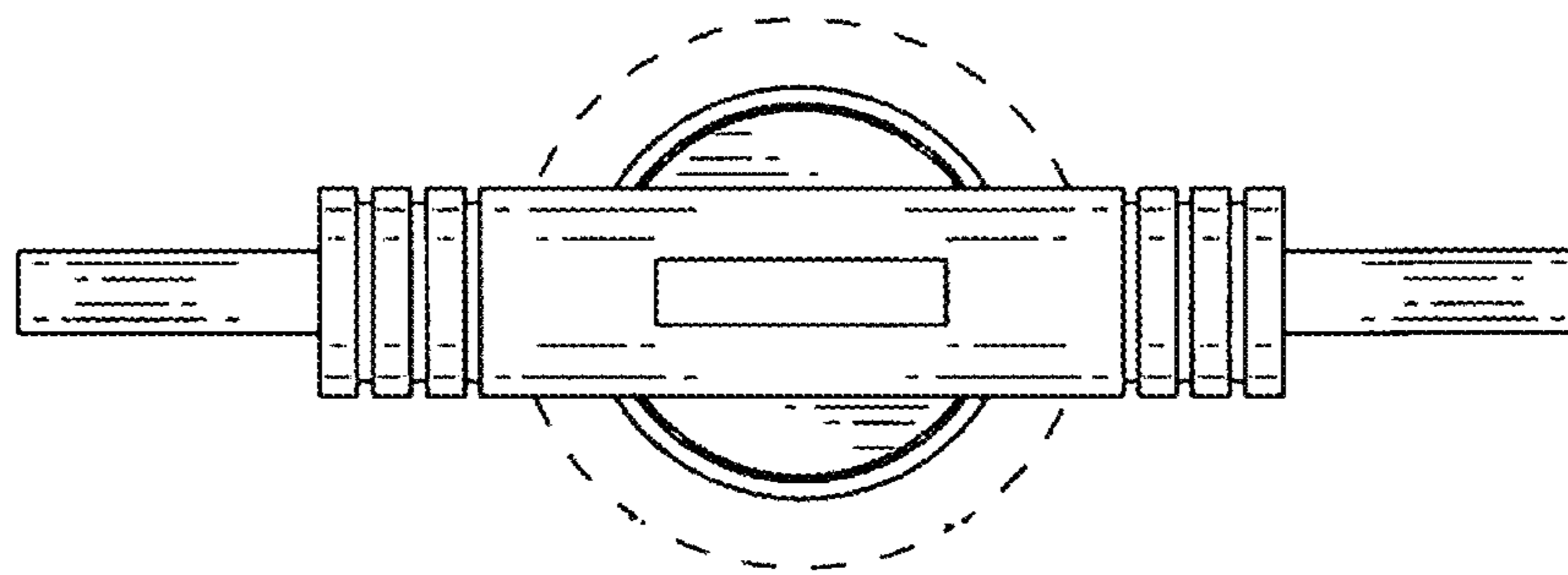


FIG.6

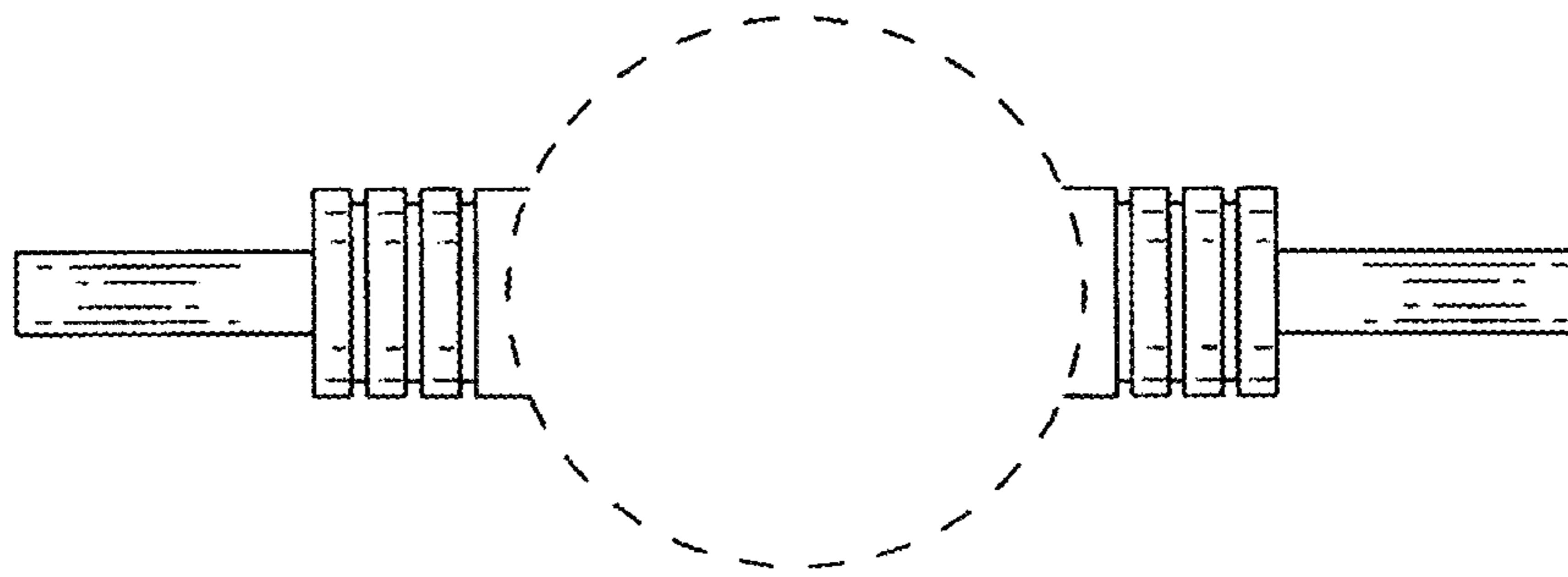


FIG. 7