



US00D918439S

(12) **United States Design Patent**  
**Tirosh**

(10) **Patent No.:** **US D918,439 S**

(45) **Date of Patent:** **\*\* May 4, 2021**

(54) **FLEXIBLE STRIP LIGHT**

(71) Applicant: **Orili Ventures LTD**, Givat Brener (IL)

(72) Inventor: **Udi Josef Tirosh**, Givat Brener (IL)

(73) Assignee: **Orili Ventures LTD**, Givat Brener (IL)

(\*\*) Term: **15 Years**

(21) Appl. No.: **29/683,618**

(22) Filed: **Mar. 14, 2019**

(51) **LOC (13) Cl.** ..... **26-05**

(52) **U.S. Cl.**  
USPC ..... **D26/25**

(58) **Field of Classification Search**  
USPC ..... D26/27, 24, 72, 74, 75, 76, 78, 80, 81,  
D26/83

CPC .... G02B 6/0005; G02B 6/0008; G02B 6/001;  
G02B 6/0011; G02B 6/0016; G02B  
6/0018; F21V 2200/10; F21V 2200/15;  
F21V 2200/20; F21V 2200/40; F21S  
4/00; F21S 4/20; F21S 4/22; F21S 4/24;  
F21S 4/28

See application file for complete search history.

(56) **References Cited**

U.S. PATENT DOCUMENTS

D411,325 S *	6/1999	Roorda	.....	D26/87
D480,494 S *	10/2003	Targetti	.....	D26/72
D482,806 S *	11/2003	Lofton	.....	D26/25
D573,730 S *	7/2008	Uemoto	.....	D26/1
D625,877 S *	10/2010	Hsu	.....	D26/80
D655,438 S *	3/2012	Sabernig	.....	D26/83
D655,439 S *	3/2012	Sabernig	.....	D26/83
D655,857 S *	3/2012	Sabernig	.....	D26/113
D745,196 S *	12/2015	Walterscheid	.....	D26/24
D756,547 S *	5/2016	Zhang	.....	D26/24
D814,669 S *	4/2018	Scoda	.....	D26/25
D849,277 S *	5/2019	John	.....	D26/1
2017/0159898 A1 *	6/2017	Urry	.....	F21V 29/70

\* cited by examiner

Primary Examiner — Angela J Lee

(74) *Attorney, Agent, or Firm* — Loginov & Associates, PLLC; William A. Loginov

(57) **CLAIM**

The ornamental design for a flexible strip light, as shown and described.

**DESCRIPTION**

FIG. 1 is a perspective view of a flexible strip light, according to a first embodiment;

FIG. 2 is a front view of the flexible strip light, according to the first embodiment, wherein the strip light is shown in a flattened, unrolled state;

FIG. 3 is a rear view of the flexible strip light, according to the first embodiment;

FIG. 4 is a right side view of the flexible strip light, according to the first embodiment;

FIG. 5 is a left side view of the flexible strip light, according to the first embodiment;

FIG. 6 is a top view of the flexible strip light, according to the first embodiment;

FIG. 7 is a bottom view of the flexible strip light, according to the first embodiment;

FIG. 8 is a perspective view of a flexible strip light, according to a second embodiment, wherein the strip light is shown in a rolled state;

FIG. 9 is a front view of the flexible strip light, according to the second embodiment;

FIG. 10 is a rear view of the flexible strip light, according to the second embodiment;

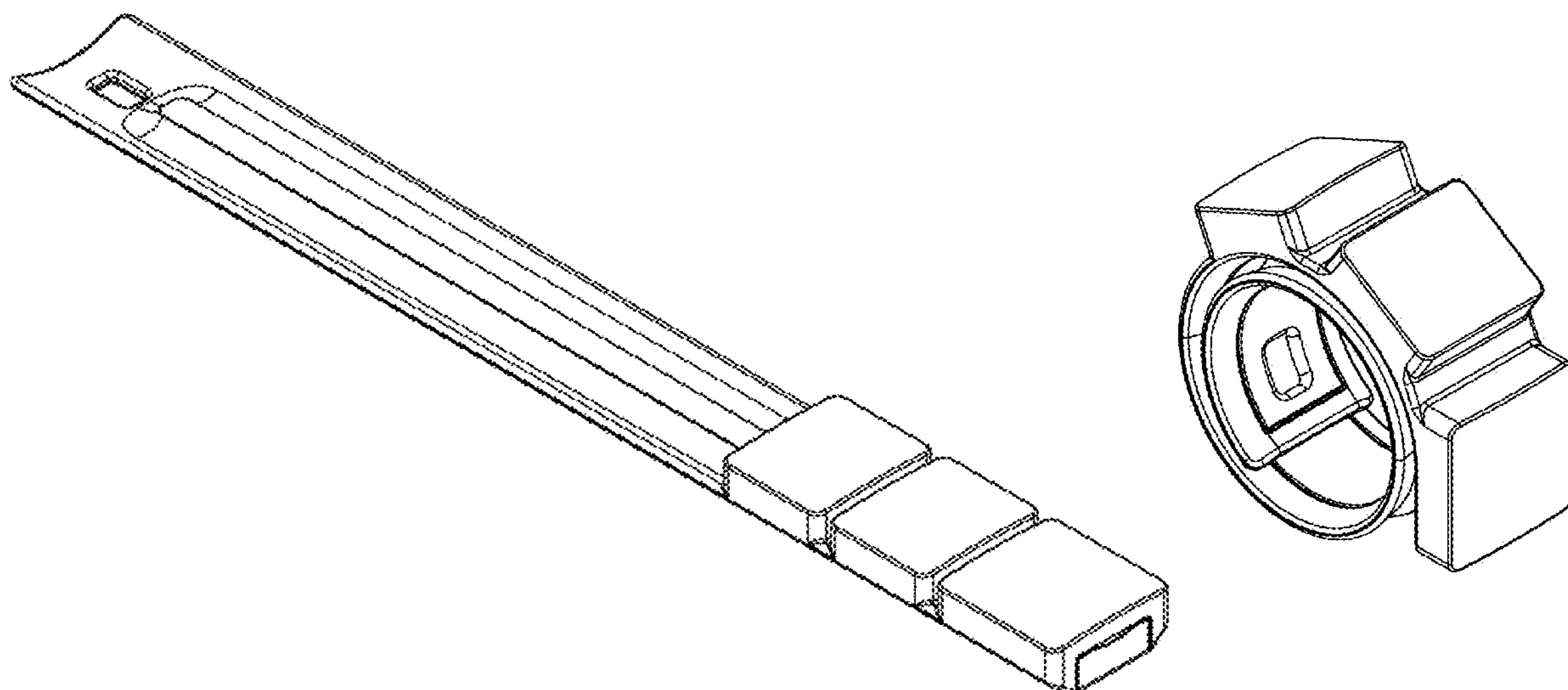
FIG. 11 is a right side view of the flexible strip light, according to the second embodiment;

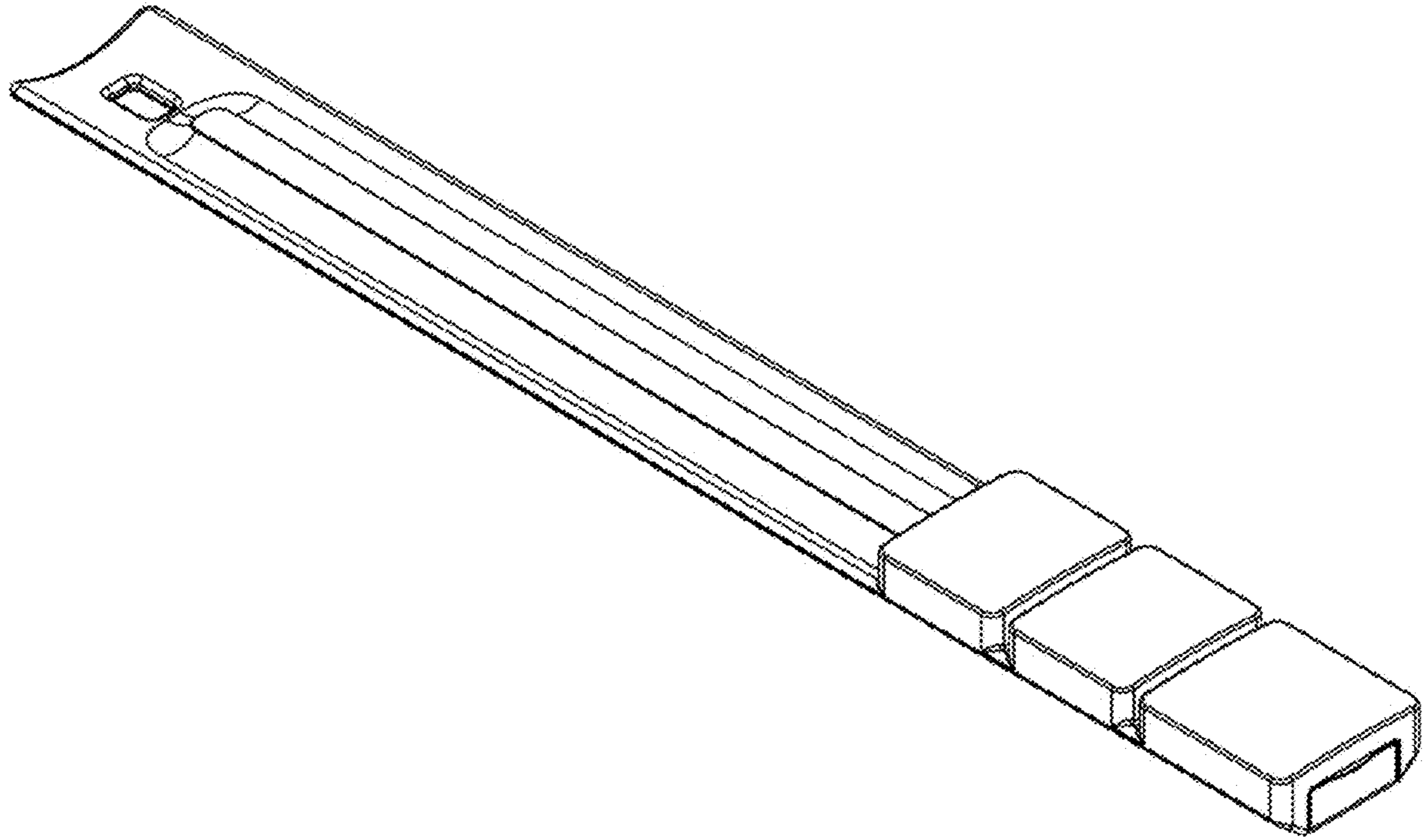
FIG. 12 is a left side view of the flexible strip light, according to the second embodiment;

FIG. 13 is a top view of the flexible strip light, according to the second embodiment; and,

FIG. 14 is a bottom view of the flexible strip light, according to the second embodiment.

**1 Claim, 5 Drawing Sheets**

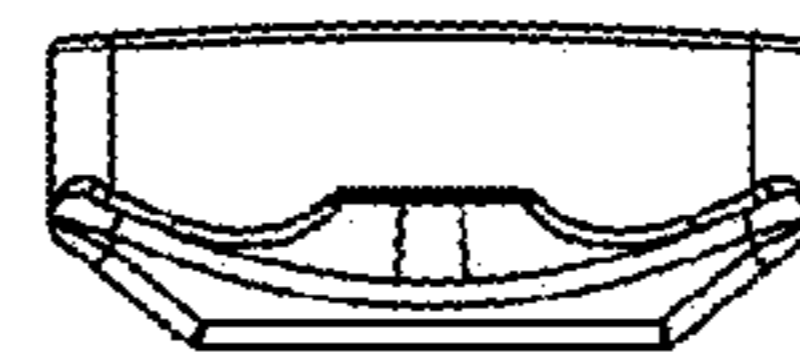




**Fig. 1**



**Fig. 2**



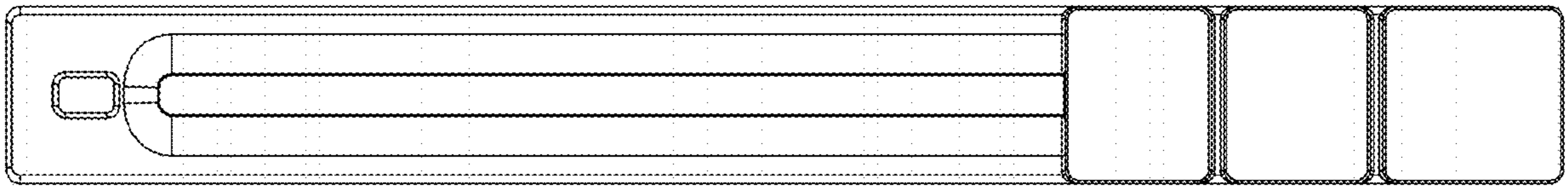
**Fig. 3**



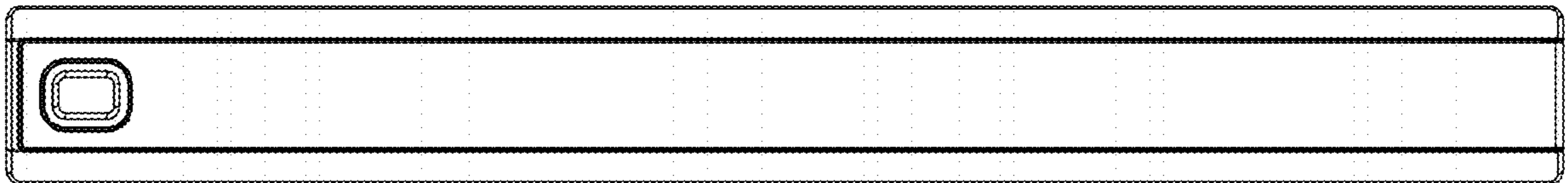
**Fig. 4**



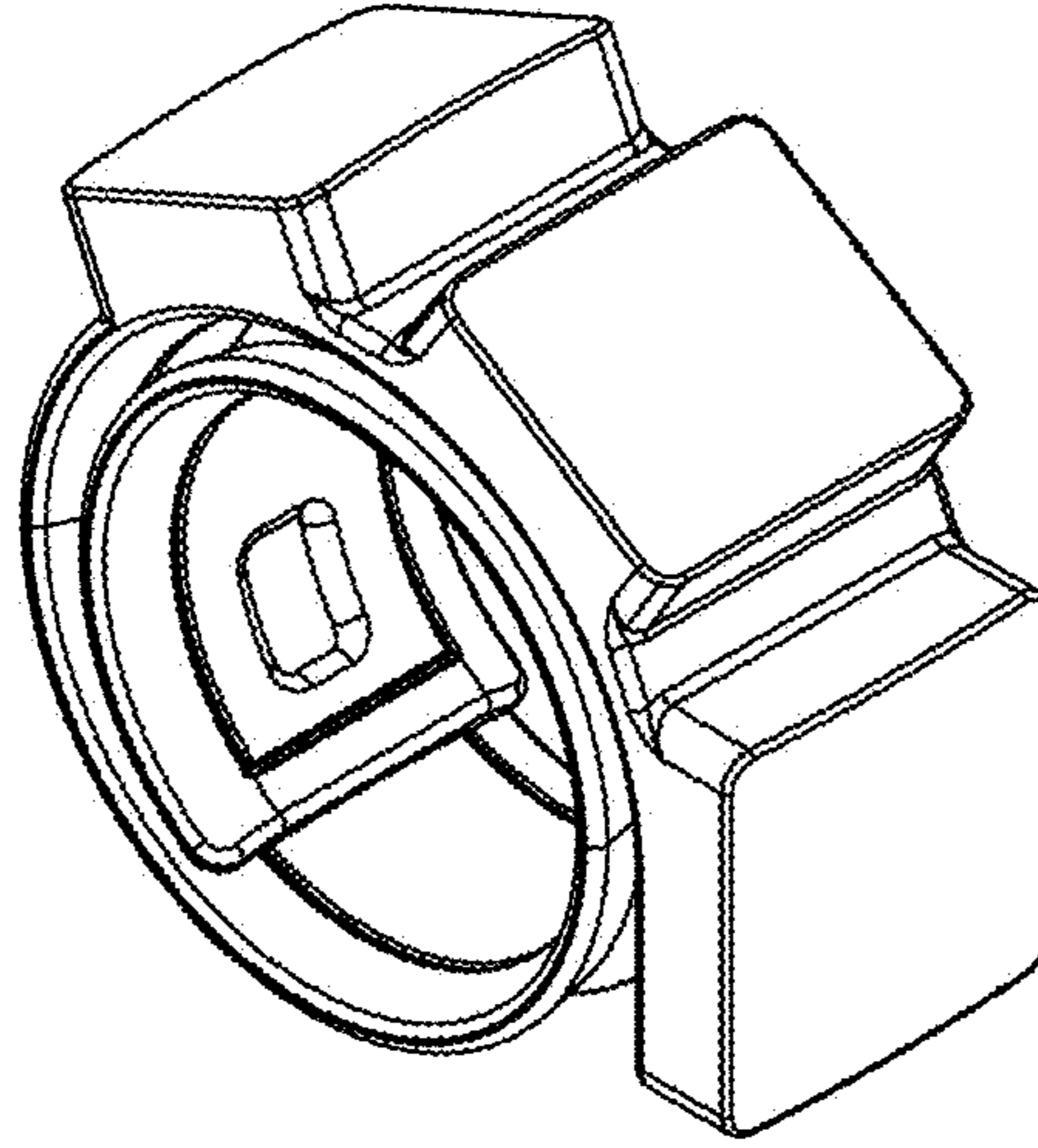
**Fig. 5**



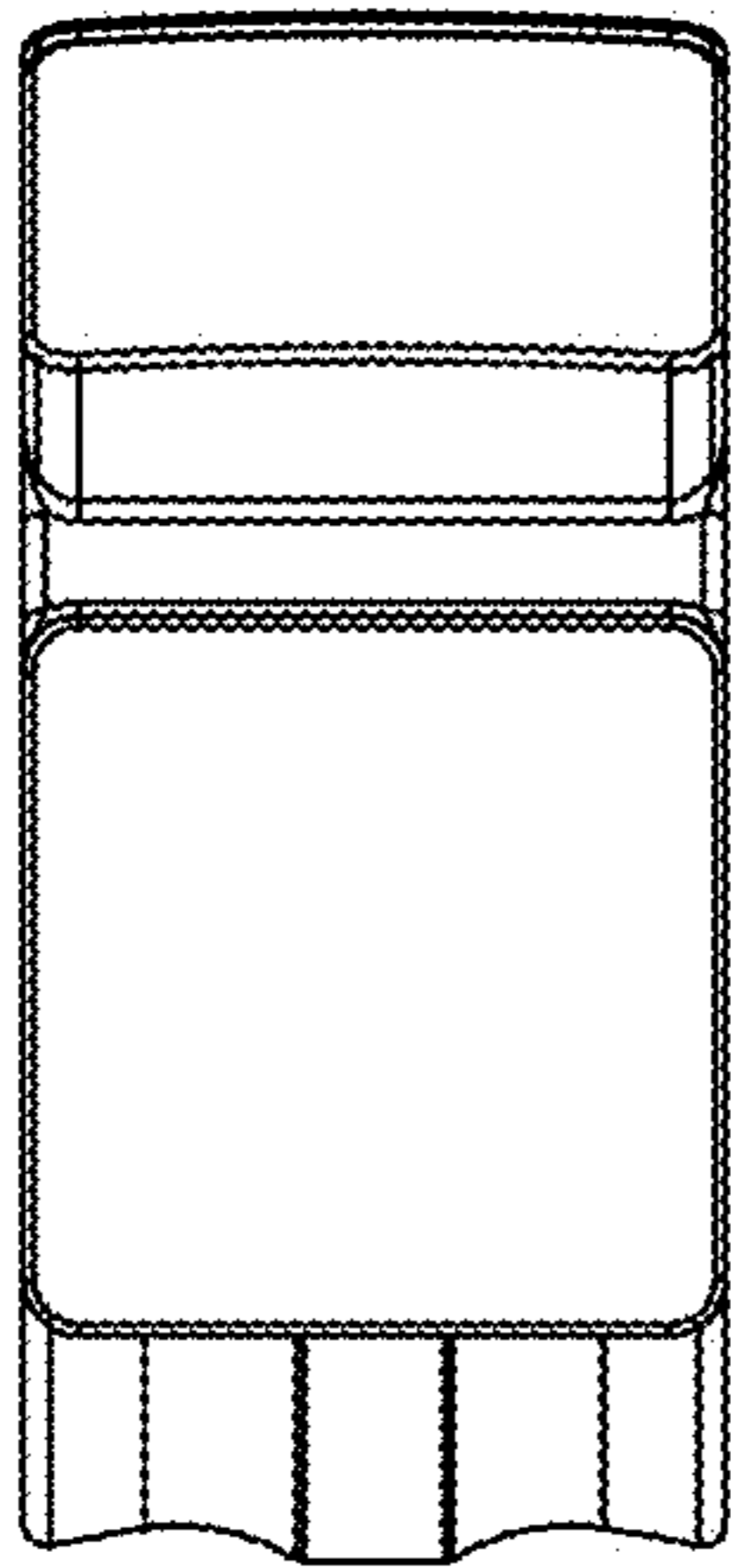
**Fig. 6**



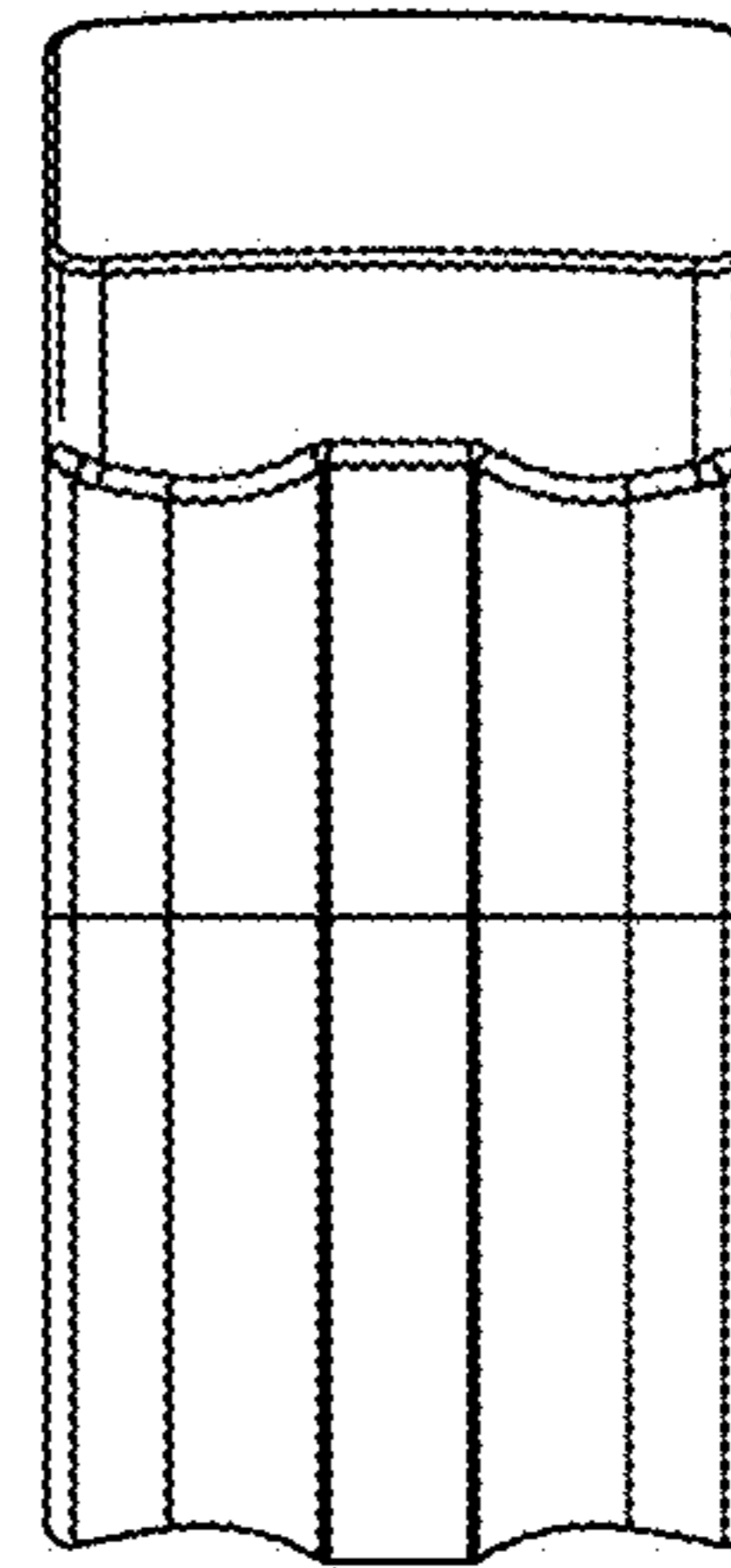
**Fig. 7**



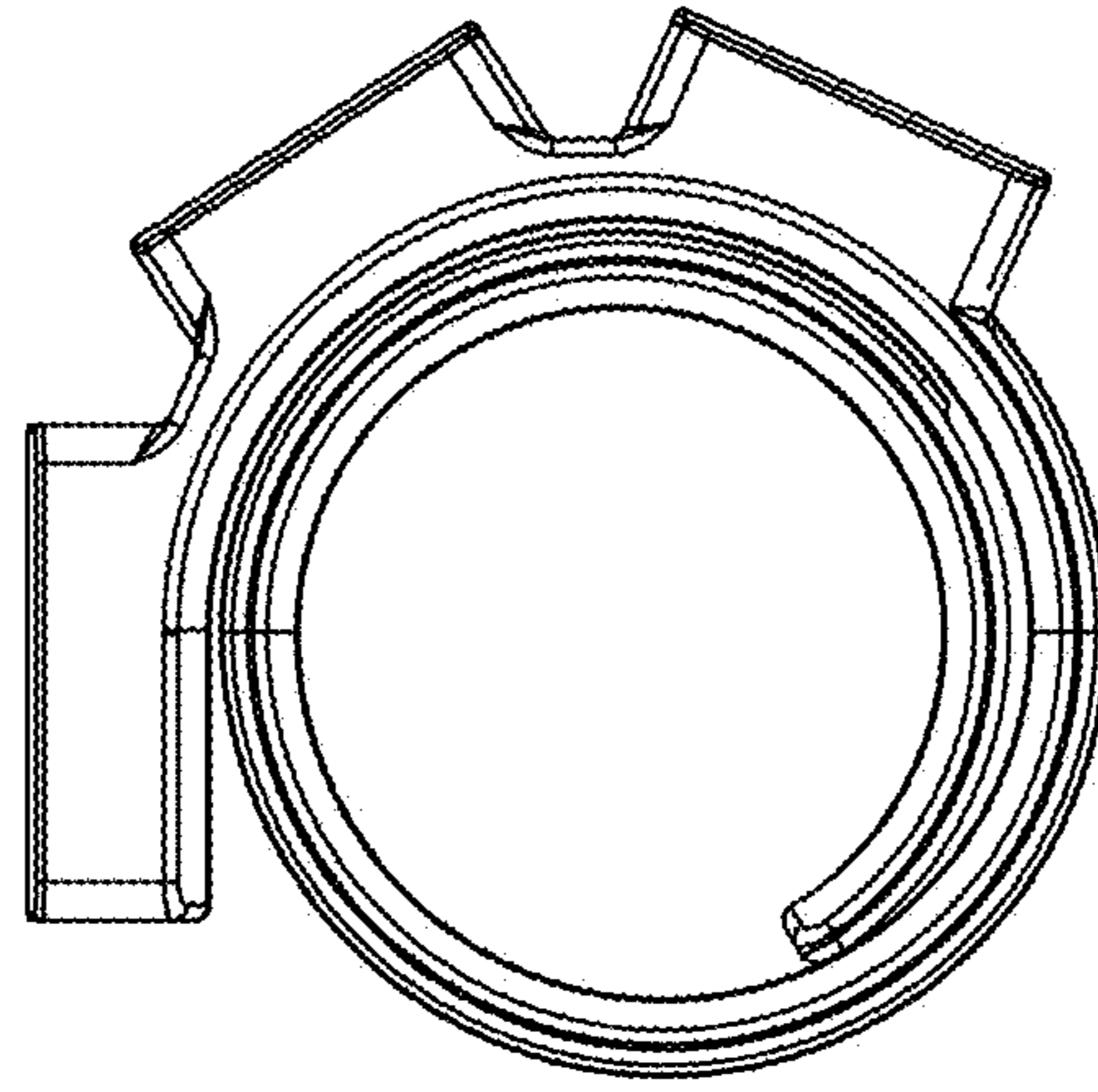
**Fig. 8**



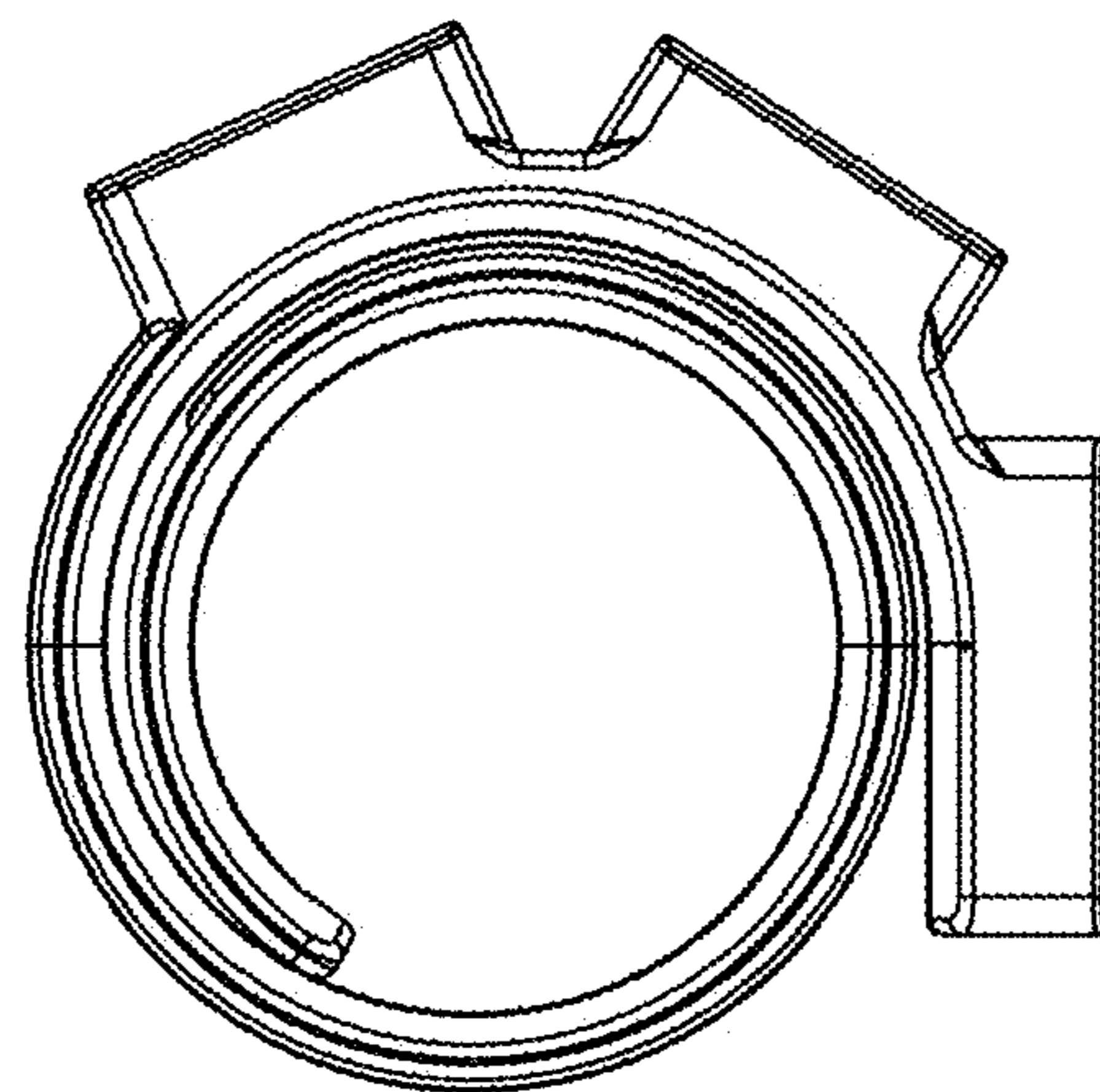
**Fig. 9**



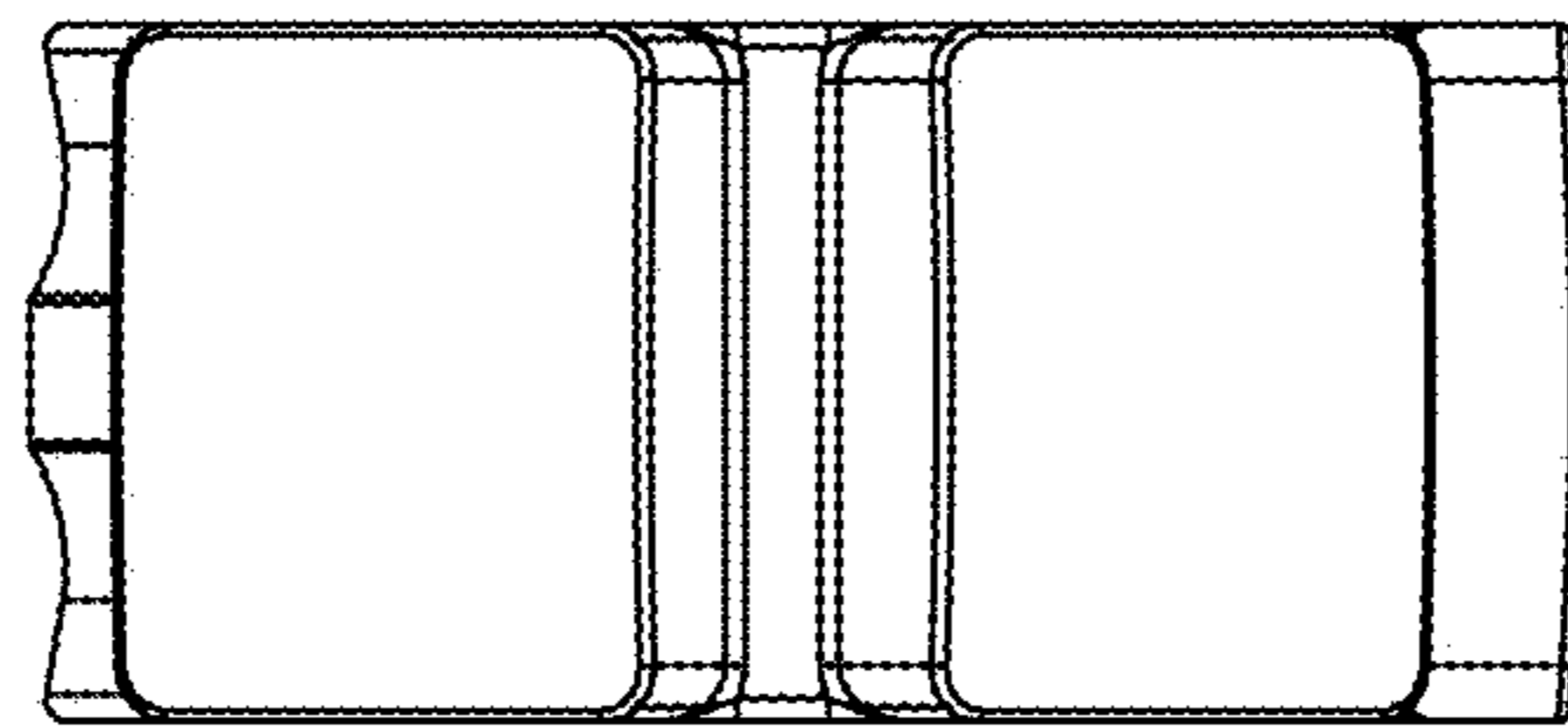
**Fig. 10**



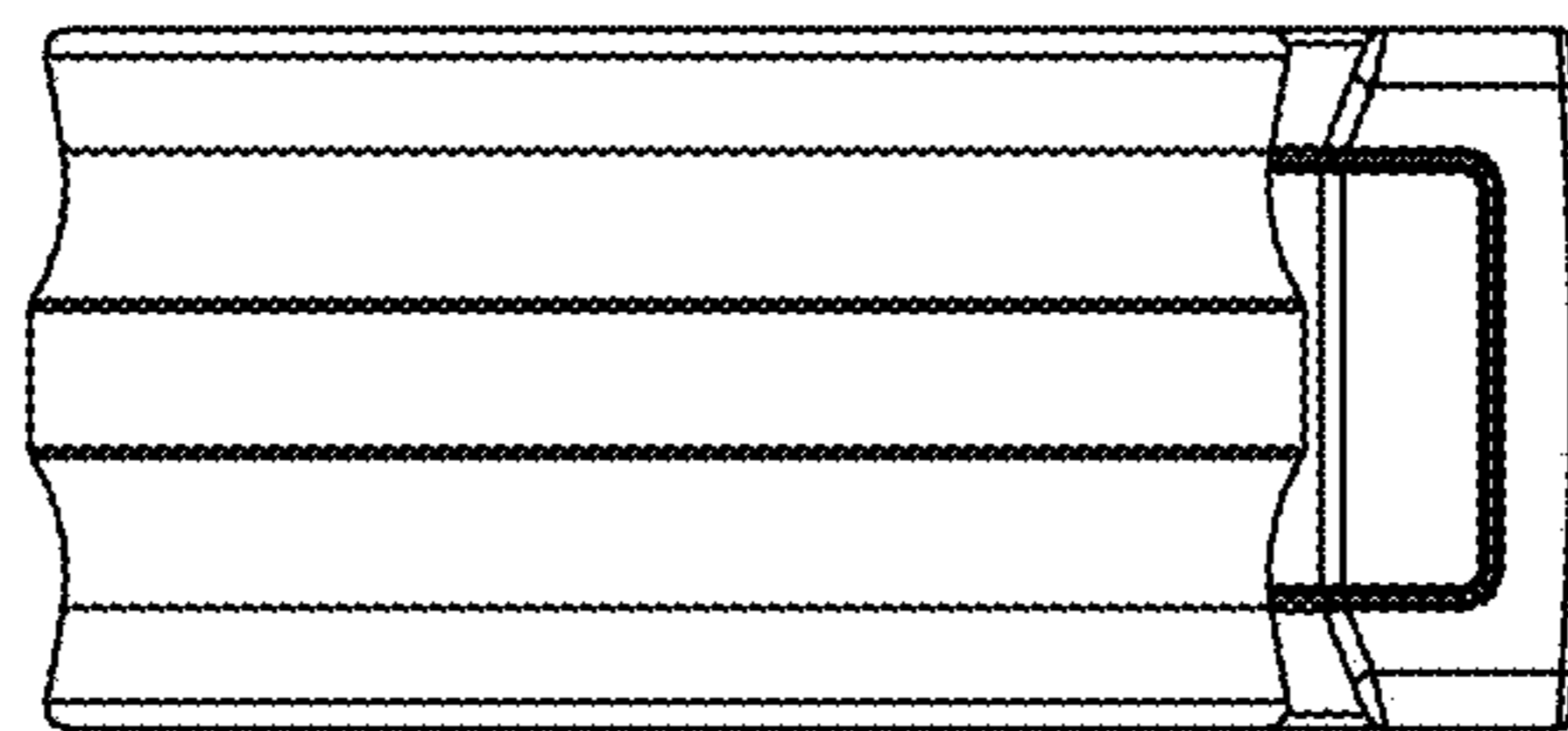
**Fig. 11**



**Fig 12**



**Fig. 13**



**Fig. 14**