



US00D918435S

(12) **United States Design Patent**
Liang et al.

(10) **Patent No.:** **US D918,435 S**

(45) **Date of Patent:** **** May 4, 2021**

(54) **WALL WASHER LIGHT**

(71) Applicant: **XIAMEN ECO LIGHTING CO., LTD.**, Fujian (CN)

(72) Inventors: **Jinhui Liang**, Fujian (CN); **Shouqiang Hou**, Fujian (CN)

(73) Assignee: **XIAMEN ECO LIGHTING CO., LTD.**, Fujian (CN)

(**) Term: **15 Years**

(21) Appl. No.: **29/687,935**

(22) Filed: **Apr. 17, 2019**

(51) **LOC (13) Cl.** **26-03**

(52) **U.S. Cl.**
USPC **D26/24**

(58) **Field of Classification Search**
USPC D26/24, 28, 60, 71, 72, 74, 81, 83, 88,
D26/89, 118, 120, 138, 139; D10/104.1,
D10/111, 114.1, 114.2
CPC F21V 1/00; F21V 1/02; F21V 1/04; F21V
1/14; F21V 21/02; F21V 15/00; F21V
15/01; F21V 15/012; F21V 7/00; F21V
7/04; F21V 7/008; F21V 7/0016; F21S
8/02; F21S 8/03; F21S 8/04; F21S 8/003;
F21S 8/033; F21S 8/036

See application file for complete search history.

(56) **References Cited**

U.S. PATENT DOCUMENTS

D411,324 S *	6/1999	Roorda	D26/72
D411,325 S *	6/1999	Roorda	D26/72
D411,326 S *	6/1999	Roorda	D26/72
D412,040 S *	7/1999	Hudak	D26/85
D442,729 S *	5/2001	Ruggles	D26/87
D444,258 S *	6/2001	Bradford	D26/87
D446,340 S *	8/2001	Bradford	D26/87
D454,971 S *	3/2002	Crosby	D26/85

D455,223 S *	4/2002	Crosby	D26/85
D456,932 S *	5/2002	Crosby	D26/85
D545,478 S *	6/2007	Morgan	D26/85
D565,233 S *	3/2008	Ladewig	D26/118
D617,491 S *	6/2010	Dordoni	D26/85
D646,423 S *	10/2011	Chiu	D26/85
D646,425 S *	10/2011	Crosby	D26/85
D705,477 S *	5/2014	Chen	D26/63
D736,449 S *	8/2015	Getty	D26/110
D805,236 S *	12/2017	Exley	D26/85
D823,521 S *	7/2018	Lehman	D26/85
D829,958 S *	10/2018	Brennenstuhl	D26/88

(Continued)

Primary Examiner — Wan Laymon

Assistant Examiner — Clint A Samuel

(74) *Attorney, Agent, or Firm* — Dinsmore & Shohl LLP

(57) **CLAIM**

The ornamental design for a wall washer light, as shown and described.

DESCRIPTION

FIG. 1 is a perspective view including a face, an end, and a side of the wall washer light;

FIG. 2 is a perspective view including an opposite face, an opposite end, and an opposite side of the wall washer light;

FIG. 3 is a plan view of the end of the wall washer light;

FIG. 4 is a plan view of the opposite end of the wall washer light.

FIG. 5 is a plan view of the opposite side of the wall washer light;

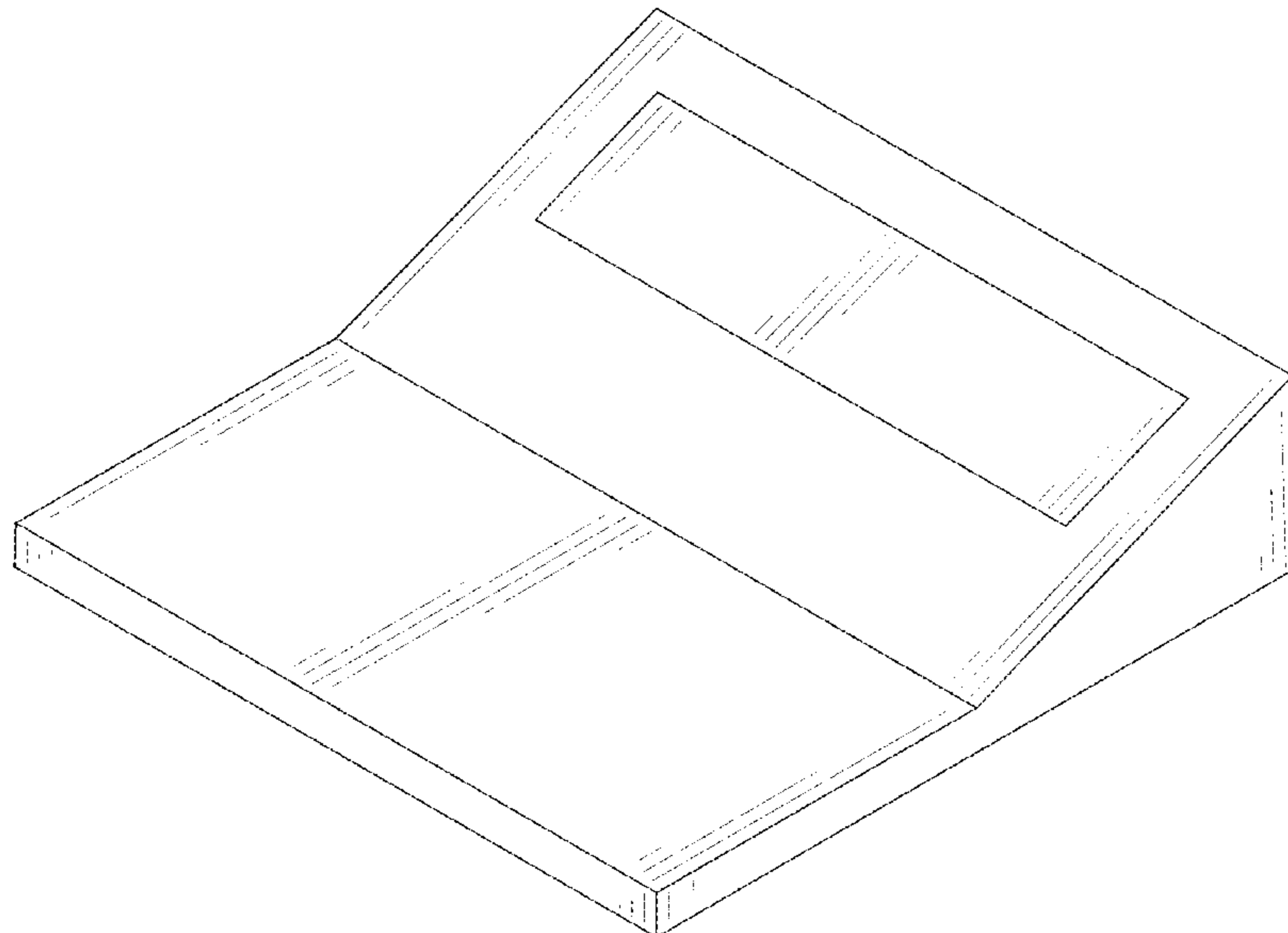
FIG. 6 is a plan view of the side of the wall washer light;

FIG. 7 is a plan view of the face of the wall washer light; and,

FIG. 8 is a plan view of the opposite face of the wall washer light.

The broken lines showing in the drawings are for the purpose of illustrating portions of the wall washer light and form no part of the claimed design.

1 Claim, 8 Drawing Sheets



(56)

References Cited

U.S. PATENT DOCUMENTS

D843,631	S	*	3/2019	Wen	D26/85
D852,402	S	*	6/2019	Zhu	D26/89
D854,222	S	*	7/2019	Hecht	D26/88
D871,616	S	*	12/2019	Lipson	D26/1
D872,342	S	*	1/2020	Dinh	D26/85
D872,343	S	*	1/2020	Lehman	D26/85
D878,639	S	*	3/2020	Luo	D26/24
D885,638	S	*	5/2020	Guo	D26/89
D888,313	S	*	6/2020	Xie	D26/74
D892,363	S	*	8/2020	Liu	D26/24
D902,448	S	*	11/2020	Murthy	D26/24
D902,764	S	*	11/2020	Kang	D10/114.1
D903,925	S	*	12/2020	Meise	D26/76
D906,568	S	*	12/2020	Wu	D26/72

* cited by examiner

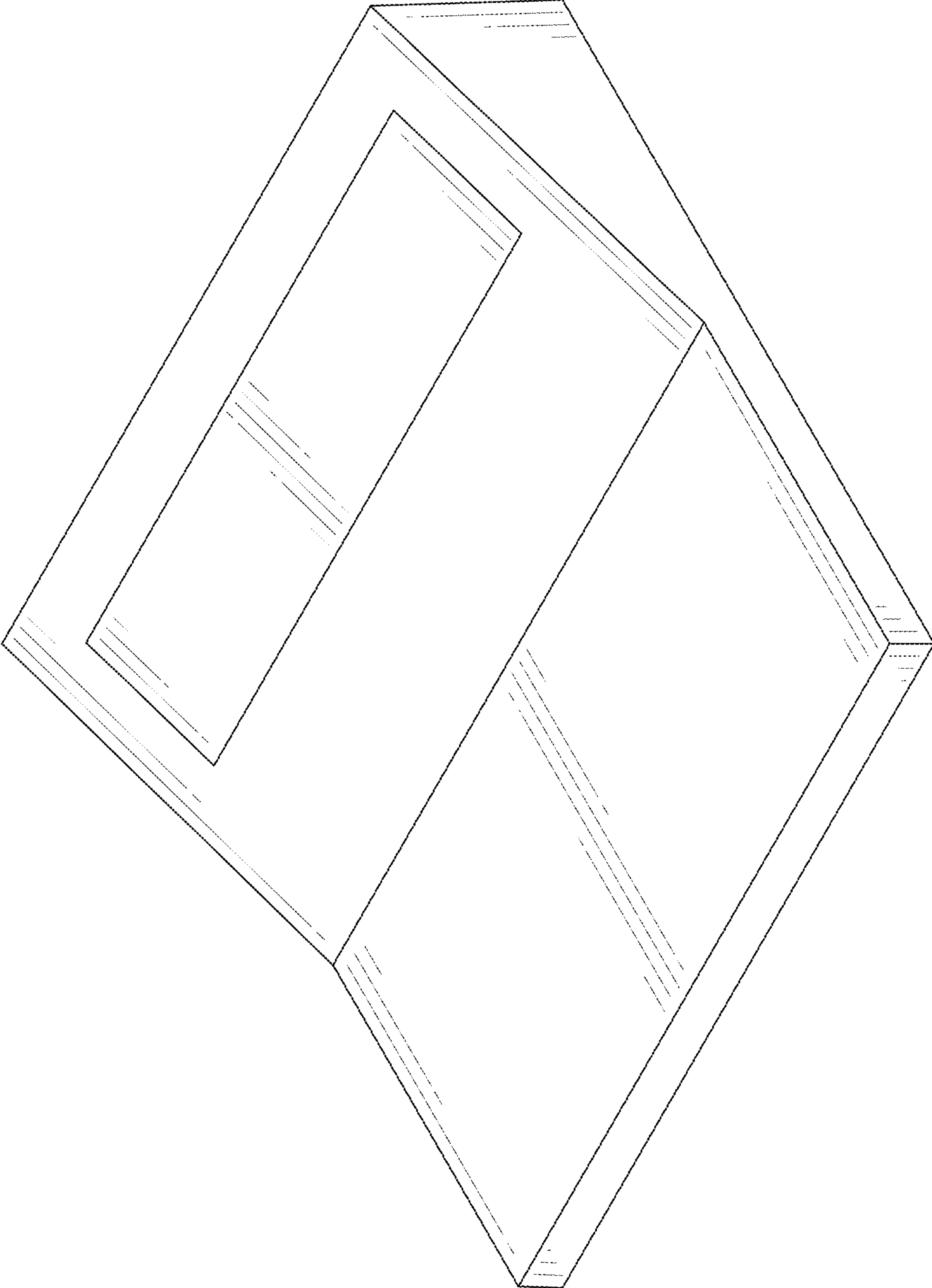


FIG. 1

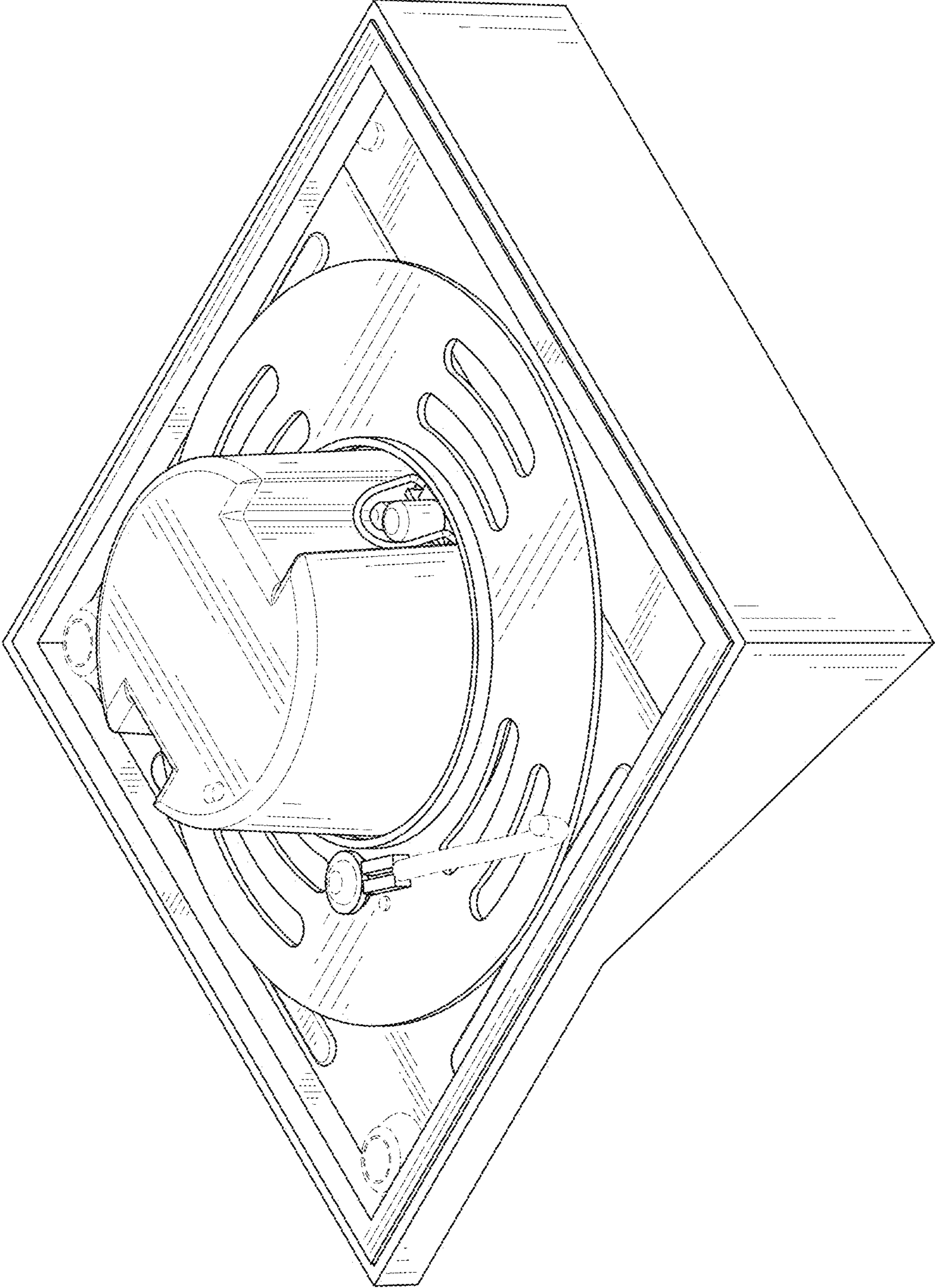


FIG. 2

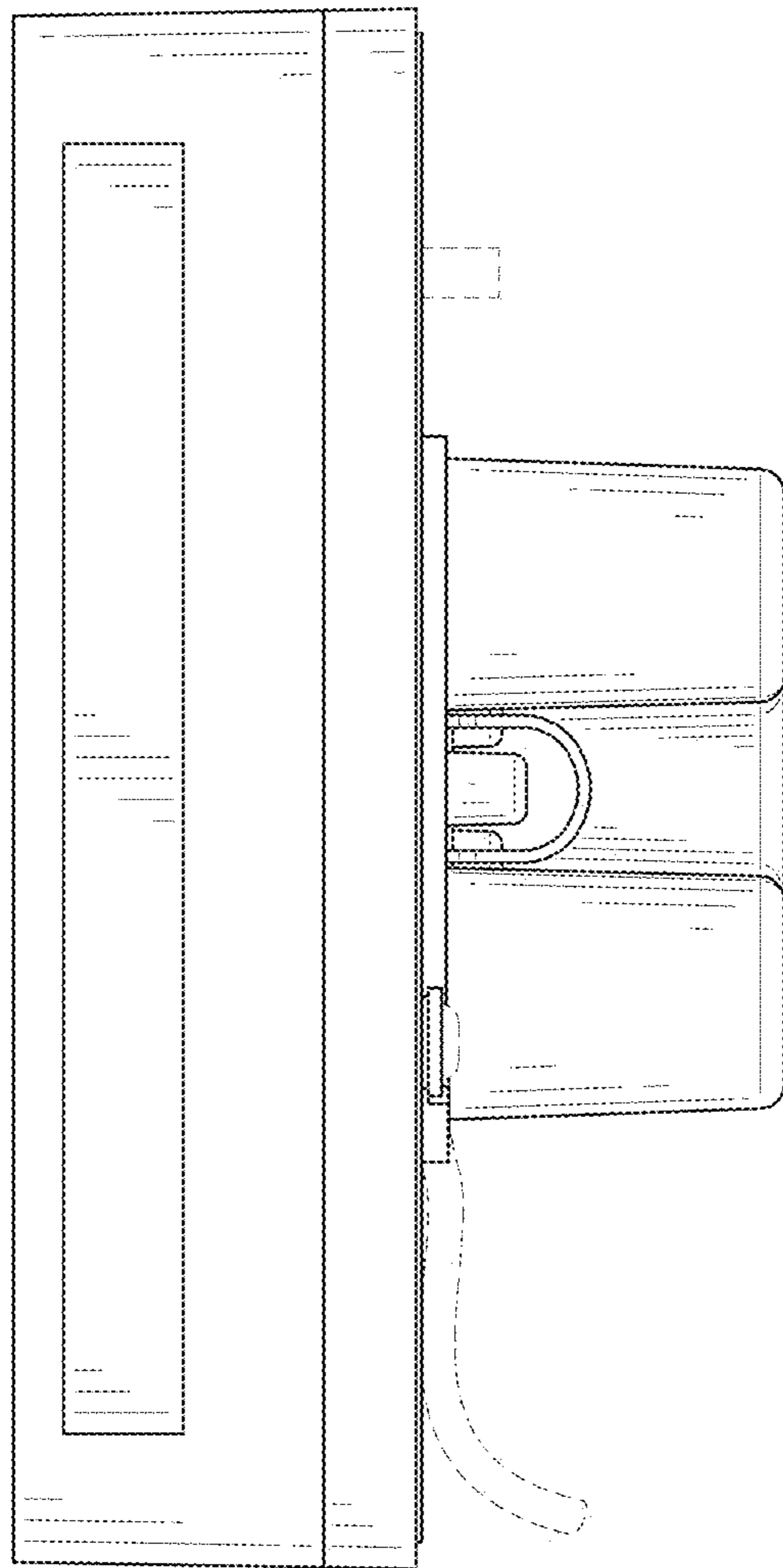


FIG. 3

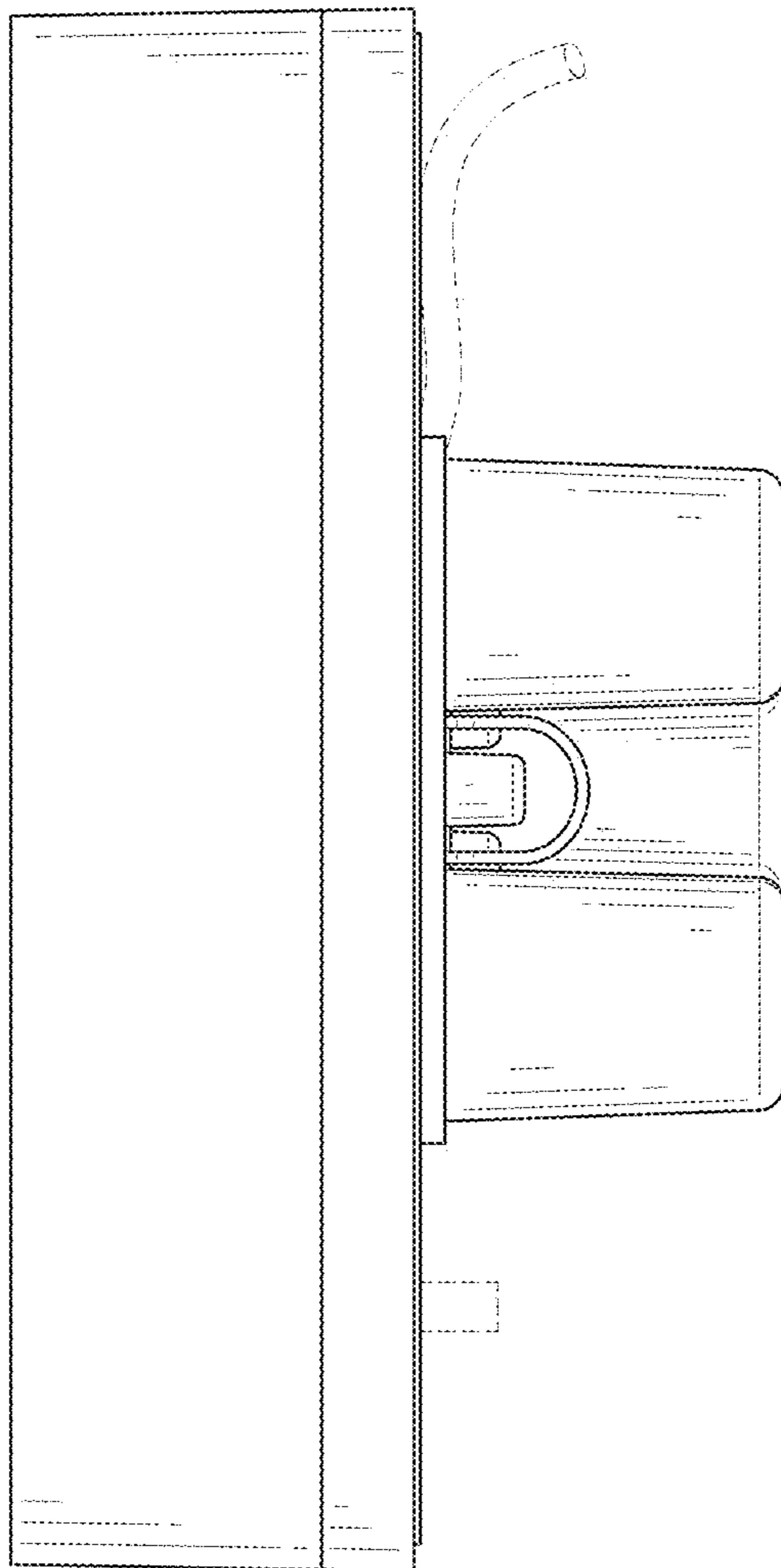


FIG. 4

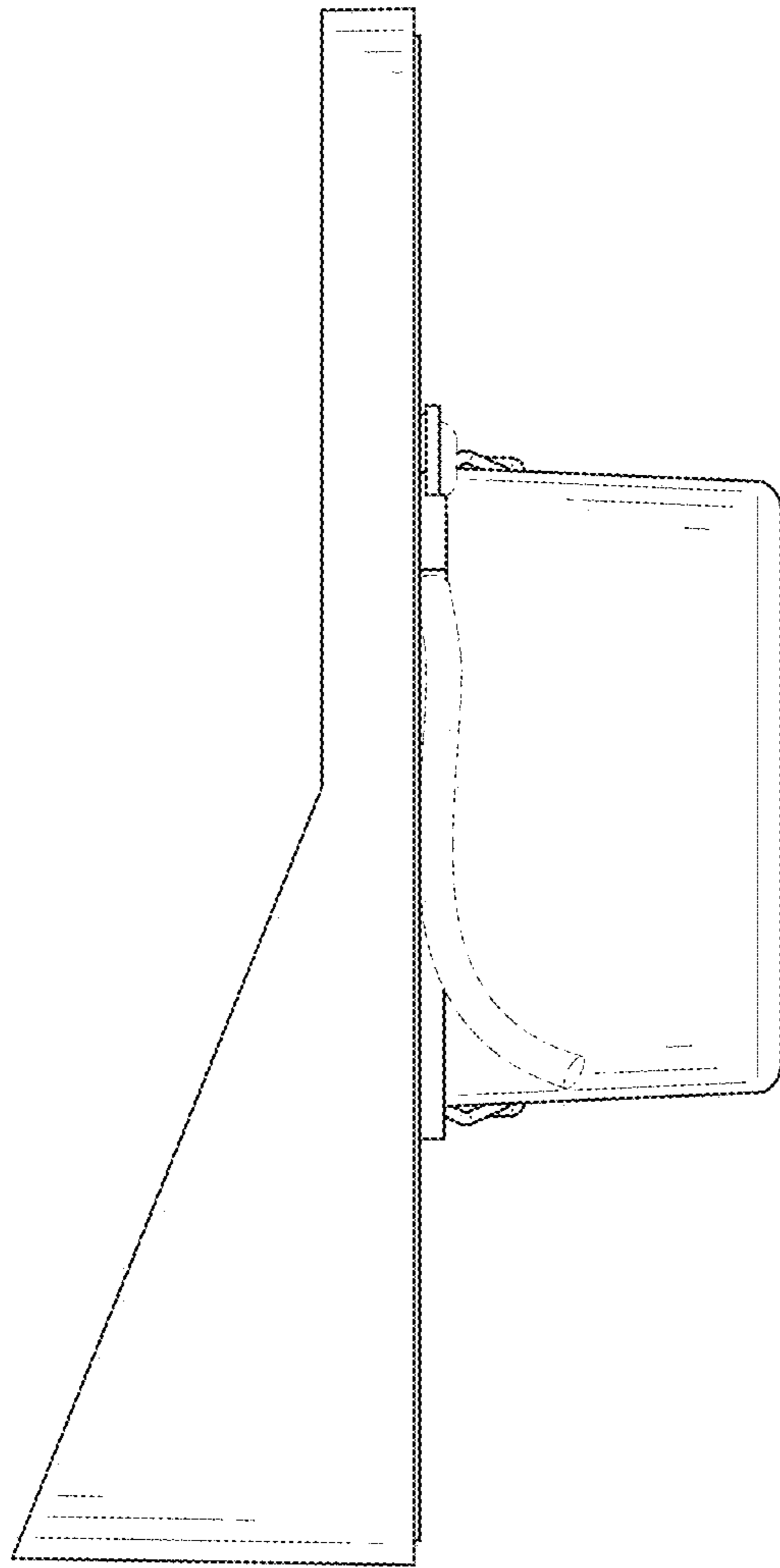


FIG. 5

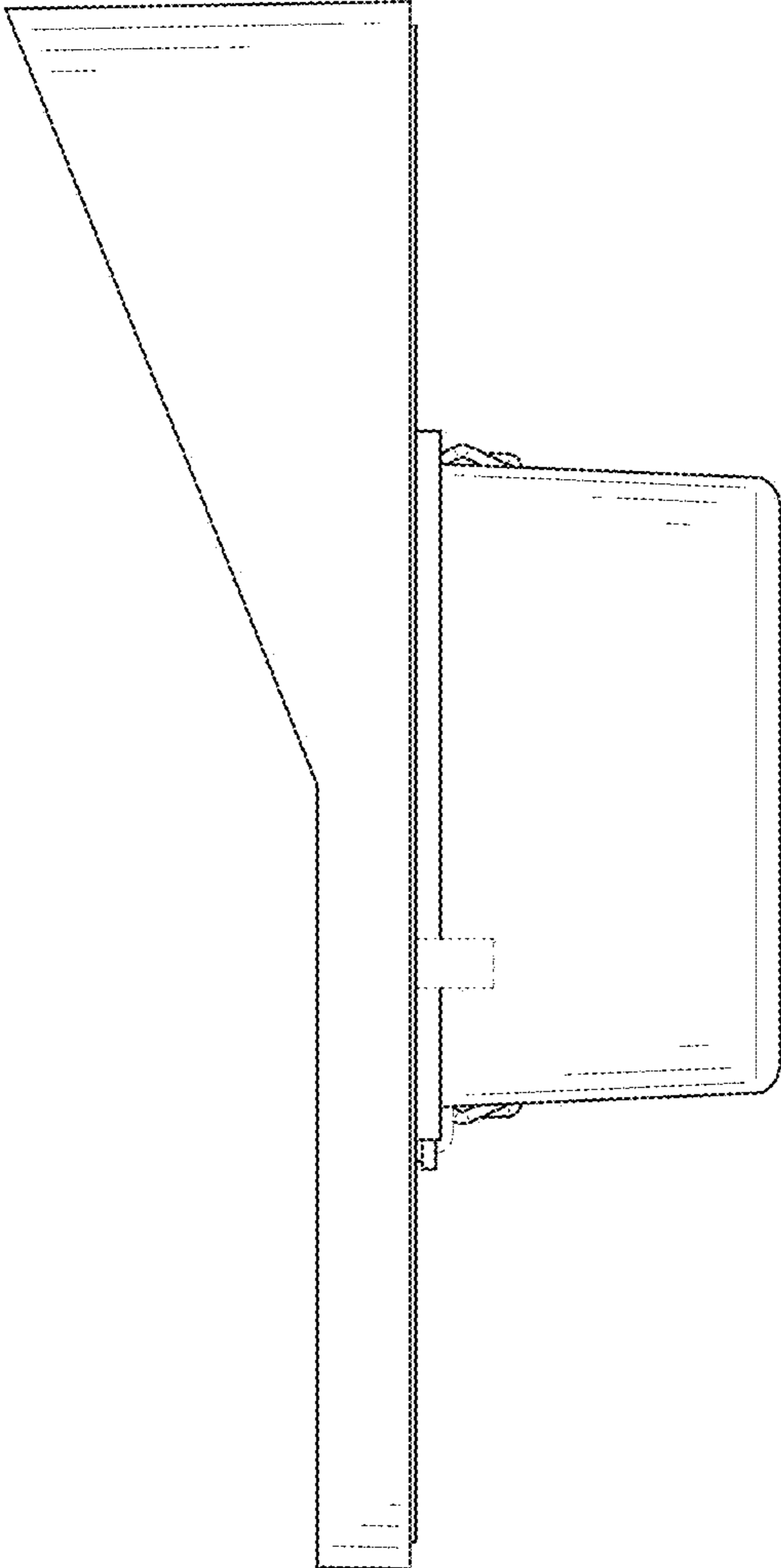


FIG. 6

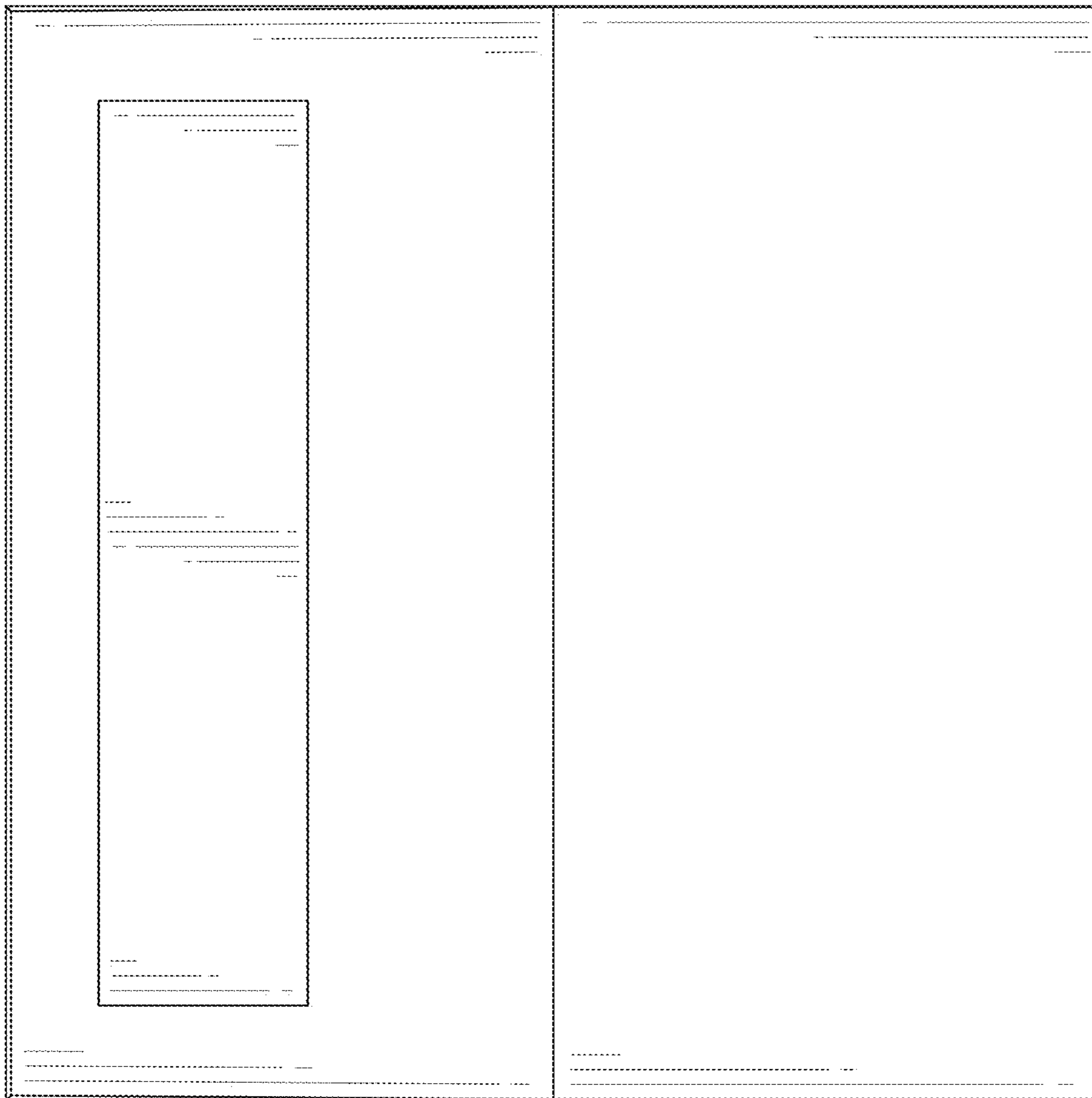


FIG. 7

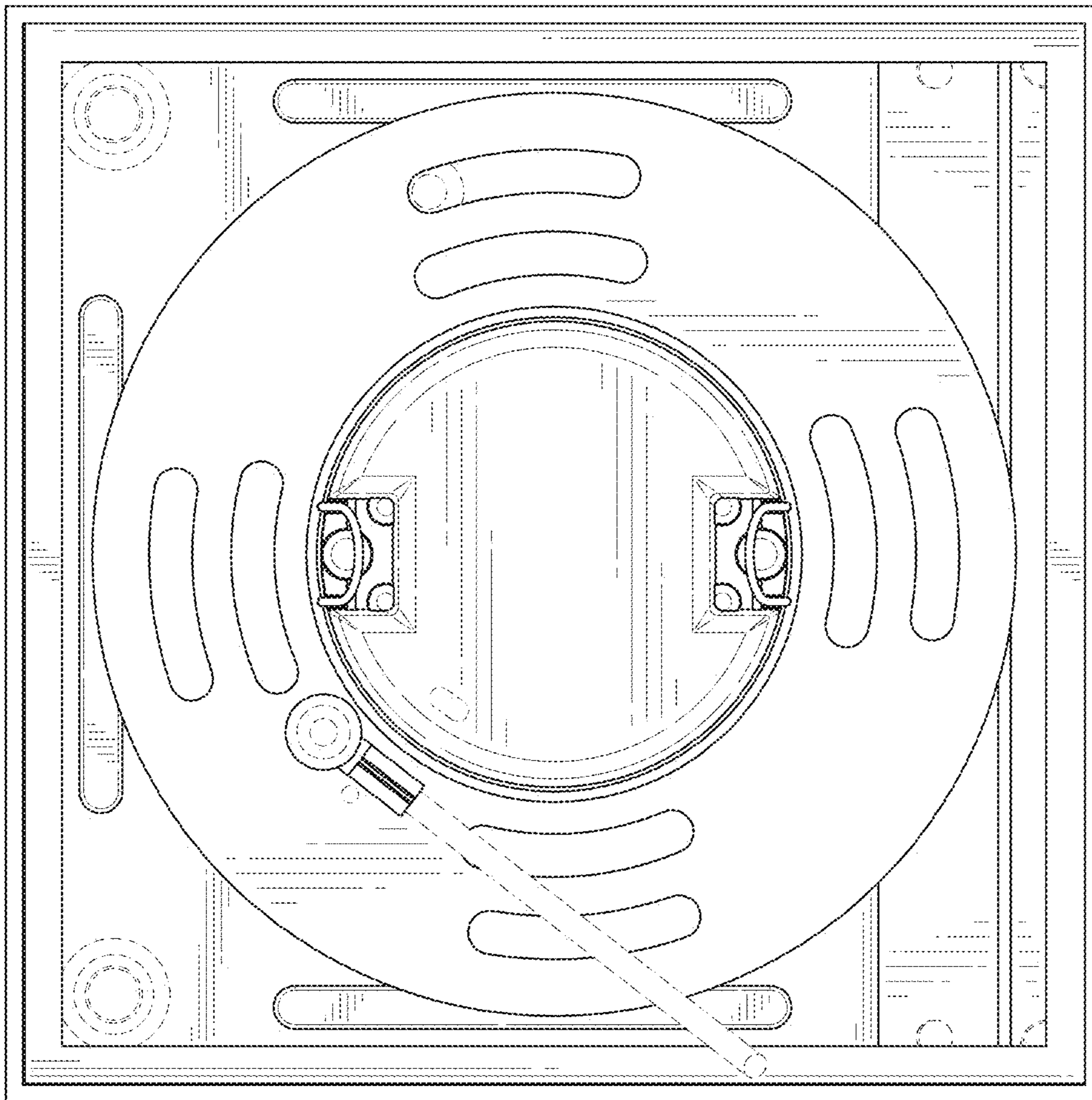


FIG. 8