



US00D918434S

(12) **United States Design Patent**
Mehmet

(10) **Patent No.:** **US D918,434 S**

(45) **Date of Patent:** **** May 4, 2021**

(54) **CANDLE JAR**

(71) Applicant: **Badisse Mehmet**, New York, NY (US)

(72) Inventor: **Badisse Mehmet**, New York, NY (US)

(**) Term: **15 Years**

(21) Appl. No.: **29/695,019**

(22) Filed: **Jun. 14, 2019**

(51) **LOC (13) Cl.** **26-01**

(52) **U.S. Cl.**
USPC **D26/9**

(58) **Field of Classification Search**
USPC D26/6-23; D99/5; D7/601, 602, 603,
D7/605, 612, 613; D9/414, 432, 516,
D9/560
CPC ... F23D 3/16; F23D 3/26; F21V 35/00; A47G
33/00; B65D 1/0246; B65D 50/046;
B65D 2501/0081; B65D 1/0223; B65D
39/08; B65D 41/3447

See application file for complete search history.

(56) **References Cited**

U.S. PATENT DOCUMENTS

D94,473 S *	2/1935	Ganz	D9/432
D121,995 S *	8/1940	May	D9/432
D187,039 S *	1/1960	Straus	D7/612
3,910,753 A *	10/1975	Lee	F23D 3/16 431/290
D261,717 S *	11/1981	Mont	D7/612
D272,605 S *	2/1984	Pelletier	D9/431
D359,904 S *	7/1995	Mabry	D9/431
D380,417 S *	7/1997	Hardy	D11/125
D394,910 S *	6/1998	Volker	D26/9
D426,161 S *	6/2000	Hestehave	D9/520
D442,302 S *	5/2001	Hsu	D26/11
D455,849 S *	4/2002	Yeh	D26/114

D456,541 S *	4/2002	Yeh	D26/8
D489,143 S *	4/2004	Clarkson	D26/9
D494,869 S *	8/2004	McNiel	D9/560
D548,371 S *	8/2007	Kleist	D26/8
D585,707 S *	2/2009	Weinstein	D7/612
D678,074 S *	3/2013	De France	D9/560
D684,293 S *	6/2013	Lastimosa	D26/87
D750,290 S *	2/2016	Potter	D26/8
D756,545 S *	5/2016	Goodsell	D26/9
D840,241 S *	2/2019	Mandelbaum	D9/569
D891,921 S *	8/2020	Davies	D9/432
D899,652 S *	10/2020	Shen	D26/51

* cited by examiner

Primary Examiner — Shannon W Morgan

Assistant Examiner — Keith Frank

(57) **CLAIM**

The ornamental design for a candle jar, as shown and described.

DESCRIPTION

FIG. 1 is a top front perspective view of a candle jar showing my new design;

FIG. 2 is a bottom front perspective view thereof;

FIG. 3 is a top rear perspective view thereof;

FIG. 4 is an exploded, top front perspective view thereof;

FIG. 5 is an exploded bottom front perspective view thereof;

FIG. 6 is a front view thereof;

FIG. 7 is a rear view thereof;

FIG. 8 is a right side view thereof;

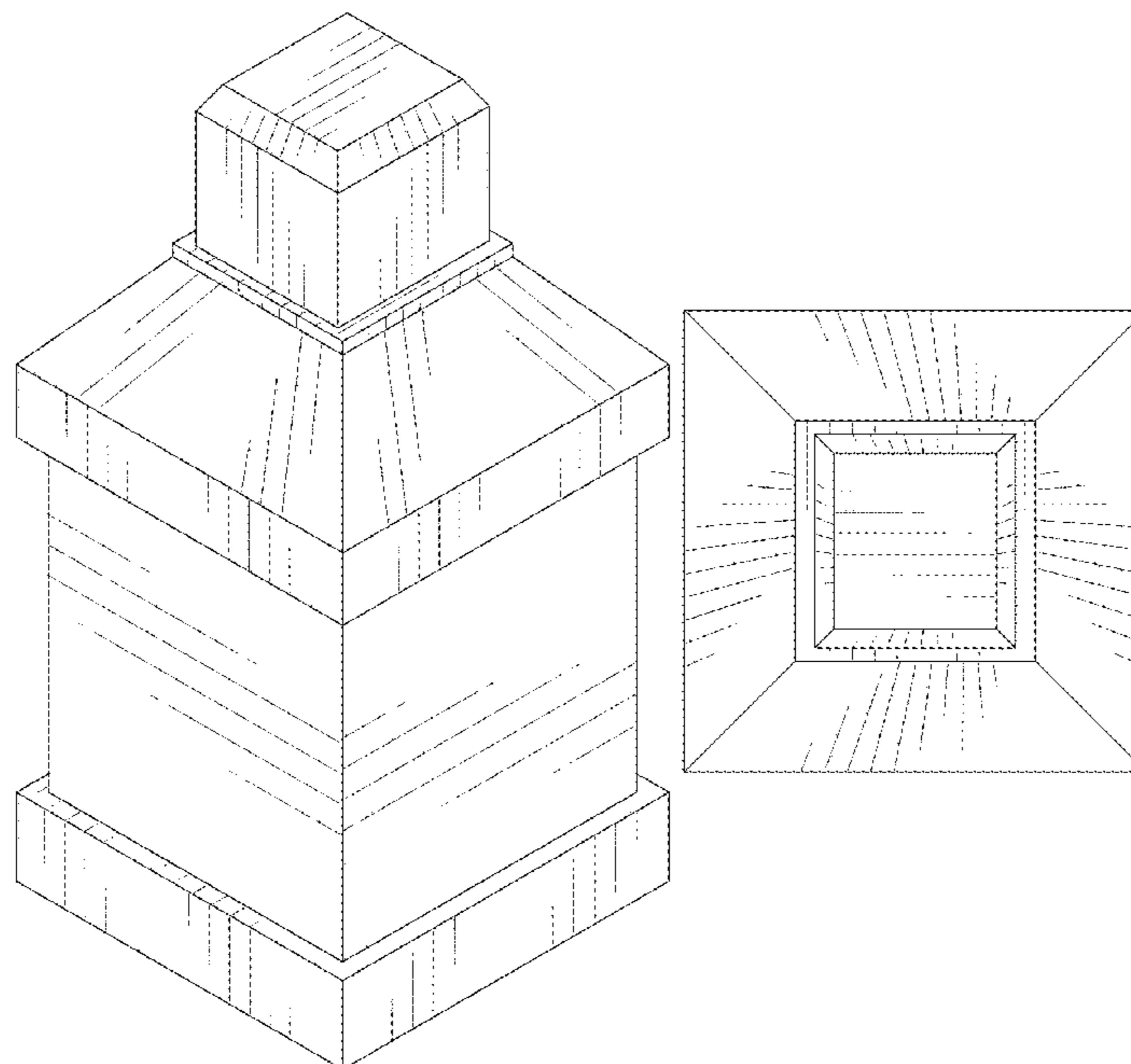
FIG. 9 is a left side view thereof;

FIG. 10 is a top view thereof; and,

FIG. 11 is a bottom view thereof.

The broken lines in the drawings showing of the candle jar illustrate the portions of the candle jar that form no part of the claimed design.

1 Claim, 11 Drawing Sheets



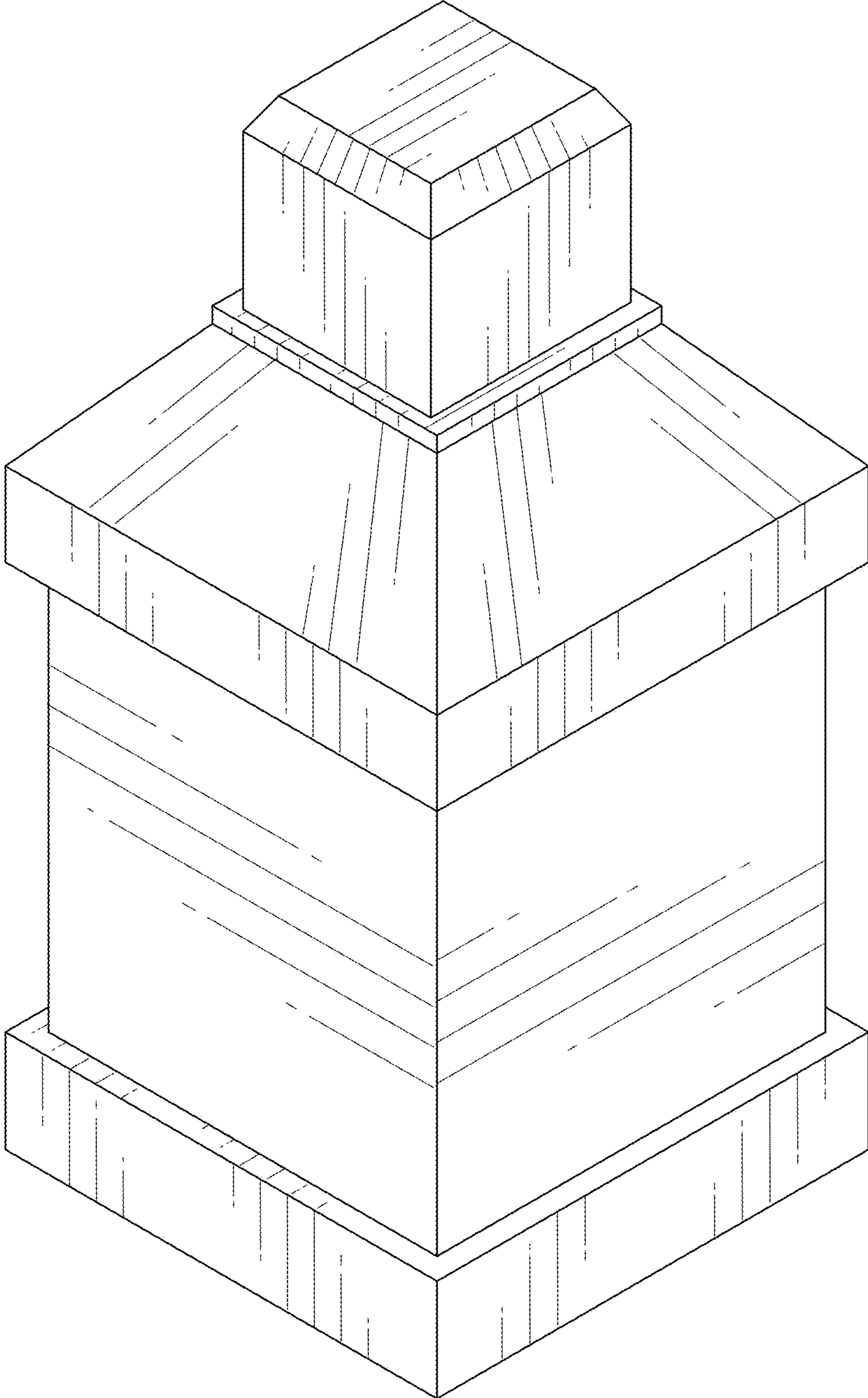


FIG. 1

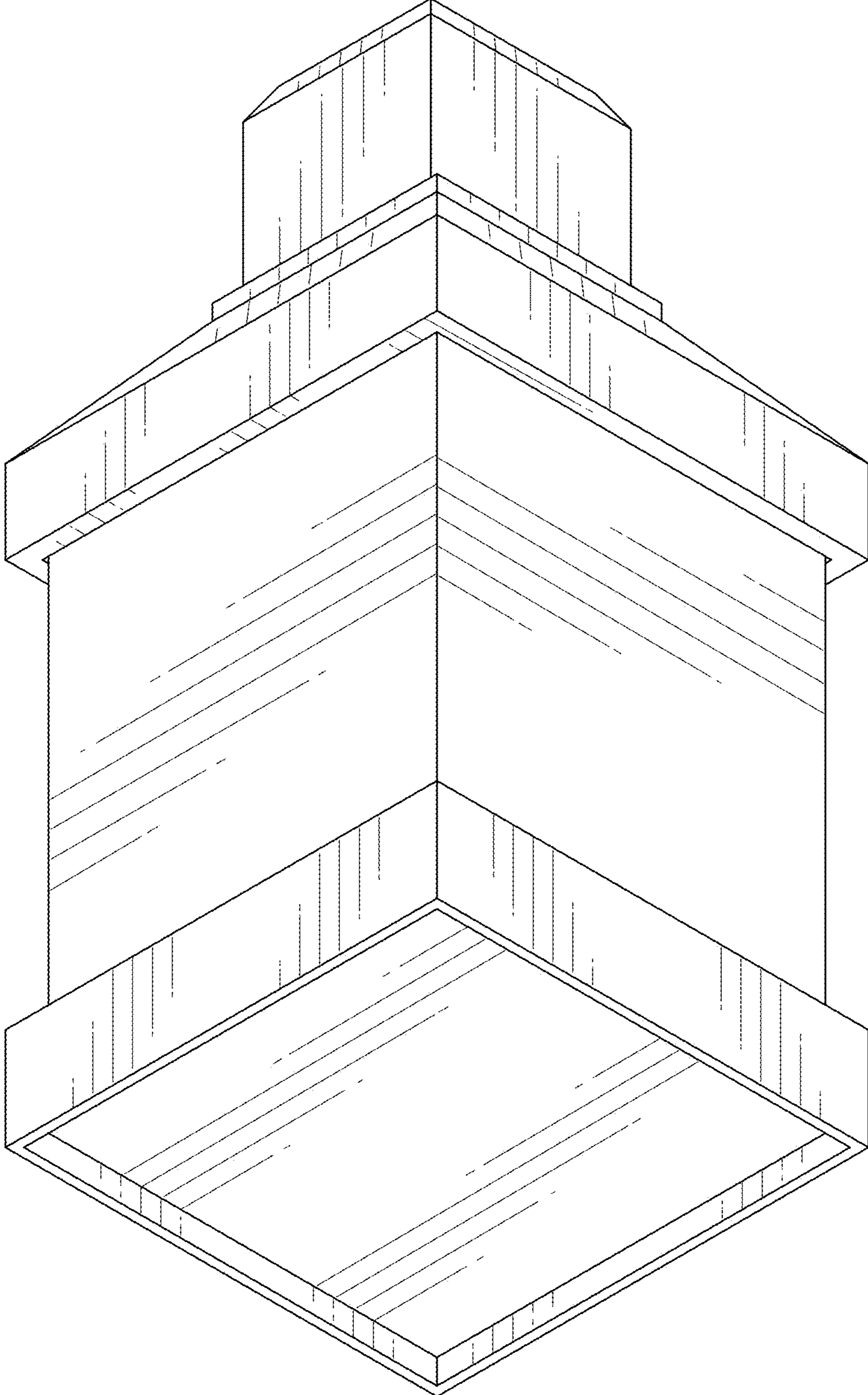


FIG. 2

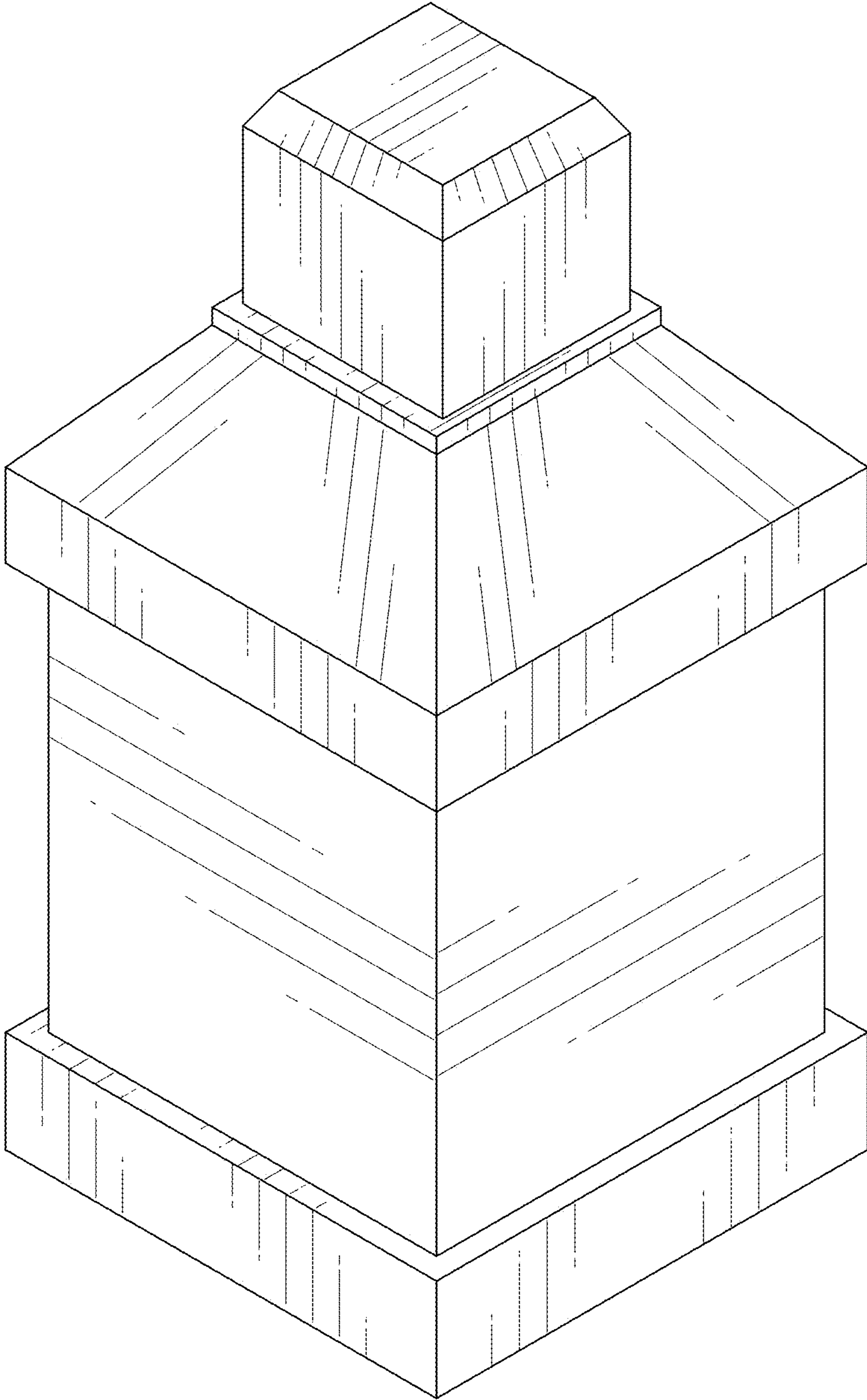


FIG.3

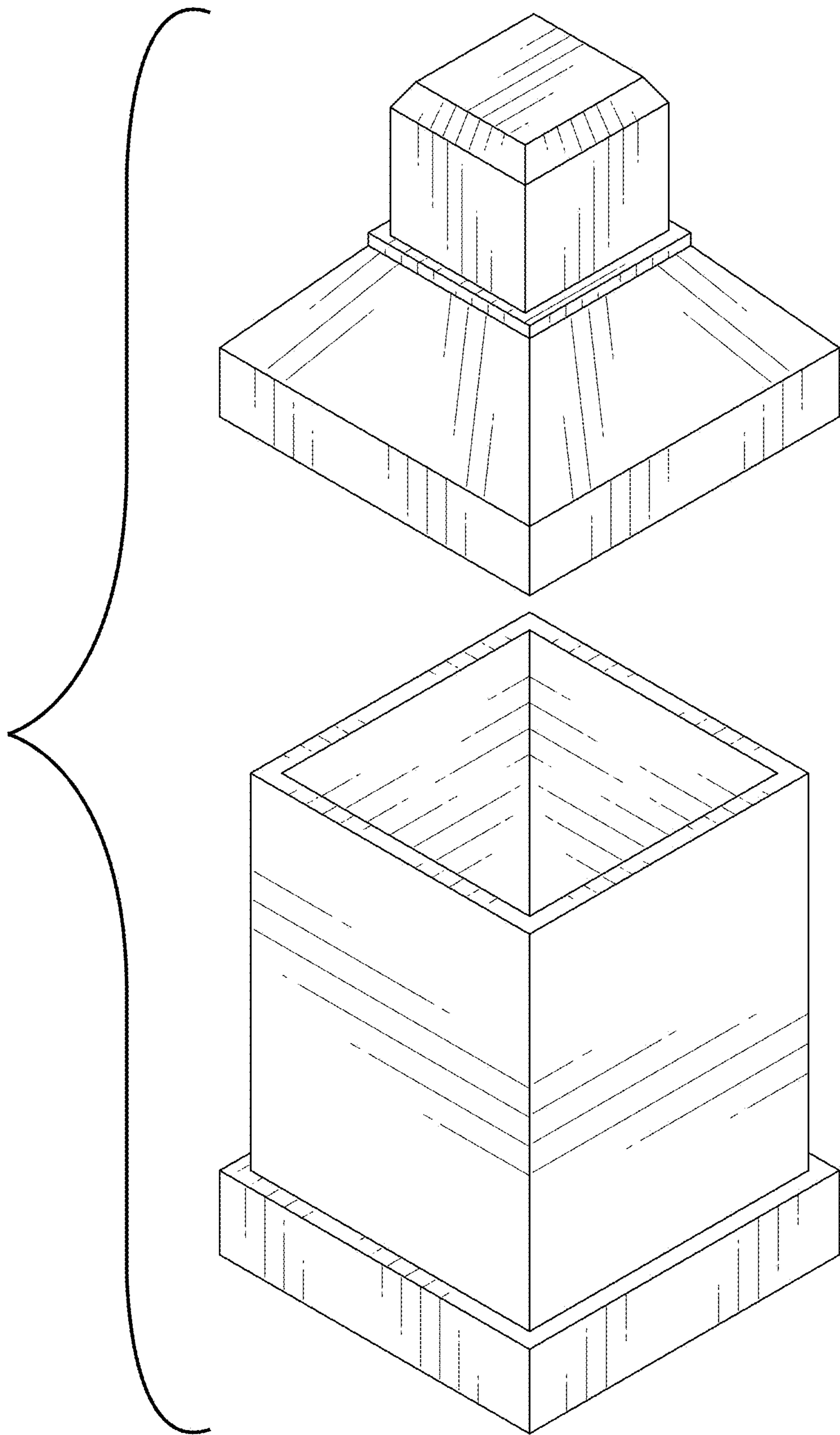


FIG. 4

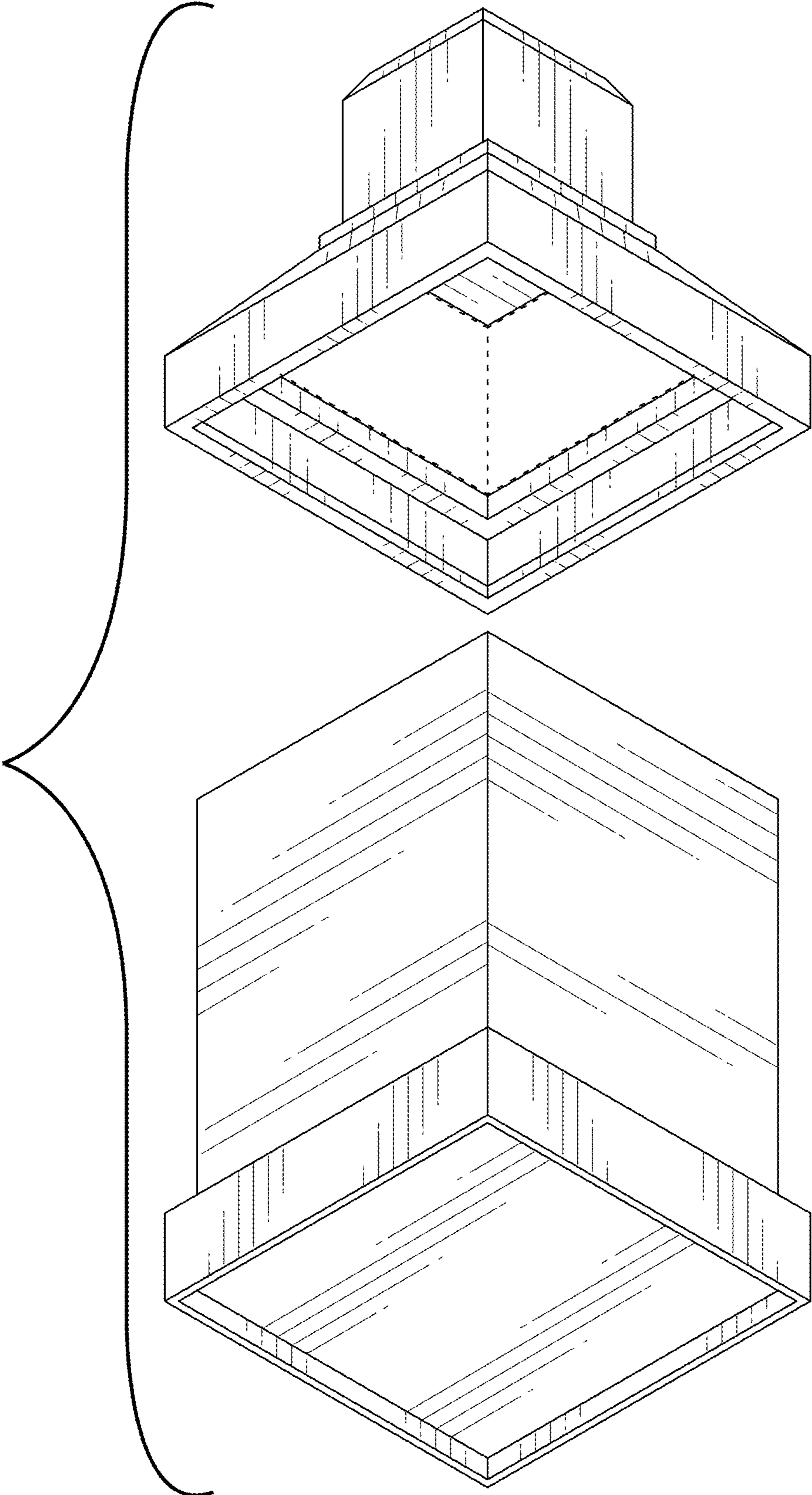


FIG. 5

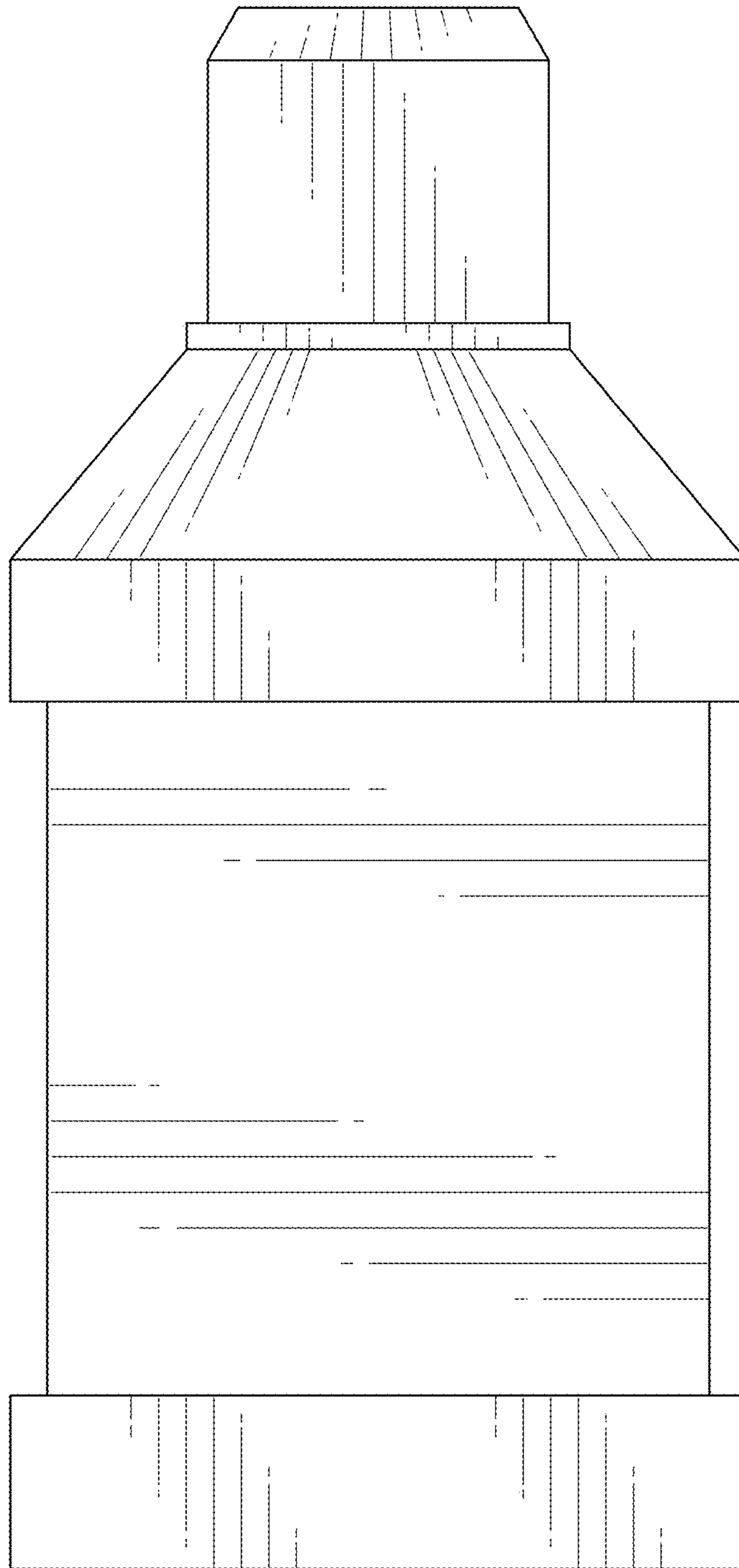


FIG. 6

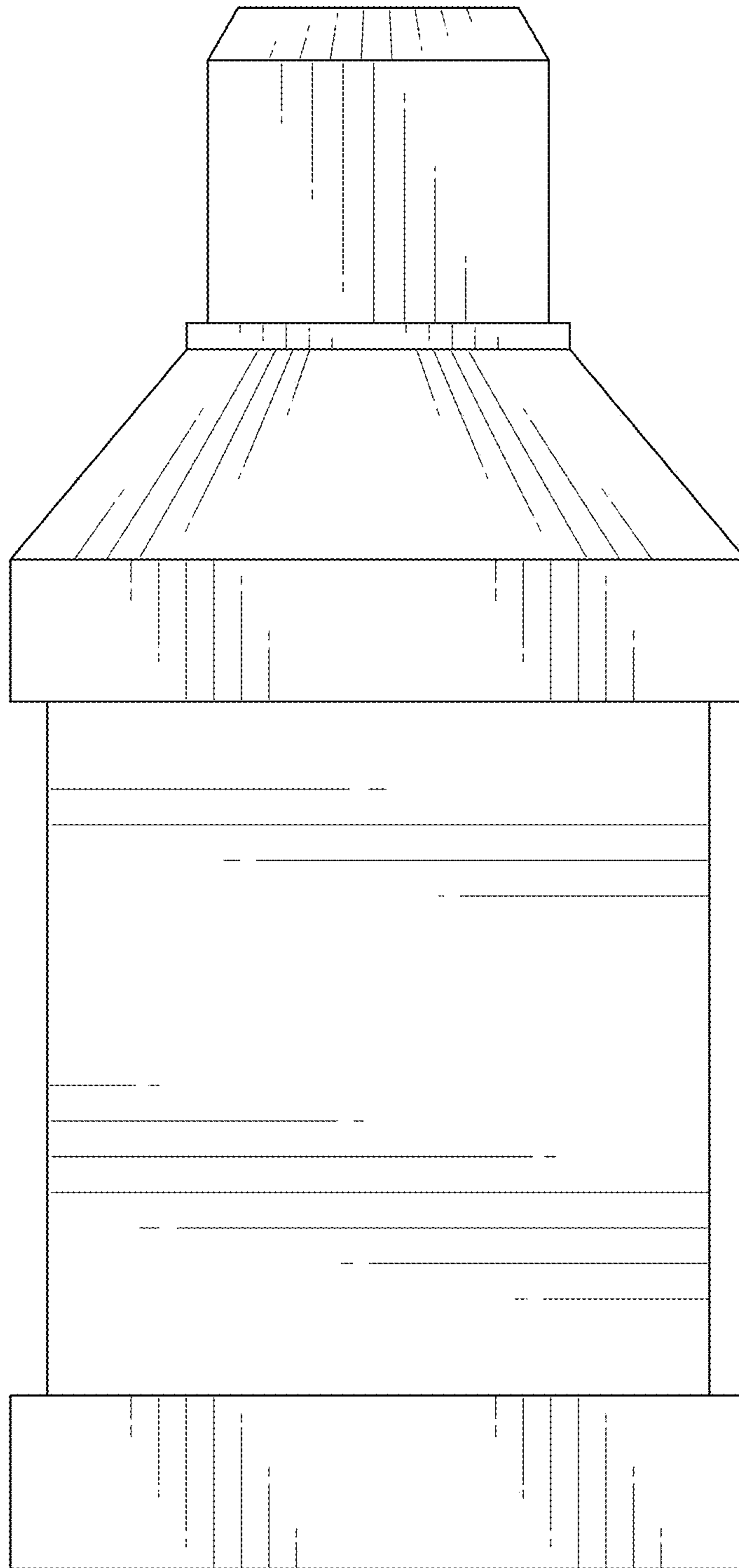


FIG. 7

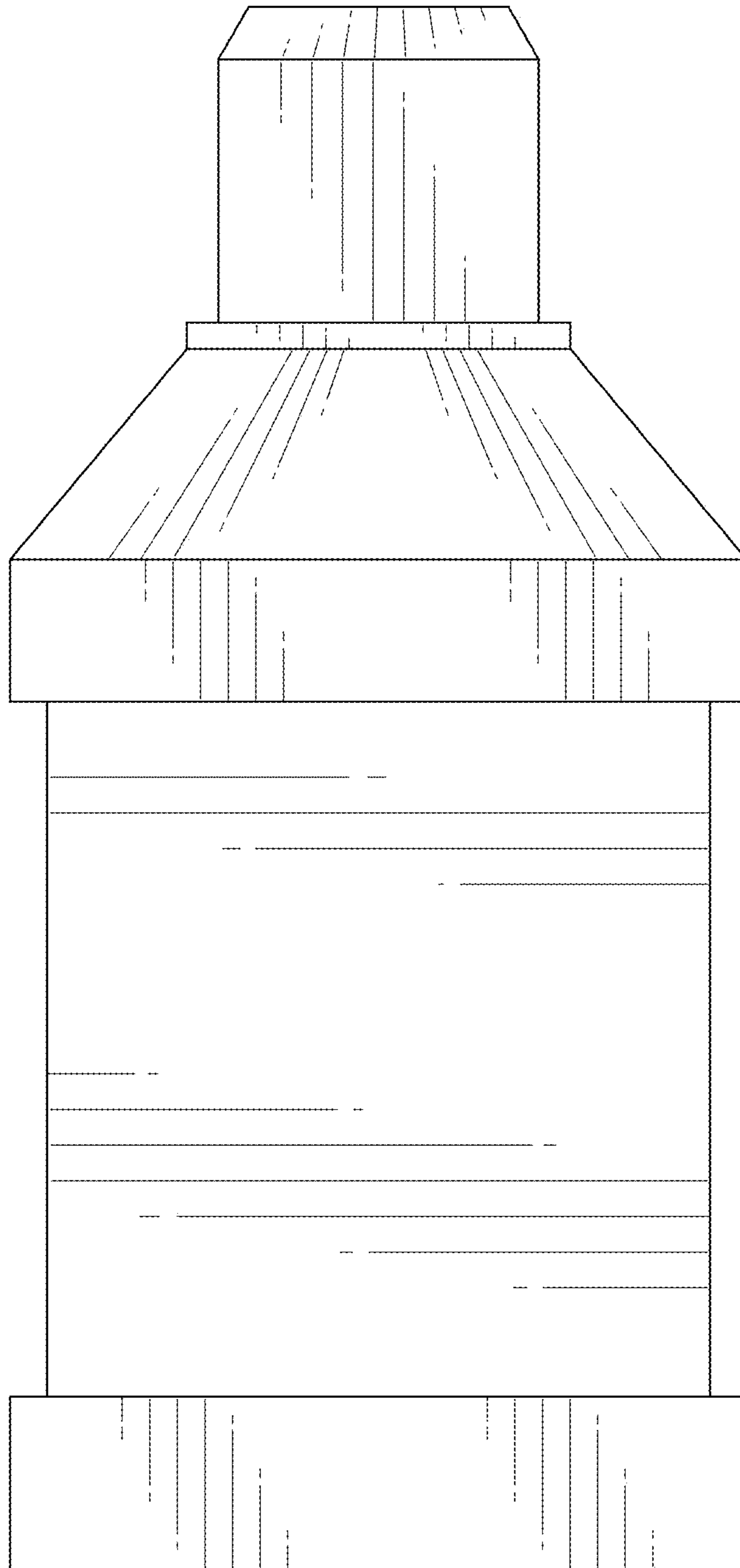


FIG. 8

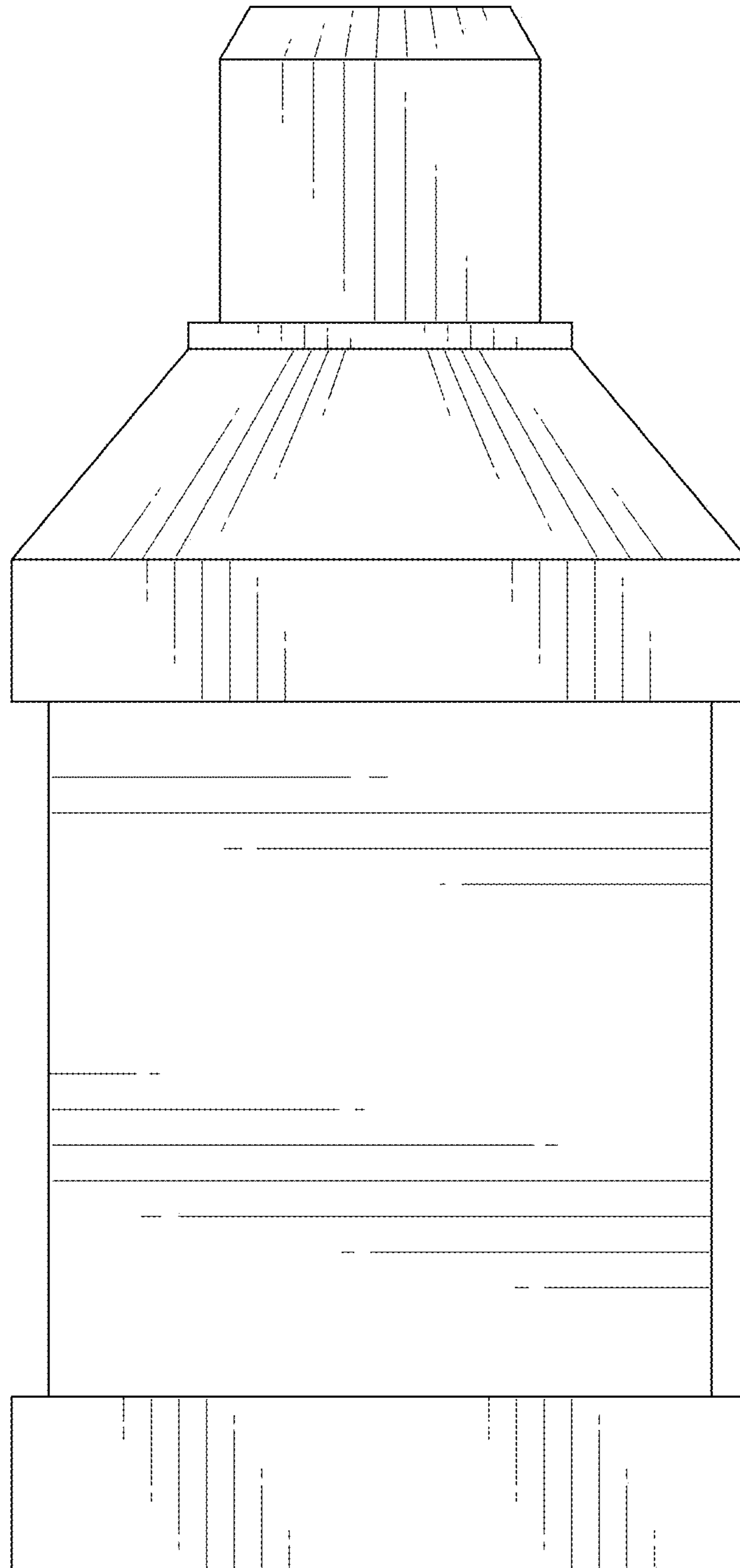


FIG. 9

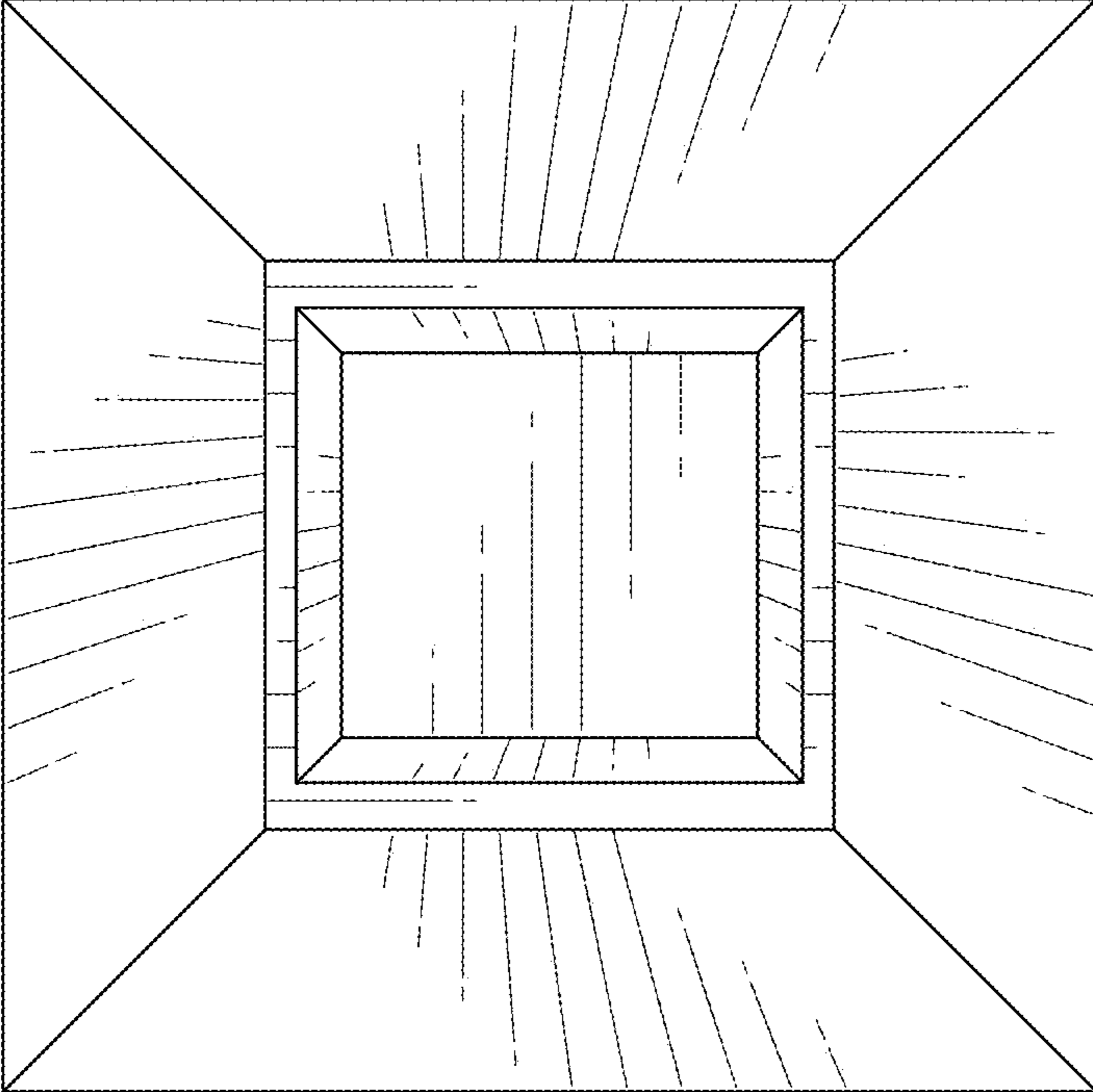


FIG. 10

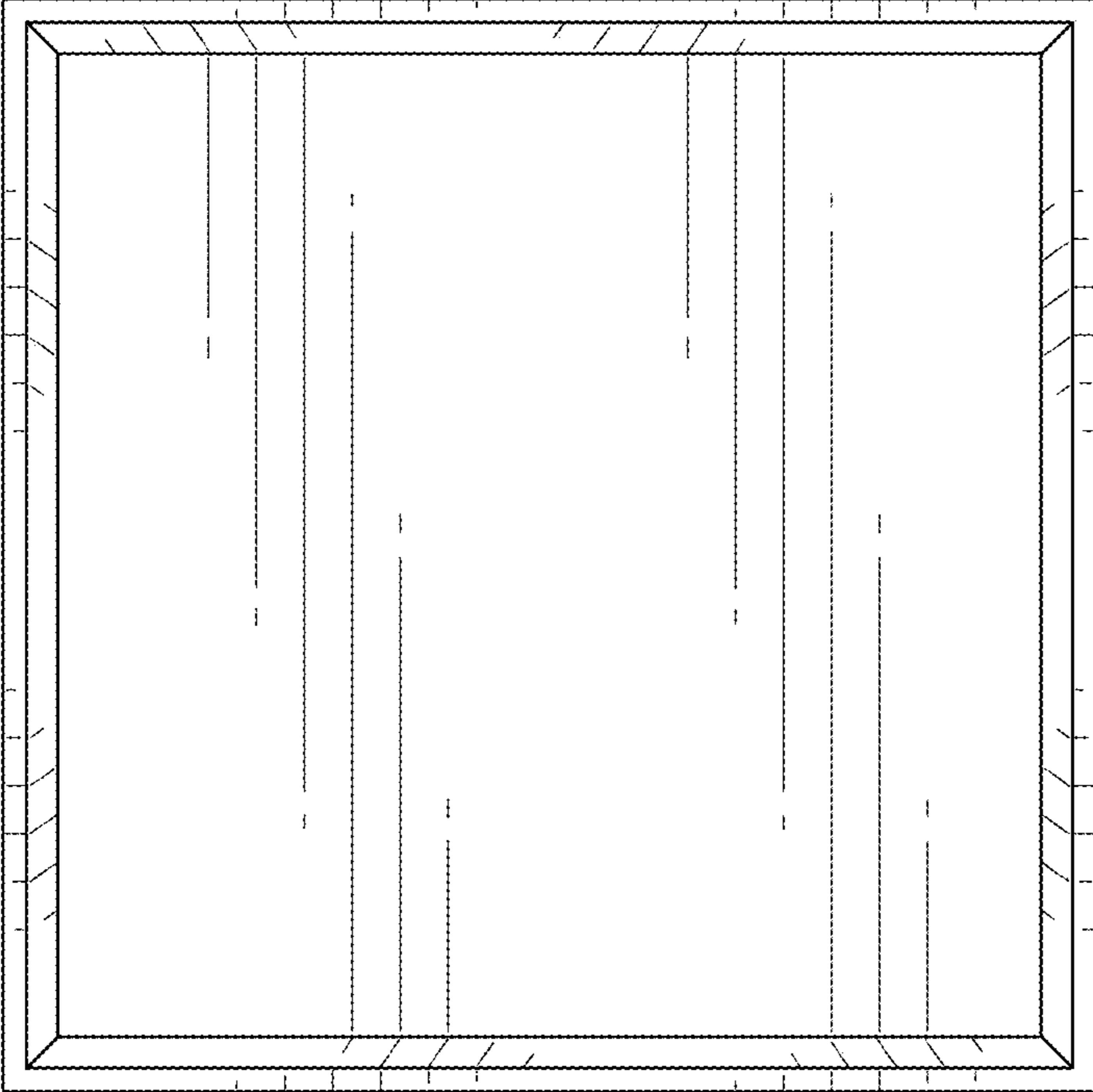


FIG. 11