



US00D918433S

(12) **United States Design Patent** (10) **Patent No.:** **US D918,433 S**
Koptis et al. (45) **Date of Patent:** **** *May 4, 2021**

- (54) **DOUBLE ENDED CANDLE**
- (71) Applicants: **Kurt Koptis**, Joshua Tree, CA (US);
Suzetta Von Zell, Joshua Tree, CA (US)
- (72) Inventors: **Kurt Koptis**, Joshua Tree, CA (US);
Suzetta Von Zell, Joshua Tree, CA (US)
- (*) Notice: This patent is subject to a terminal disclaimer.
- (**) Term: **15 Years**
- (21) Appl. No.: **29/691,388**
- (22) Filed: **May 15, 2019**
- (51) **LOC (13) Cl.** **26-01**
- (52) **U.S. Cl.**
USPC **D26/9**
- (58) **Field of Classification Search**
USPC D26/6-23; D9/418, 428, 432; D11/131, D11/145, 152, 155; D20/10, 21; D6/657, 659, 661, 661.3, 671, 675, 677
CPC F21V 99/00; F21V 35/00; F21V 37/00; F21V 21/06; C11C 5/008; C11C 5/00; Y10S 362/806; Y10S 229/923; F23D 3/08; F23D 3/16; B65D 5/52; A47G 33/00
See application file for complete search history.

- (56) **References Cited**
U.S. PATENT DOCUMENTS
D380,417 S * 7/1997 Hardy D11/125
D426,087 S * 6/2000 Walls, Jr. D17/24
D468,636 S * 1/2003 Weinstein D9/418
D474,046 S * 5/2003 Brown, III D6/661
D512,661 S * 12/2005 Morris D11/131
D518,408 S * 4/2006 Harrity D11/131
D526,190 S * 8/2006 Bolt D9/418

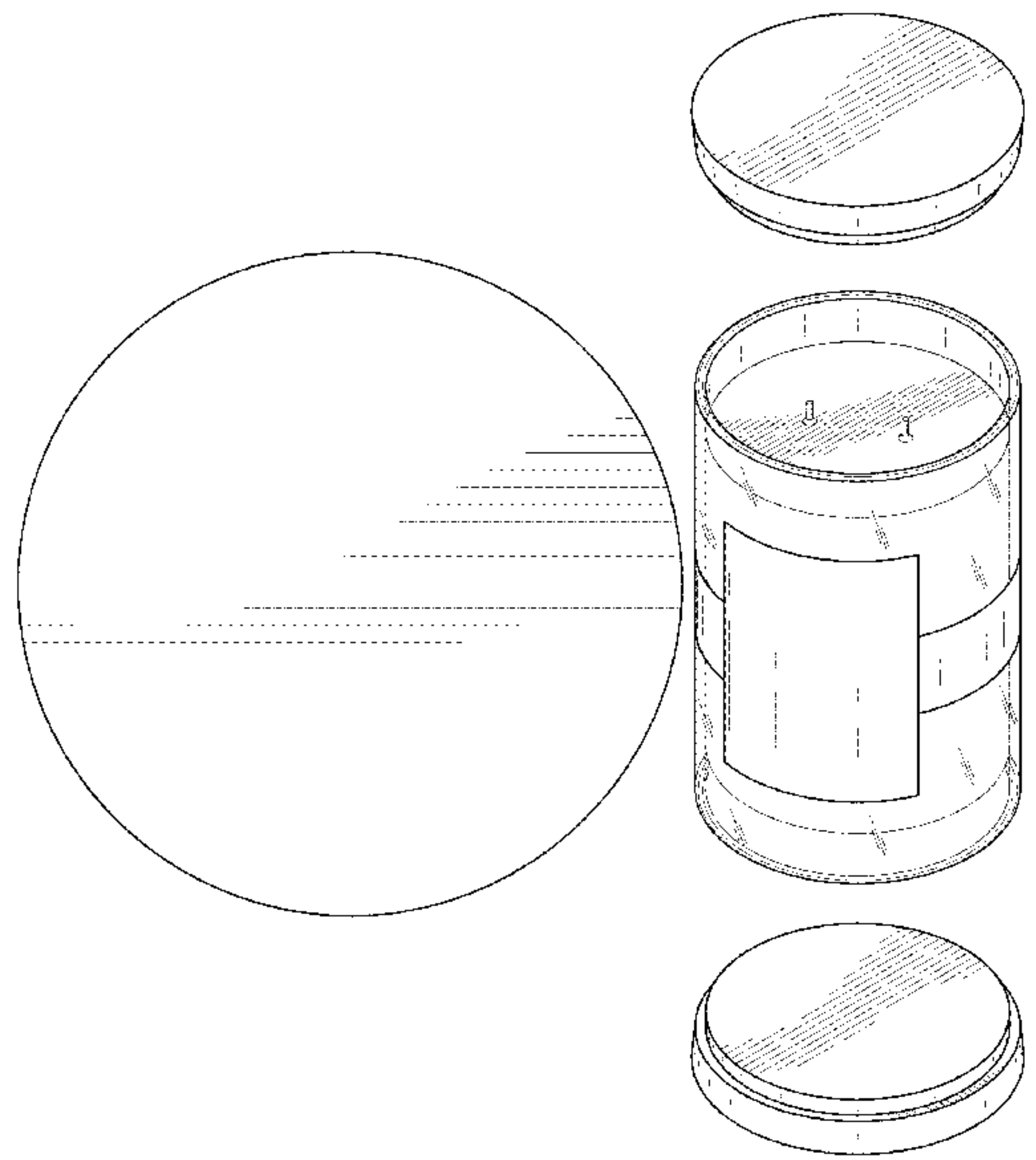
- D527,252 S * 8/2006 Bolt D9/418
- D553,488 S * 10/2007 Pacheco D9/418
- D591,589 S * 5/2009 Myers D7/615
- D592,046 S * 5/2009 Myers D7/615
- D627,088 S * 11/2010 Schwartz D26/23
- D631,700 S * 2/2011 Flick D7/523
- D645,172 S * 9/2011 Cobb D26/6
- D660,997 S * 5/2012 Seum D26/23
- D695,930 S * 12/2013 Kittredge, III D26/22
- D695,932 S * 12/2013 Kittredge, III D26/22
- D698,641 S * 2/2014 Theisen D9/418
- D733,944 S * 7/2015 Cohanim D26/22
- D815,977 S * 4/2018 Hollis D11/145
- D817,771 S * 5/2018 Smith D9/635
- D823,696 S * 7/2018 O'Neill D9/711
- D829,024 S * 9/2018 Mejia D6/661
- D868,485 S * 12/2019 Thelusma D6/315
- 2008/0151534 A1 * 6/2008 Lin F21S 10/04 362/191

* cited by examiner
Primary Examiner — Shannon W Morgan
Assistant Examiner — Keith Frank
(74) *Attorney, Agent, or Firm* — Law Offices of David M. Lang; David M. Lang

(57) **CLAIM**
The ornamental design for a double ended candle, as shown and described.

DESCRIPTION
FIG. 1 is a top perspective view of a double ended candle showing our new design.
FIG. 2 is a bottom perspective view thereof.
FIG. 3 is a top view thereof.
FIG. 4 is a bottom view thereof.
FIG. 5 is a side elevation view thereof.
FIG. 6 is a front elevation view thereof.
FIG. 7 is a back elevation view thereof.
FIG. 8 is an exploded perspective view thereof; and,
FIG. 9 is a side exploded view thereof.

1 Claim, 9 Drawing Sheets



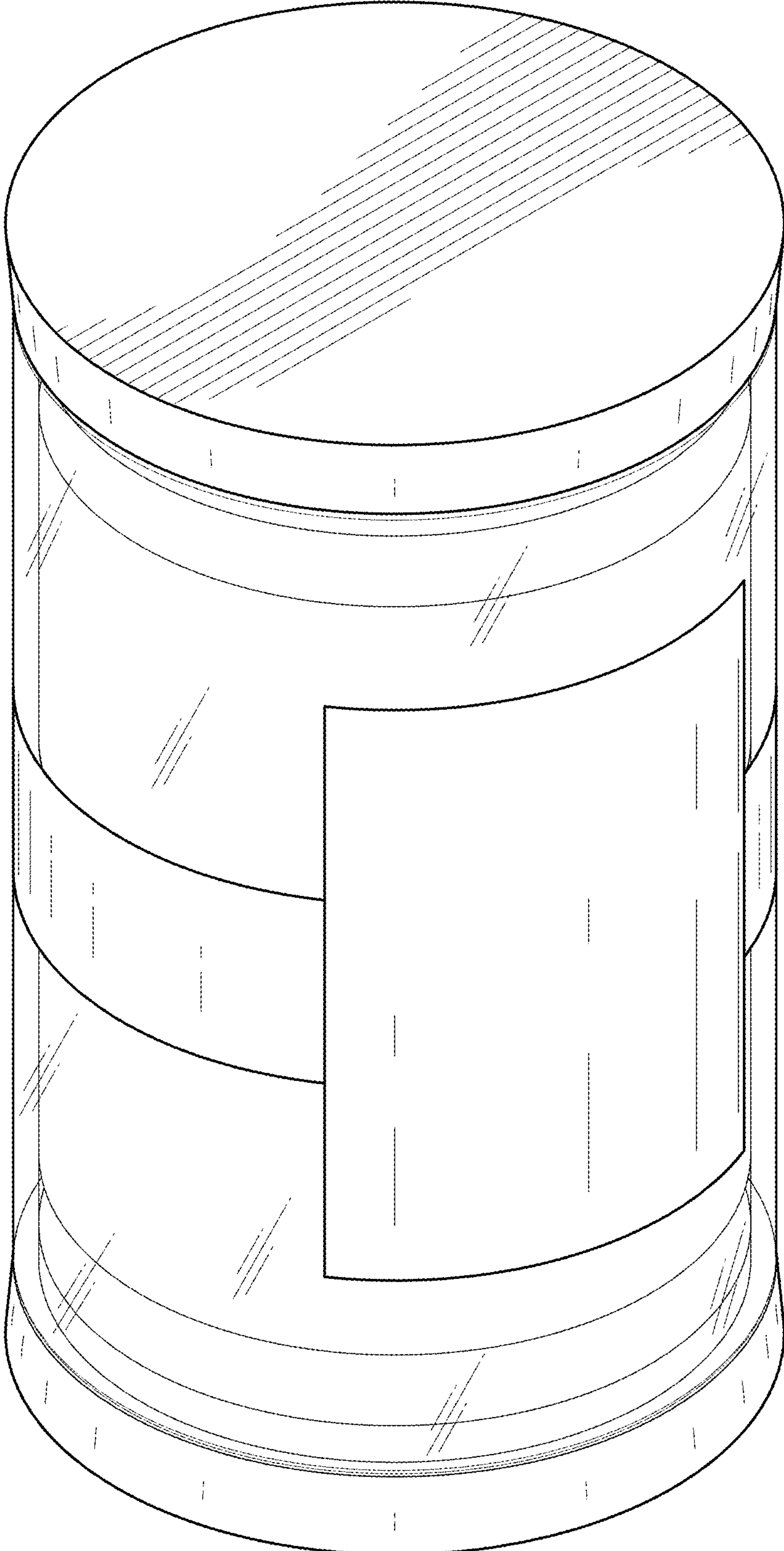


FIG. 1

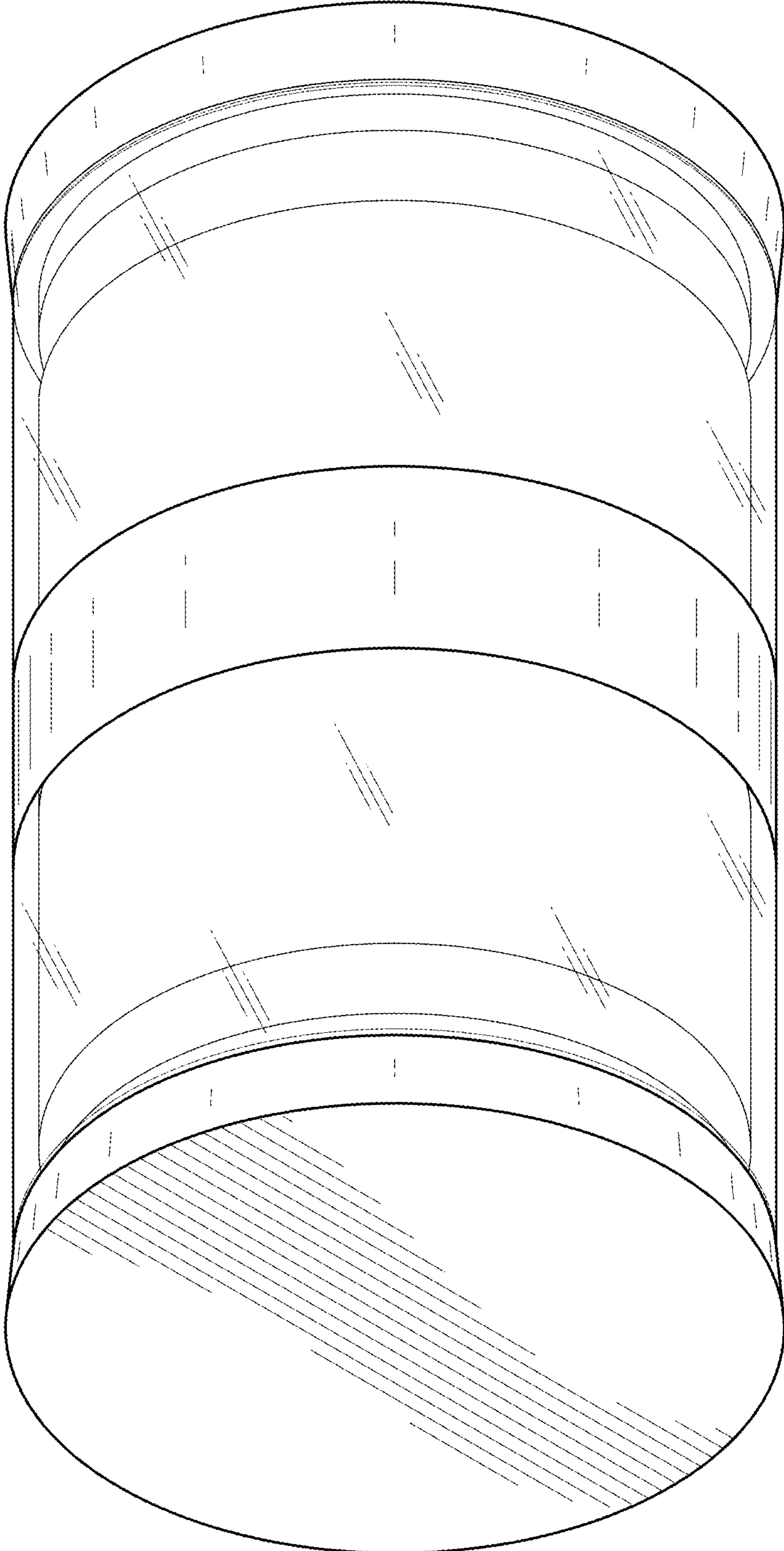


FIG. 2

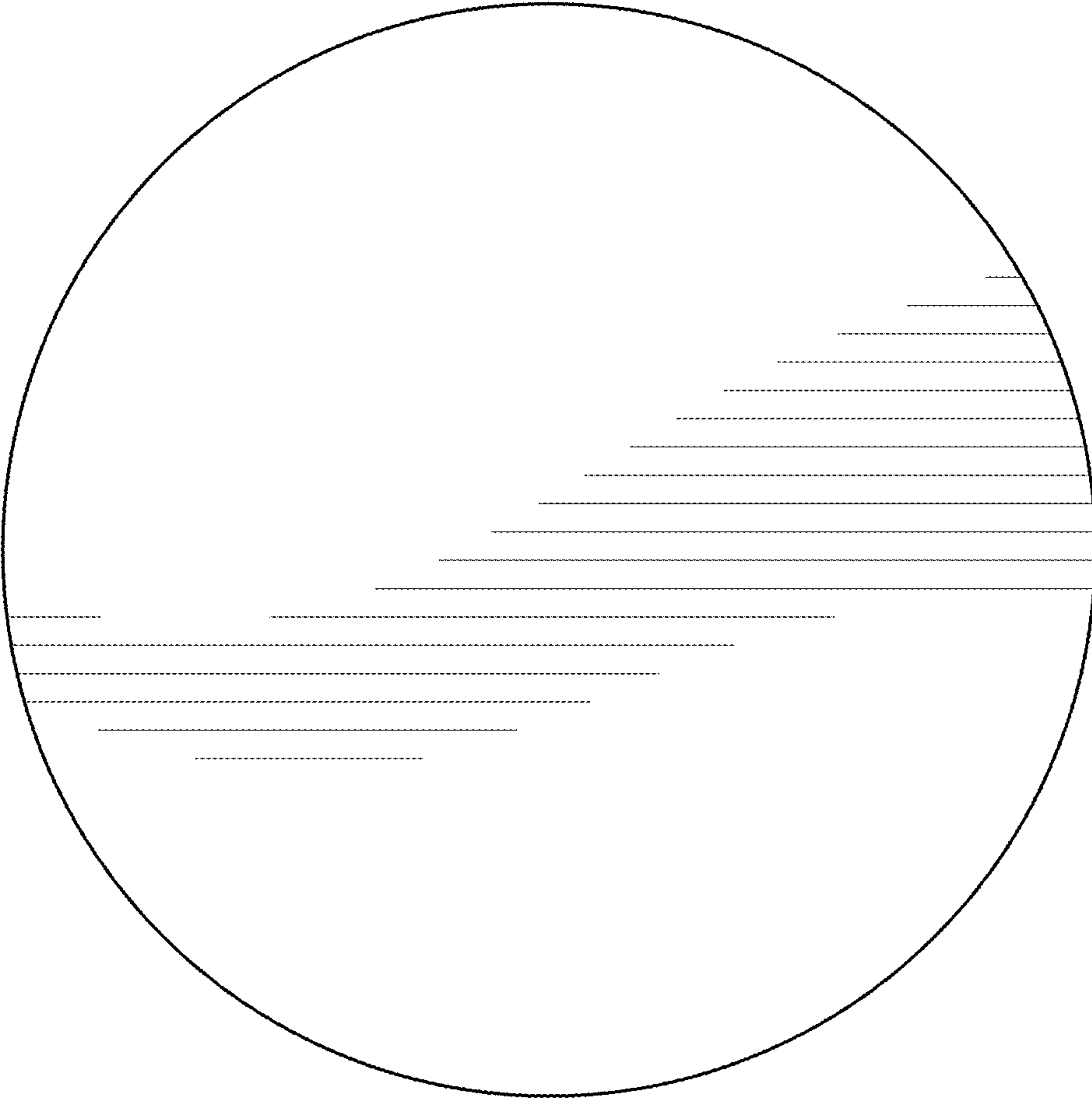


FIG. 3

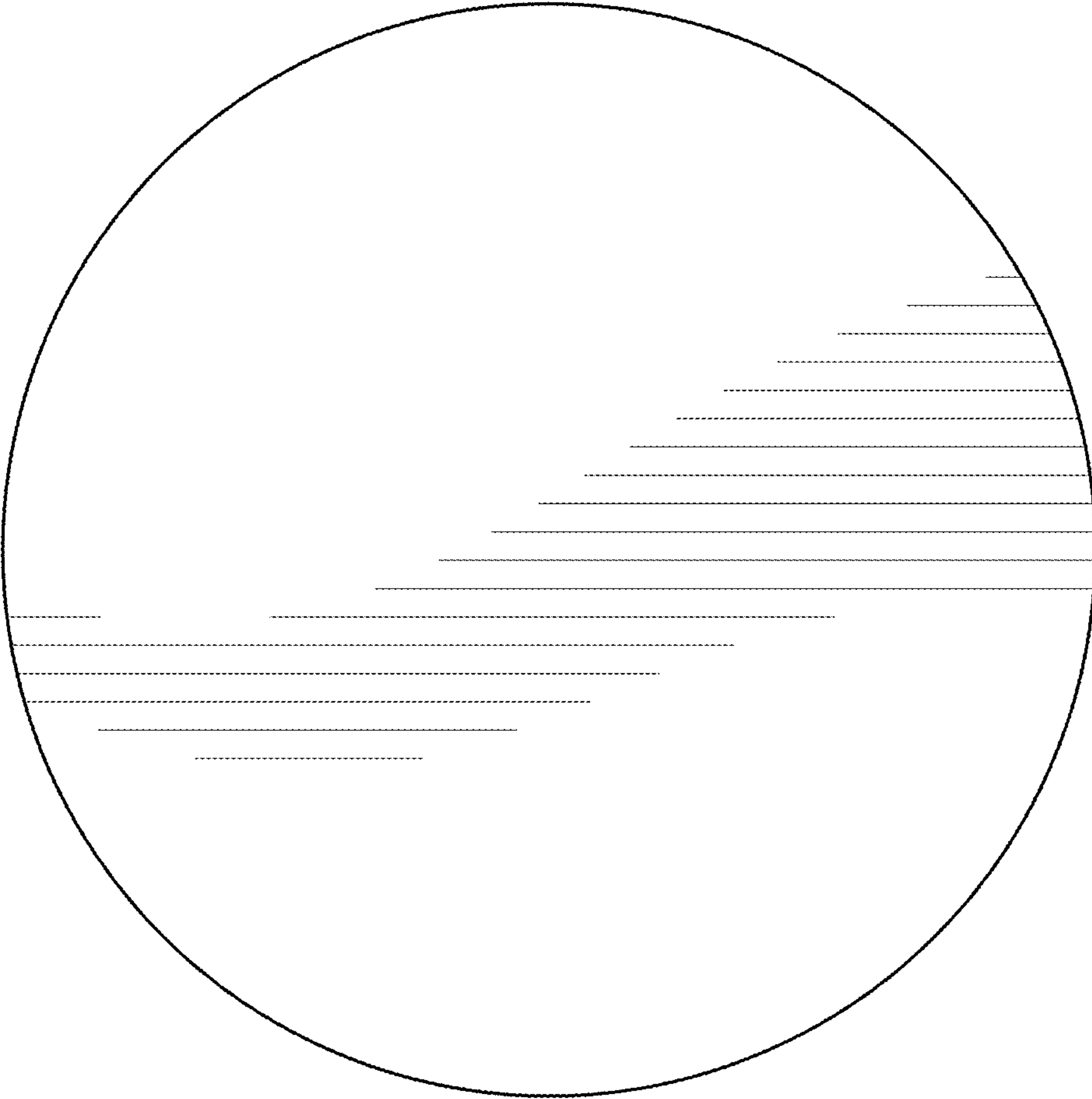


FIG. 4

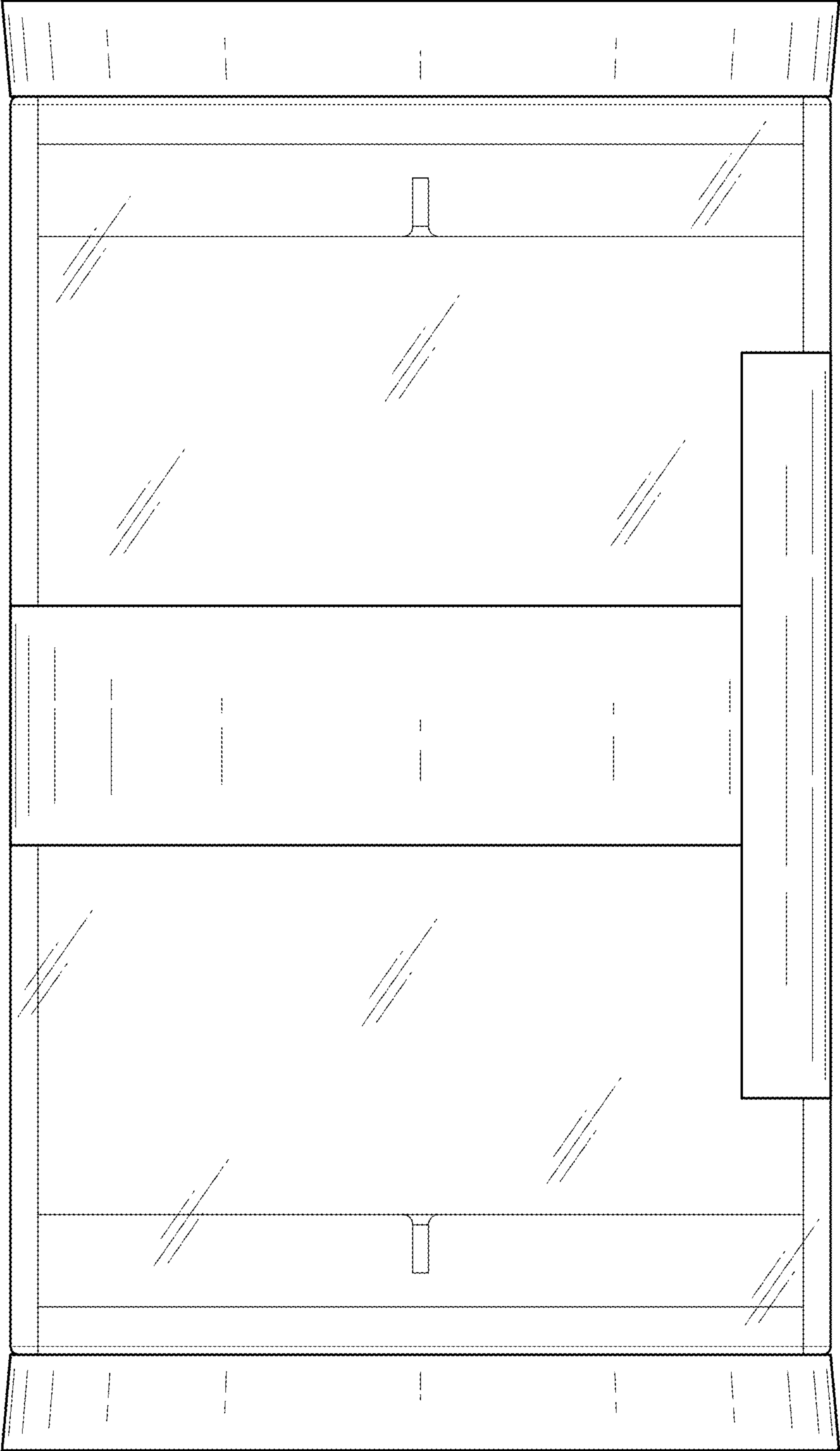


FIG. 5

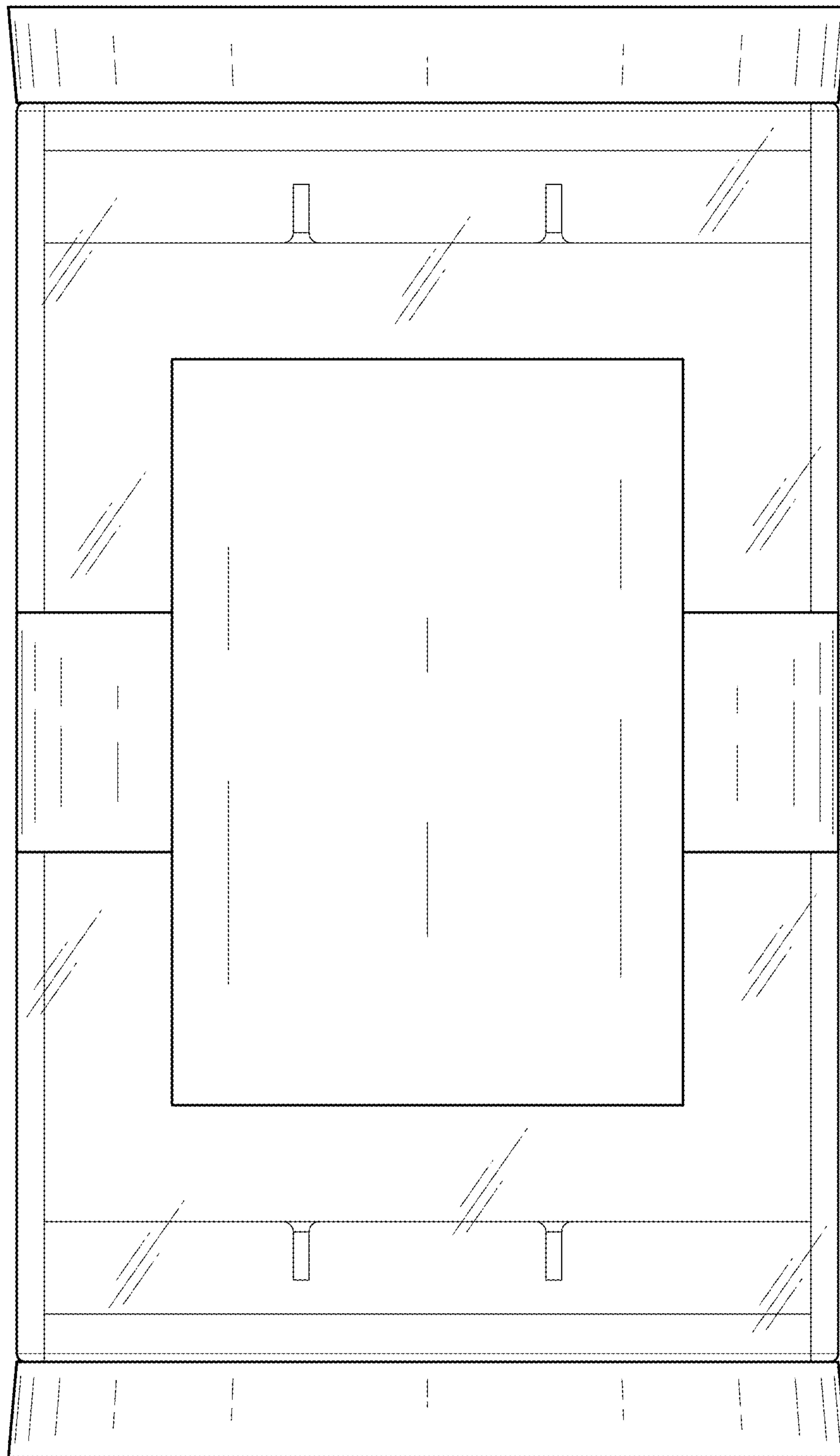


FIG. 6

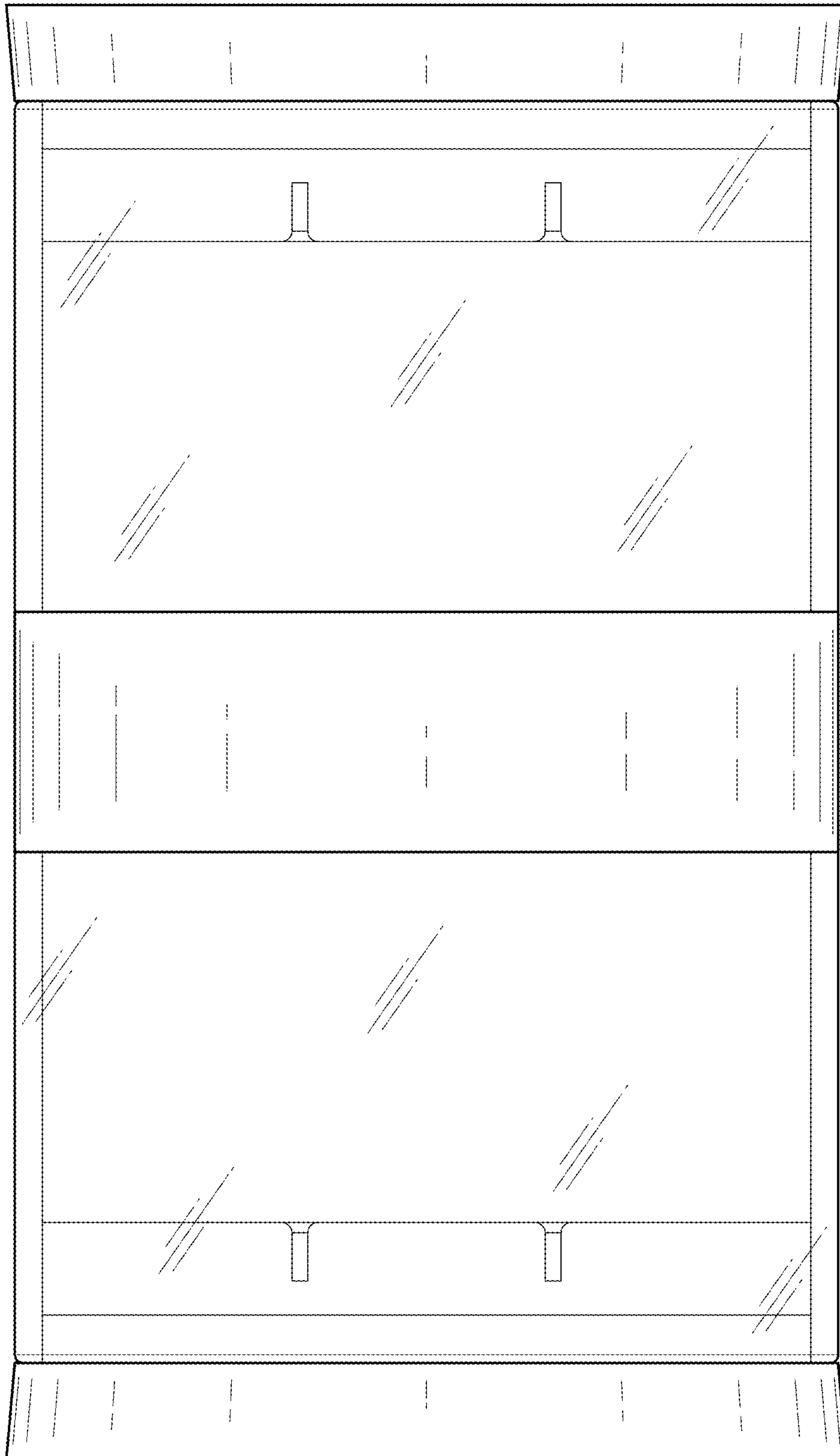


FIG. 7

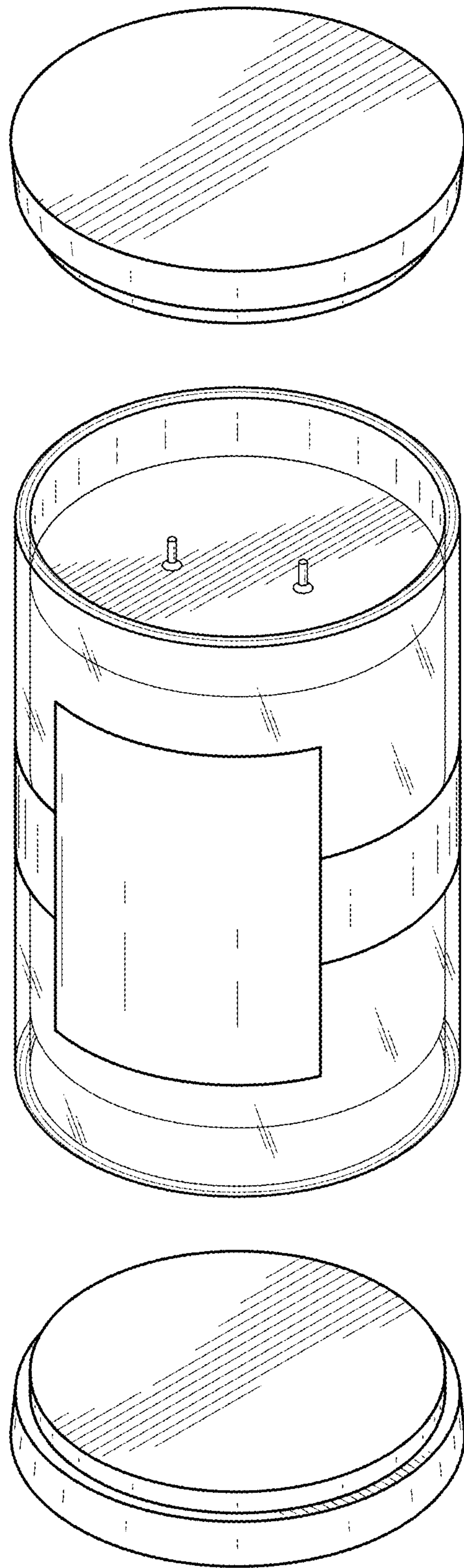


FIG. 8

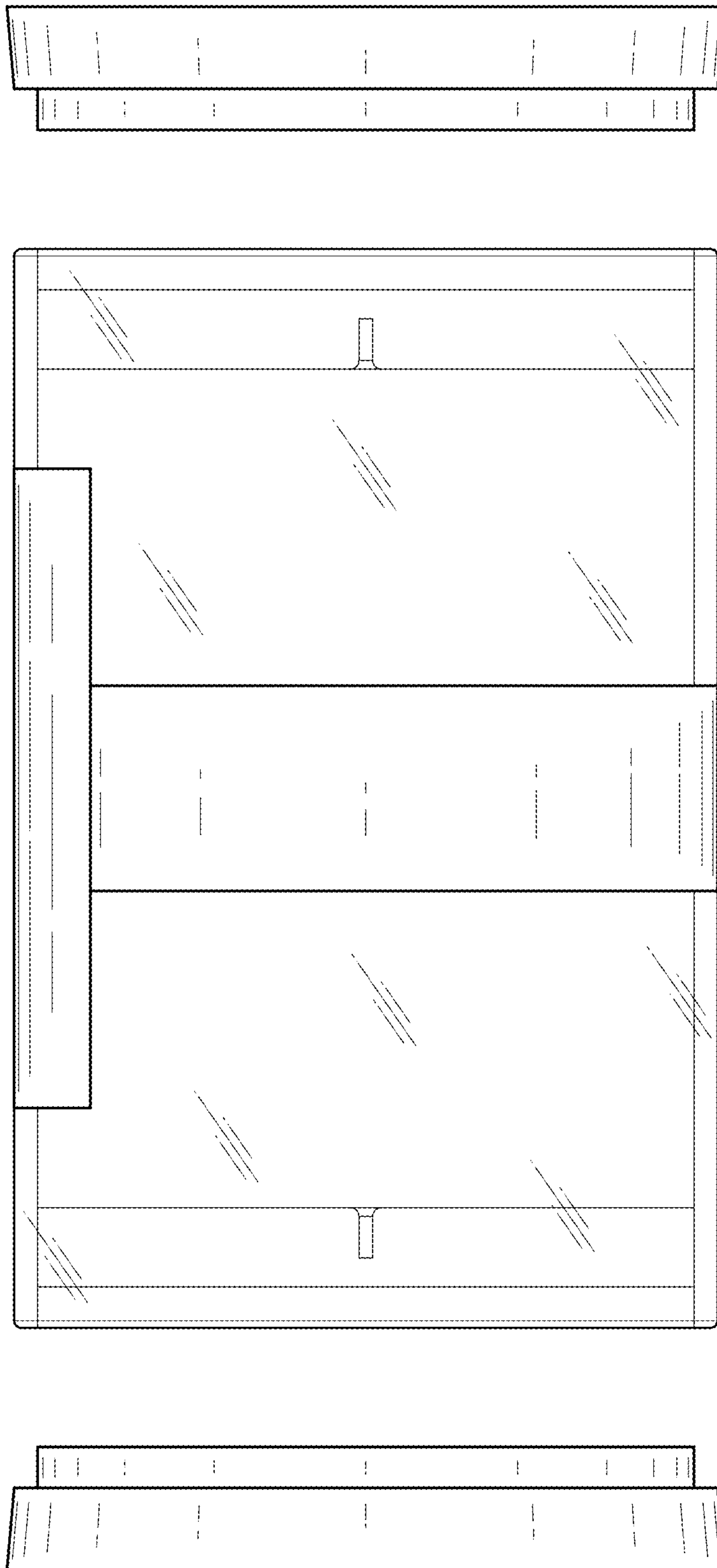


FIG. 9