



US00D918432S

(12) **United States Design Patent**
Chen

(10) **Patent No.:** **US D918,432 S**

(45) **Date of Patent:** **** *May 4, 2021**

(54) **LED LIGHT BULB**

(71) Applicant: **Shenzhen Zehuibao Electronic Technology Co., Ltd.**, Shenzhen (CN)

(72) Inventor: **Zhencai Chen**, Lufeng (CN)

(*) Notice: This patent is subject to a terminal disclaimer.

(**) Term: **15 Years**

(21) Appl. No.: **29/656,599**

(22) Filed: **Jul. 13, 2018**

(51) **LOC (13) Cl.** **26-04**

(52) **U.S. Cl.**
USPC **D26/2**

(58) **Field of Classification Search**
USPC D26/1-4
CPC H01R 5/00; H01R 13/46; H01R 13/514;
H01R 31/048; H01R 31/02; H01J 5/00;
H01J 5/16; H01J 1/02; H01J 15/00; H01J
5/48; H01J 5/50; H01J 19/54; F21V 5/00;
F21K 9/00; F21K 13/00

See application file for complete search history.

(56) **References Cited**

U.S. PATENT DOCUMENTS

D531,741 S	*	11/2006	Takahashi	D26/2
D534,665 S	*	1/2007	Egawa	D26/2
D538,950 S	*	3/2007	Maxik	D26/2
D538,953 S	*	3/2007	Mama	D26/2
D725,802 S	*	3/2015	Kuo	D26/2

* cited by examiner

Primary Examiner — Marcus A Jackson

(74) *Attorney, Agent, or Firm* — ZANIP

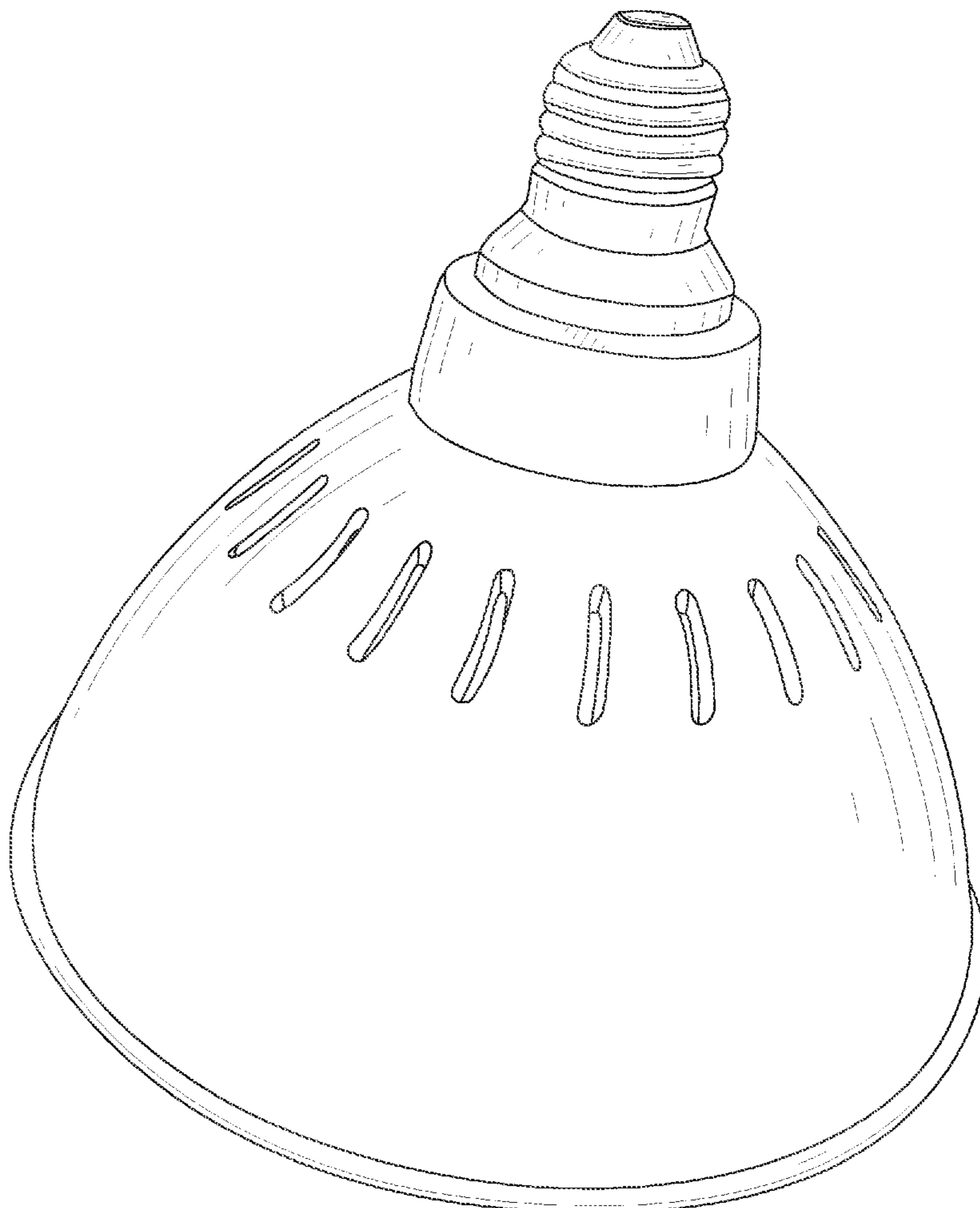
(57) **CLAIM**

The ornamental design for a LED light bulb, as shown and described.

DESCRIPTION

FIG. 1 is a perspective top View of a LED light bulb;
FIG. 2 is a front View thereof;
FIG. 3 is a rear View thereof;
FIG. 4 is a top View thereof;
FIG. 5 is a bottom View thereof;
FIG. 6 is a left side View thereof; and,
FIG. 7 is a right side View thereof.

1 Claim, 7 Drawing Sheets



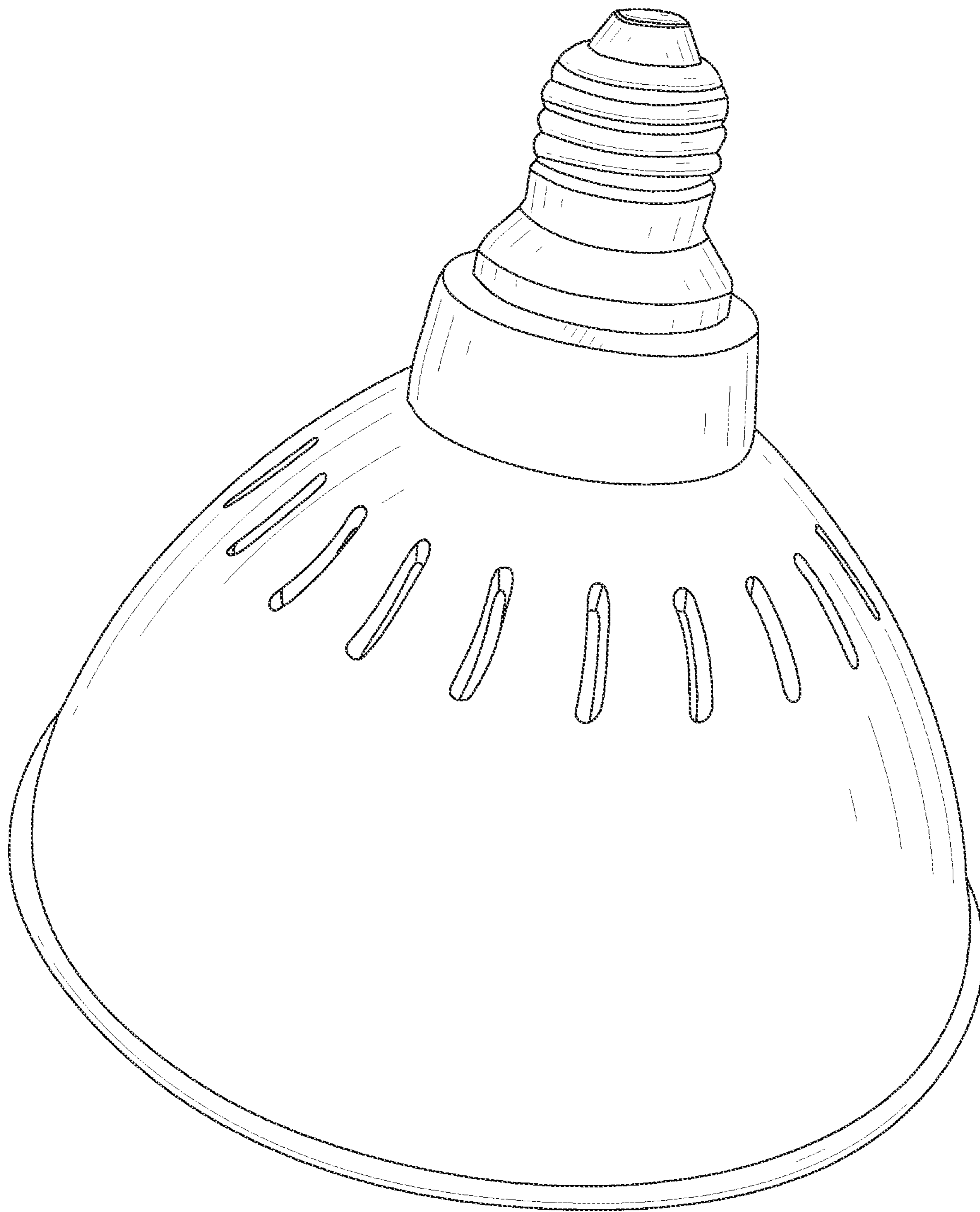


FIG. 1

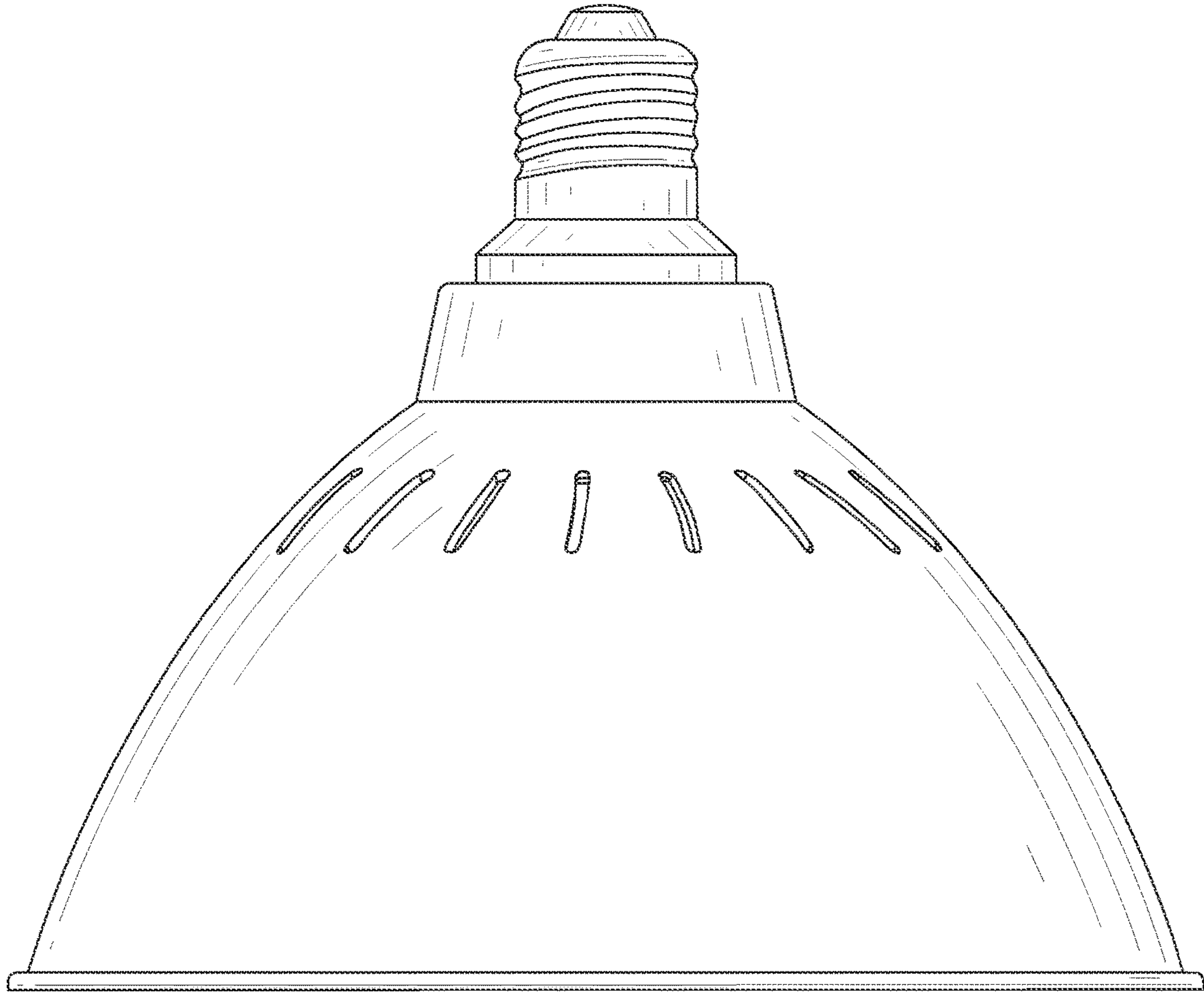


FIG. 2

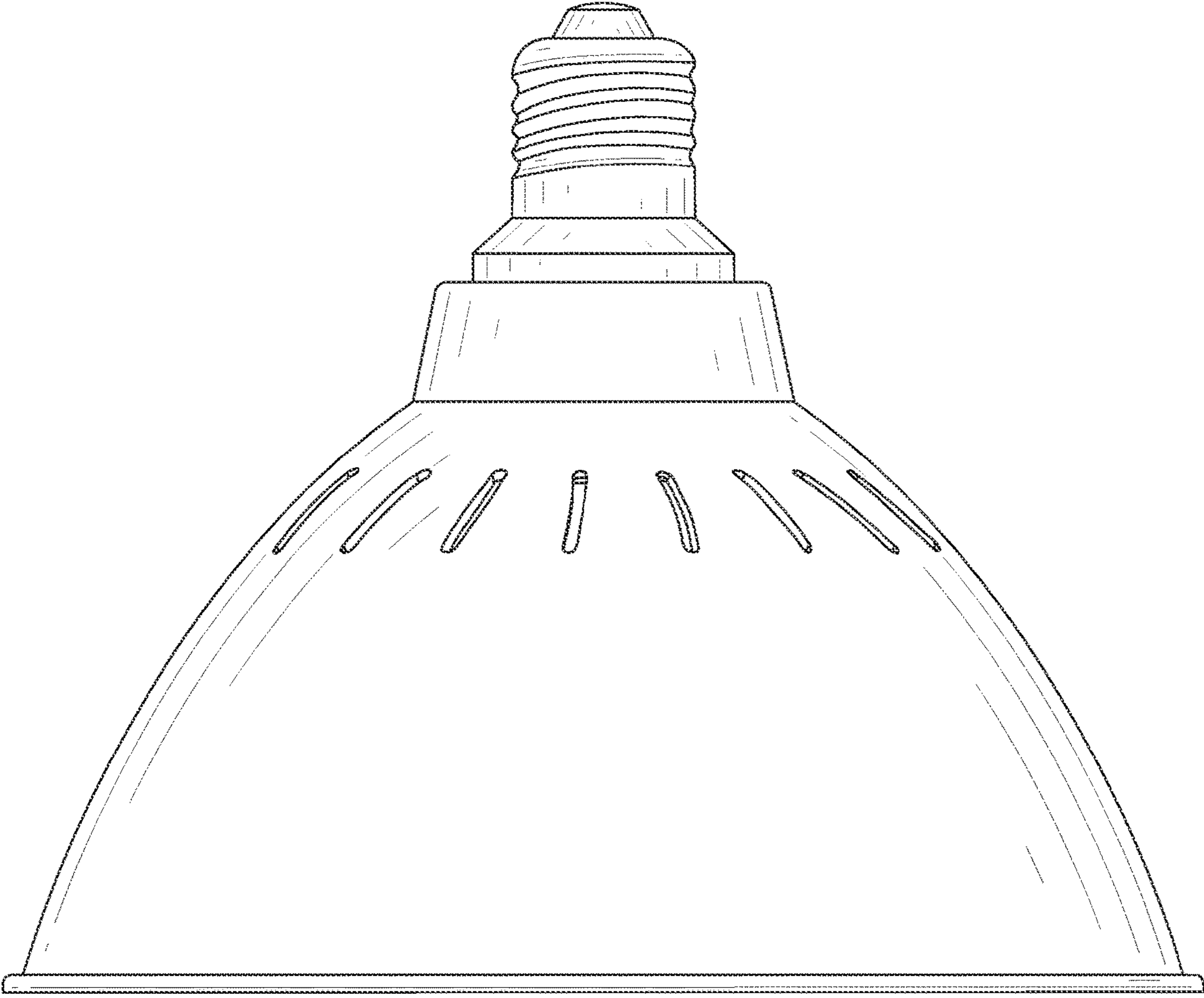


FIG. 3

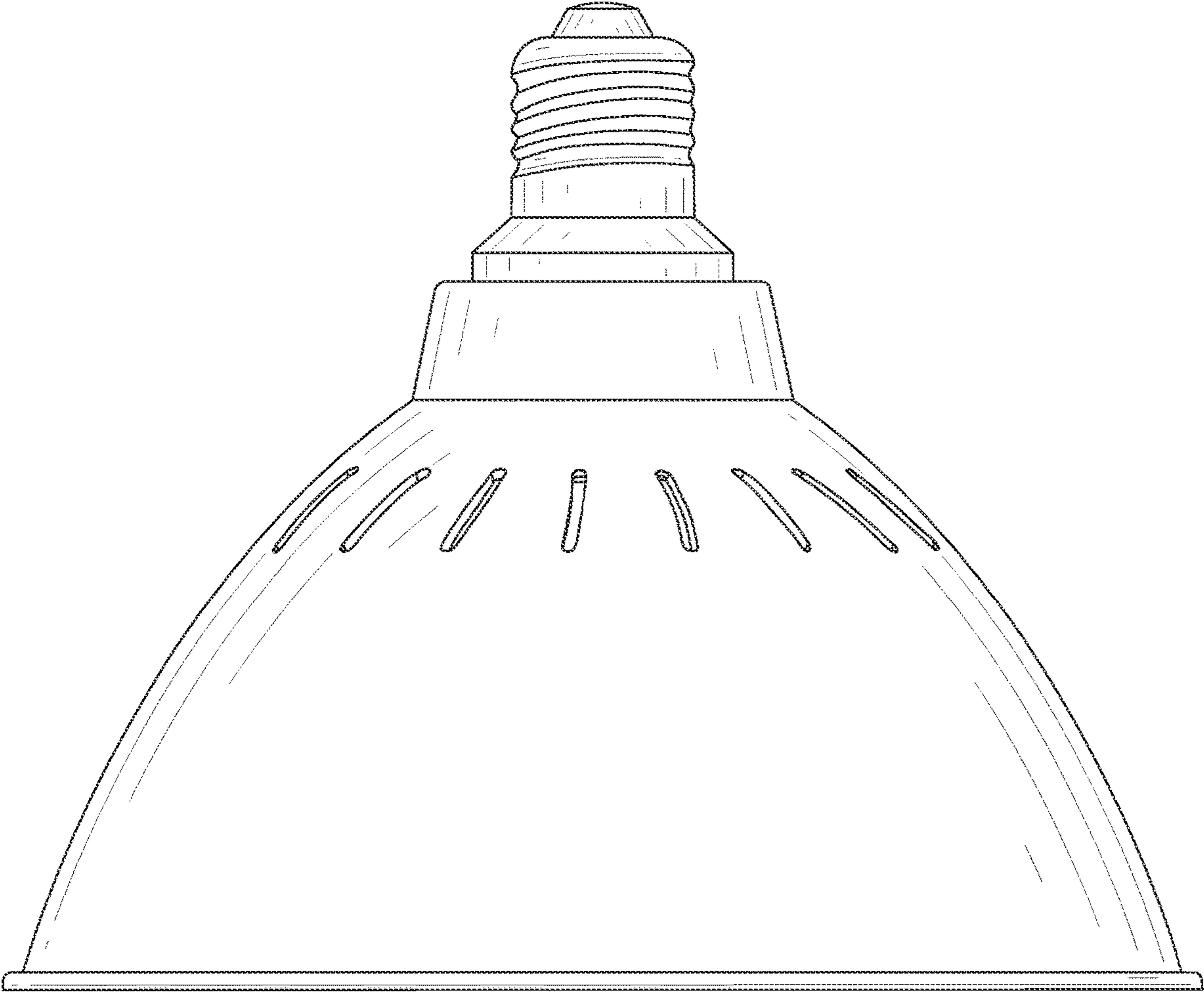


FIG. 4

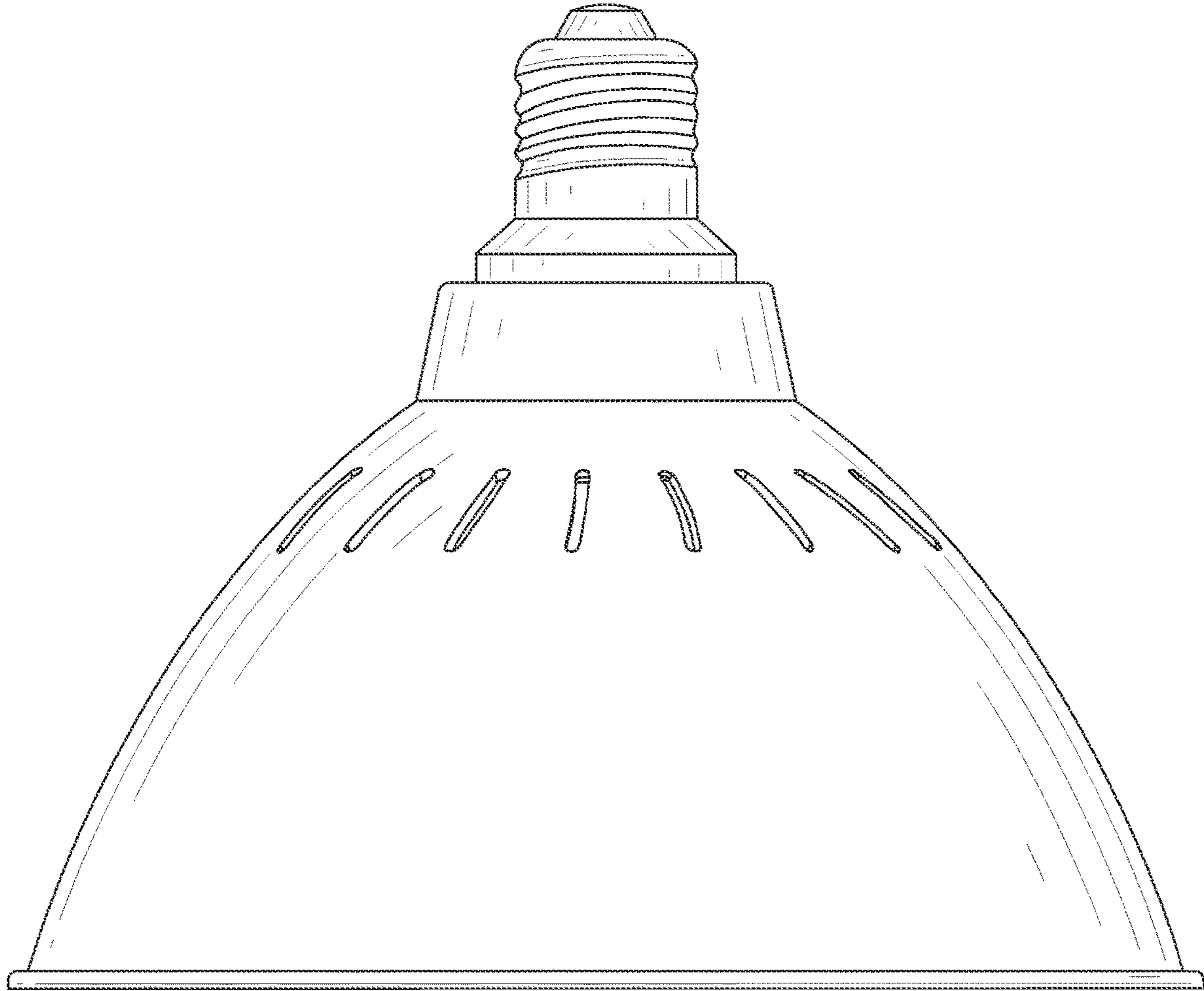


FIG. 5

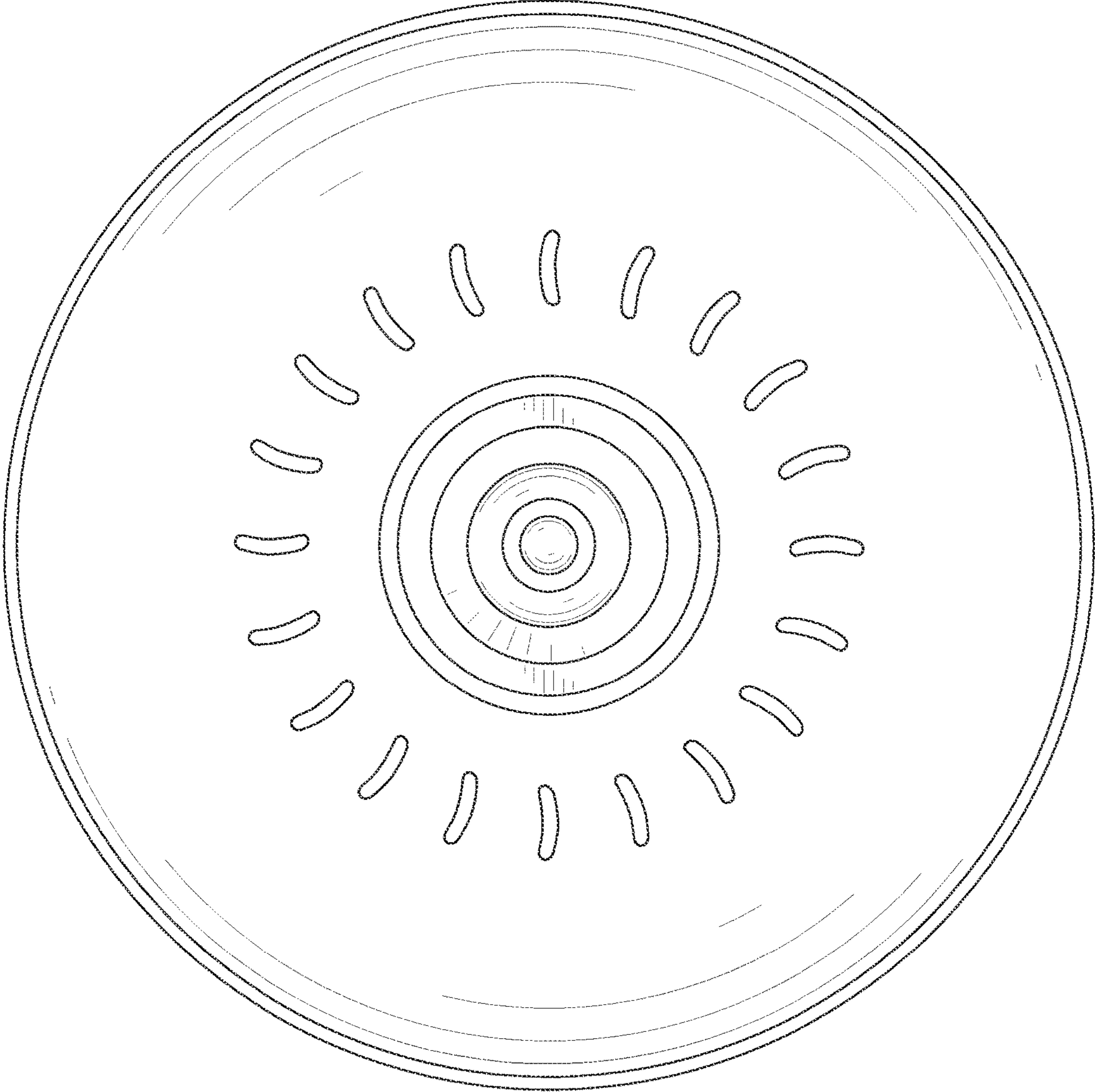


FIG. 6

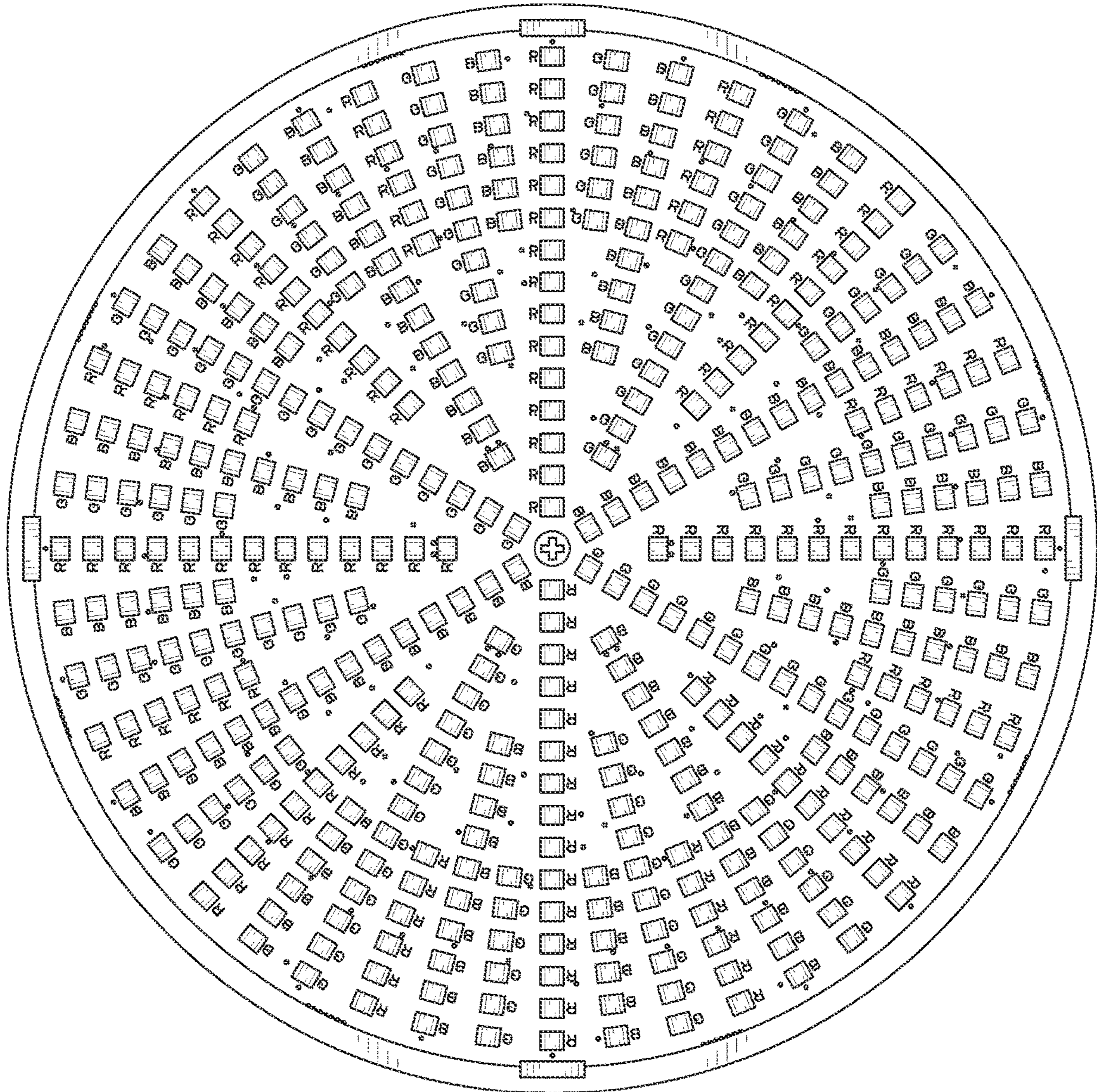


FIG. 7