



US00D918427S

(12) **United States Design Patent**
Bailey

(10) **Patent No.:** **US D918,427 S**

(45) **Date of Patent:** **** May 4, 2021**

(54) **STEP ATTACHMENT**

(71) Applicant: **Peter Moroney**, Smeaton Grange (AU)

(72) Inventor: **Kevin Bailey**, Sydney (AU)

(73) Assignee: **Peter Moroney**, Smeaton Grange (AU)

(**) Term: **15 Years**

(21) Appl. No.: **29/718,111**

(22) Filed: **Dec. 20, 2019**

(30) **Foreign Application Priority Data**

Jun. 22, 2019 (AU) 201913517

(51) **LOC (13) Cl.** **25-04**

(52) **U.S. Cl.**
USPC **D25/69**

(58) **Field of Classification Search**
USPC D25/62-65, 68, 69; 182/120, 93, 95,
182/107; 248/238, 274.1
CPC E06C 7/00; E06C 7/48; E06C 7/14; E06C
1/393; E06C 7/16; E06C 1/3835; B25H
3/06; B62B 1/12
See application file for complete search history.

(56) **References Cited**

U.S. PATENT DOCUMENTS

1,658,753 A * 2/1928 Wirth E06C 7/482
182/120
D353,469 S * 12/1994 Skaggs D25/62

D390,669 S * 2/1998 Armstrong D25/69
6,158,551 A * 12/2000 Gray E06C 7/14
182/107
9,598,903 B2 * 3/2017 Miller E06C 7/14
D791,972 S * 7/2017 Goodnow D25/68
D906,547 S * 12/2020 Loyer D25/68

* cited by examiner

Primary Examiner — Gino Colan

(74) *Attorney, Agent, or Firm* — Innovation Capital Law
Group, LLP; Vic Lin

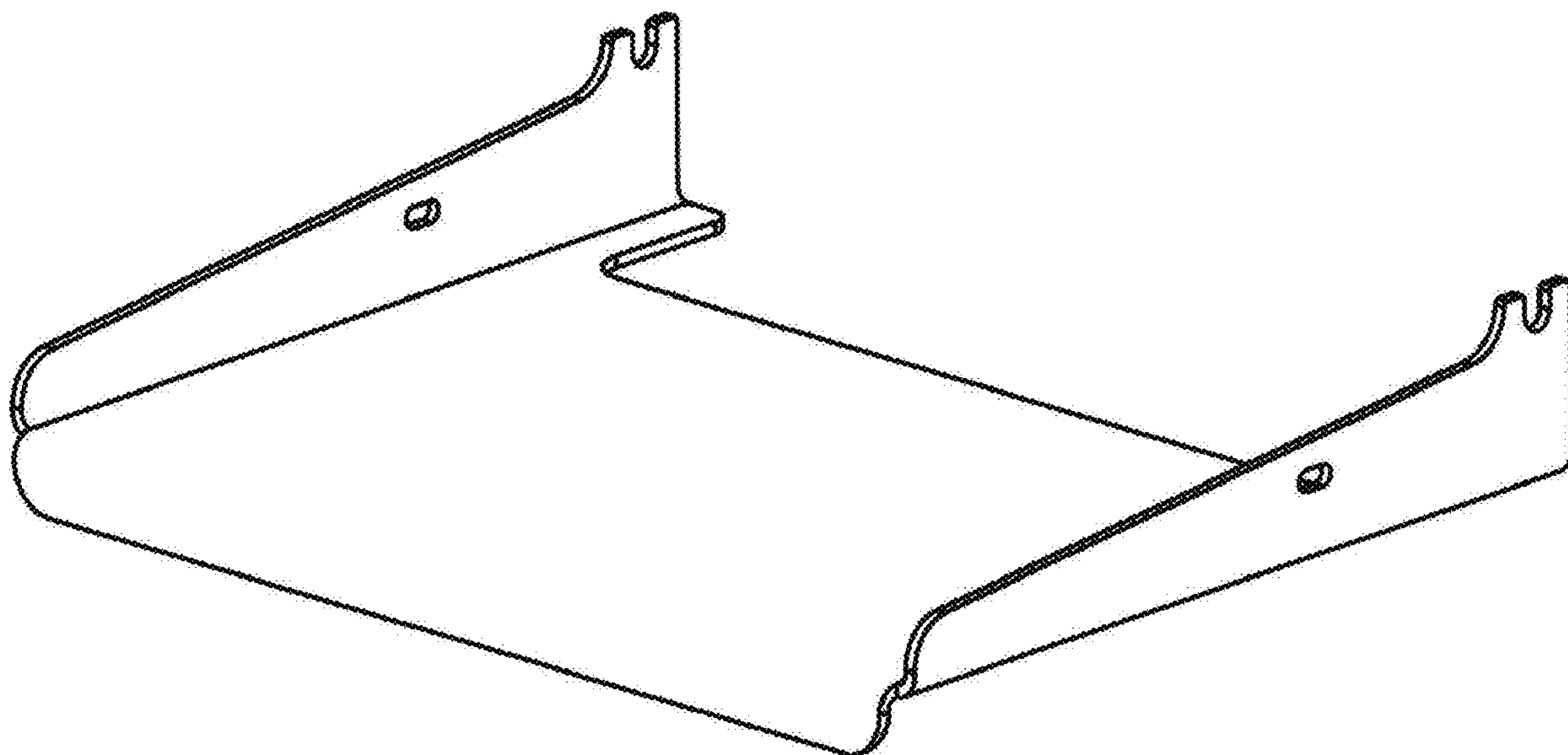
(57) **CLAIM**

The ornamental design for a step attachment, as shown and described.

DESCRIPTION

FIG. 1 is a front perspective view of a step attachment, showing my new design;
FIG. 2 is a top plan view thereof;
FIG. 3 is a rear elevation view thereof;
FIG. 4 is a right side elevation view thereof; the left side elevation view is a mirror image of the right side;
FIG. 5 is a front elevation view thereof; and,
FIG. 6 is a bottom plan view thereof.

1 Claim, 6 Drawing Sheets



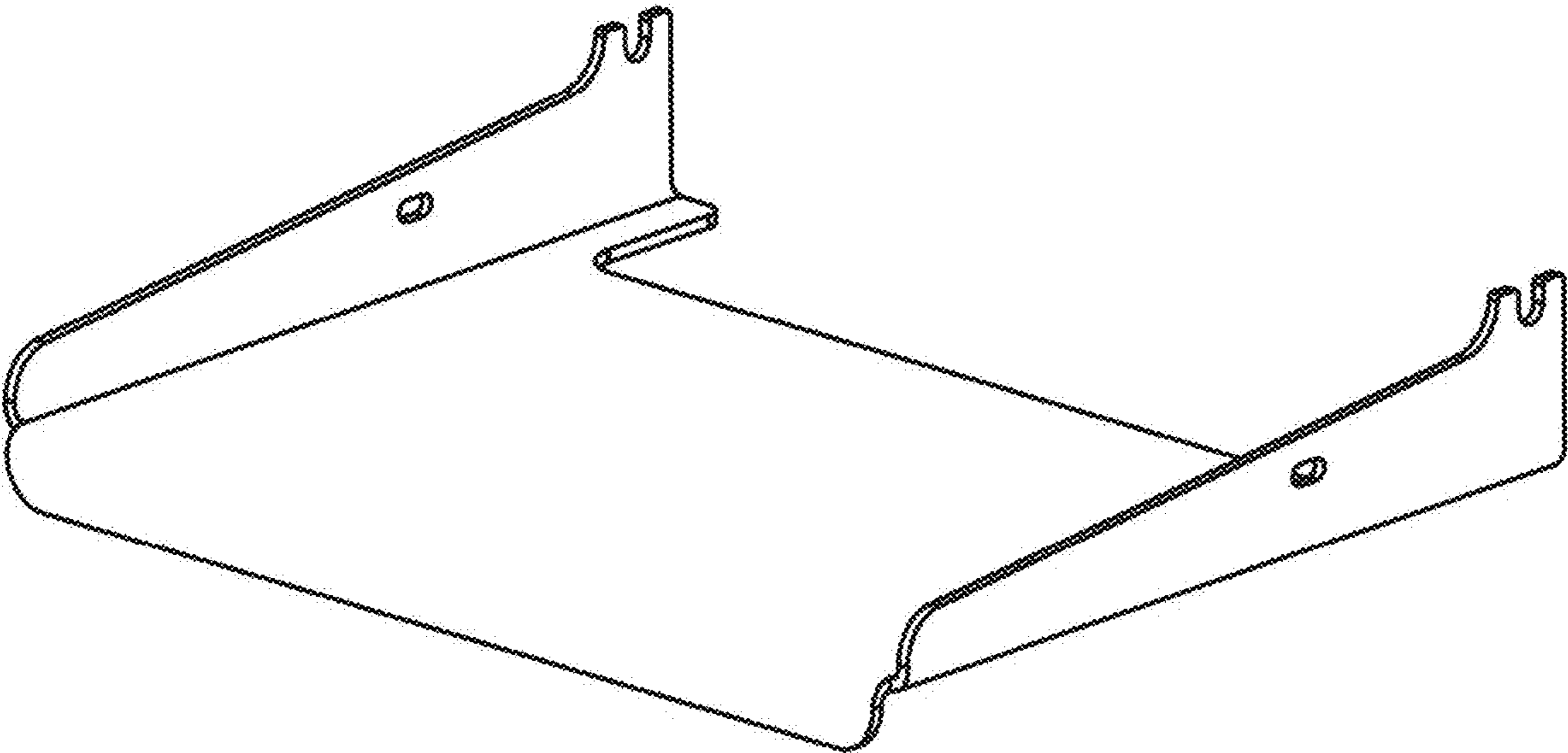


FIG. 1

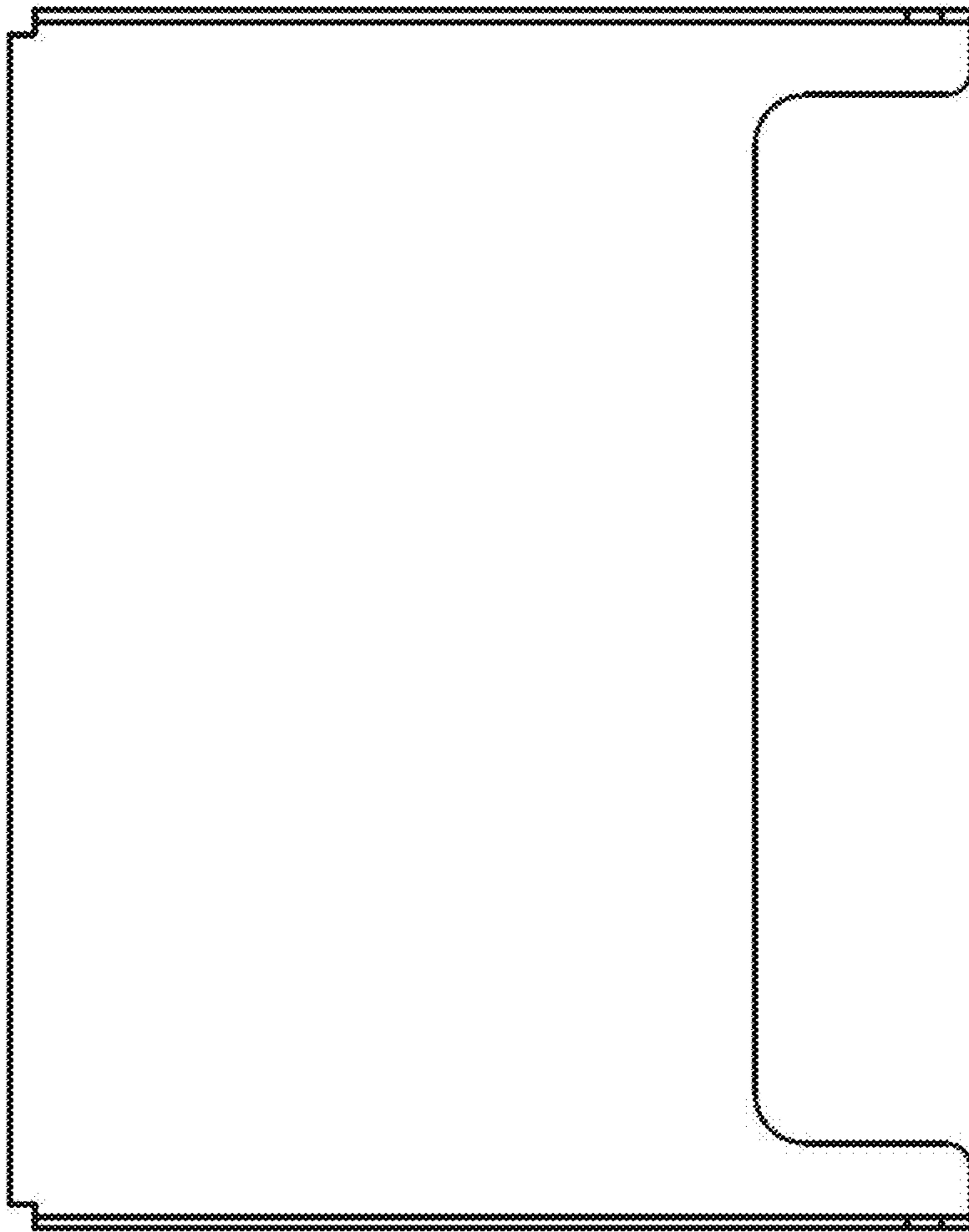


FIG. 2

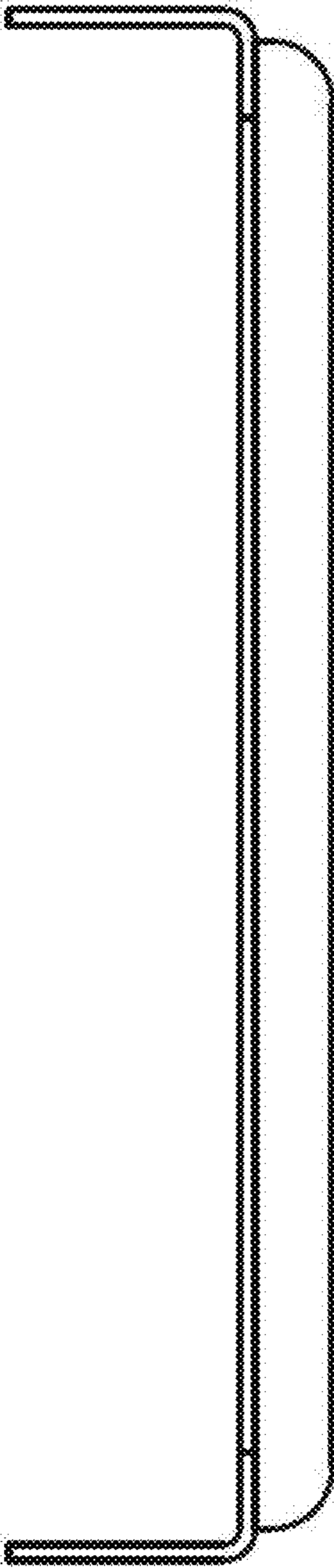


FIG. 3

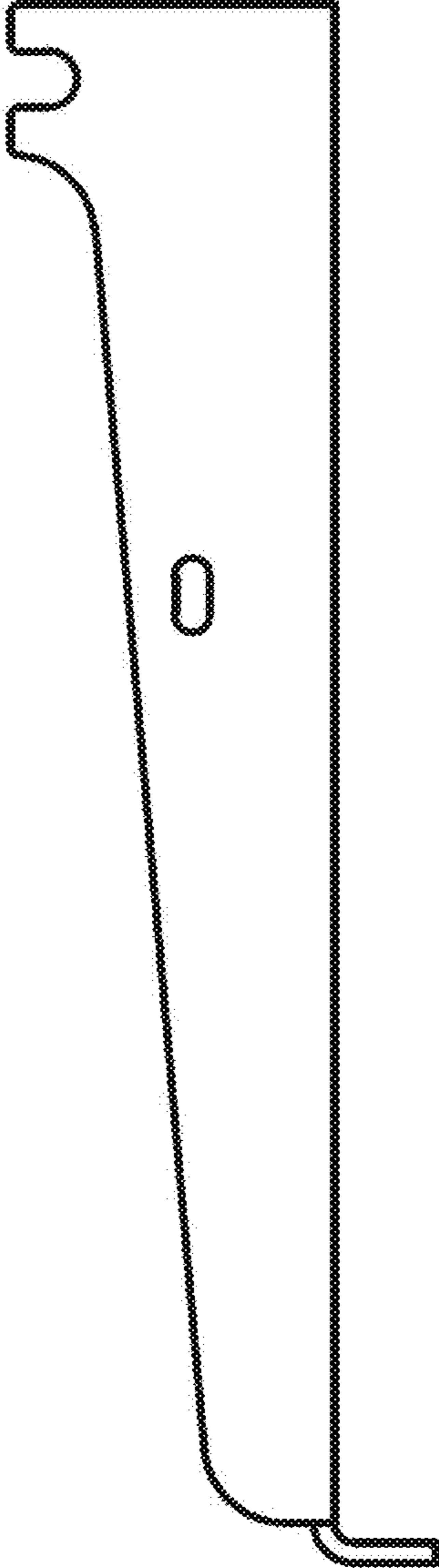


FIG. 4

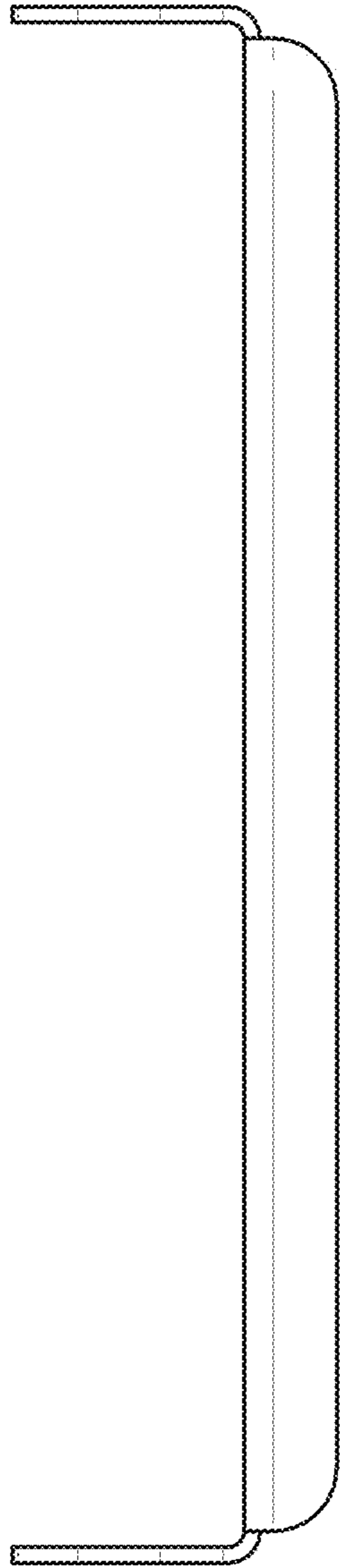


FIG. 5

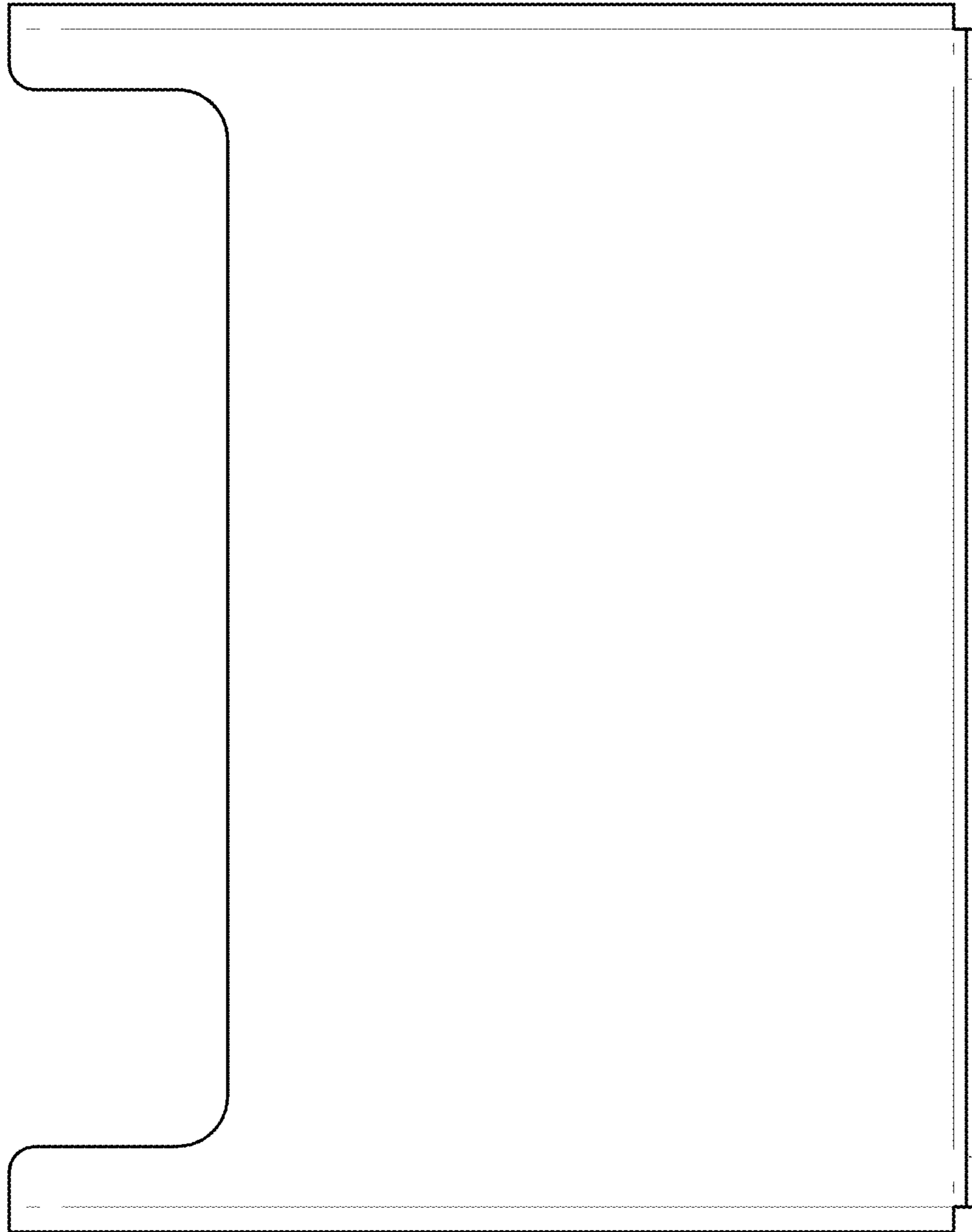


FIG. 6