



US00D918426S

(12) **United States Design Patent** (10) **Patent No.:** **US D918,426 S**
Thompson (45) **Date of Patent:** **** May 4, 2021**

(54) **LADDER PAD**

(71) Applicant: **Specialty Solutions LLC**, Honea Path, SC (US)

(72) Inventor: **William Lee Thompson**, Honea Path, SC (US)

(73) Assignee: **Specialty Solutions LLC**, Honea Path, SC (US)

(**) Term: **15 Years**

(21) Appl. No.: **29/711,666**

(22) Filed: **Nov. 1, 2019**

(51) **LOC (13) Cl.** **25-04**

(52) **U.S. Cl.**
USPC **D25/68**

(58) **Field of Classification Search**
USPC D25/62–65, 68, 69, 119–125
CPC E06C 7/00; E06C 7/48
See application file for complete search history.

(56) **References Cited**

U.S. PATENT DOCUMENTS

D372,989 S *	8/1996	Gile	D25/68
D505,211 S *	5/2005	Stanchfield	D25/119
6,994,185 B1 *	2/2006	Hertel	E06C 7/00
				182/129
D635,166 S *	3/2011	Malmberg	D15/147
D721,946 S *	2/2015	Wendt	D8/382
D721,947 S *	2/2015	Wendt	D8/382

OTHER PUBLICATIONS

AC78 QuickClick Stabilizer, WernerCo <https://www.wernerco.com/us/products/ladders/ladder-accessories/AC78Series/AC78>.

AC19-2 Extension Ladder Covers, WernerCo <https://www.wernerco.com/us/products/ladders/ladder-accessories/AC19Series/AC19-2>.
89-1 Rail Wear Sleeve, WernerCo <https://www.wernerco.com/us/products/ladders/ladder-accessories/89Series/89-1>.

* cited by examiner

Primary Examiner — Gino Colan

(74) *Attorney, Agent, or Firm* — Dority & Manning, P, A.

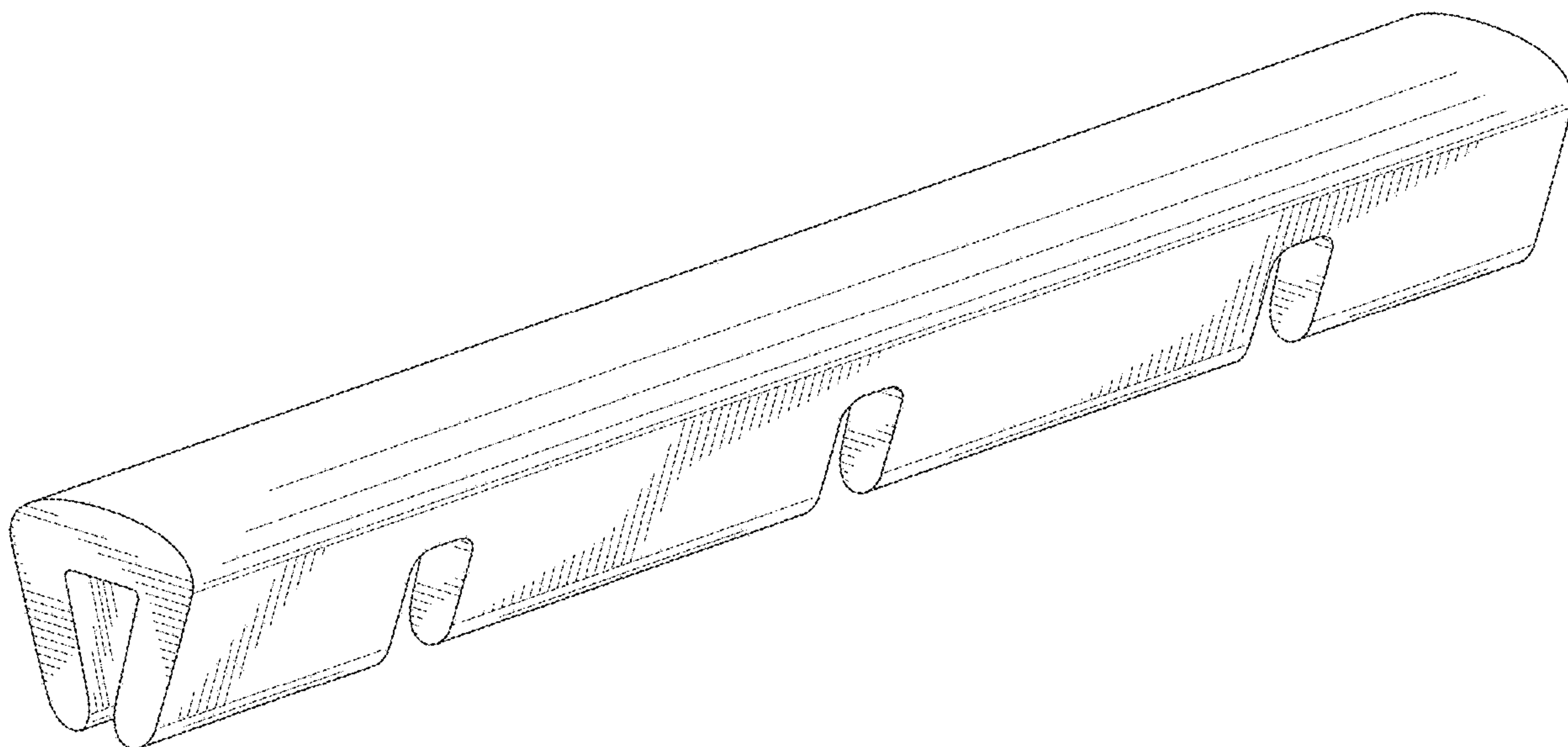
(57) **CLAIM**

The ornamental design for a ladder pad, as shown and described.

DESCRIPTION

FIG. 1 is a perspective view of a ladder pad according to the present design;
FIG. 2 is a first side elevation view of the ladder pad of FIG. 1;
FIG. 3 is a second side elevation view of the ladder pad of FIG. 1;
FIG. 4 is a first end elevation view of the ladder pad of FIG. 1;
FIG. 5 is a second end elevation view of the ladder pad of FIG. 1;
FIG. 6 is a top plan view of the ladder pad of FIG. 1;
FIG. 7 is a bottom plan view of the ladder pad of FIG. 1; and,
FIG. 8 is a perspective view of the ladder pad of FIG. 1 positioned on a ladder.
The broken lines depicted in FIG. 8 represent unclaimed environmental subject matter and form no part of the claimed design.

1 Claim, 5 Drawing Sheets



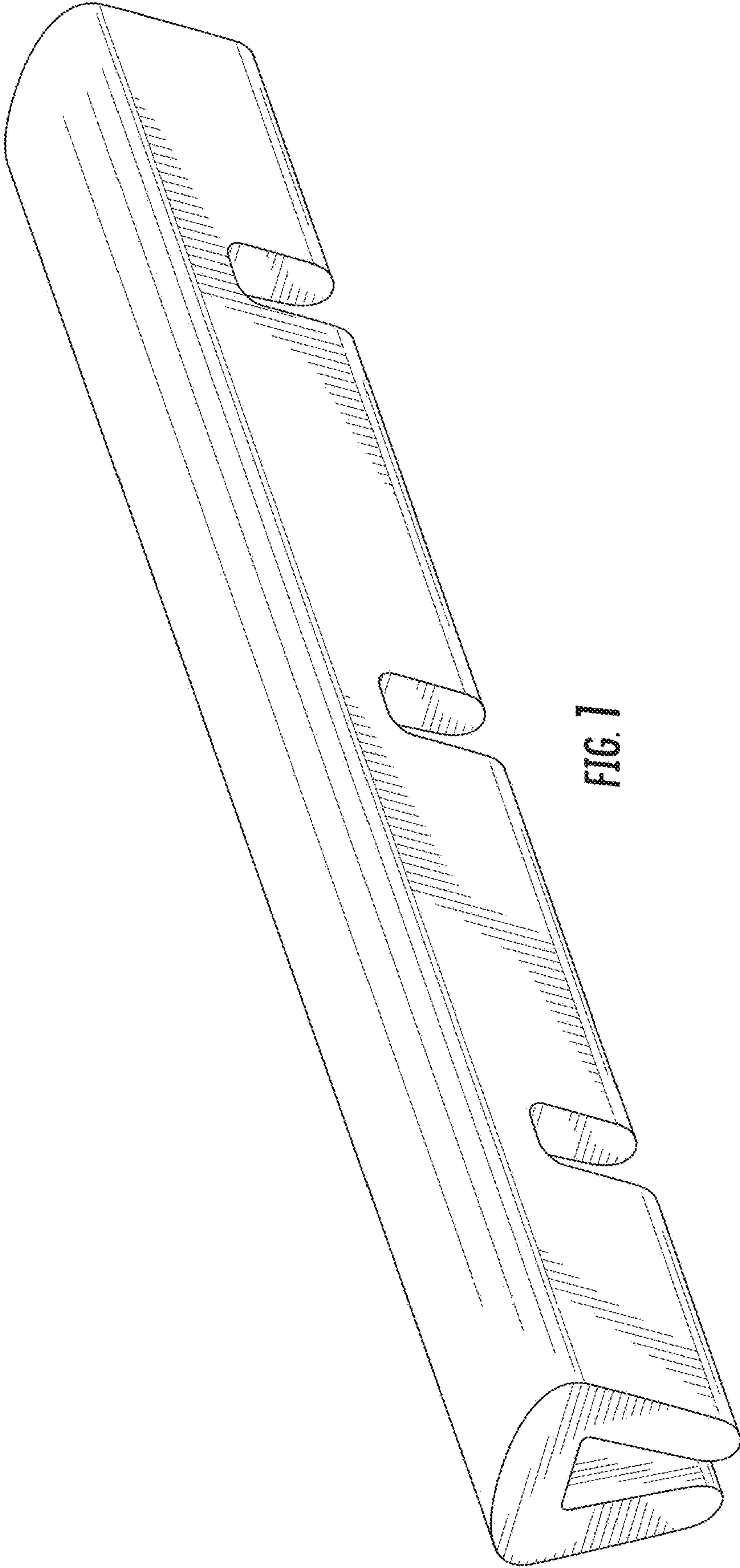


FIG. 1

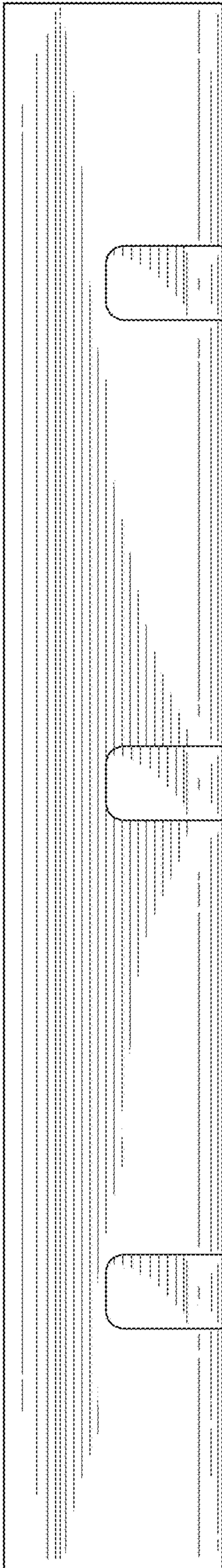


FIG. 2

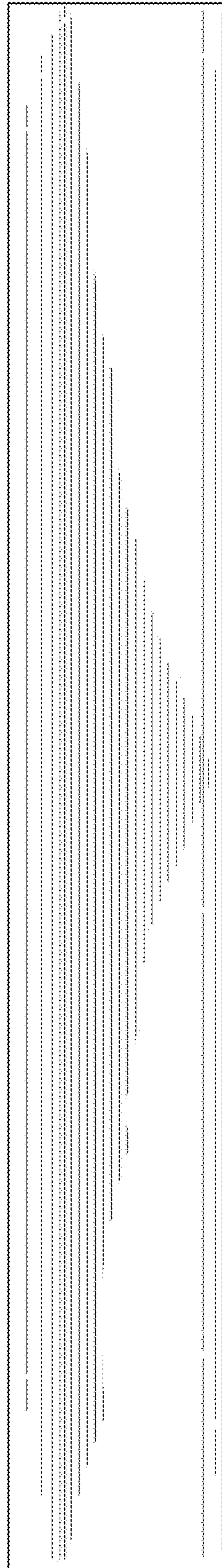


FIG. 3

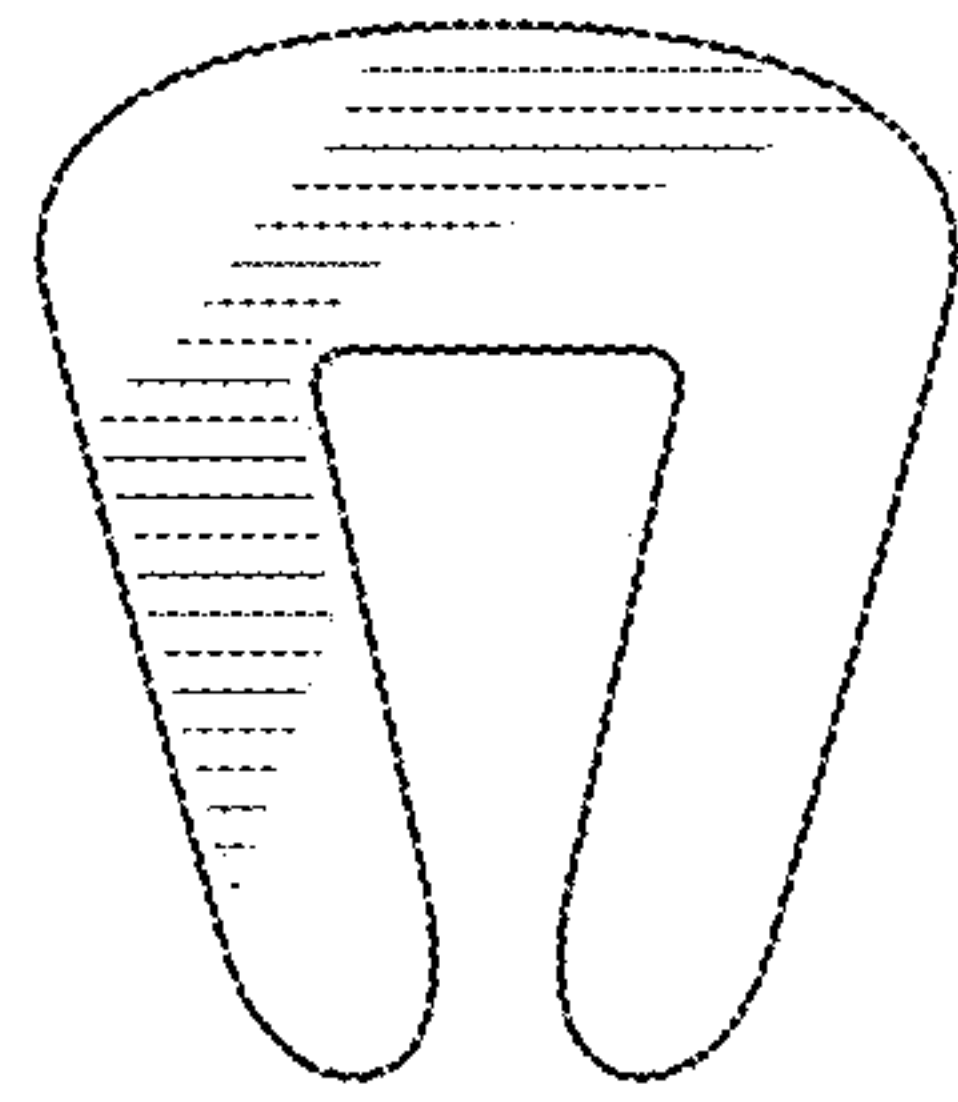


FIG. 4

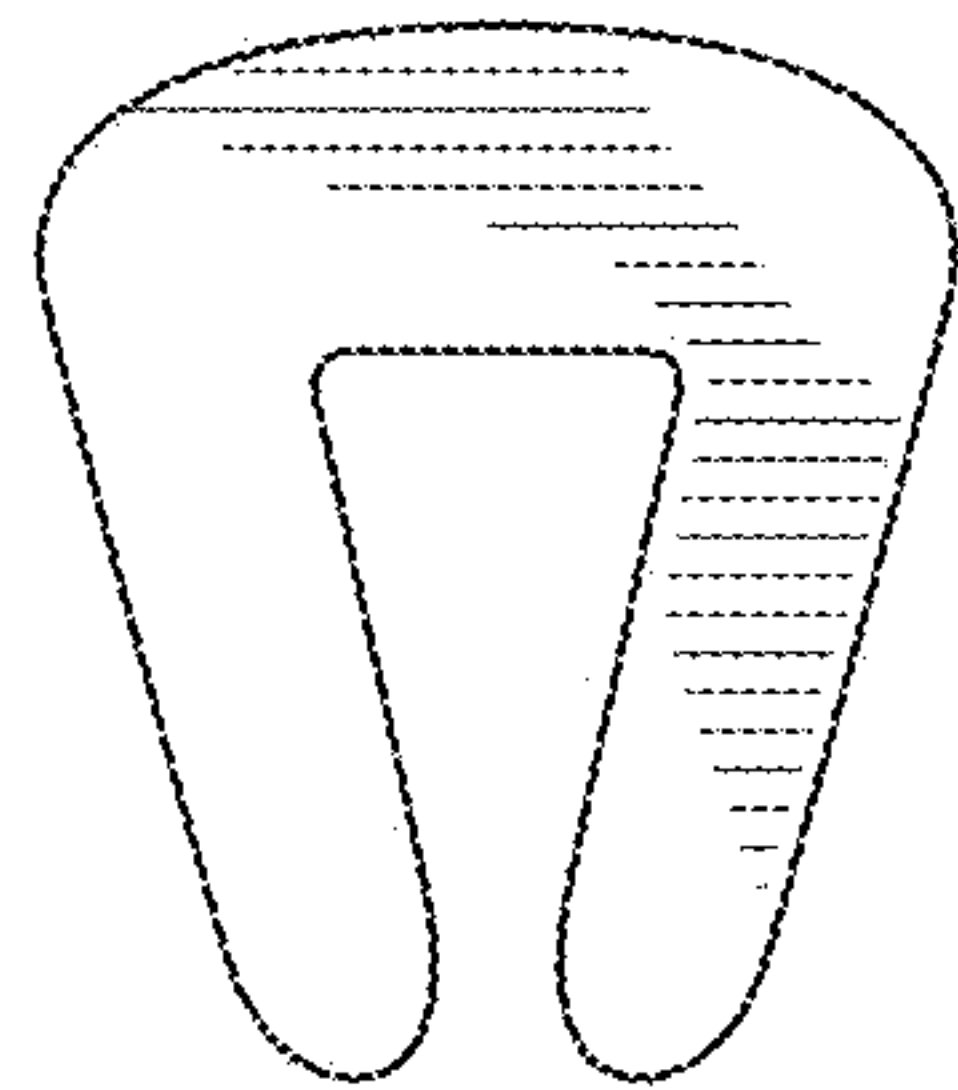


FIG. 5

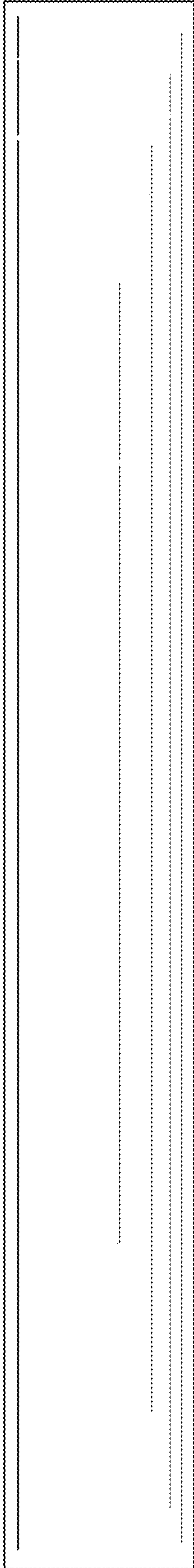


FIG. 6

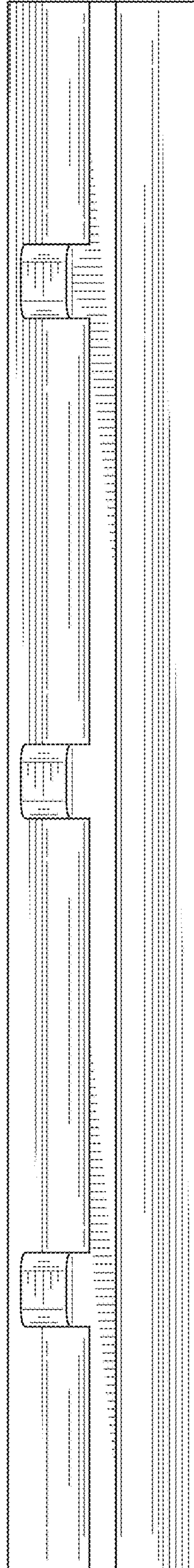


FIG. 7

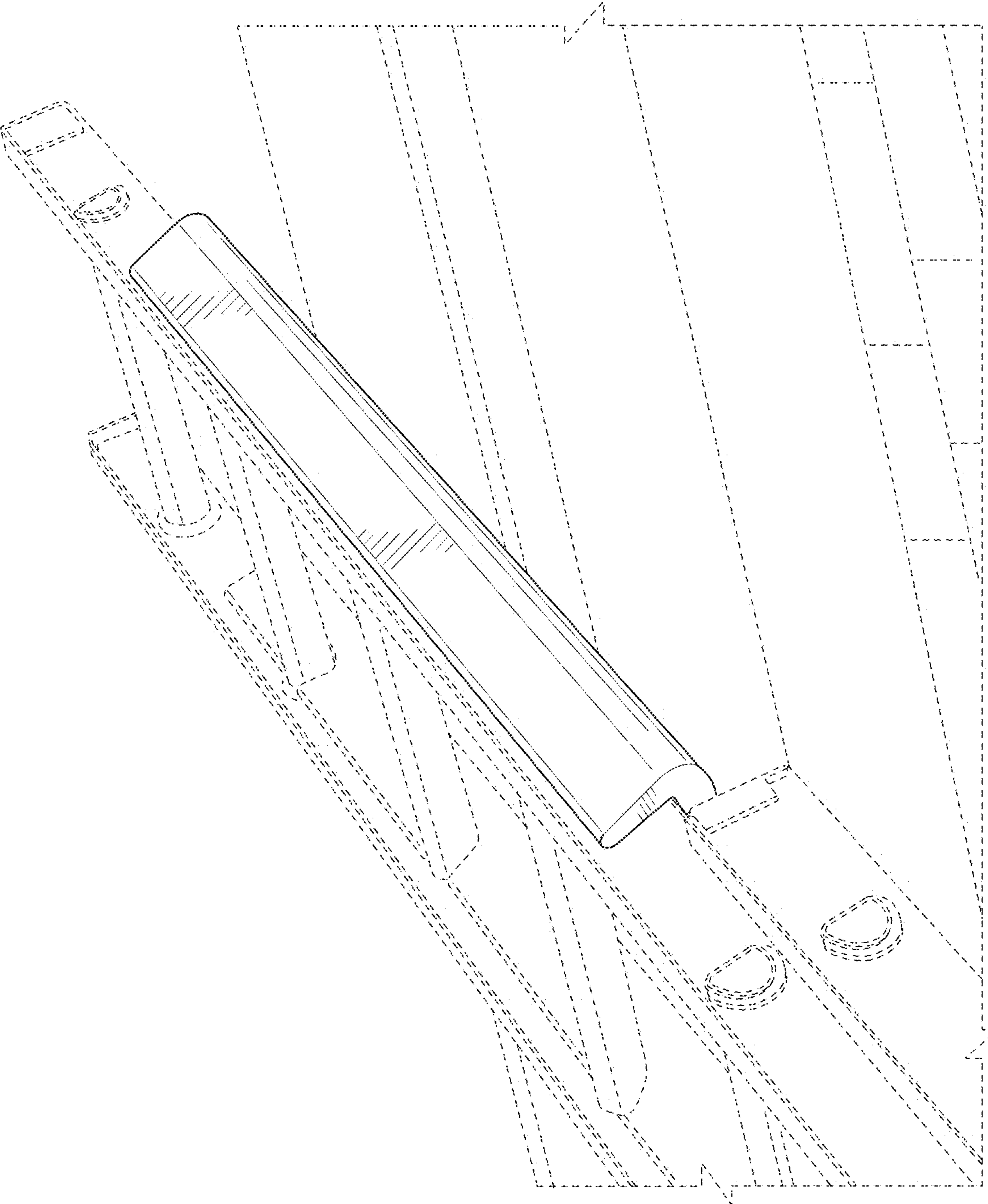


FIG. 8