



US00D918425S

(12) **United States Design Patent**  
**Zarem**

(10) **Patent No.:** **US D918,425 S**

(45) **Date of Patent:** **\*\* May 4, 2021**

- (54) **TREE LADDER**
- (71) Applicant: **Kary Zarem**, Myakka, FL (US)
- (72) Inventor: **Kary Zarem**, Myakka, FL (US)
- (\*\*) Term: **15 Years**
- (21) Appl. No.: **29/724,821**
- (22) Filed: **Feb. 19, 2020**

6,354,400	B1	3/2002	Purkayastha	
D457,650	S *	5/2002	MacDuff	D25/64
6,516,918	B2	2/2003	Hess	
6,698,546	B1 *	3/2004	Sandor, Sr.	E06C 1/34
				182/107
6,729,441	B1	5/2004	Nahlen	
6,830,128	B2	12/2004	Burgeson	
D540,474	S *	4/2007	Woller	D25/62
7,219,766	B2 *	5/2007	Deuer	E06C 1/36
				182/10
7,237,649	B2	7/2007	Harmston	
7,575,097	B2	8/2009	Sheridan et al.	
8,348,014	B2 *	1/2013	Kerstetter, Jr.	E06C 7/48
				182/8
8,528,695	B1 *	9/2013	Orpia	E06C 1/34
				182/107
8,695,761	B1	4/2014	Berkbuegler	
8,997,932	B1	4/2015	Ochoa	

**Related U.S. Application Data**

- (63) Continuation-in-part of application No. 15/982,577, filed on May 17, 2018, now abandoned.
- (51) **LOC (13) Cl.** ..... **25-04**
- (52) **U.S. Cl.**  
USPC ..... **D25/64**
- (58) **Field of Classification Search**  
USPC ..... D25/62-65, 68, 69; 248/210; 182/165, 182/22, 180.1, 124, 115, 173, 23  
CPC . E06C 1/34; E06C 1/381; E06C 7/188; E06C 7/48; E06C 1/393; E06C 1/18; E06C 1/39  
See application file for complete search history.

(Continued)

*Primary Examiner* — Gino Colan  
 (74) *Attorney, Agent, or Firm* — Boudwin Intellectual Property; Daniel Boudwin

(57) **CLAIM**

The ornamental design for a tree ladder, as shown and described.

(56) **References Cited**

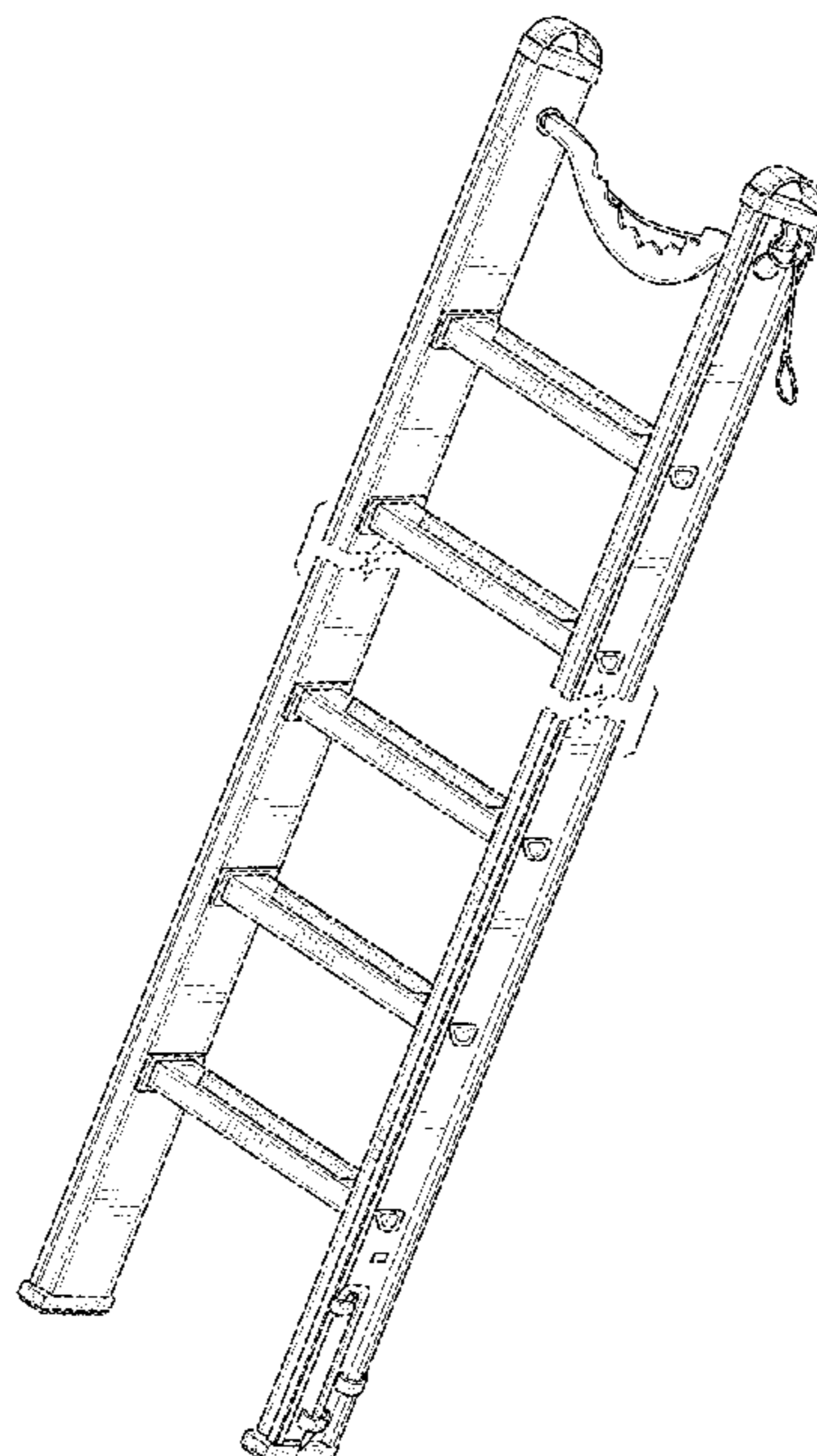
**U.S. PATENT DOCUMENTS**

1,994,369	A	3/1935	Risser
2,870,948	A	1/1959	Lundgren
3,407,900	A	10/1968	Henry
3,715,012	A	2/1973	Perry
3,828,889	A	8/1974	Rehm
4,363,378	A	12/1982	Williams et al.
4,836,331	A	6/1989	Foradori
4,946,004	A	8/1990	Henson
5,054,579	A	10/1991	Moson
5,460,240	A	10/1995	Jones
5,638,916	A	6/1997	Schneider
6,244,382	B1	6/2001	Labonte

**DESCRIPTION**

FIG. 1 shows a perspective view of a tree ladder; FIG. 2 shows a front view of the tree ladder; FIG. 3 shows a rear view of the tree ladder; FIG. 4 shows a left side view of the tree ladder; FIG. 5 shows a right side view of the tree ladder; FIG. 6 shows a top plan view of the tree ladder; and, FIG. 7 shows a bottom plan view of the tree ladder. The tree ladder is shown with symbolic breaks in its length. The appearance of any portion of the article between the break lines forms no part of the claimed design.

**1 Claim, 4 Drawing Sheets**



(56)

**References Cited**

U.S. PATENT DOCUMENTS

9,593,531 B2 \* 3/2017 Ballard ..... E06C 1/36  
2012/0024630 A1 2/2012 VanLaningham

\* cited by examiner

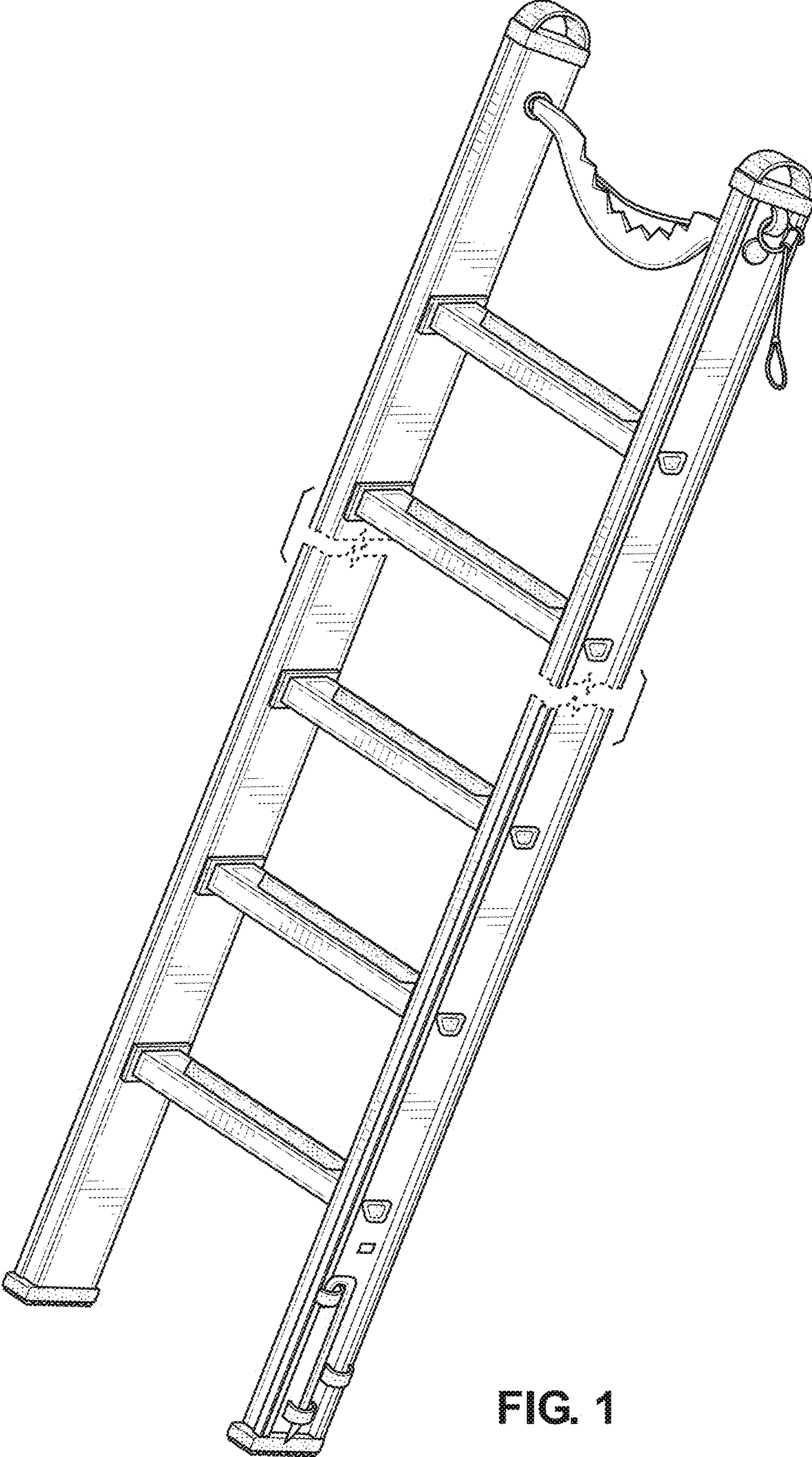


FIG. 1

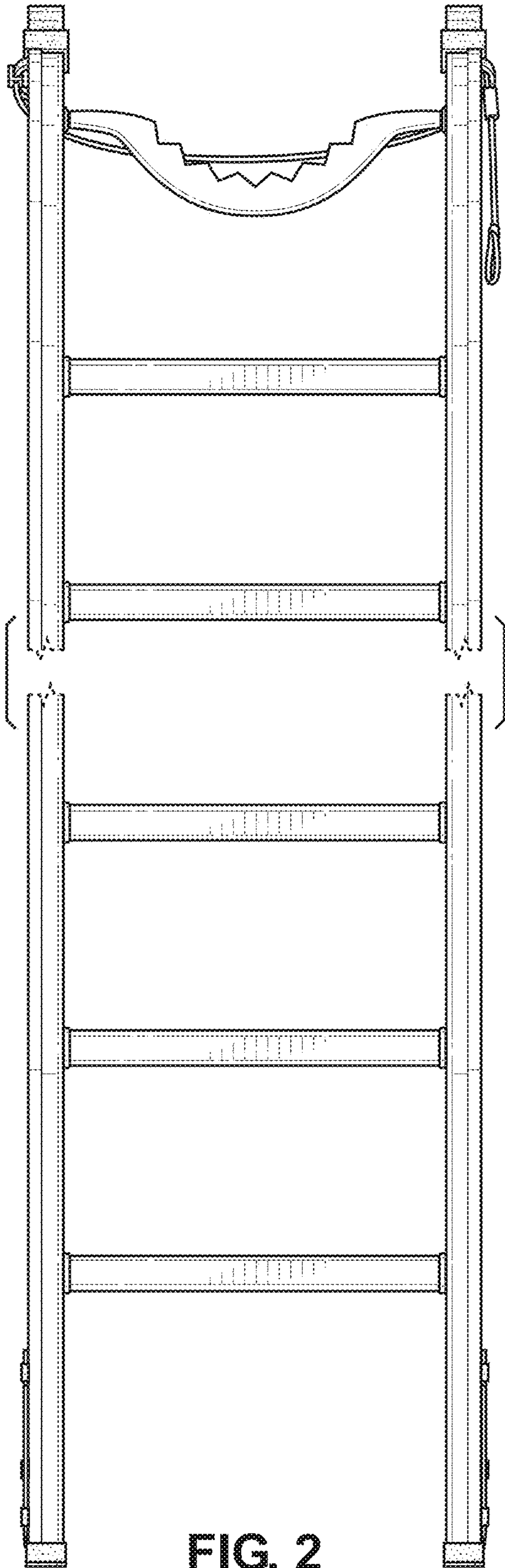


FIG. 2

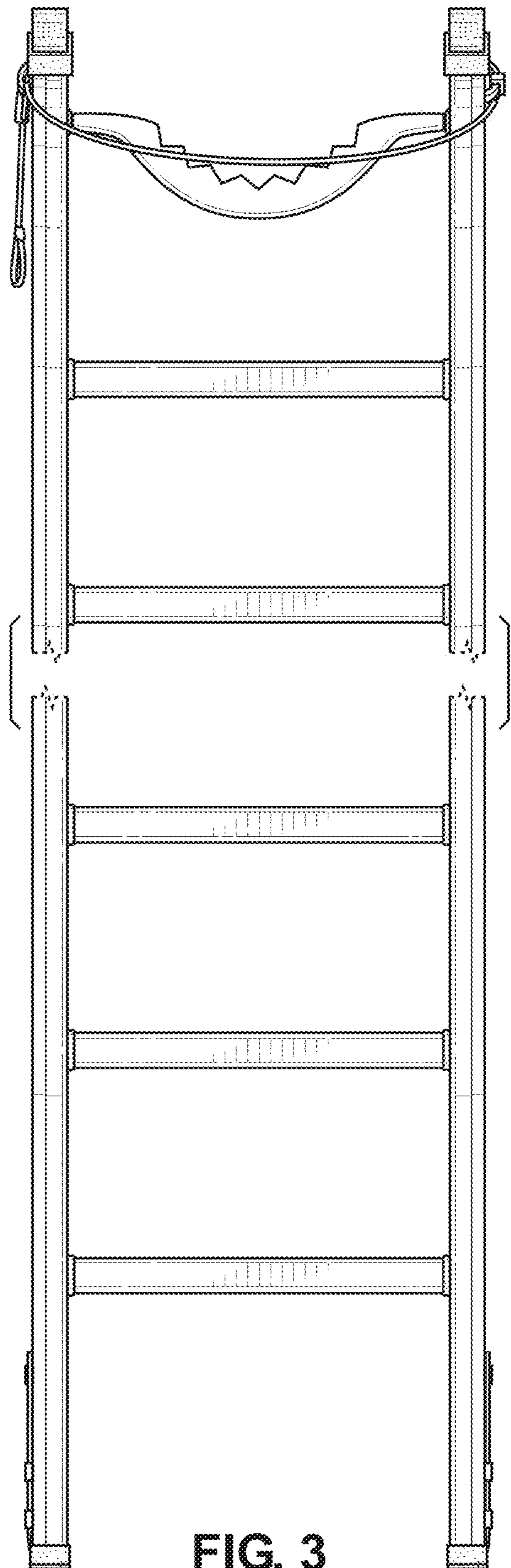


FIG. 3

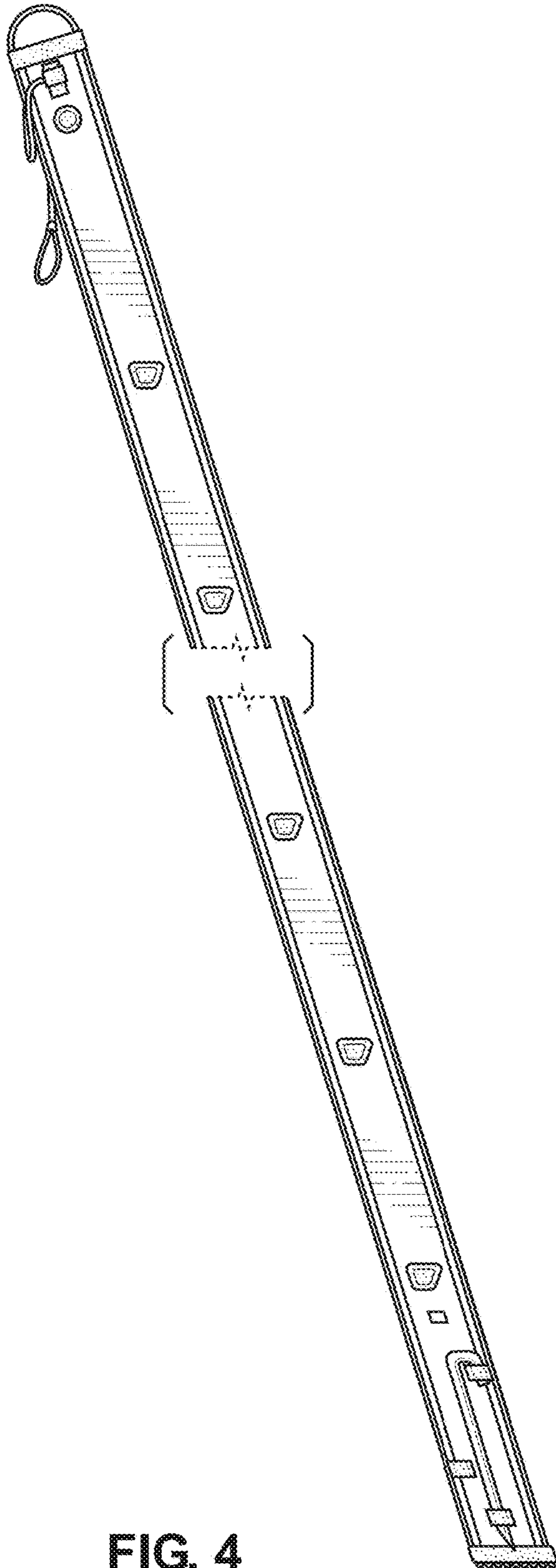


FIG. 4

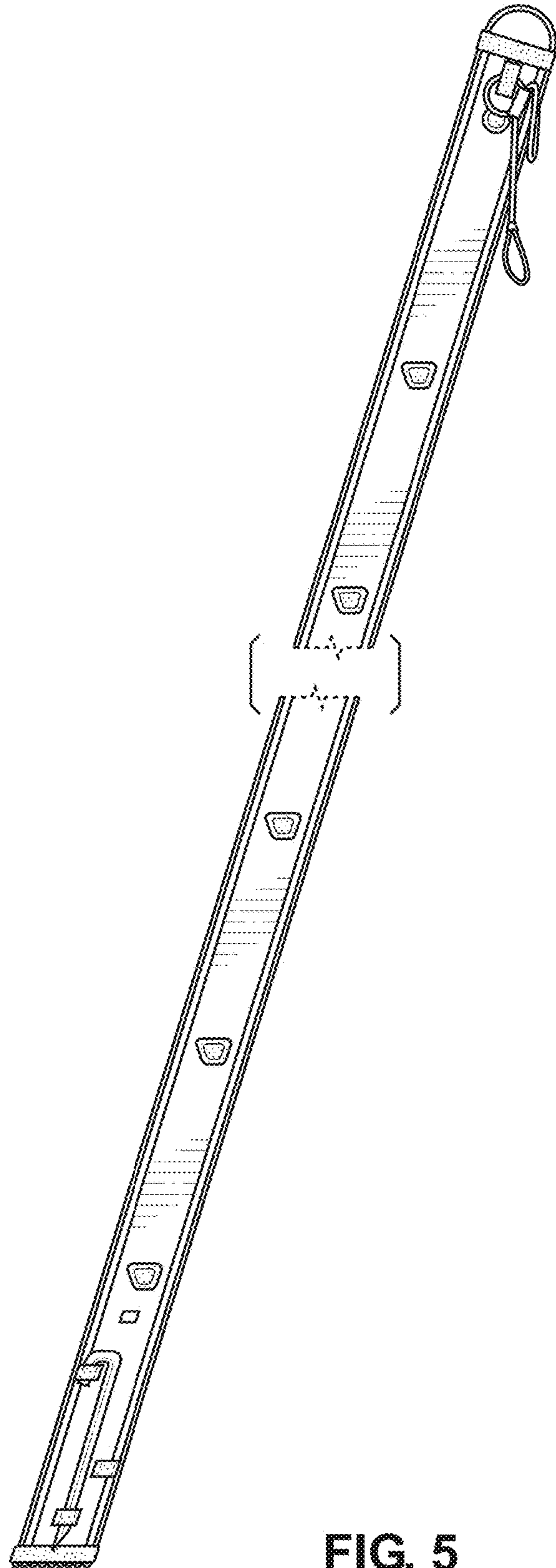


FIG. 5

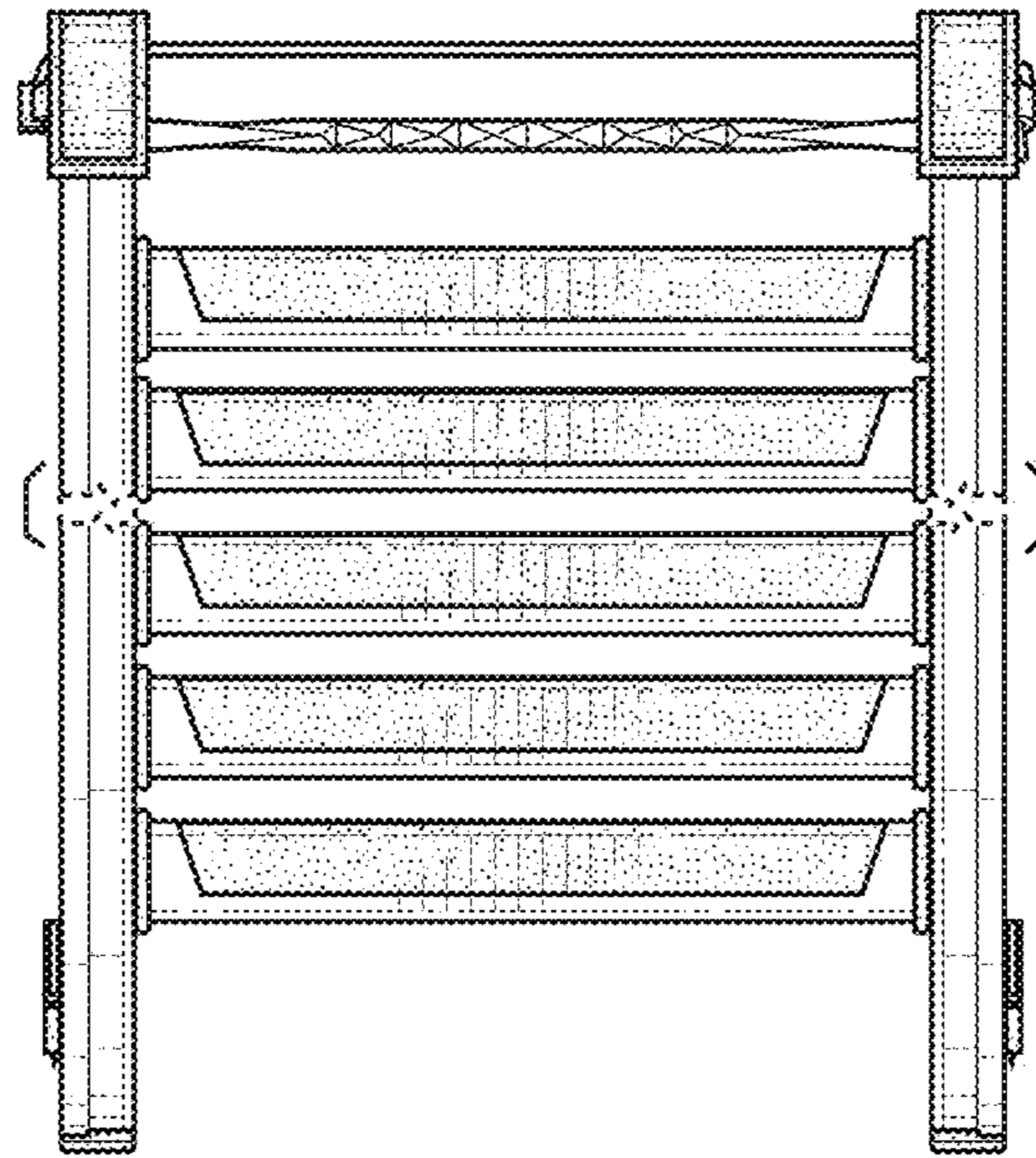


FIG. 6

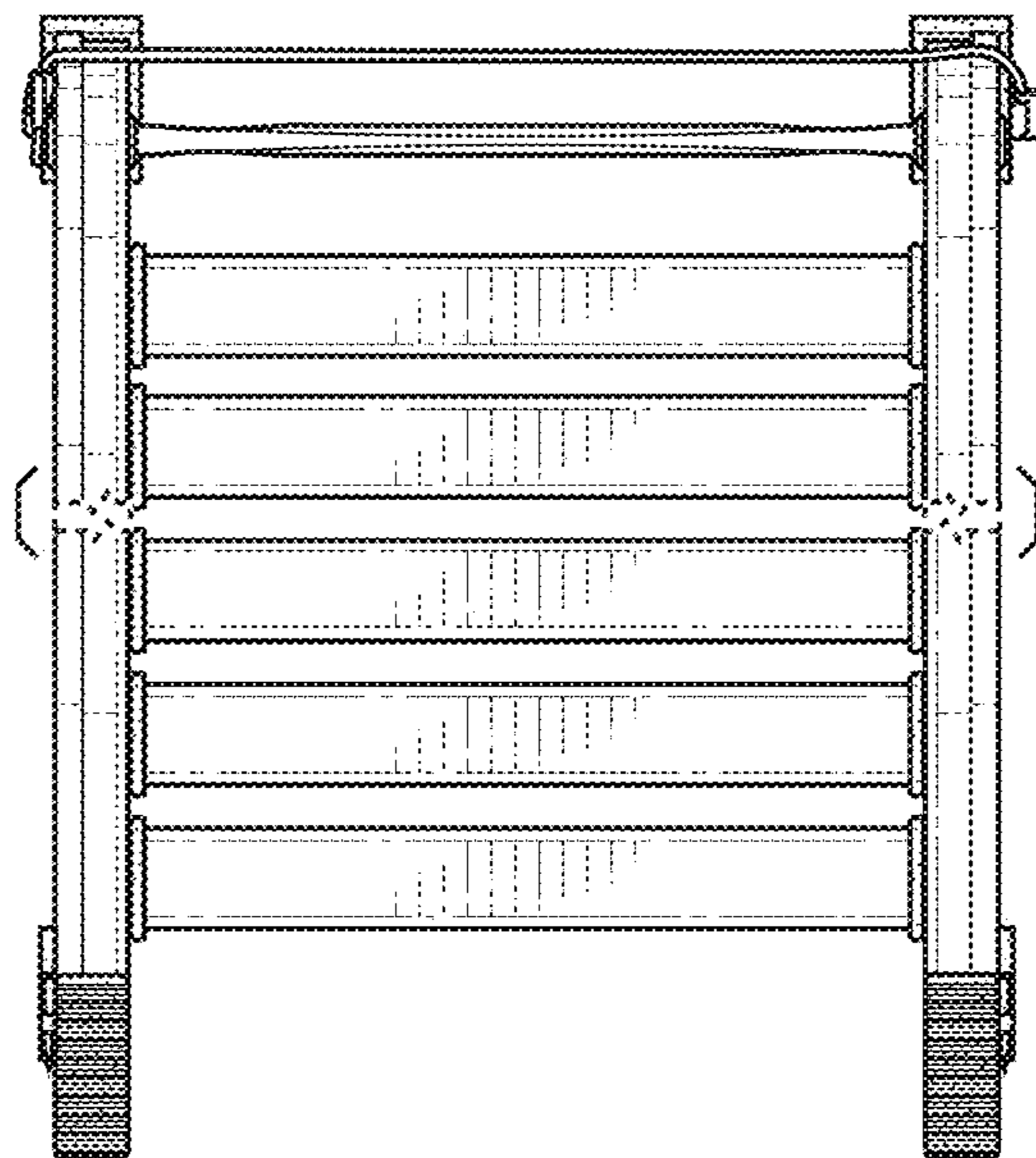


FIG. 7