



US00D918422S

(12) **United States Design Patent** (10) **Patent No.:** **US D918,422 S**
Bennett et al. (45) **Date of Patent:** **** May 4, 2021**

(54) **HANDRAIL CORNER**

OTHER PUBLICATIONS

(71) Applicant: **InPro Corporation**, Muskego, WI (US)

1000 Series Handrail Vinyl Commercial Handrail Inpro Corporation
<https://www.inprocorp.com/products/door-and-wall-protection/handrails/1000-series/> Aug. 8, 2020 (Year: 2020).*
Handrails.indd <https://www.inprocorp.com/globalassets/resource-documents/1000bh-ligature-resistant-handrail-specification-ipc.3174-rev1.pdf> Oct. 29, 2019 (Year: 2019).*

(72) Inventors: **Matthew G. Bennett**, New Berlin, WI (US); **Andrew R. Holten**, Muskego, WI (US)

(Continued)

(73) Assignee: **InPro Corporation**, Muskego, WI (US)

(**) Term: **15 Years**

Primary Examiner — Leanne Was-Englehart

(21) Appl. No.: **29/686,659**

(74) *Attorney, Agent, or Firm* — Reinhart Boerner Van Deuren s.c.

(22) Filed: **Apr. 5, 2019**

(51) **LOC (13) Cl.** **25-02**

(57) **CLAIM**

(52) **U.S. Cl.**

We claim the ornamental design for a handrail corner, as shown and described.

USPC **D25/38.1**

(58) **Field of Classification Search**

USPC D24/184, 231; D25/38.1, 41.1, 43, 44, D25/119

CPC E04F 11/1804; E04F 11/1808; E04F 11/1834; E04F 11/184; E04F 2011/1889; E04F 2011/1897

DESCRIPTION

See application file for complete search history.

FIG. 1 is a front perspective view of a handrail corner; FIG. 2 is a rear perspective view of FIG. 1; FIG. 3 is a bottom perspective view of FIG. 1; FIG. 4 is a side view of FIG. 1; FIG. 5 is another side view of FIG. 1 depicting the side opposite the side of FIG. 4; FIG. 6 is a front view of FIG. 1; FIG. 7 is a rear view of FIG. 1; FIG. 8 is a top view of FIG. 1; FIG. 9 is a bottom view of FIG. 1; and, FIG. 10 is a perspective view of a handrail assembly including the handrail corner of FIG. 1.

(56) **References Cited**

U.S. PATENT DOCUMENTS

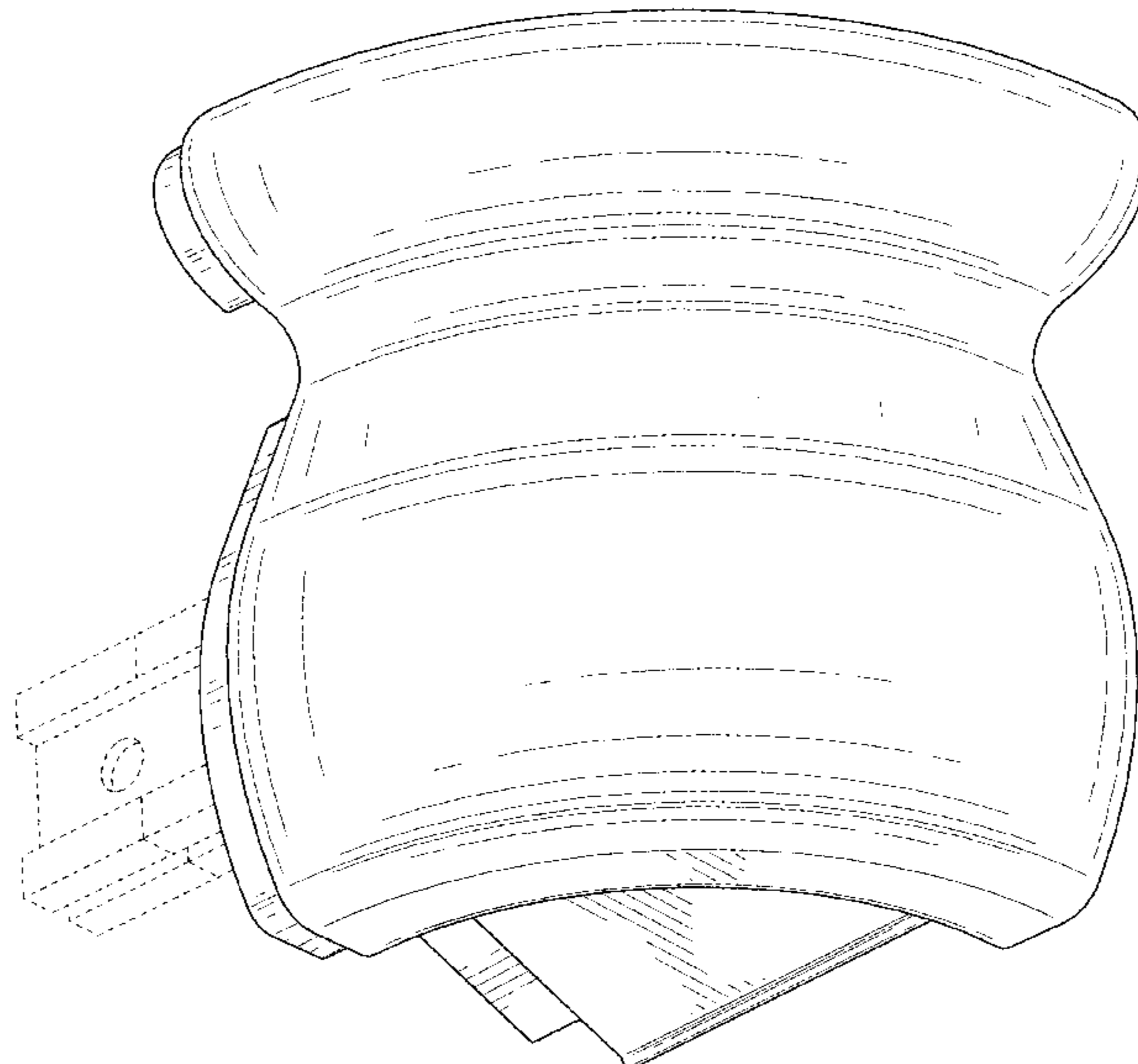
5,165,643 A * 11/1992 Shreiner E04F 11/1804 248/251
D463,042 S * 9/2002 Perkins D25/119
D479,004 S * 8/2003 Perkins D25/119
D480,820 S * 10/2003 Perkins D25/119
D707,366 S * 6/2014 Rowland D25/38.1
D733,324 S * 6/2015 Daniels D25/38.1
D733,327 S * 6/2015 Daniels D25/119

FOREIGN PATENT DOCUMENTS

GB 6070424 * 9/2019
KR 300967620.0000 * 8/2018
WO D057704-001 * 11/2001

The design envisioned includes a handrail corner whose image is mirror symmetrical to the one shown. The broken lines depict portions of the handrail corner that form no part of the claimed design.

1 Claim, 10 Drawing Sheets



(56)

References Cited

OTHER PUBLICATIONS

New York State Office of Mental Health, "Patient Safety Standards, Materials and Systems Guidelines," pp. 90-94, 21st Edition, Mar. 11, 2019, accessed on the internet [https://www.omh.ny.gov/omhweb/patient_safety_standards/guide.pdf], 211 pages.

Construction Specialties Group, "HRB-4CCMN," Dec. 12, 2012, accessed on the Internet [<https://www.c-sgroup.com/files/tech-center/acrovyn/cad/pdf/hrb4ccmn.pdf>], 1 page.

Construction Specialties Group, "HRB-4CCMN Handrail with Ligature Resistant Mounting Bracket," Installation Guide, Mar. 27, 2015, accessed on the Internet [<https://www.c-sgroup.com/files/tech-center/acrovyn/install/pdf/24hrb4ccmn.pdf>], 7 pages.

Construction Specialties Group, "HRB-20CMN Acrovyn 4000," Dec. 12, 2012, accessed on the Internet [<https://www.c-sgroup.com/files/tech-center/acrovyn/cad/pdf/hrb-20cmn.pdf>], 1 page.

Construction Specialties Group, "HRB-20CMN Handrail with Ligature Resistant Mounting Bracket," Dec. 12, 2012, accessed on the Internet [<https://www.c-sgroup.com/files/tech-center/acrovyn/install/pdf/hrb-20cmn.pdf>], 7 pages.

Pawling Corporation, "Pro Tek Installation Instruction, BR-500 Series Handrail with Continuous Security Bracket," available on Jan. 10, 2019, 4 pages.

Pawling Corporation, "Pro Tek Installation Instruction, BR-400V Series Handrails," available on Jan. 10, 2019, 4 pages.

* cited by examiner

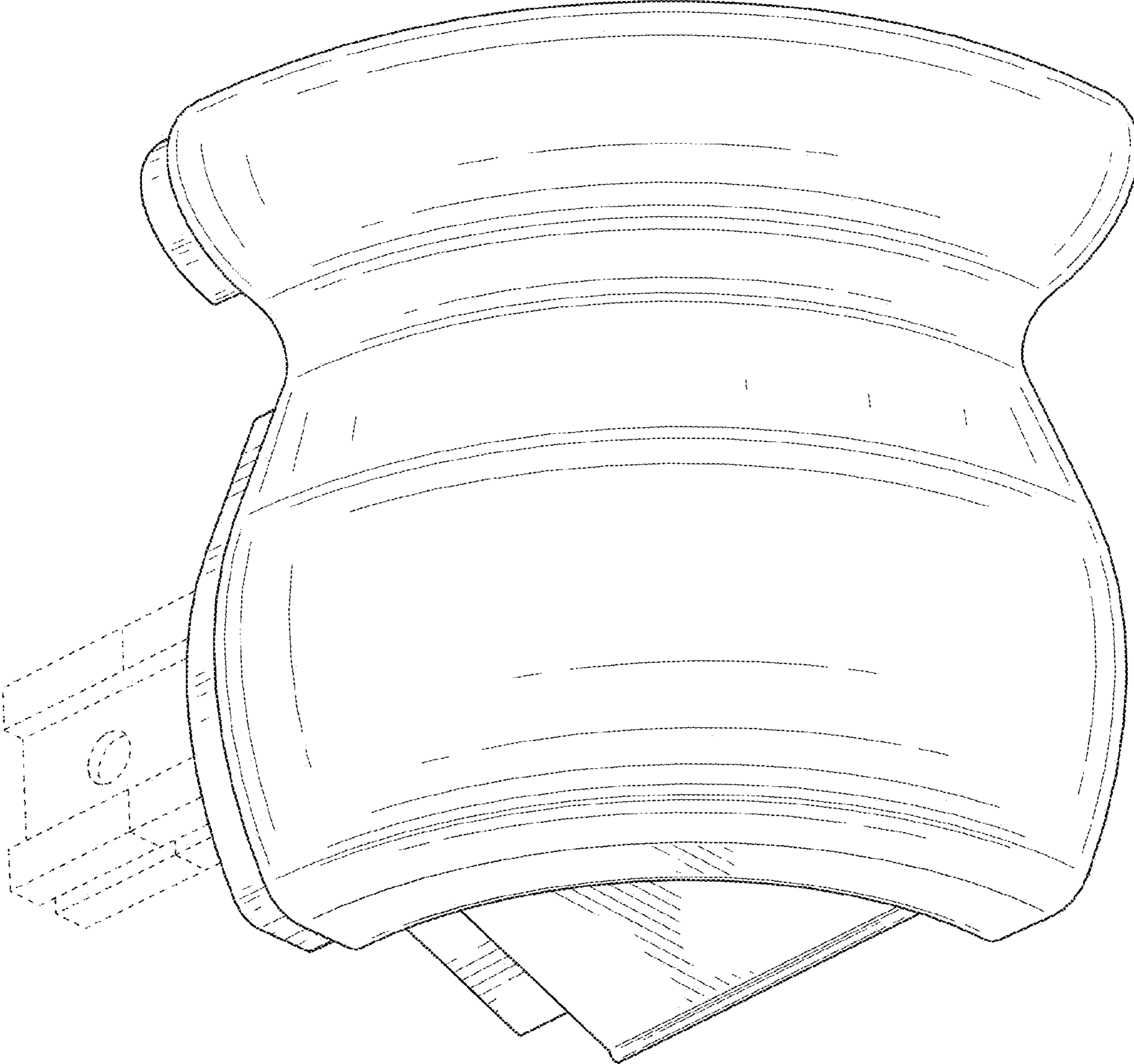


FIG. 1

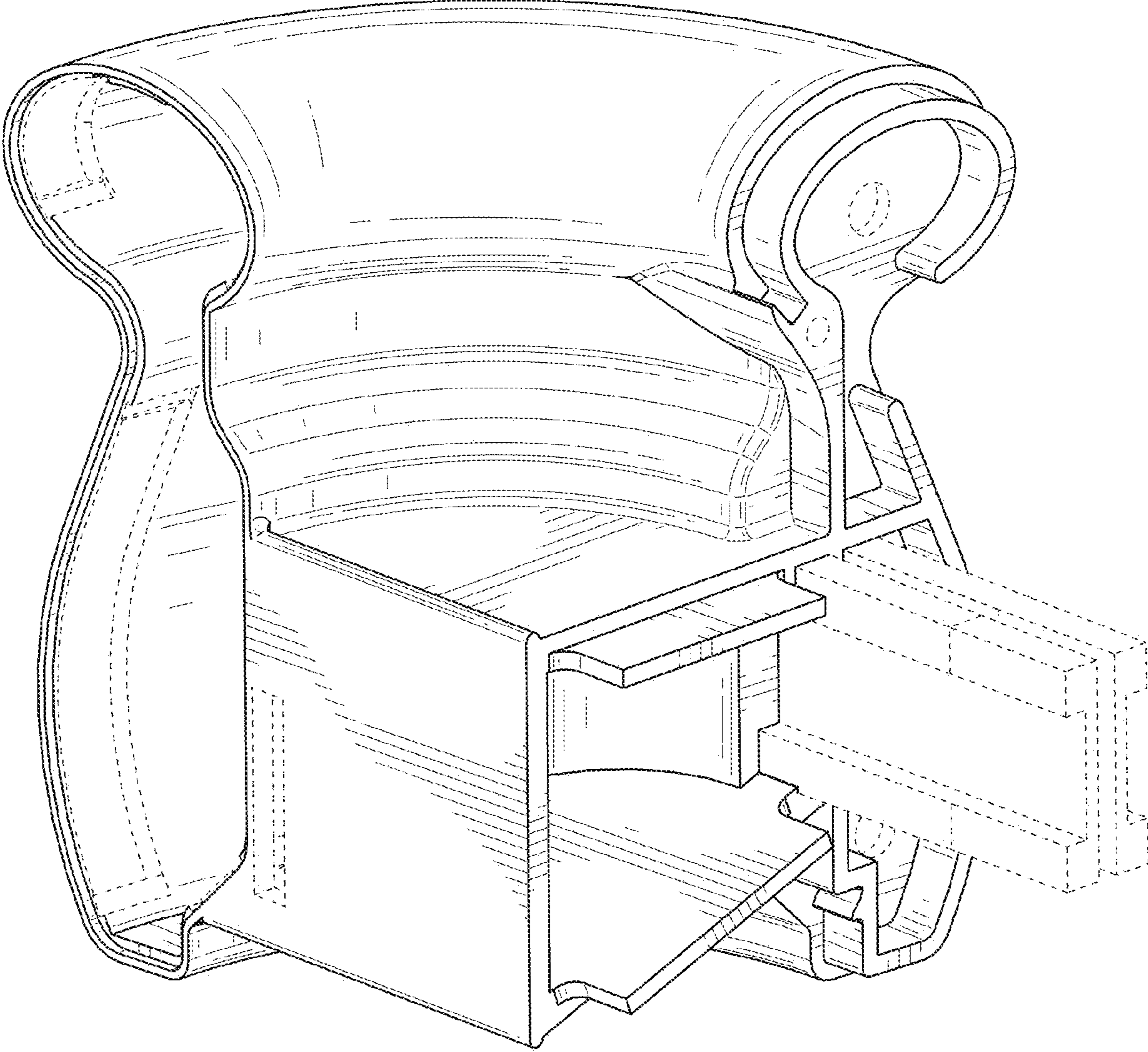


FIG. 2

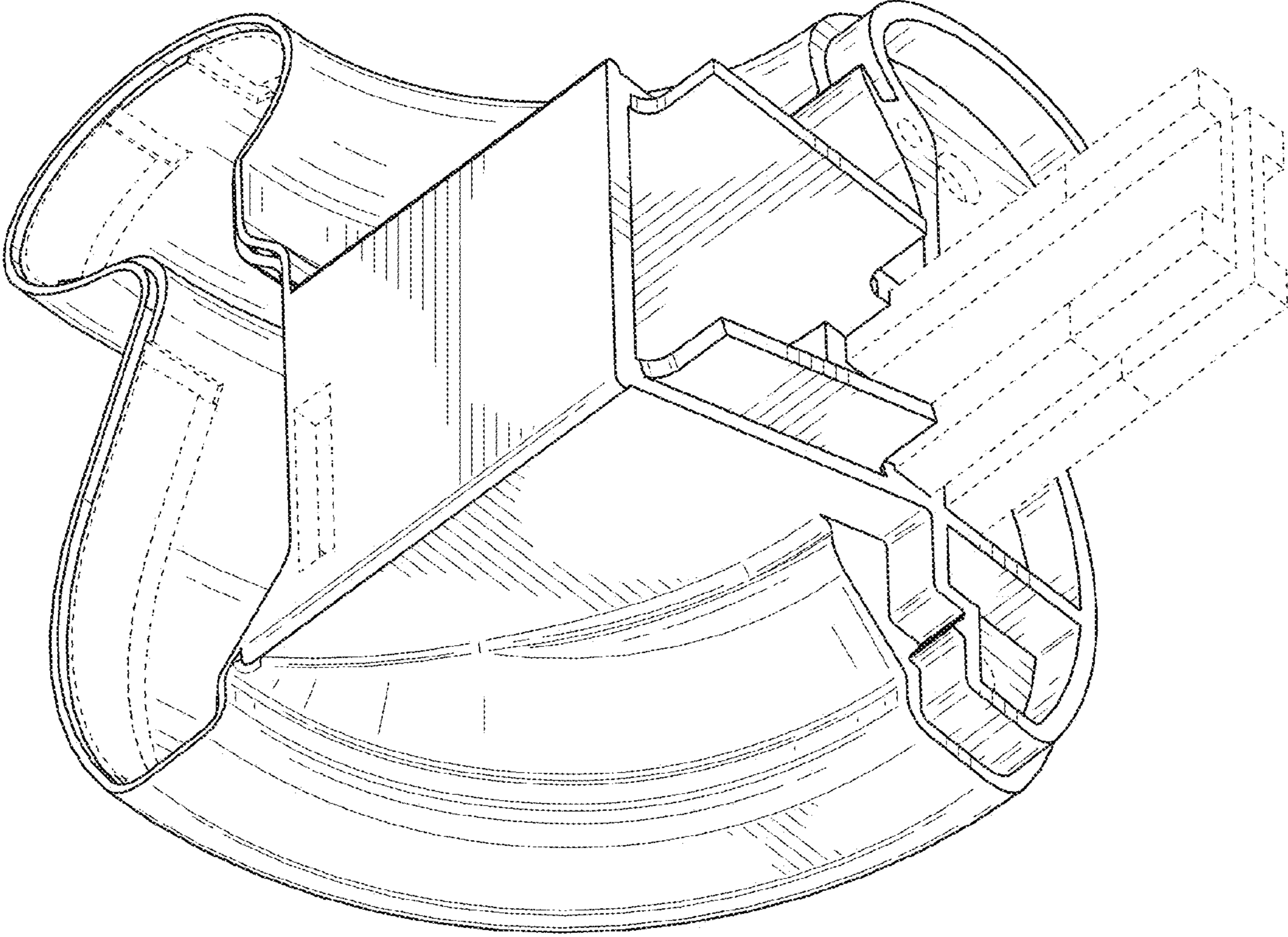


FIG. 3

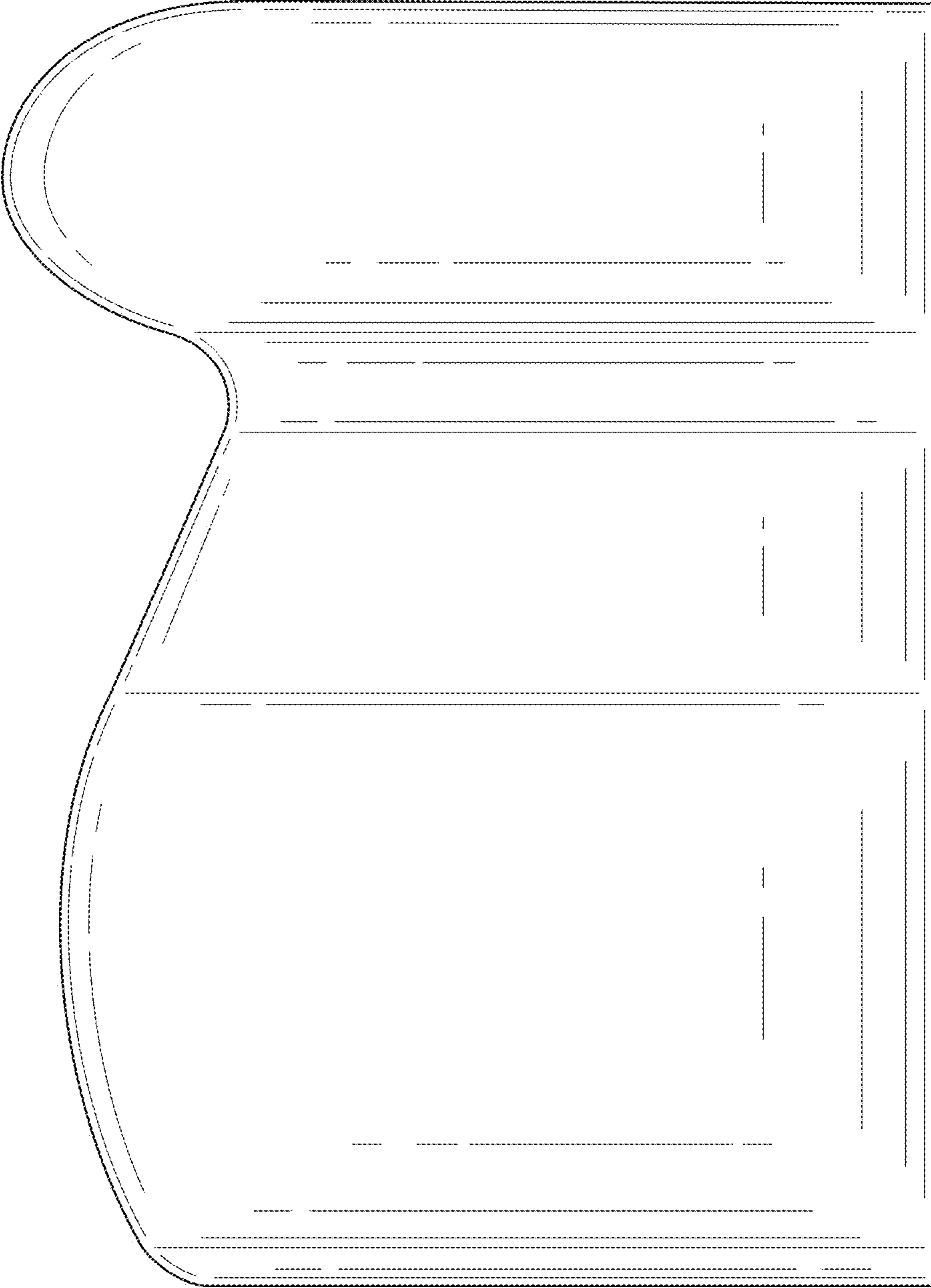


FIG. 4

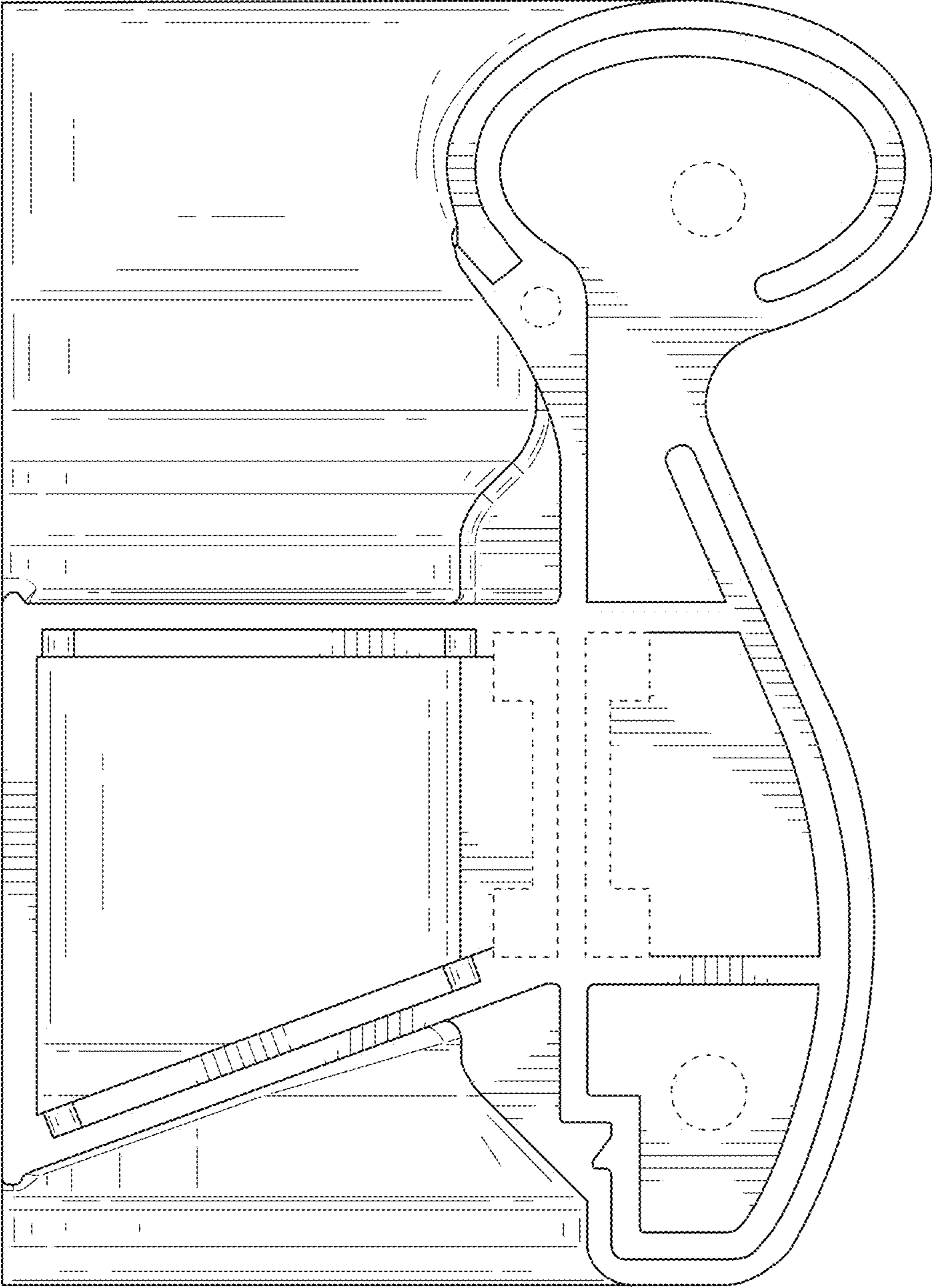


FIG. 5

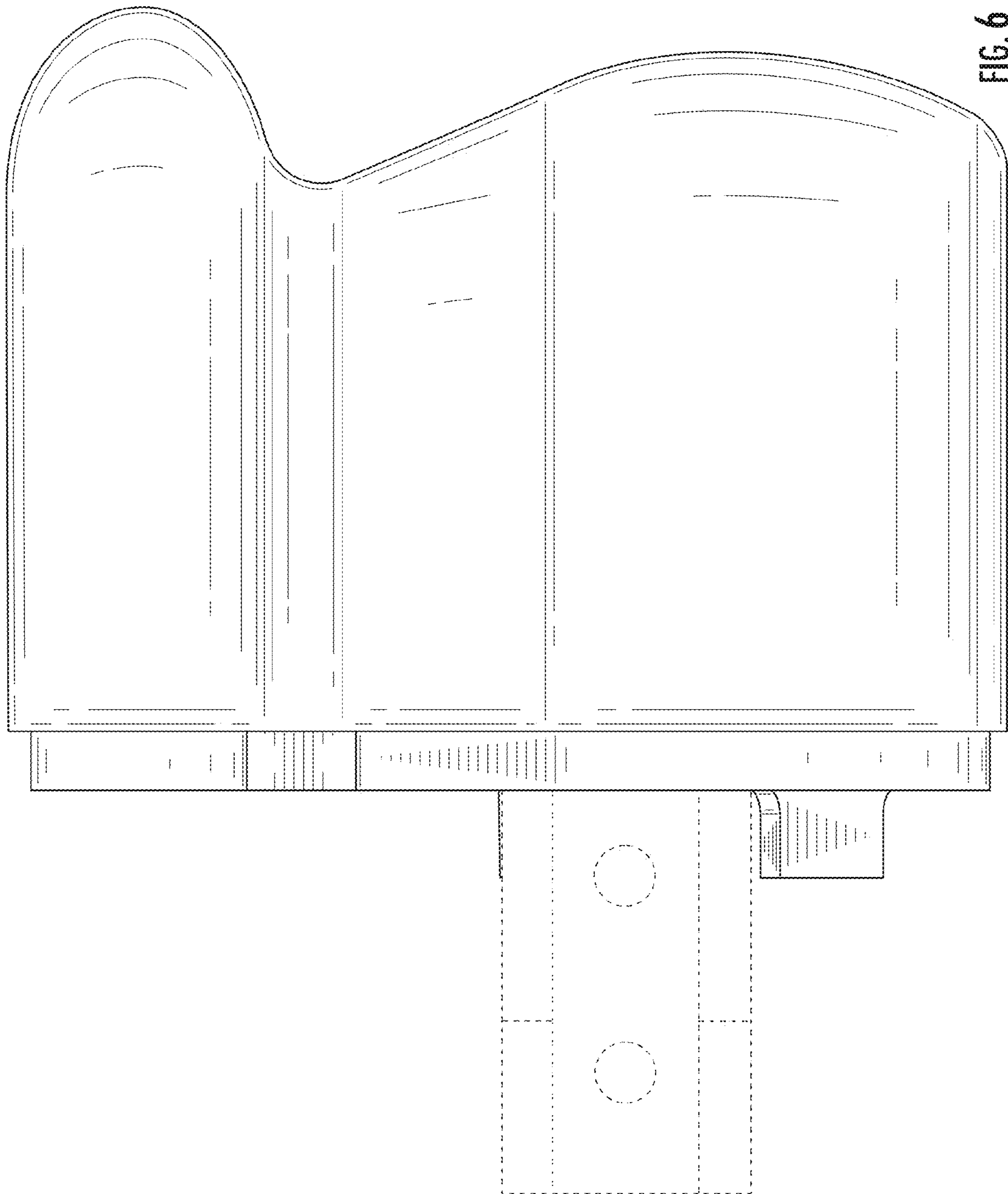


FIG. 6

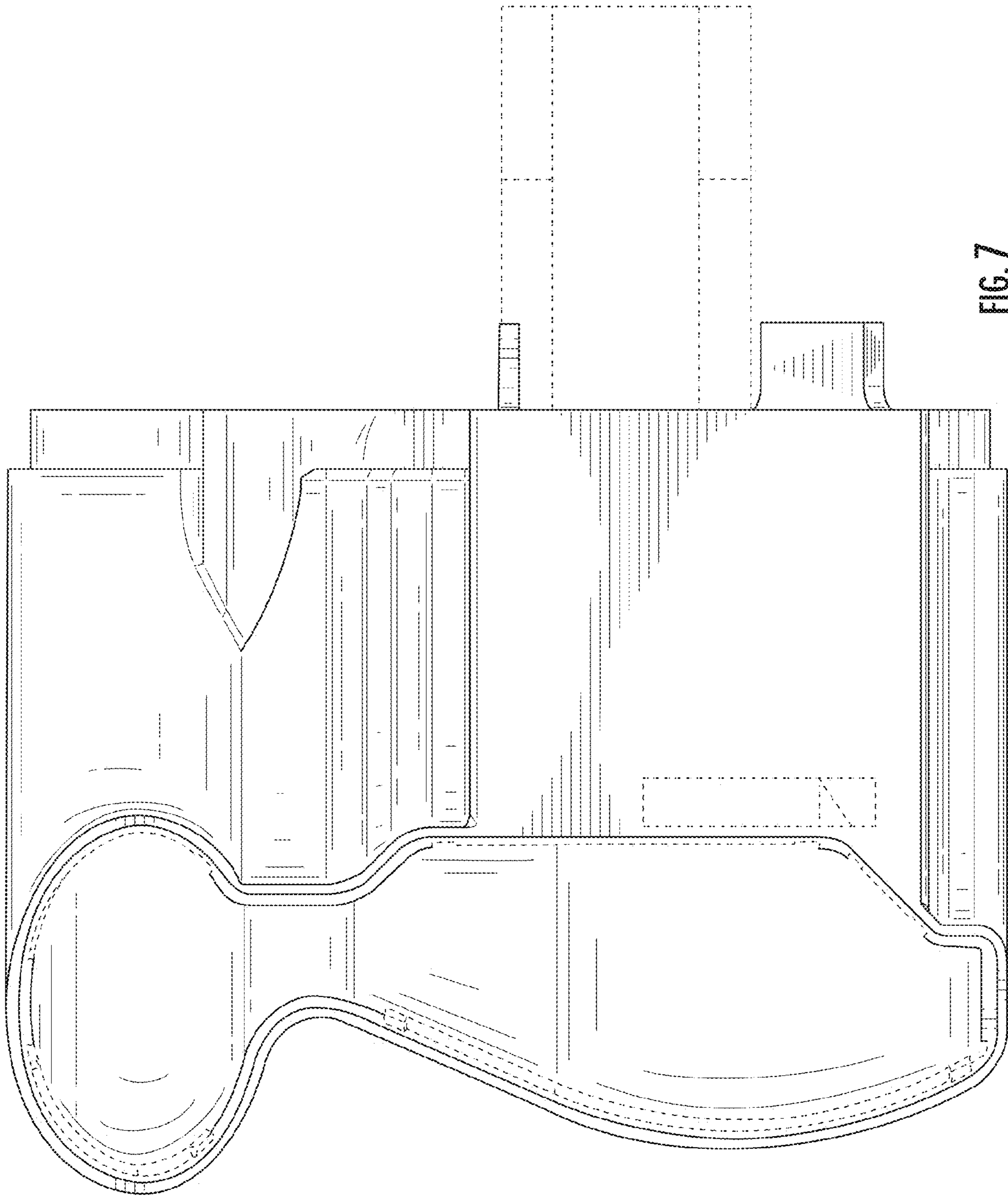


FIG. 7

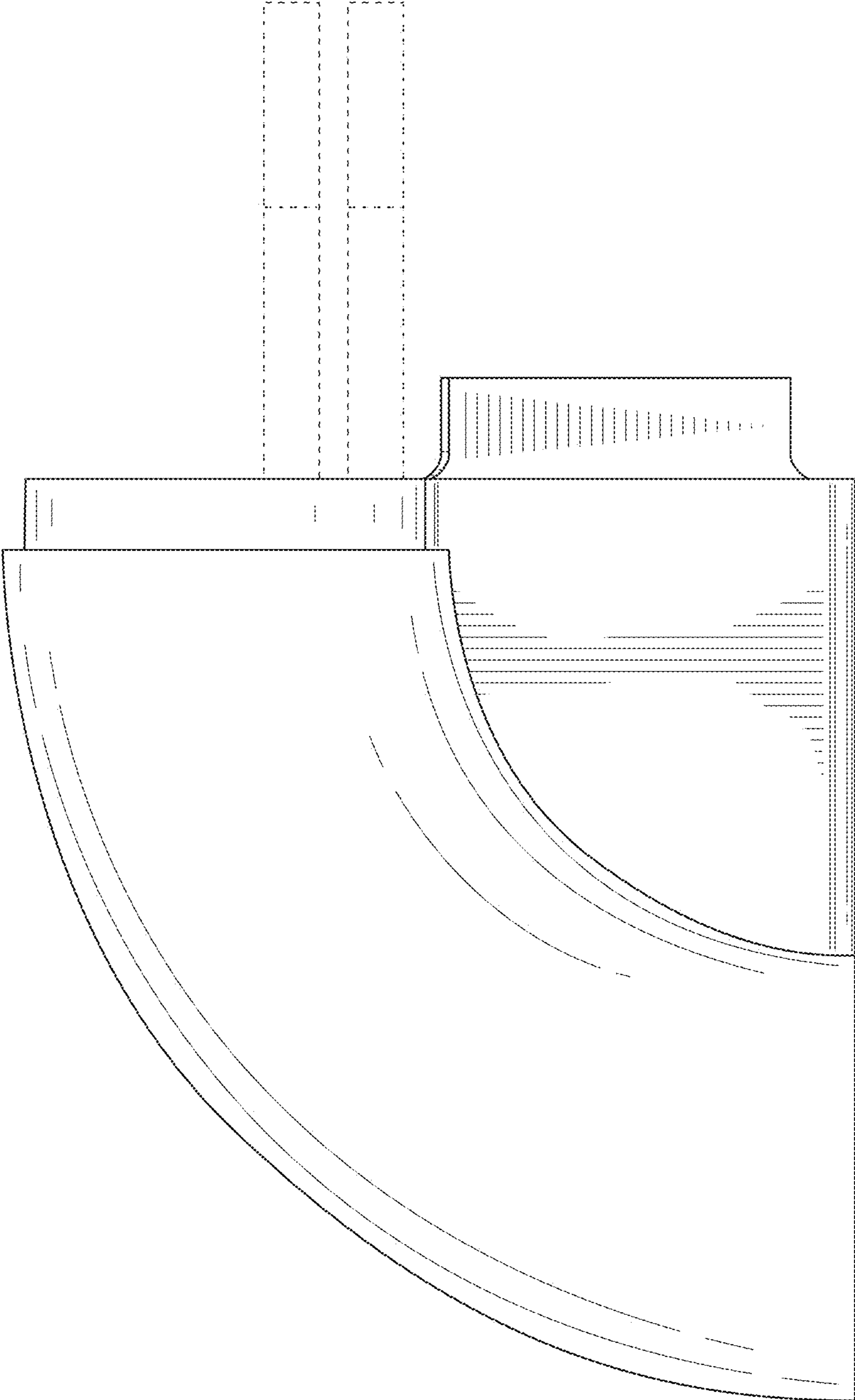


FIG. 8

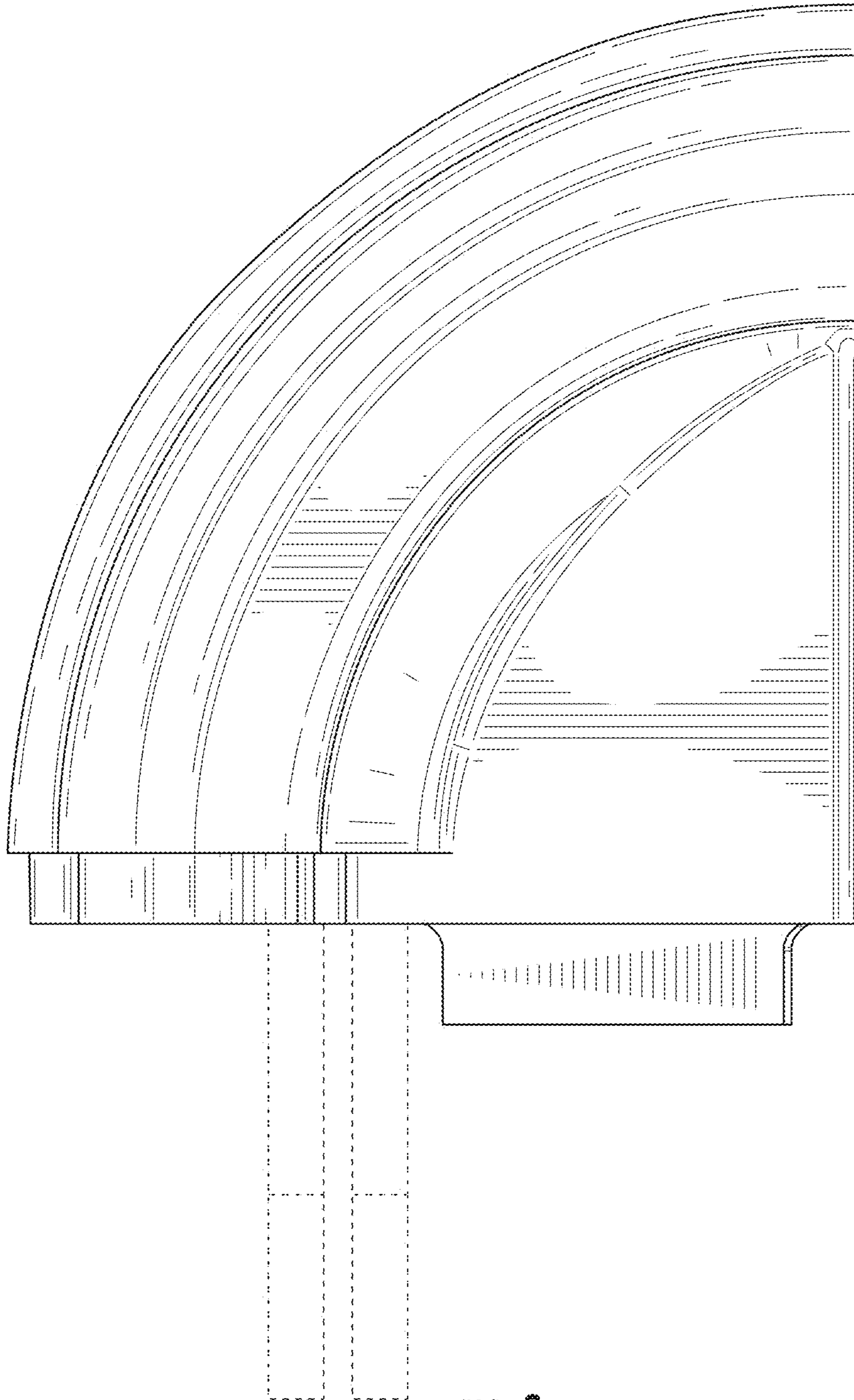


FIG. 9

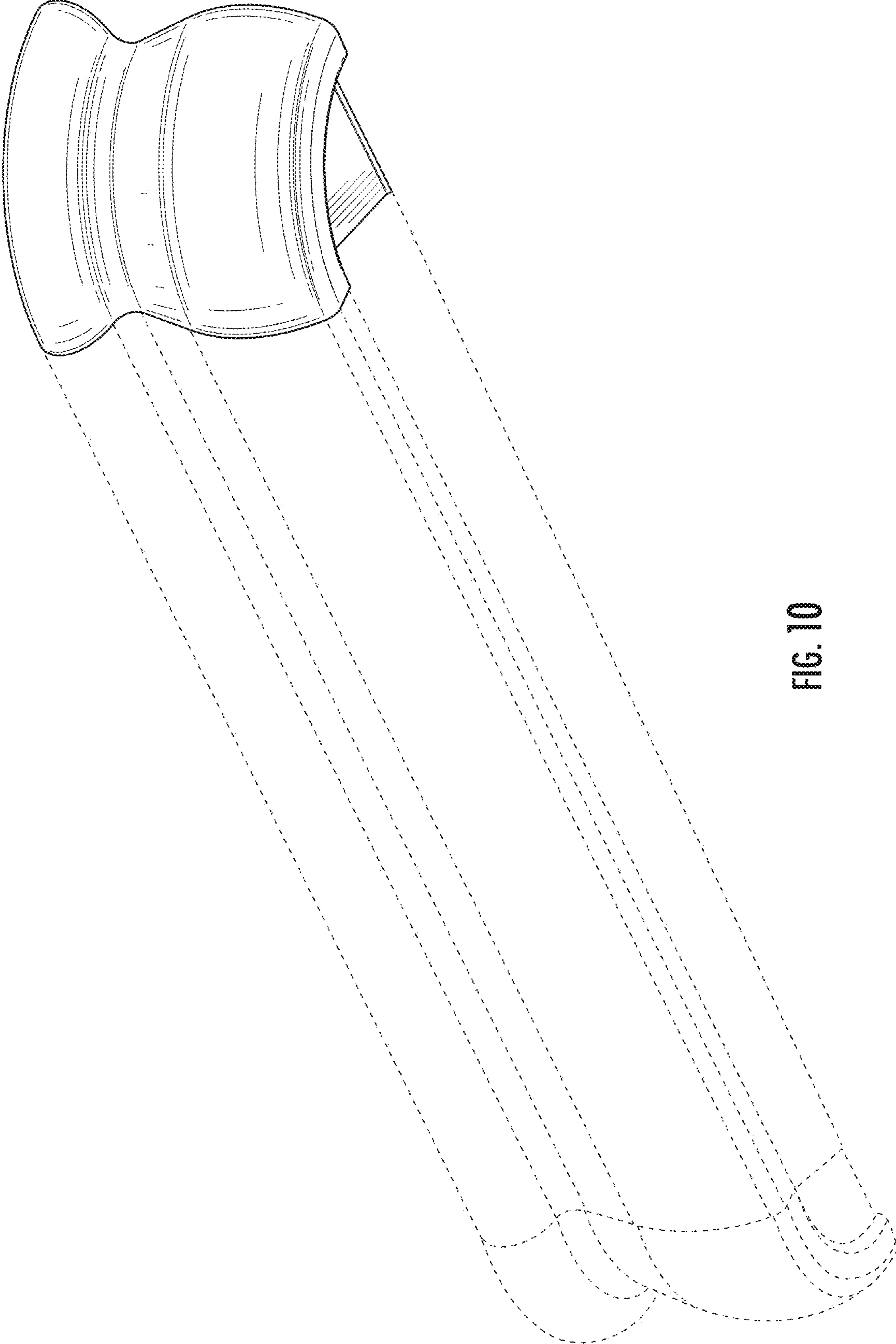


FIG. 10