



US00D918419S

(12) **United States Design Patent**
Rindoks et al.

(10) **Patent No.:** **US D918,419 S**

(45) **Date of Patent:** **** May 4, 2021**

- (54) **LABORATORY TABLE**
- (71) Applicants: **Kewaunee Scientific Corporation**,
Statesville, NC (US); **Rainlight Studio LLC**,
Culver City, CA (US)
- (72) Inventors: **Kurt P. Rindoks**, Statesville, NC (US);
Karole D. Clanton, Stony Point, NC (US);
Matthew David Hern, Malibu, CA (US)
- (73) Assignees: **Kewaunee Scientific Corporation**,
Statesville, NC (US); **Rainlight Studio LLC**,
Culver City, CA (US)
- (**) Term: **15 Years**
- (21) Appl. No.: **29/645,334**
- (22) Filed: **Apr. 25, 2018**
- (51) **LOC (13) Cl.** **24-99**
- (52) **U.S. Cl.**
USPC **D24/234**
- (58) **Field of Classification Search**
USPC D24/234, 185, 232; D6/684, 653, 672,
D6/656
CPC A47B 17/02; A47B 83/001; A47B 47/00;
A47B 57/30; A47B 21/06; A47B 83/04;
H02G 3/386; B01L 1/52; A01G 9/022
See application file for complete search history.

- D330,940 S * 11/1992 Engel D24/234
- D390,968 S * 2/1998 Kummerfeld D24/232
- D394,508 S * 5/1998 Nuzzio D24/234
- 5,901,513 A * 5/1999 Mollenkopf A47B 21/06
108/182
- 5,997,397 A * 12/1999 Frickel B08B 15/023
312/209
- D420,748 S * 2/2000 Strickland D24/234
- D427,801 S * 7/2000 Cary, Jr. D24/234
- 6,085,665 A * 7/2000 Smith A47B 83/04
108/24
- 6,112,913 A * 9/2000 Rindoks A47B 57/30
108/108
- 6,138,583 A * 10/2000 Mahone A47B 47/00
108/108
- D463,161 S * 9/2002 Nored D24/234
- D506,834 S * 6/2005 Peterson D24/234
- D508,343 S * 8/2005 Pflaster D6/653.14
- D591,083 S * 4/2009 Singler D6/672
- 7,634,967 B1 * 12/2009 Albright H02G 3/386
108/50.02
- D644,044 S * 8/2011 Kitajima D6/656.17
- D739,554 S * 9/2015 Poirier D24/234

(Continued)

Primary Examiner — Rhea Shields

(74) *Attorney, Agent, or Firm* — Nelson Mullins Riley & Scarborough LLP

(57) **CLAIM**

The ornamental design for a laboratory table, as shown.

DESCRIPTION

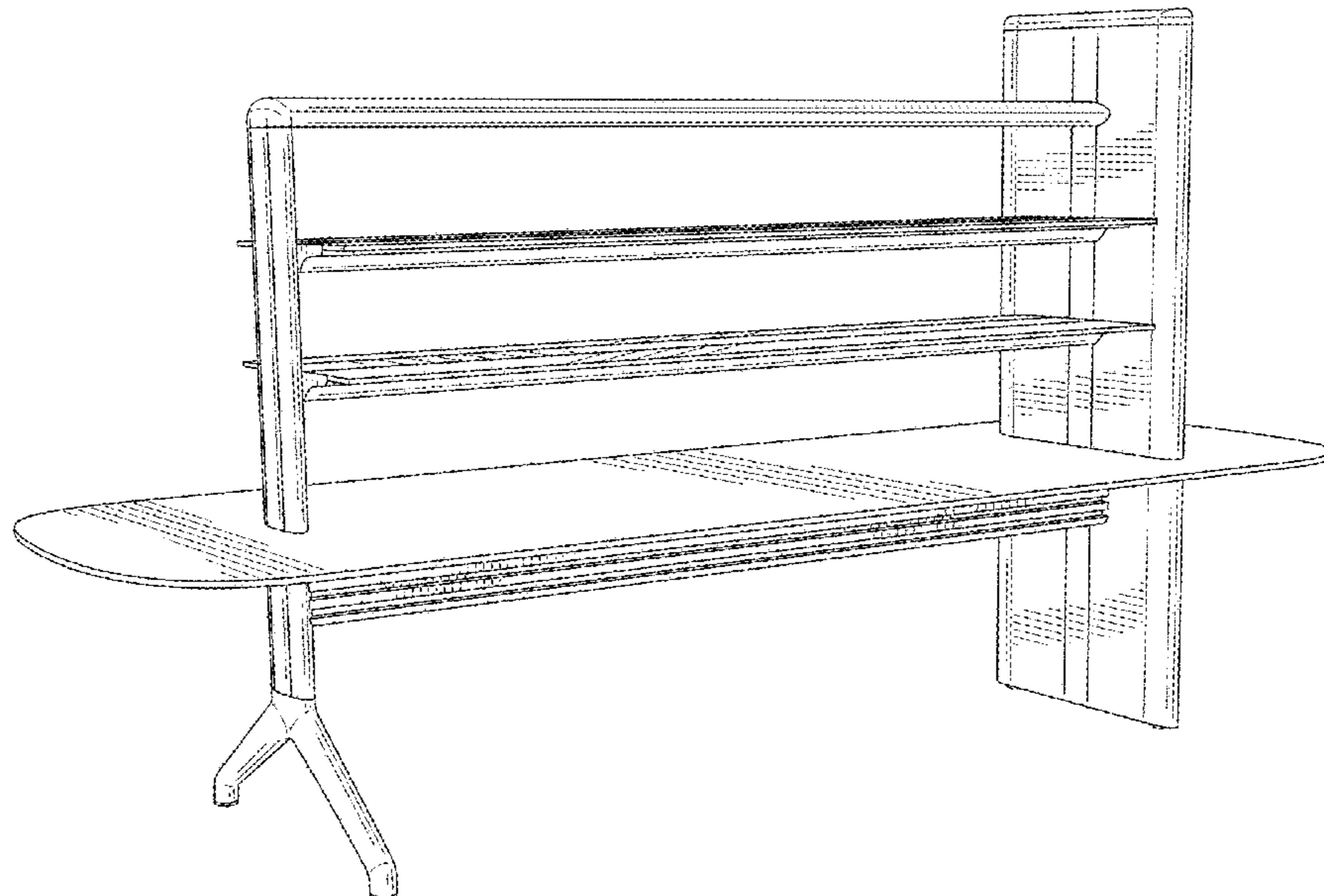
FIG. 1 is a perspective view of a laboratory table, showing our new design;
 FIG. 2 is a front elevation thereof;
 FIG. 3 is a rear elevation thereof;
 FIG. 4 is a left end elevation thereof;
 FIG. 5 is a right end elevation thereof;
 FIG. 6 is a top plan thereof; and,
 FIG. 7 is a bottom plan thereof.

1 Claim, 6 Drawing Sheets

(56) **References Cited**

U.S. PATENT DOCUMENTS

- 3,041,957 A * 7/1962 Liptay B01L 1/52
454/56
- D215,931 S * 11/1969 Sandefur D6/684
- D221,379 S * 8/1971 Salsgiver D24/234
- 3,772,827 A * 11/1973 Ware A01G 9/022
47/39
- D252,820 S * 9/1979 Olson D24/185



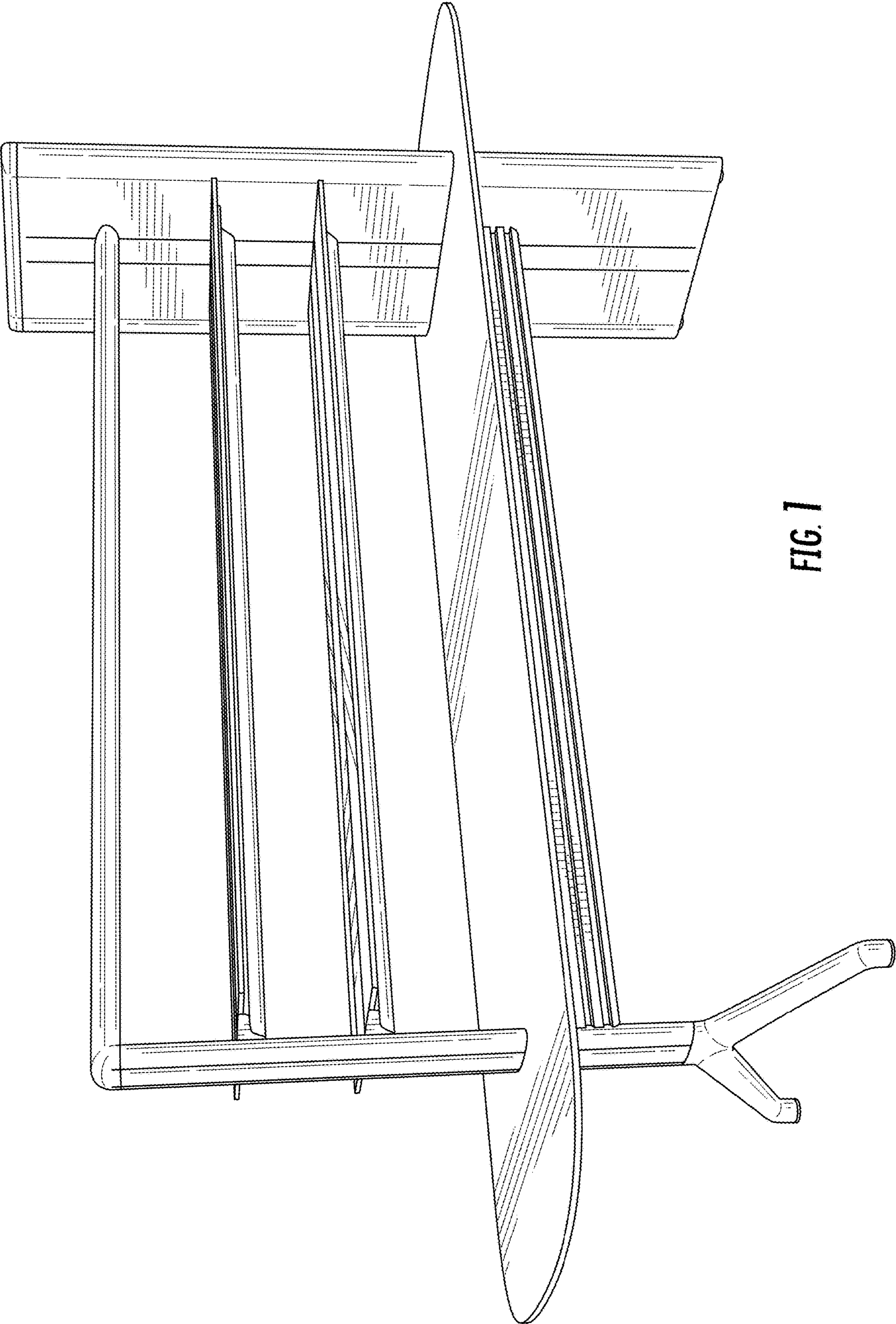
(56)

References Cited

U.S. PATENT DOCUMENTS

9,532,647	B2 *	1/2017	Bedard	A47B 83/04
2007/0204537	A1 *	9/2007	Bastian	A47B 83/001
				52/220.7
2008/0121149	A1 *	5/2008	Michaud	A47B 17/02
				108/147

* cited by examiner



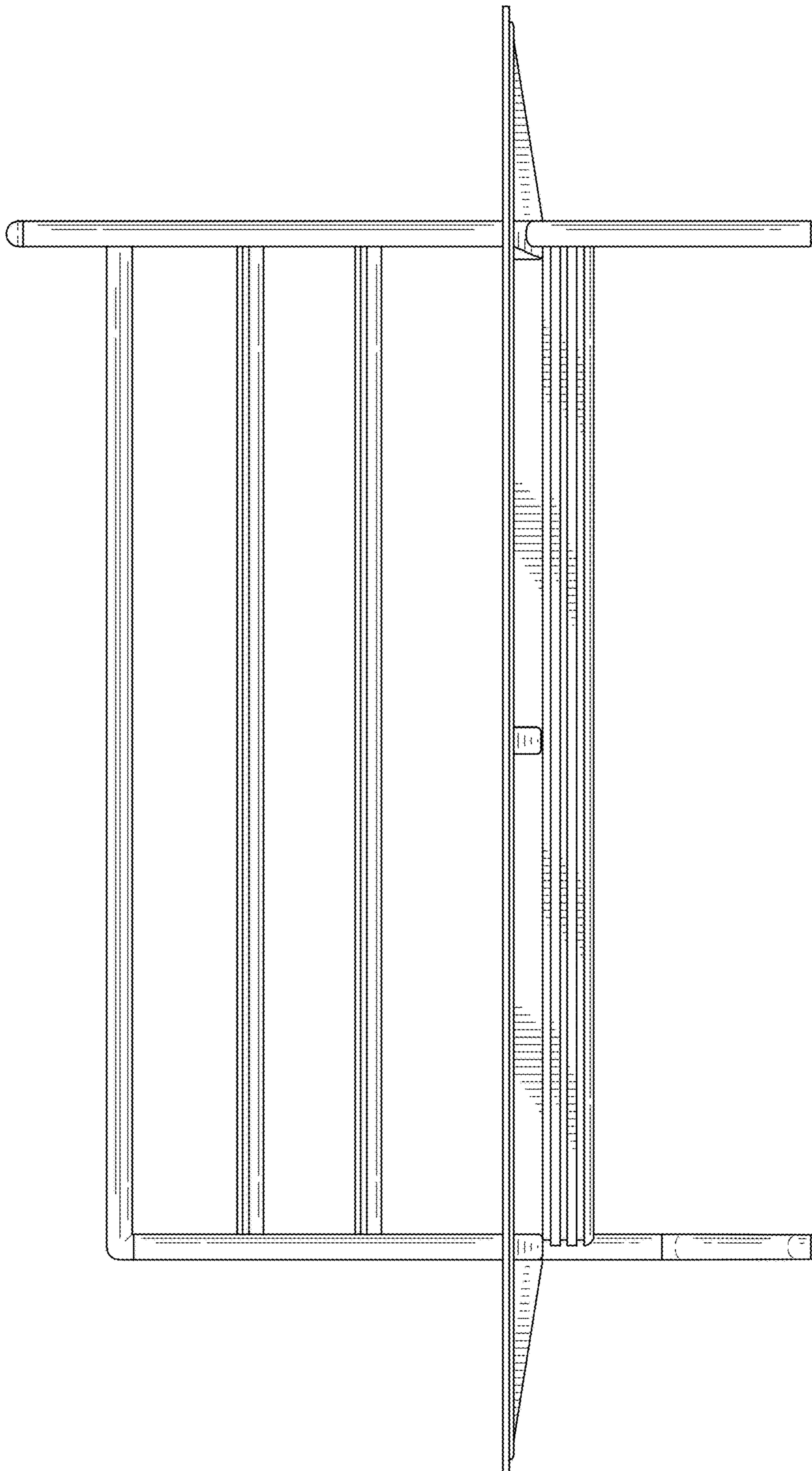


FIG. 2

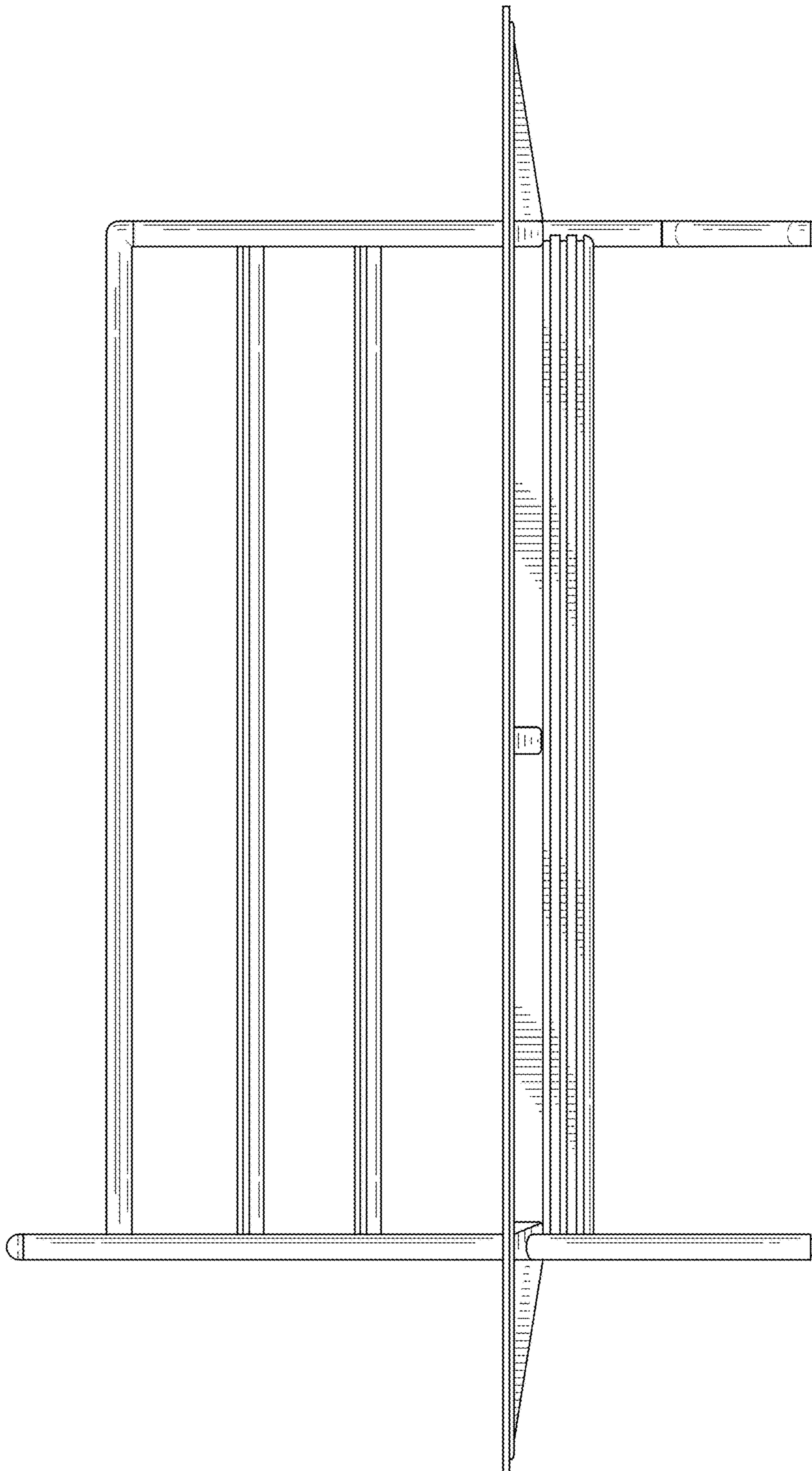


FIG. 3

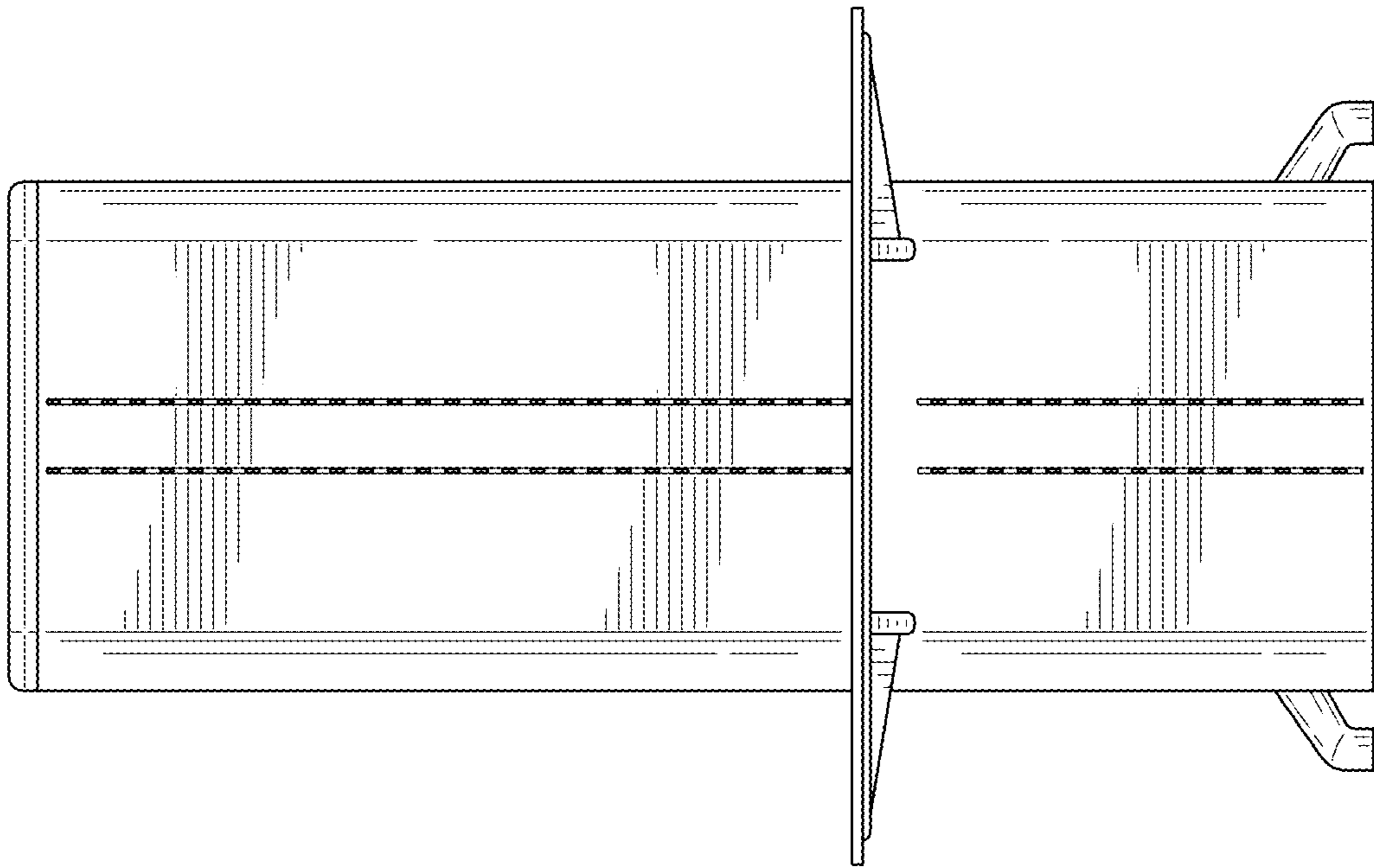


FIG. 5

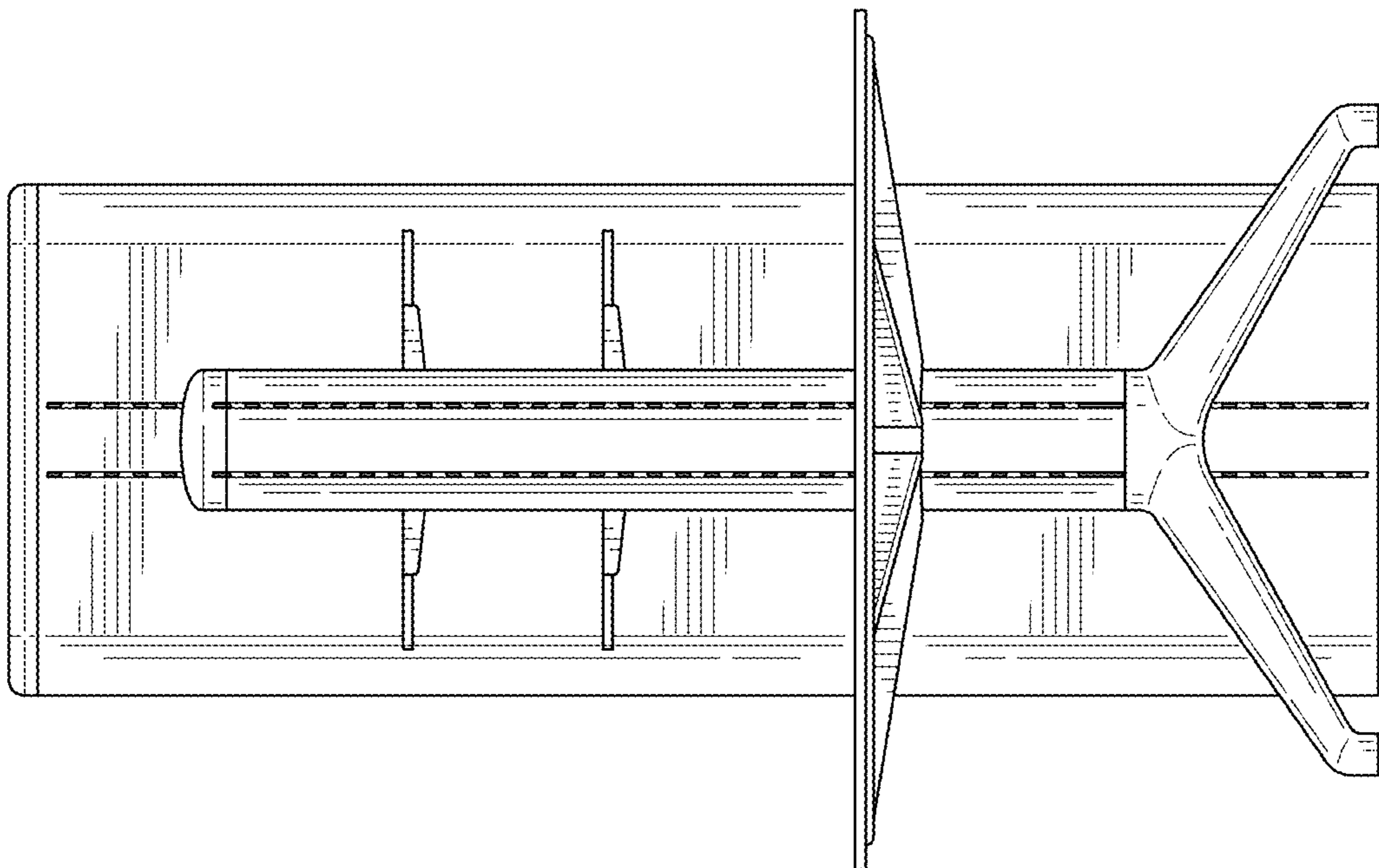


FIG. 4

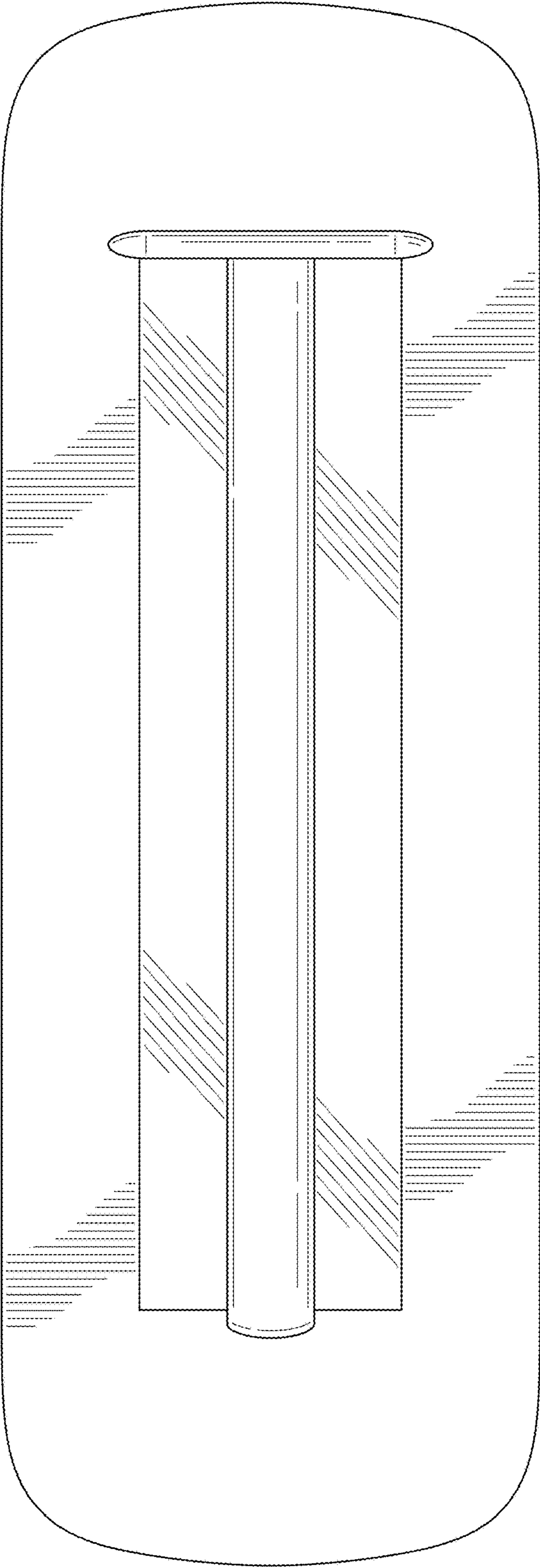


FIG. 6

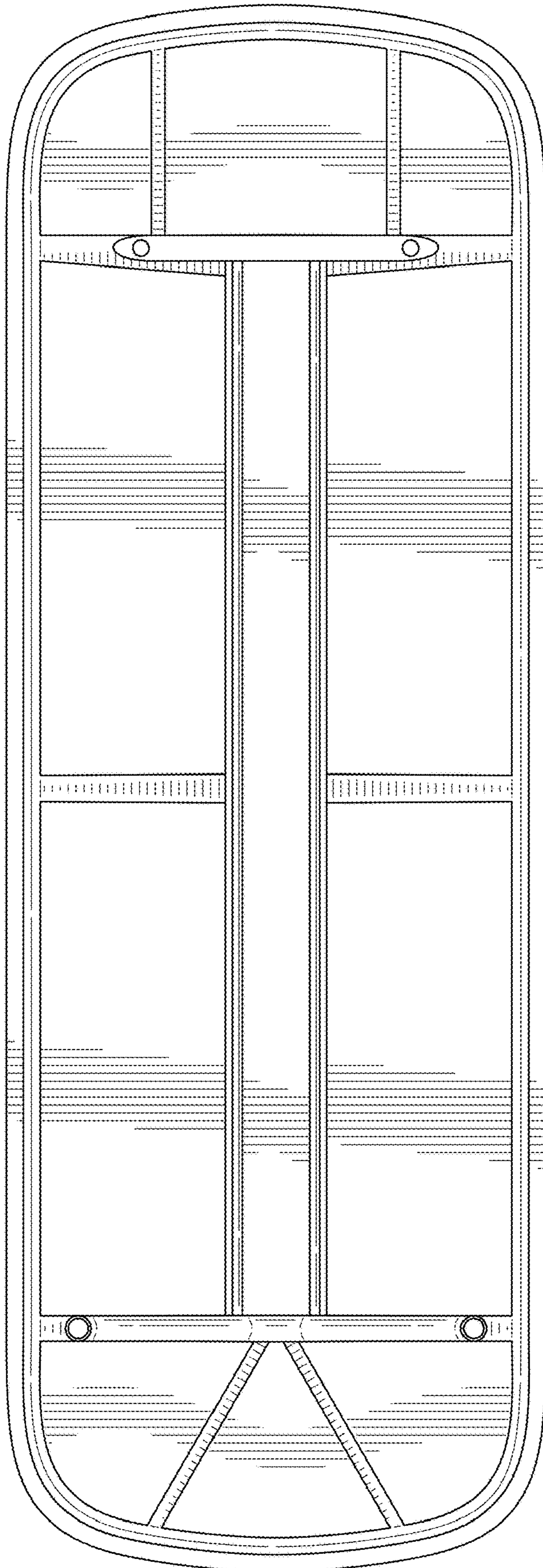


FIG. 7