



US00D918418S

(12) **United States Design Patent** (10) **Patent No.:** **US D918,418 S**
Apotheloz (45) **Date of Patent:** **** May 4, 2021**

(54) **LABORATORY DEVICE**
(71) Applicant: **TECAN TRADING AG**, Mannedorf (CH)
(72) Inventor: **Christophe Apotheloz**, Gockhausen (CH)
(73) Assignee: **TECAN TRADING AG**, Mannedorf (CH)

(**) Term: **15 Years**

(21) Appl. No.: **29/686,325**

(22) Filed: **Apr. 3, 2019**

(30) **Foreign Application Priority Data**

Oct. 10, 2018 (CH) 144428

(51) **LOC (13) Cl.** **24-01**

(52) **U.S. Cl.**
USPC **D24/232**

(58) **Field of Classification Search**
USPC D24/107, 185, 186, 216-219, 231-234; D10/81
CPC G01N 2035/00306; G01N 2035/00326; G01N 2035/00336; G01N 2030/027; G01N 21/76
See application file for complete search history.

(56) **References Cited**

U.S. PATENT DOCUMENTS

D472,645 S * 4/2003 Roepke D24/234
6,582,292 B1 * 6/2003 Bastian B08B 15/023
454/56

D652,947 S * 1/2012 Philipak D24/216
D690,023 S * 9/2013 Chang D24/216
D693,020 S * 11/2013 Degn D24/216
D716,966 S * 11/2014 Lizari Illarramendi D24/232
D882,114 S * 4/2020 Erb D24/232
2012/0318402 A1 * 12/2012 Aguerre B65B 3/04
141/2

OTHER PUBLICATIONS

CleanRoom Technology—Bigneat will be demonstrating laboratory safety cabinets and workstations at Achema Jun. 5, 2015.*
Tecan—Tecan to Launch Fluent® Gx Automation Workstation for Use in Regulated Laboratories. Feb. 1, 2018.*

* cited by examiner

Primary Examiner — Anhdao Doan

(74) *Attorney, Agent, or Firm* — Notaro, Michalos & Zaccaria P.C.

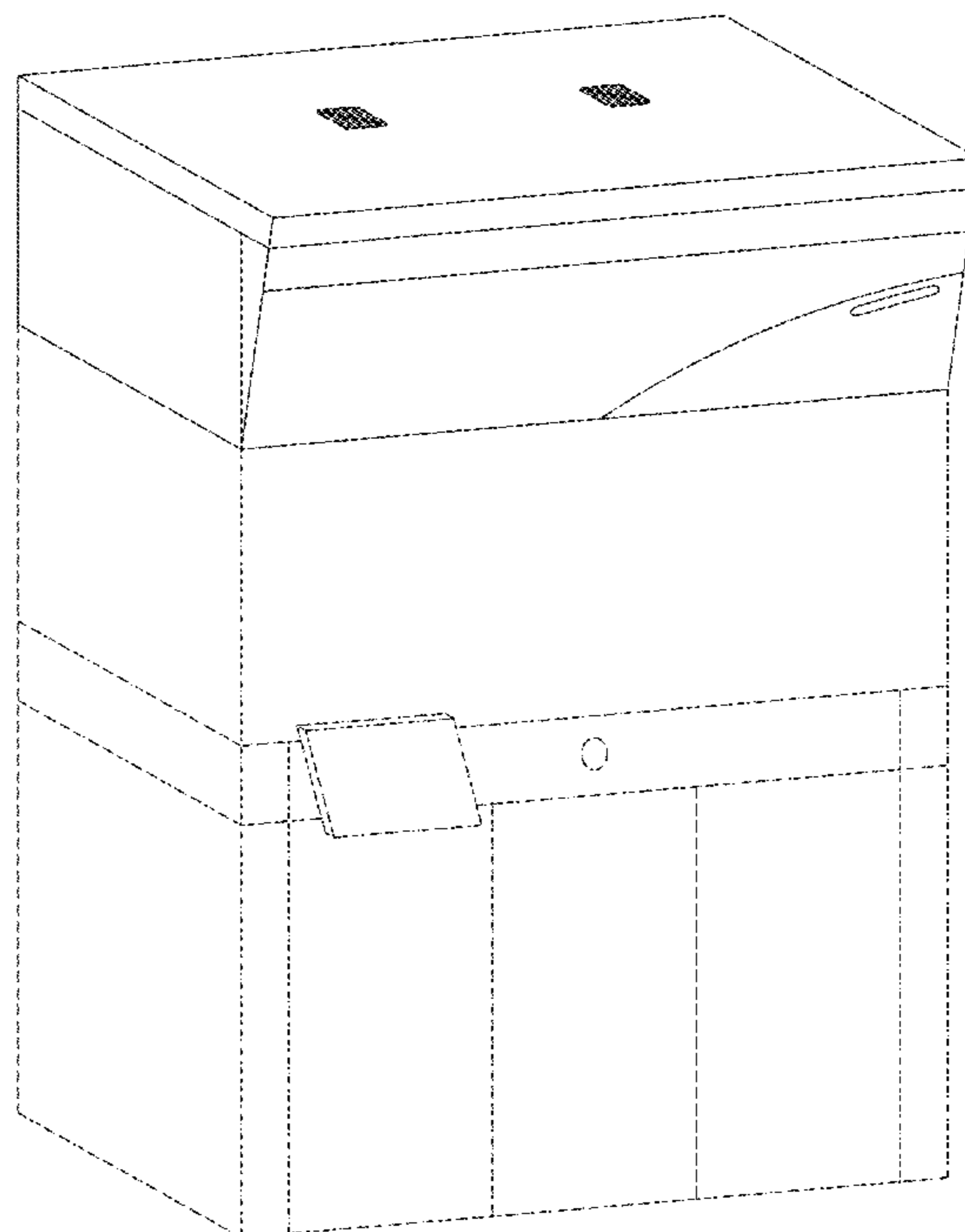
(57) **CLAIM**

The ornamental design for a laboratory device, as shown and described.

DESCRIPTION

FIG. 1 is a top, left, front perspective view of a Laboratory Device showing my new design therefor;
FIG. 2 is a front elevational view thereof;
FIG. 3 is a rear elevational view thereof;
FIG. 4 is a right side elevational view thereof;
FIG. 5 is a left side elevational view thereof;
FIG. 6 is a top plan view thereof; and,
FIG. 7 is a bottom plan view thereof.
The broken lines in the drawings are for the purposes of illustrating environment and form no part of the claimed design.

1 Claim, 7 Drawing Sheets



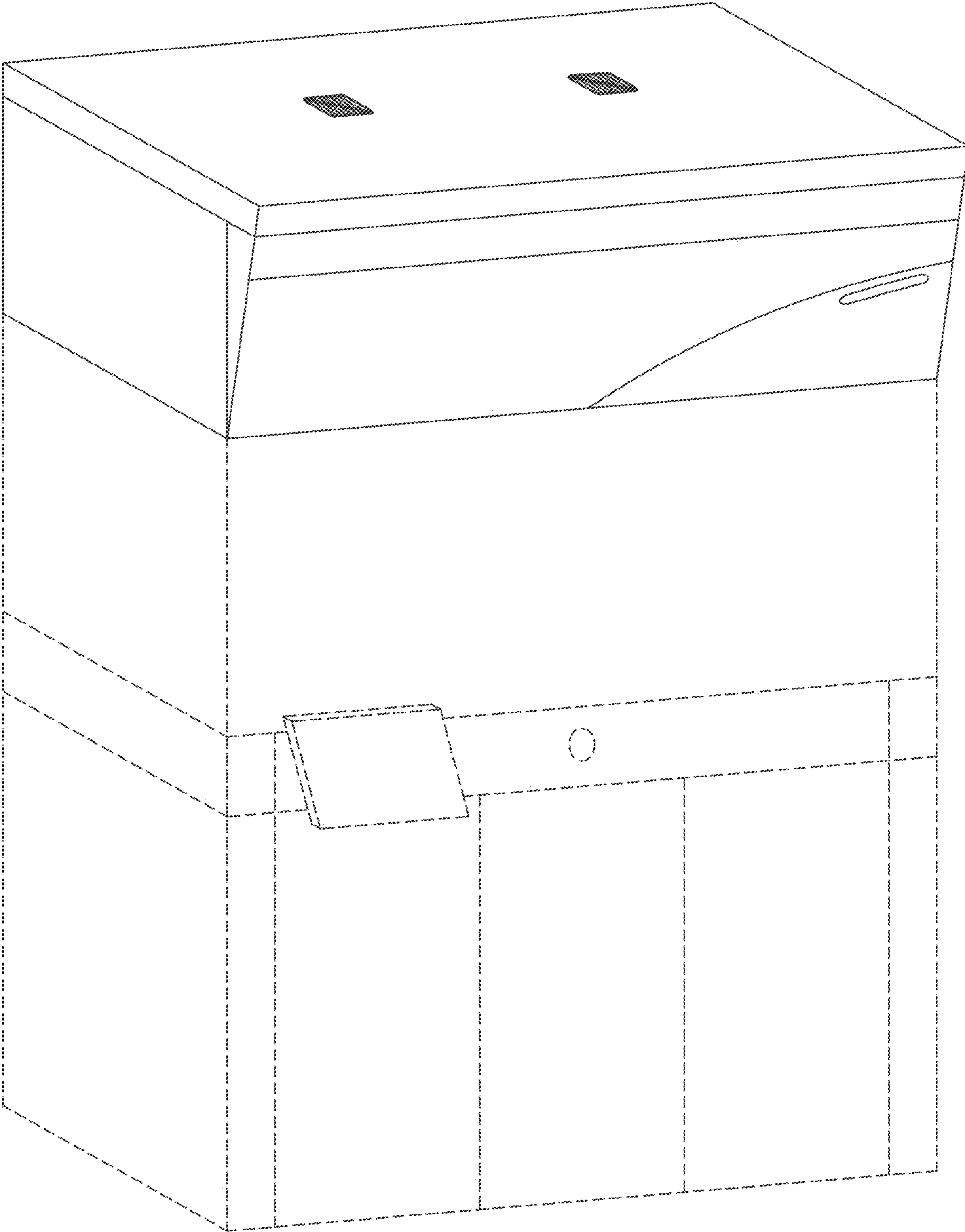


FIG. 1

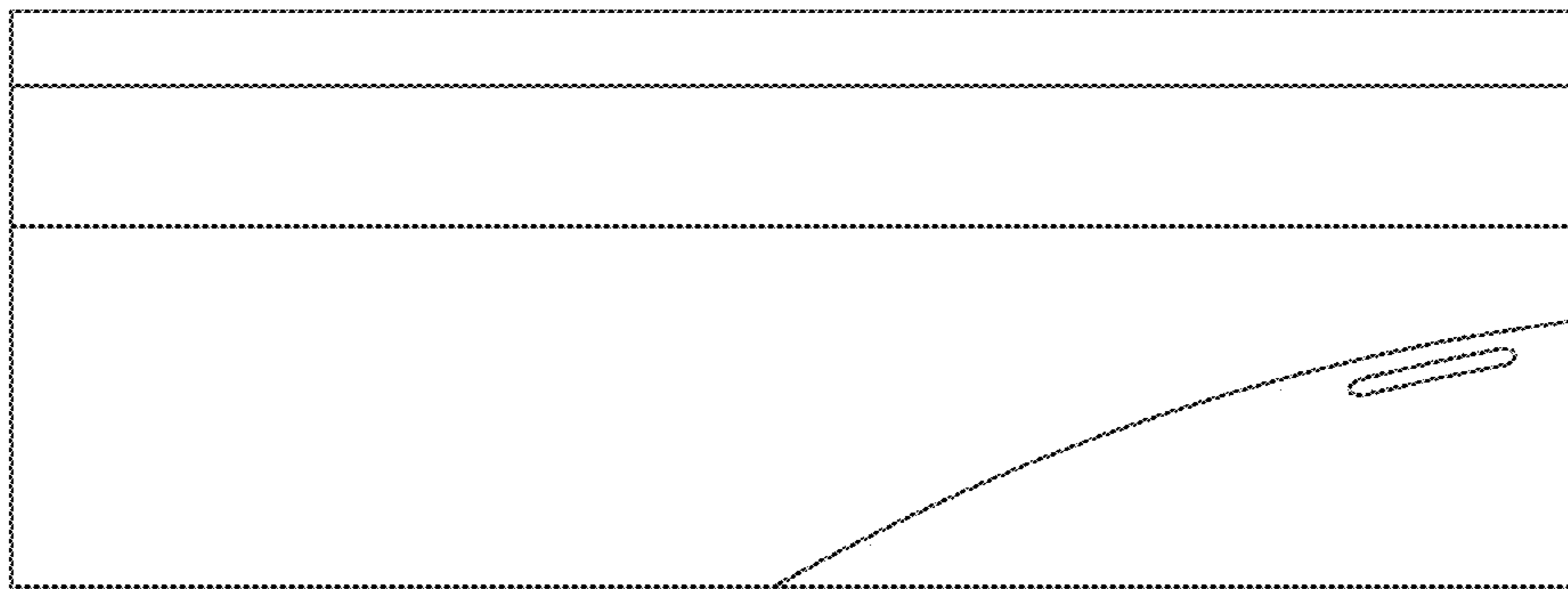


FIG. 2

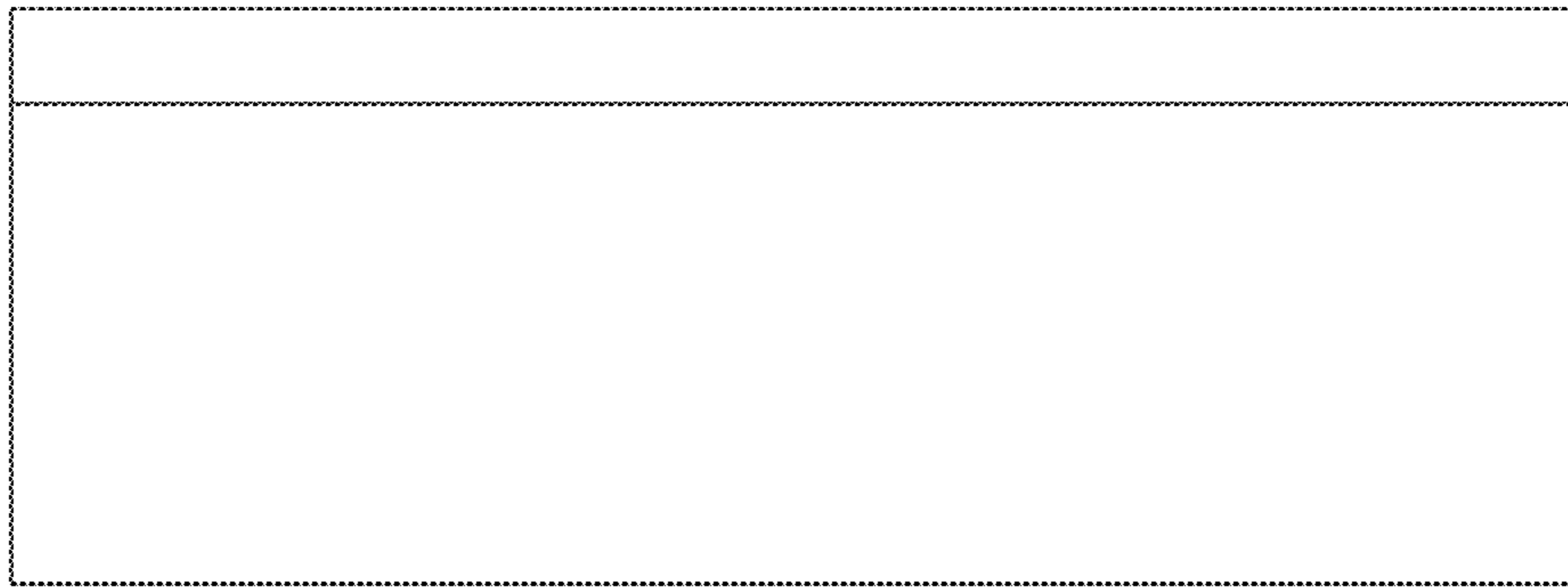


FIG. 3

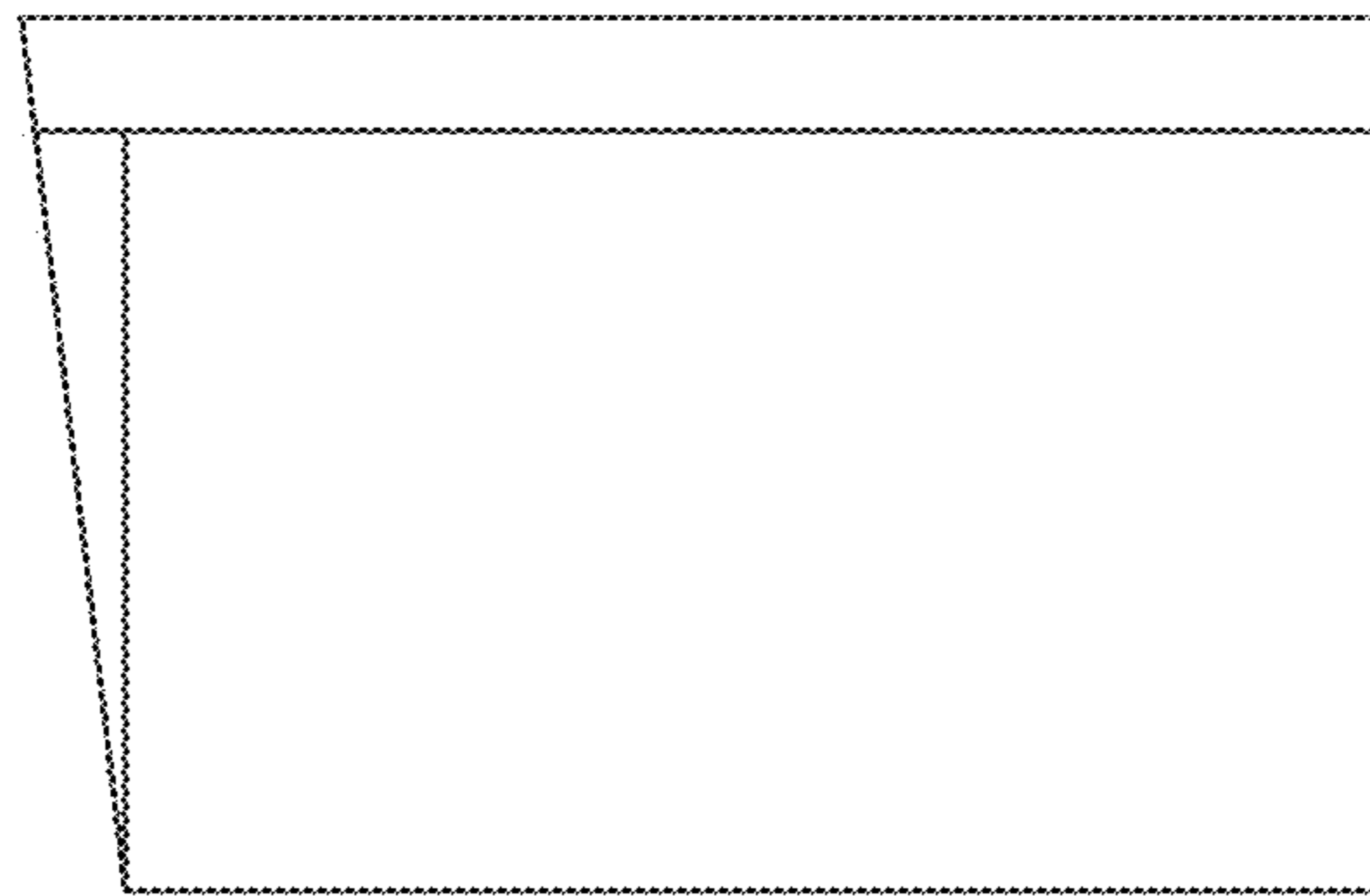


FIG. 4

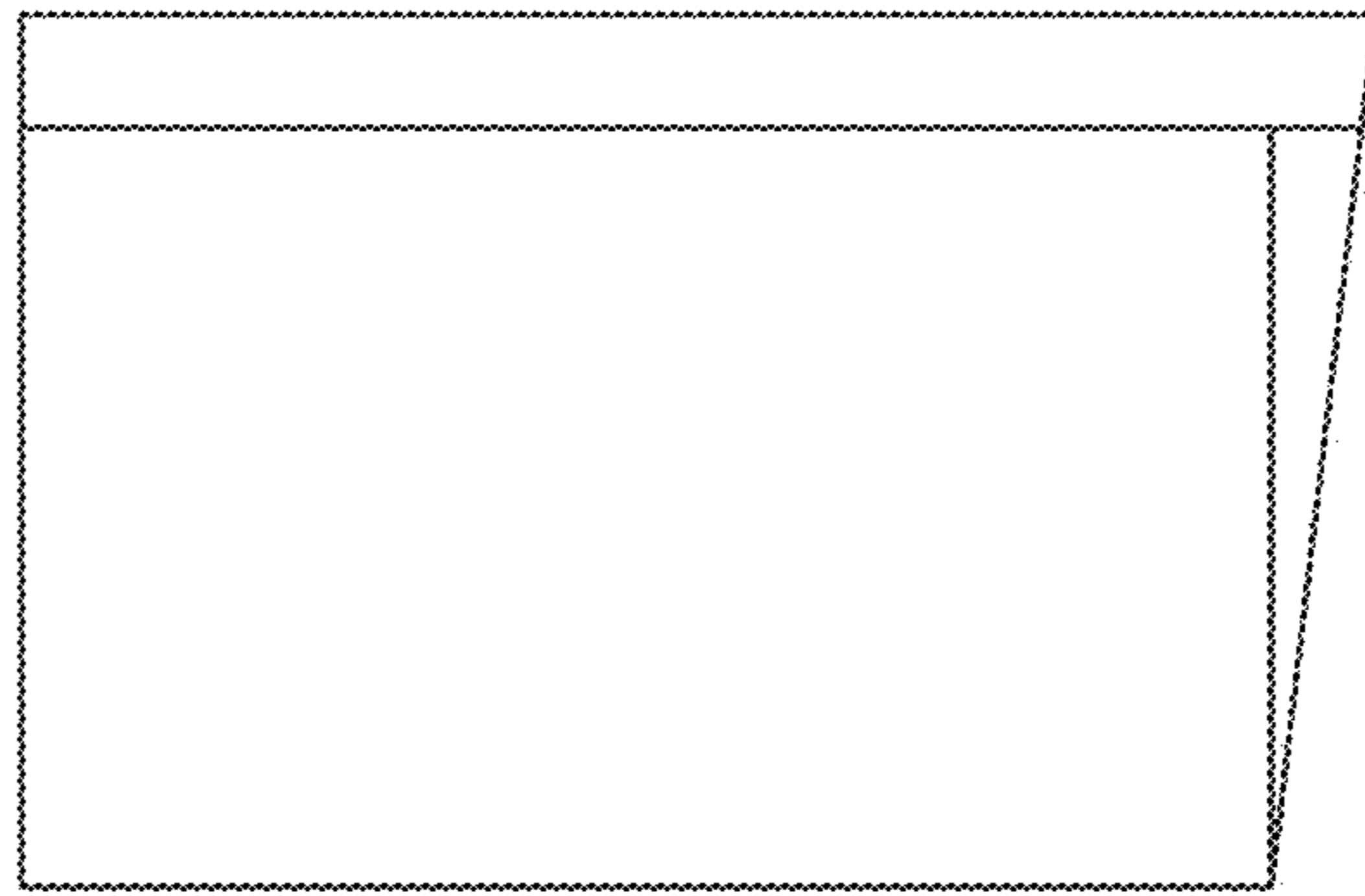


FIG. 5

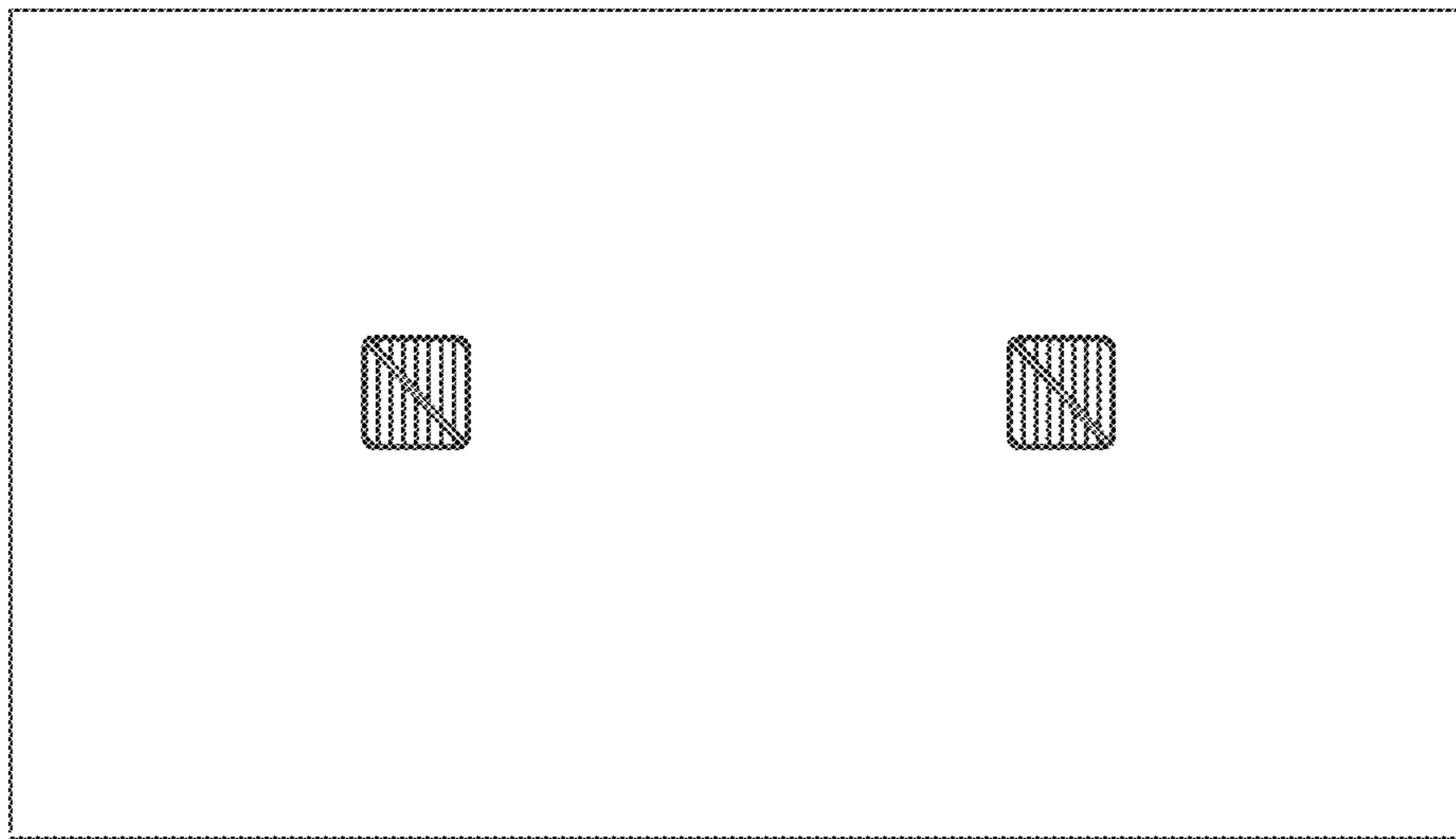


FIG. 6

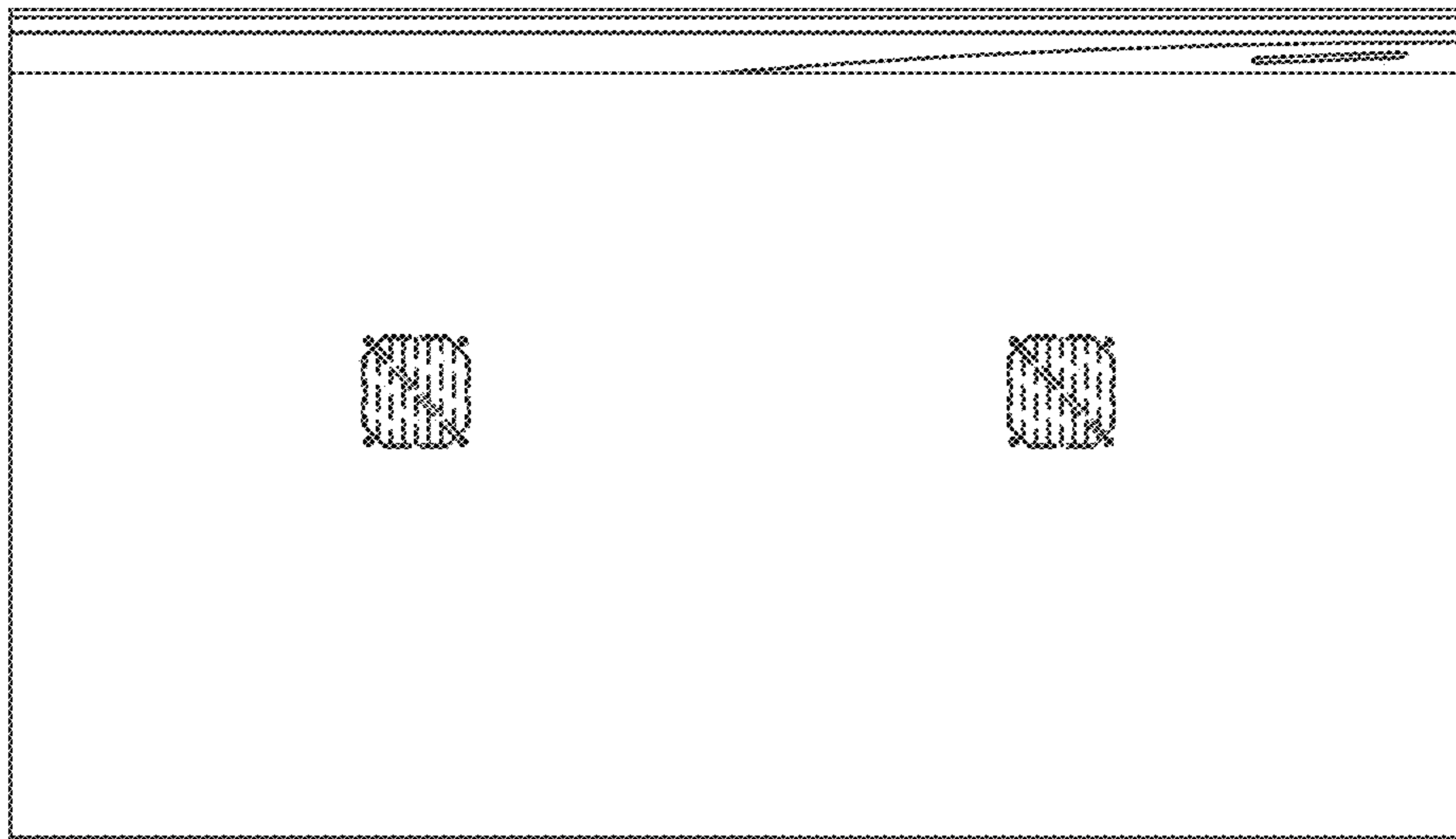


FIG. 7