



US00D918417S

(12) **United States Design Patent** (10) **Patent No.:** **US D918,417 S**  
**O'Mahony et al.** (45) **Date of Patent:** **\*\* May 4, 2021**

(54) **CARTRIDGE**

D808,039 S \* 1/2018 Self ..... D24/227  
D832,456 S \* 10/2018 Self ..... D24/224  
D838,380 S \* 1/2019 Self ..... D24/224  
2005/0226786 A1 \* 10/2005 Hager ..... B01L 3/50255  
422/400

(71) Applicant: **Inventia Life Science Pty Ltd,**  
Alexandria (AU)

(72) Inventors: **Aidan Patrick O'Mahony,** Mascot  
(AU); **Samuel James Myers,** Kingsford  
(AU); **William Wen-Feng Lim,** Gordon  
(AU); **Andrew Sexton,** Coogee (AU);  
**Julio Cesar Caldeira Ribeiro,**  
Waterloo (AU)

FOREIGN PATENT DOCUMENTS

KR 3020180009767 \* 2/2018

(73) Assignee: **Inventia Life Science Pty Ltd,**  
Alexandria (AU)

OTHER PUBLICATIONS

Interview with co-founder and CEO of Inventia Life Science—Fast Company World Changing Ideas Award. Online, published date May 6, 2020. Retrieved on Jul. 5, 2020 from URL: <https://www.youtube.com/watch?v=UzmVvnlhKpE>.\*

(\*\*) Term: **15 Years**

\* cited by examiner

(21) Appl. No.: **29/693,837**

*Primary Examiner* — Susan Bennett Hattan

(22) Filed: **Jun. 5, 2019**

*Assistant Examiner* — Omeed Agilee

(51) **LOC (13) Cl.** ..... **24-02**

(74) *Attorney, Agent, or Firm* — Morgan, Lewis & Bockius LLP

(52) **U.S. Cl.**  
USPC ..... **D24/229**

(57) **CLAIM**

(58) **Field of Classification Search**  
USPC ..... D24/216, 223–230; D3/203.1, 203.3  
CPC ..... A61B 5/150343; B01D 9/00; B01L 3/06;  
B01L 3/502; B01L 3/5025

The ornamental design for a cartridge, as shown and described.

**DESCRIPTION**

See application file for complete search history.

FIG. 1 is a top front isometric view of a cartridge according to the present disclosure;  
FIG. 2 is a bottom rear isometric view thereof;  
FIG. 3 is a top view thereof;  
FIG. 4 is a bottom view thereof;  
FIG. 5 is front view thereof;  
FIG. 6 is a rear view thereof;  
FIG. 7 is a left side view thereof; and,  
FIG. 8 is a right side view thereof.

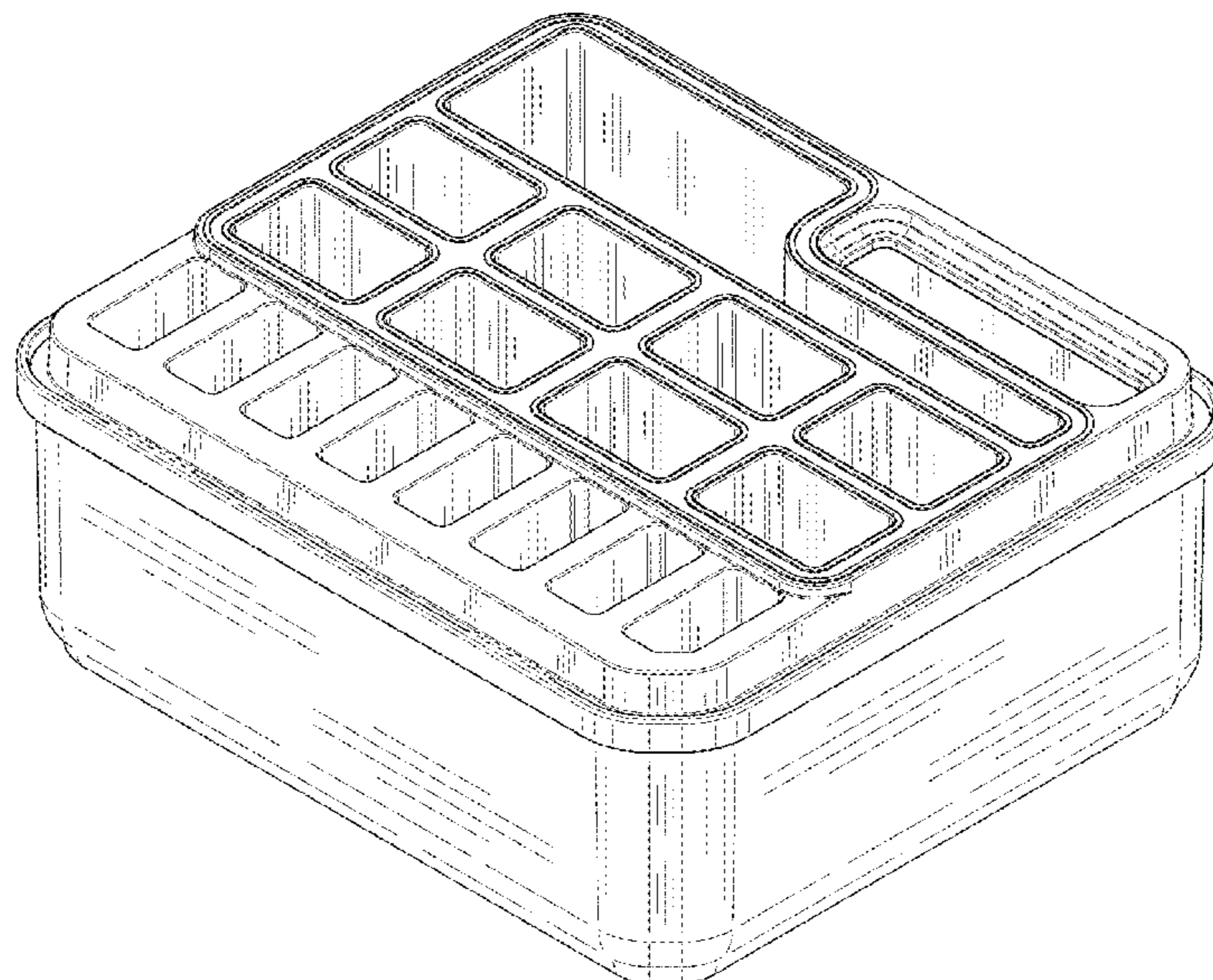
The broken lines depict portions of the cartridge that form no part of the claimed design. The dot-dash-dot broken lines depict the boundaries of the claim and form no part thereof.

(56) **References Cited**

U.S. PATENT DOCUMENTS

D224,671 S \* 8/1972 Eddy ..... D24/229  
D242,654 S \* 12/1976 Rawls ..... D24/229  
D252,105 S \* 6/1979 Baxter ..... D24/226  
D252,106 S \* 6/1979 Baxter ..... D24/226  
D264,245 S \* 5/1982 Olsen ..... D24/229  
D297,914 S \* 10/1988 Goodman ..... D9/415  
D534,658 S \* 1/2007 Bargh ..... D24/229  
D672,395 S \* 12/2012 Chuang ..... D19/77  
D767,409 S \* 9/2016 Nickell ..... D9/737  
D786,448 S \* 5/2017 Ohsaka ..... D24/224

**1 Claim, 6 Drawing Sheets**



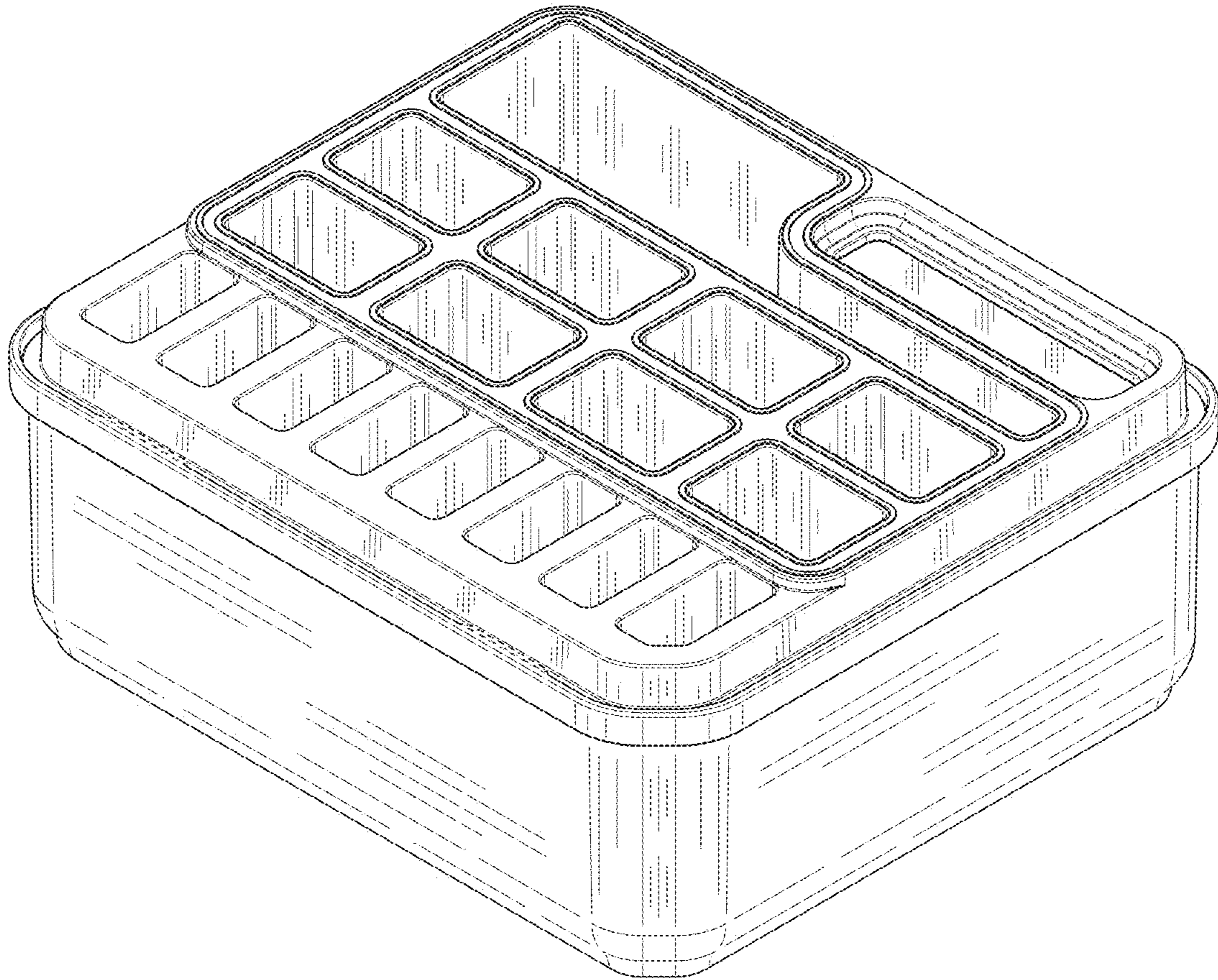


FIG. 1

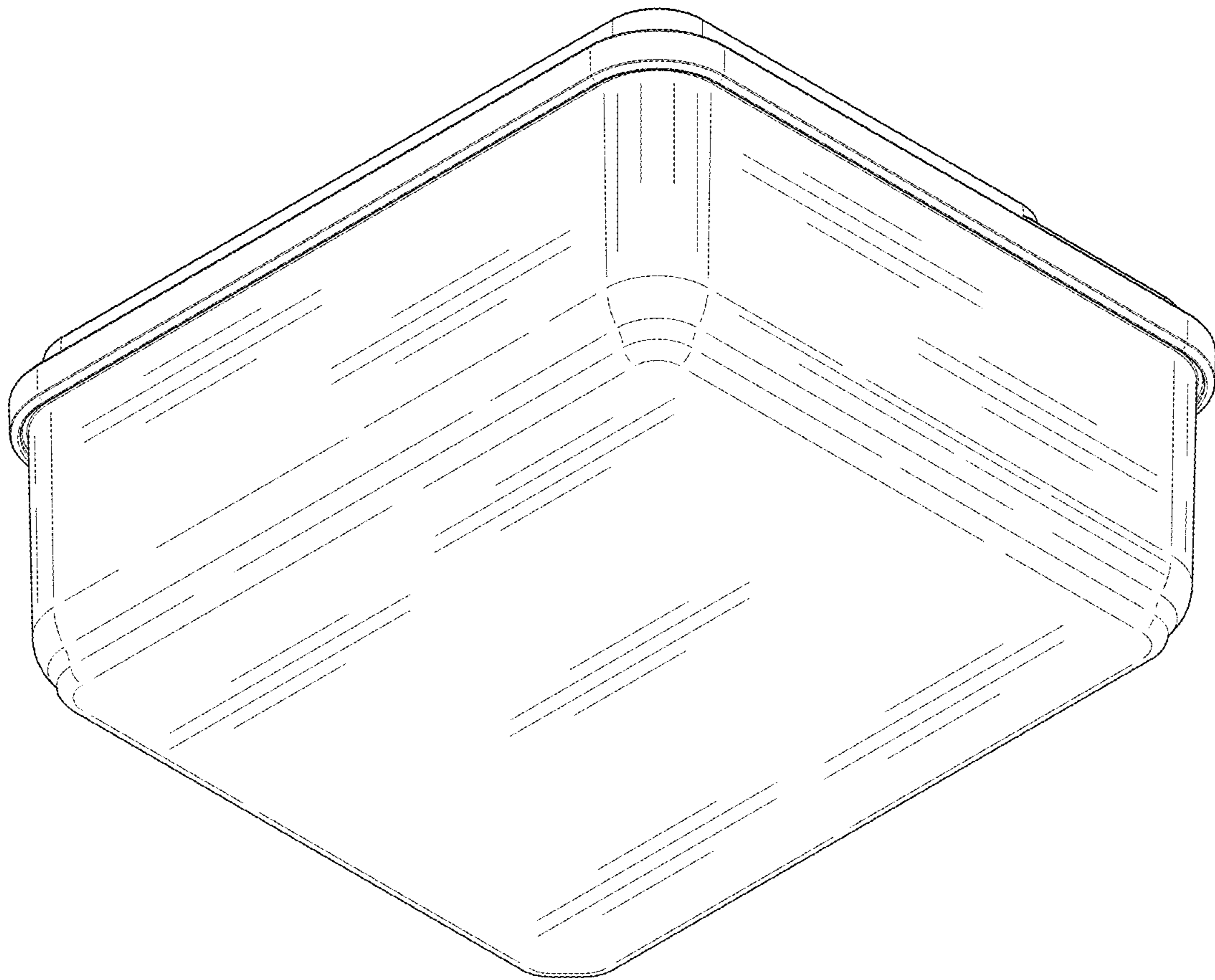


FIG. 2

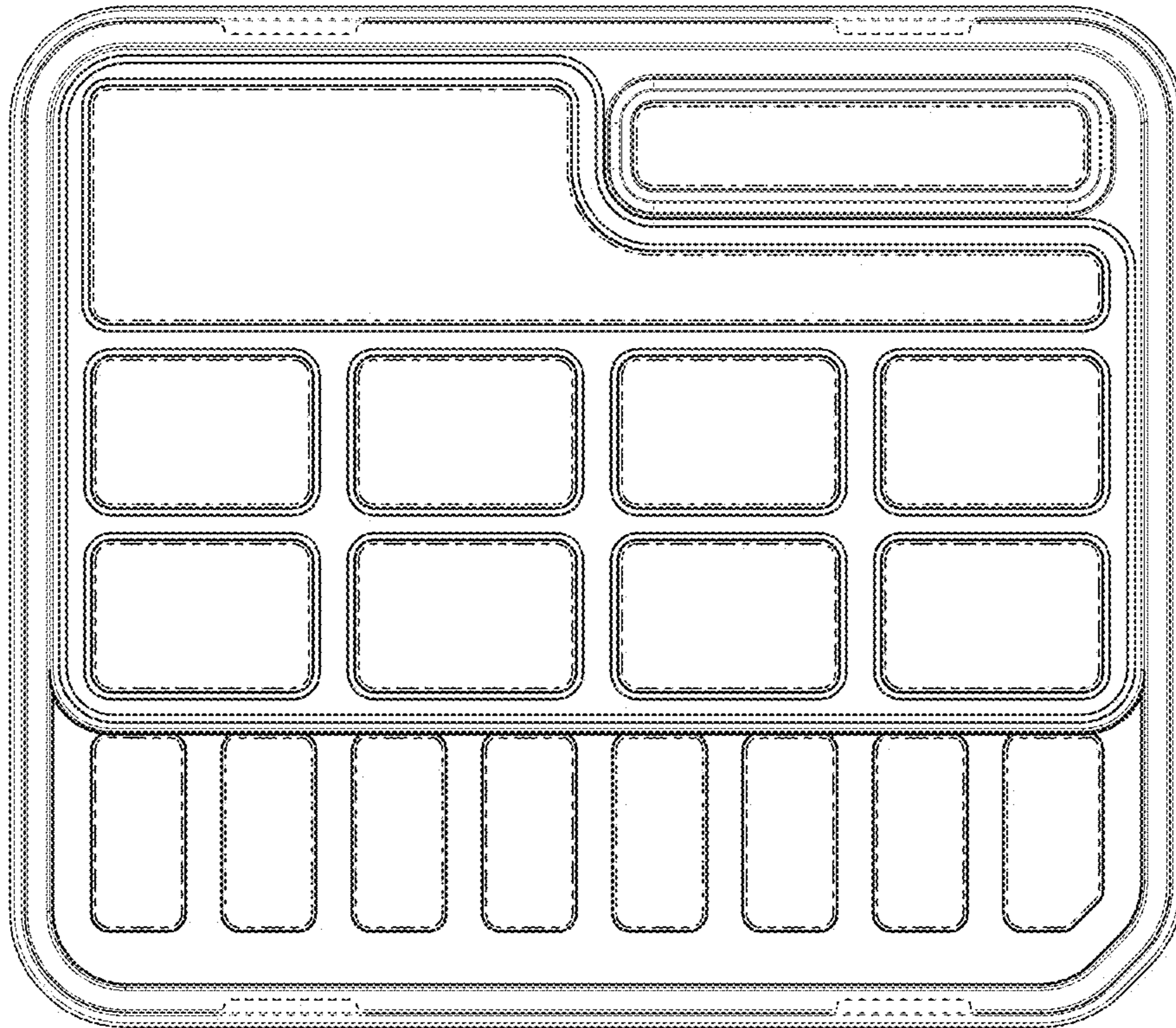


FIG. 3

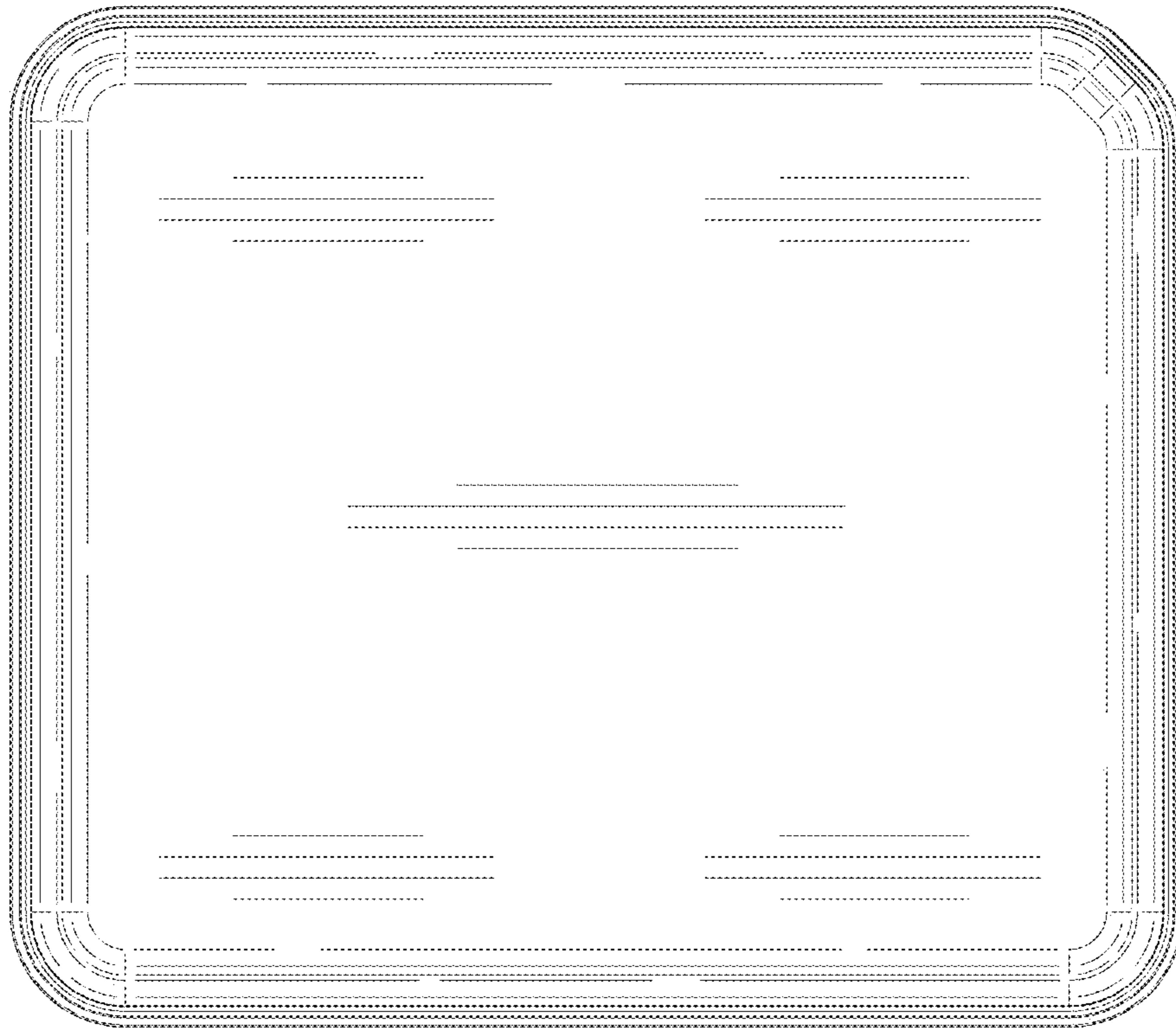


FIG. 4

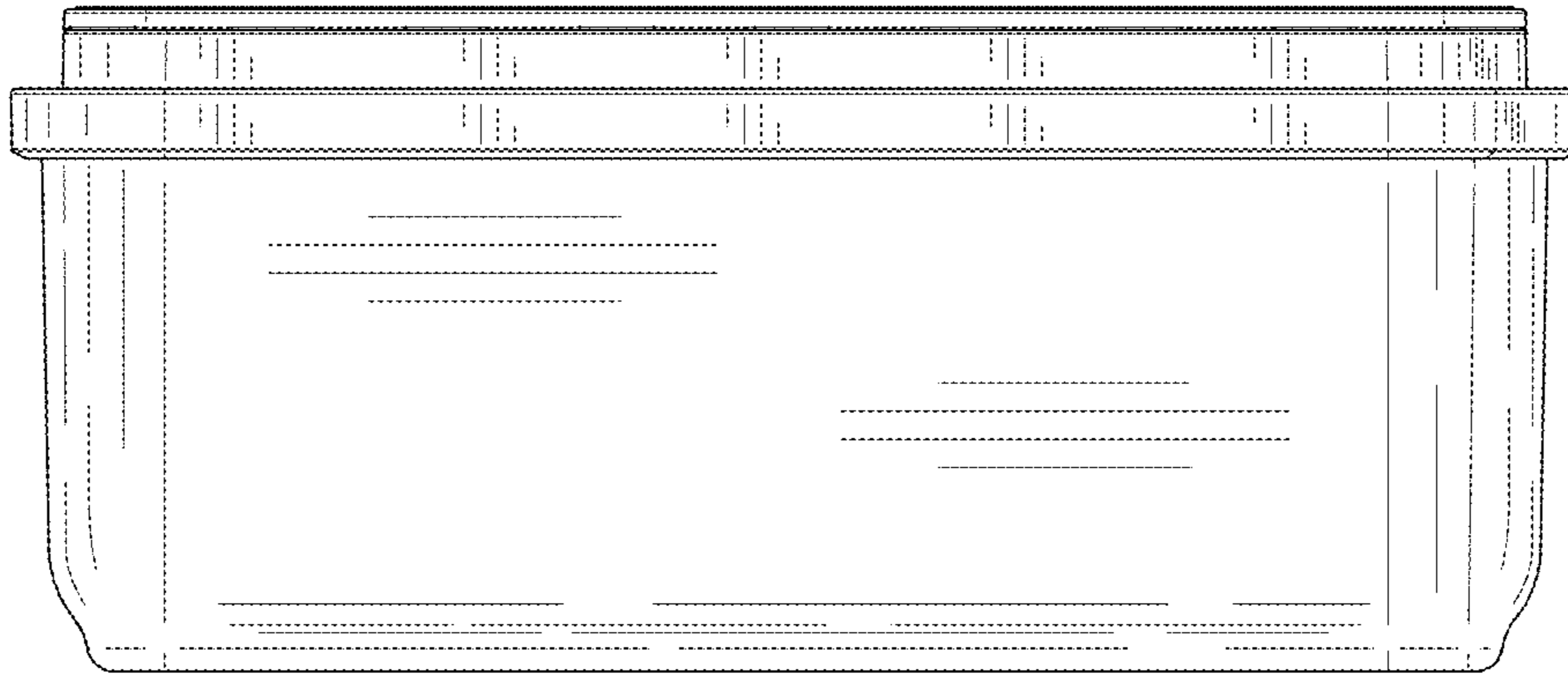


FIG. 5

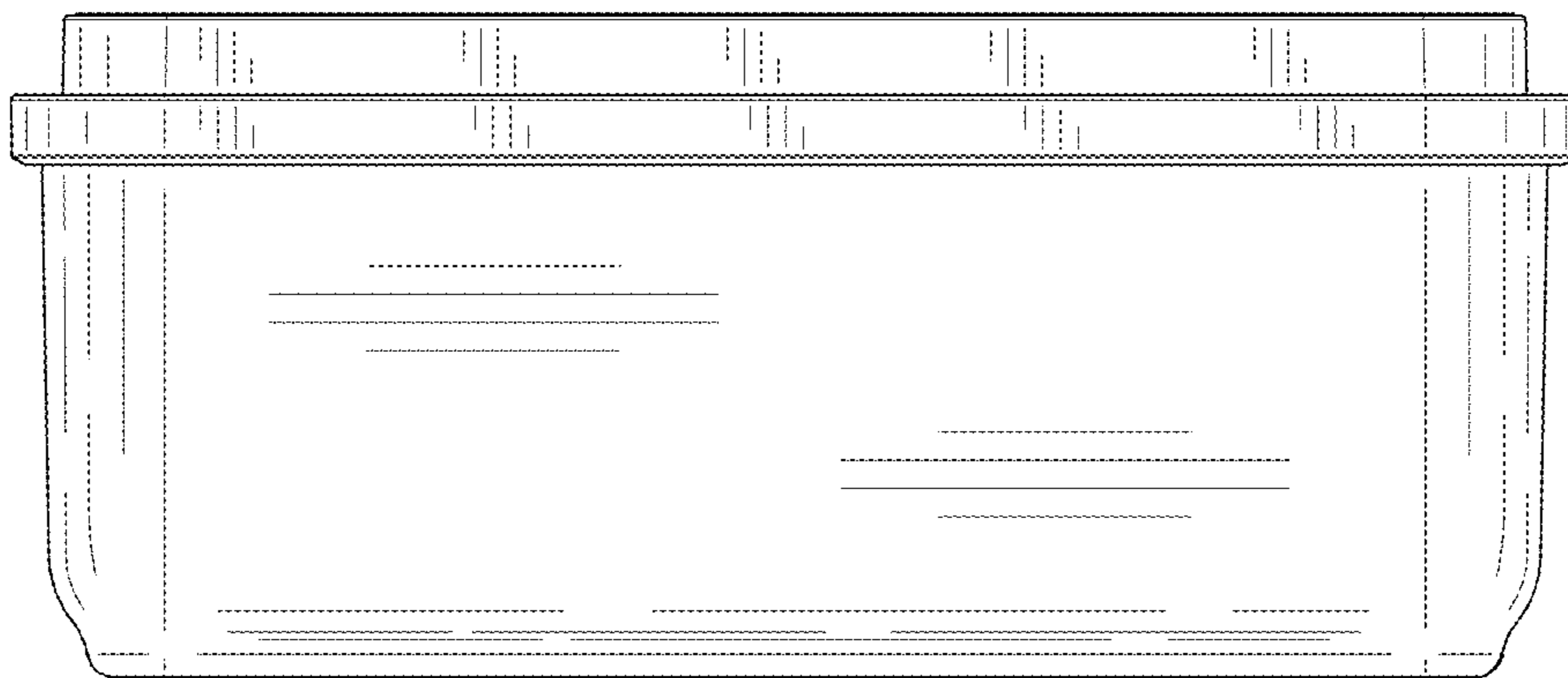


FIG. 6

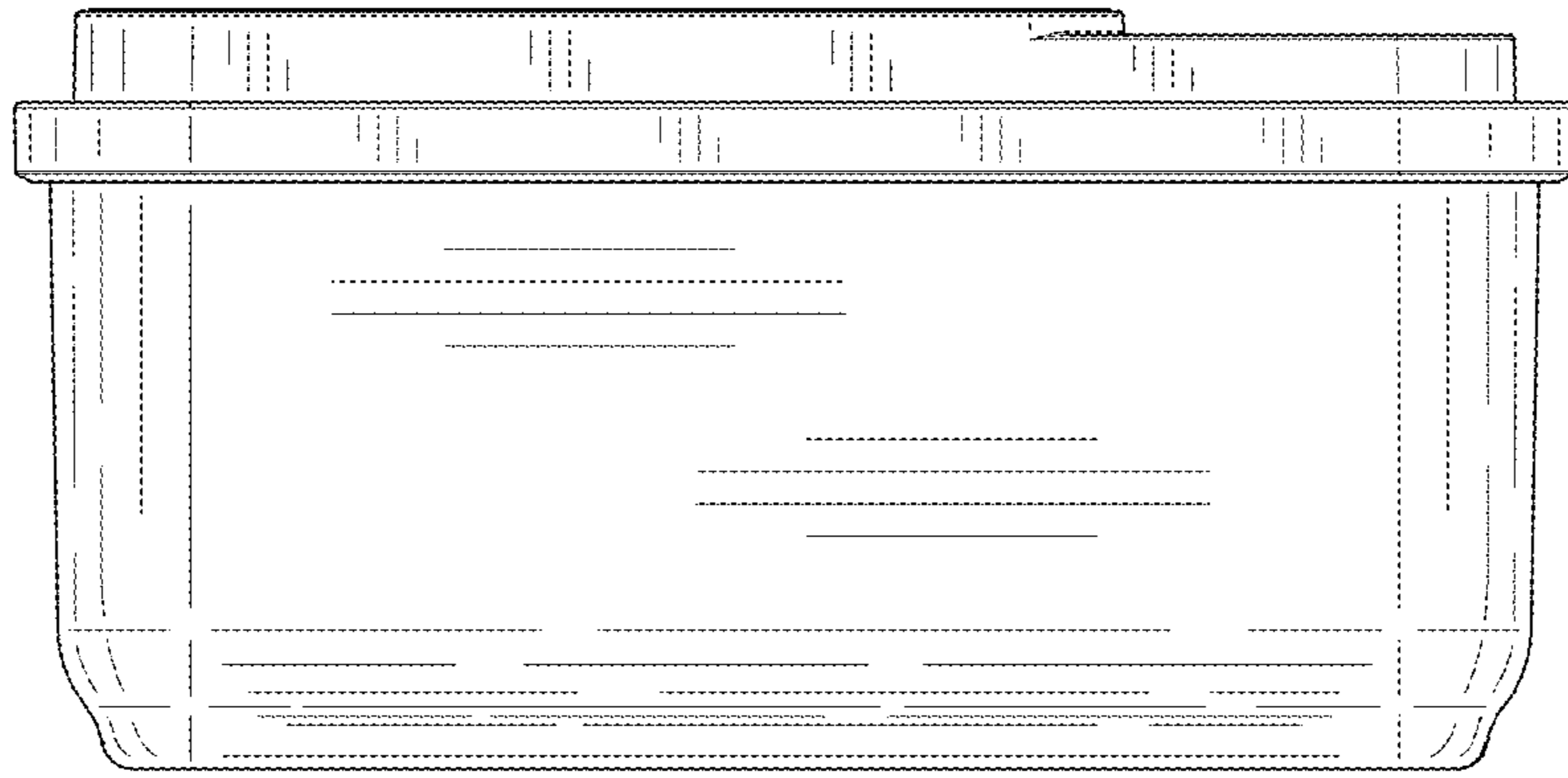


FIG. 7

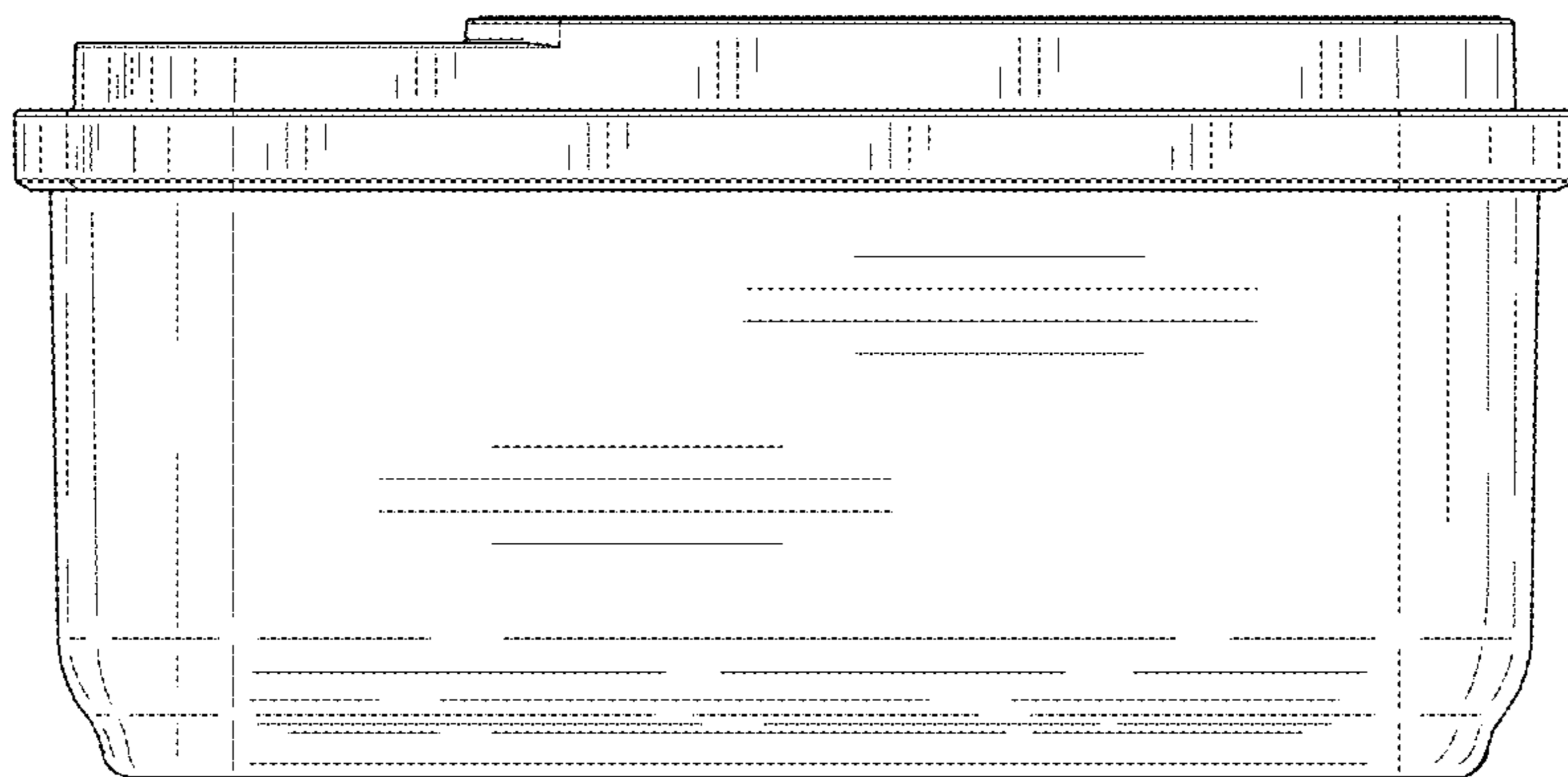


FIG. 8