



US00D918412S

(12) **United States Design Patent**
Hong et al.

(10) **Patent No.:** **US D918,412 S**

(45) **Date of Patent:** **** May 4, 2021**

(54) **CAP FOR COVERING A COLLECTING OR TEST CUP**

(71) Applicant: **Hangzhou Biotest Biotech Co., Ltd.**, Hangzhou (CN)

(72) Inventors: **Liang Hong**, Hangzhou (CN); **John Wu**, San Diego, CA (US); **Yangyu Zhu**, San Diego, CA (US)

(73) Assignee: **Hangzhou Biotest Biotech Co., LTD.**, Hangzhou (CN)

(**) Term: **15 Years**

(21) Appl. No.: **29/674,971**

(22) Filed: **Dec. 27, 2018**

(30) **Foreign Application Priority Data**

Jun. 29, 2018 (CN) 201830352564.0

(51) **LOC (13) Cl.** **24-02**

(52) **U.S. Cl.**
USPC **D24/224**

(58) **Field of Classification Search**
USPC D24/121–123, 117, 224; 604/329, 317, 604/318, 334; 600/573, 574; 4/450–460, 4/144.1–144.4, DIG. 5; D7/509–511, D7/523, 529–539, 392.1, 396.2, 309, 305, D7/900, 321, 700; D9/525, 503, 435, D9/440, 445, 447, 449, 450, 716, 524, D9/441, 431
CPC A61G 9/006; A61G 9/003
See application file for complete search history.

(56) **References Cited**

U.S. PATENT DOCUMENTS

D339,524 S * 9/1993 Morris, Sr. D9/435
D400,005 S * 10/1998 Wolff D7/612

D401,697 S * 11/1998 Cloonan D24/224
D409,914 S * 5/1999 Mark D24/152
6,244,311 B1 * 6/2001 Hand A61M 1/0001
141/330
6,363,932 B1 * 4/2002 Forchione A61M 15/0016
128/203.12
6,572,827 B2 * 6/2003 Wilkinson B01L 3/502
141/1
D610,700 S * 2/2010 Khoury D24/121
D622,547 S * 8/2010 Carreno D7/510
D690,826 S * 10/2013 Kuroda D24/224
D704,510 S * 5/2014 Mason D7/510
D705,059 S * 5/2014 Hutchison D9/447

(Continued)

Primary Examiner — Nathan M Johnston

(74) *Attorney, Agent, or Firm* — Thomas Horstemeyer, LLP

(57) **CLAIM**

The ornamental design for the cap for covering a collecting or test cup, as shown and described.

DESCRIPTION

FIG. 1 is a front view of an embodiment of the cap for covering a collecting or test cup according to the present design;

FIG. 2 is a back view of the cap for covering a collecting or test cup of FIG. 1;

FIG. 3 is a top view of the cap for covering a collecting or test cup of FIG. 1;

FIG. 4 is a bottom view of the cap for covering a collecting or test cup of FIG. 1;

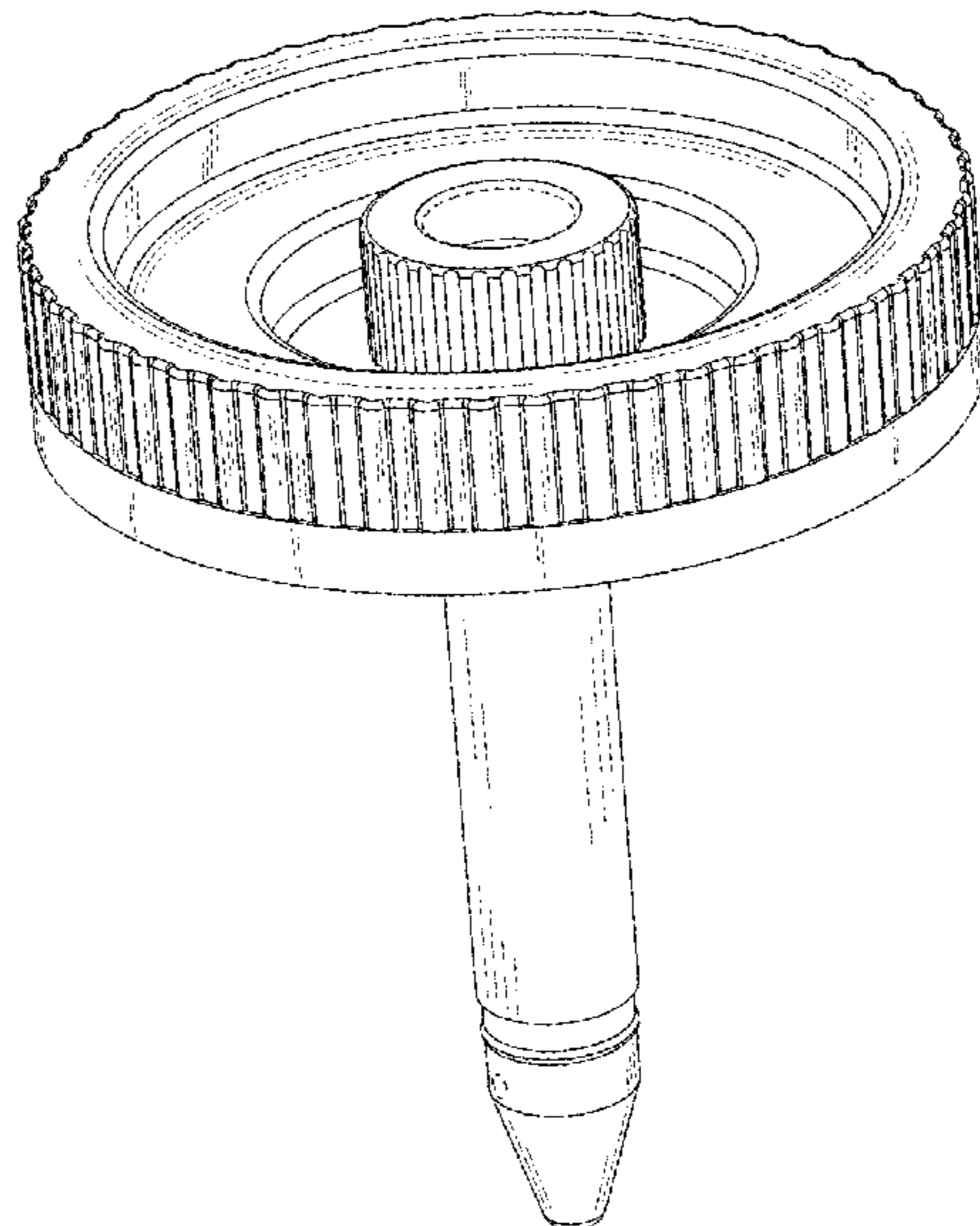
FIG. 5 is a right view of the cap for covering a collecting or test cup of FIG. 1;

FIG. 6 is a left view of the cap for covering a collecting or test cup of FIG. 1; and,

FIG. 7 is a perspective view of the cap for covering a collecting or test cup of FIG. 1.

The broken lines in the Figures constitute unclaimed subject matter.

1 Claim, 7 Drawing Sheets



(56)

References Cited

U.S. PATENT DOCUMENTS

D707,364 S * 6/2014 Spencer D24/224
D713,245 S * 9/2014 Taylor D9/436
D756,710 S * 5/2016 Beckman D7/510
D767,158 S * 9/2016 Wang D24/223
D797,303 S * 9/2017 Wan D24/224
D804,907 S * 12/2017 Sandoval D7/510
D814,239 S * 4/2018 Arora D7/510
D831,196 S * 10/2018 Fang D24/121
D833,006 S * 11/2018 Davis D24/129
D837,976 S * 1/2019 Kaye D24/121
D850,647 S * 6/2019 Jackson D24/224
D854,150 S * 7/2019 Carter D24/144
2016/0054202 A1 * 2/2016 Yong A61B 10/007
73/864.63
2019/0250075 A1 * 8/2019 Wu B01L 3/502

* cited by examiner

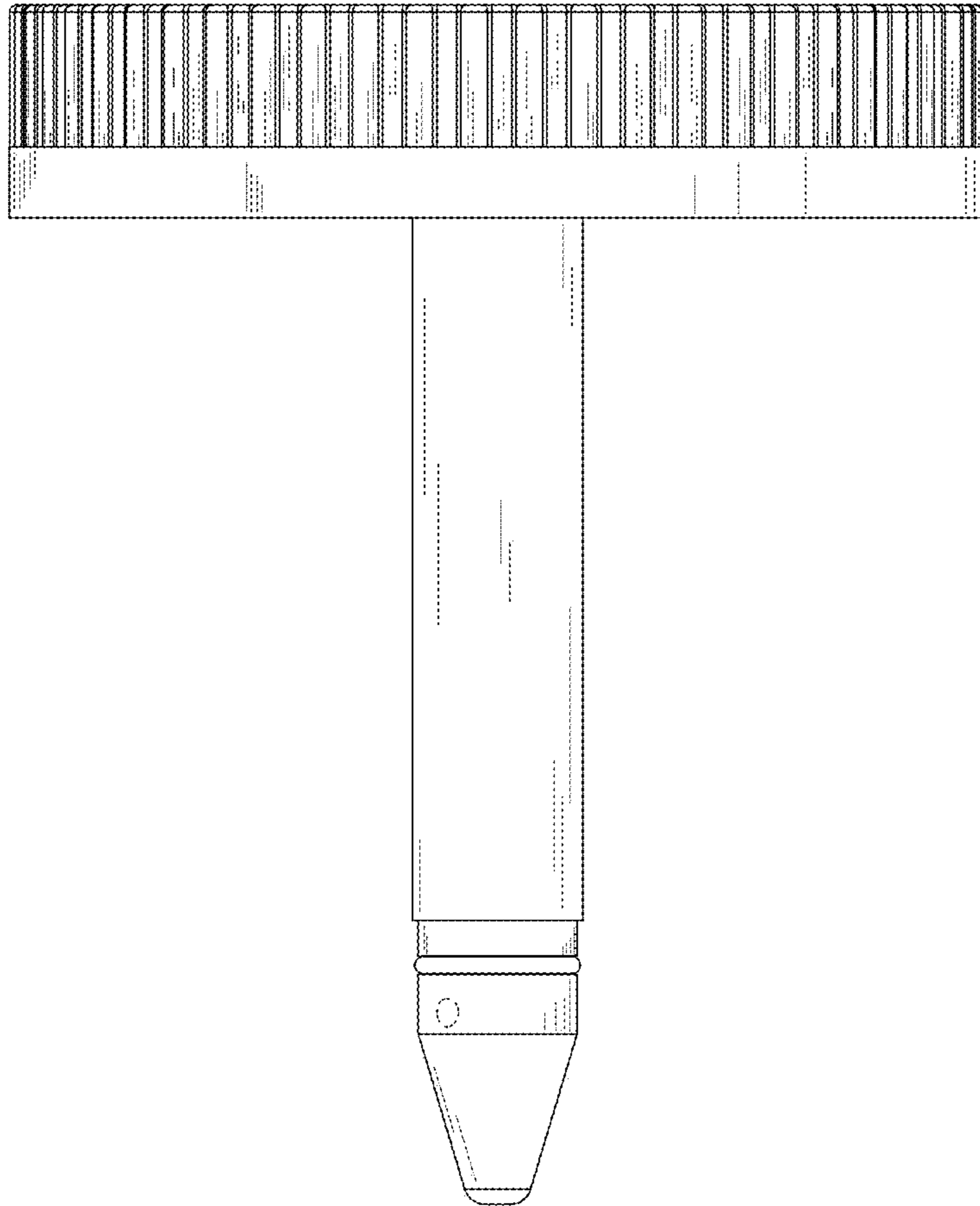


FIG. 1

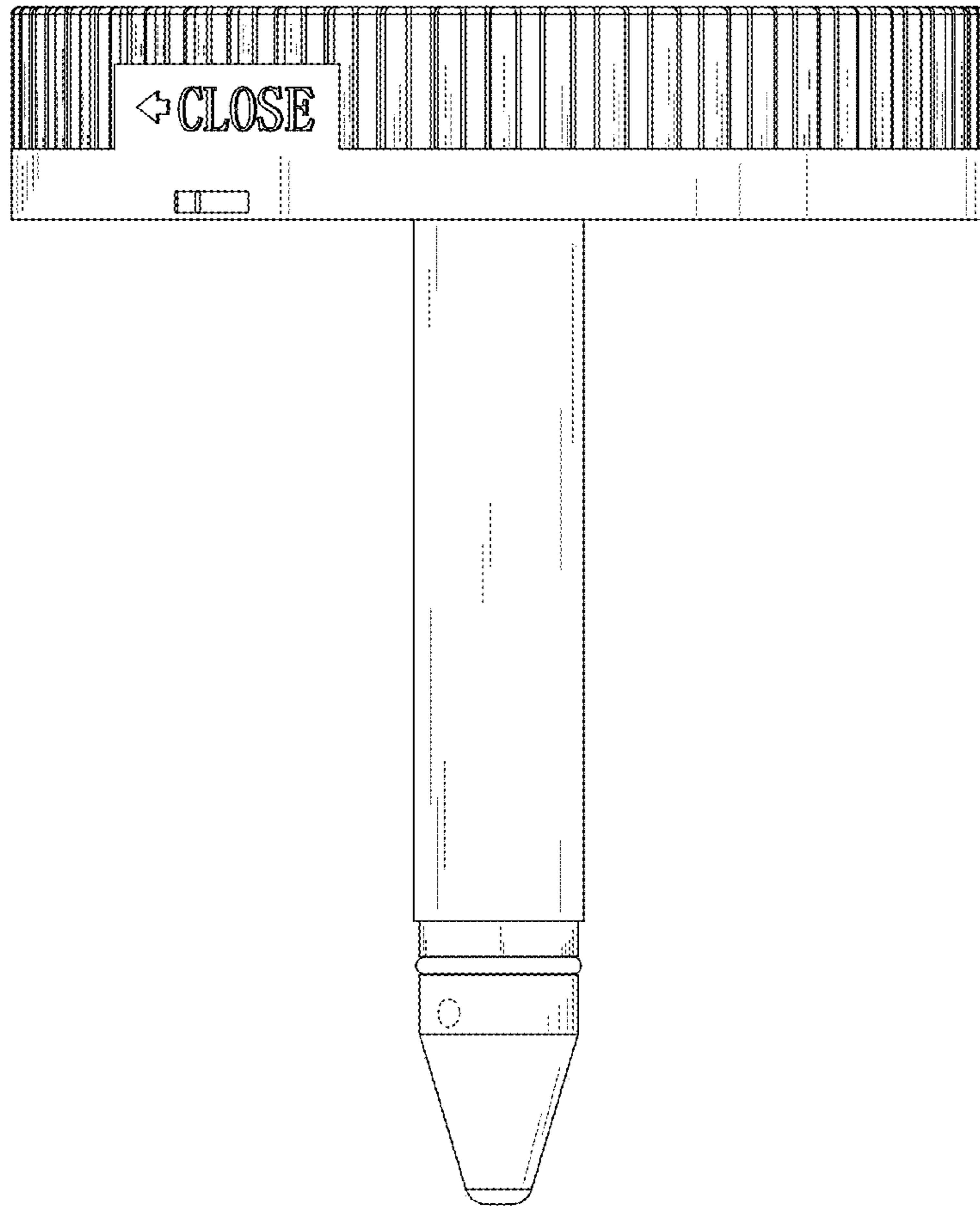


FIG. 2

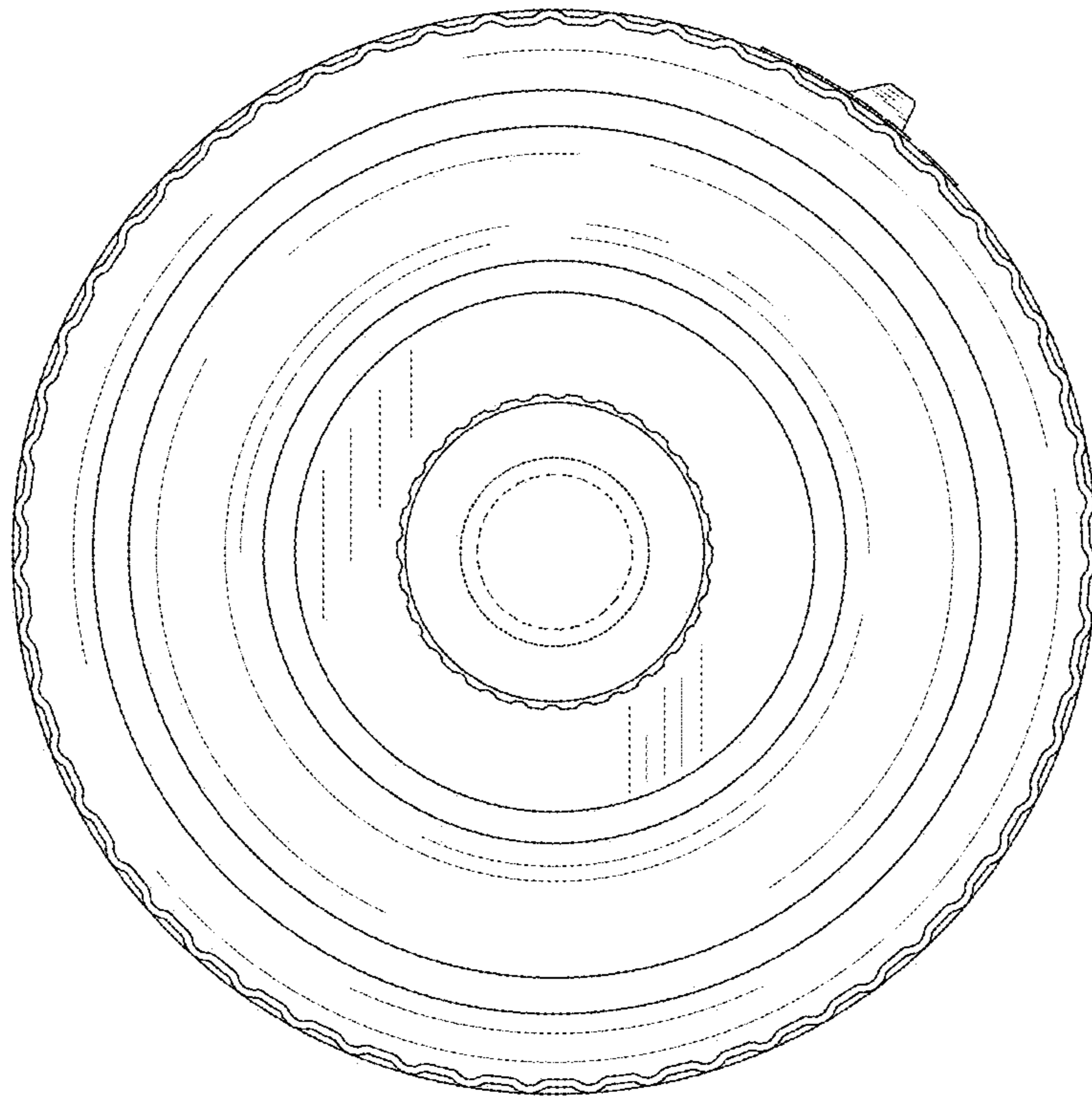


FIG. 3

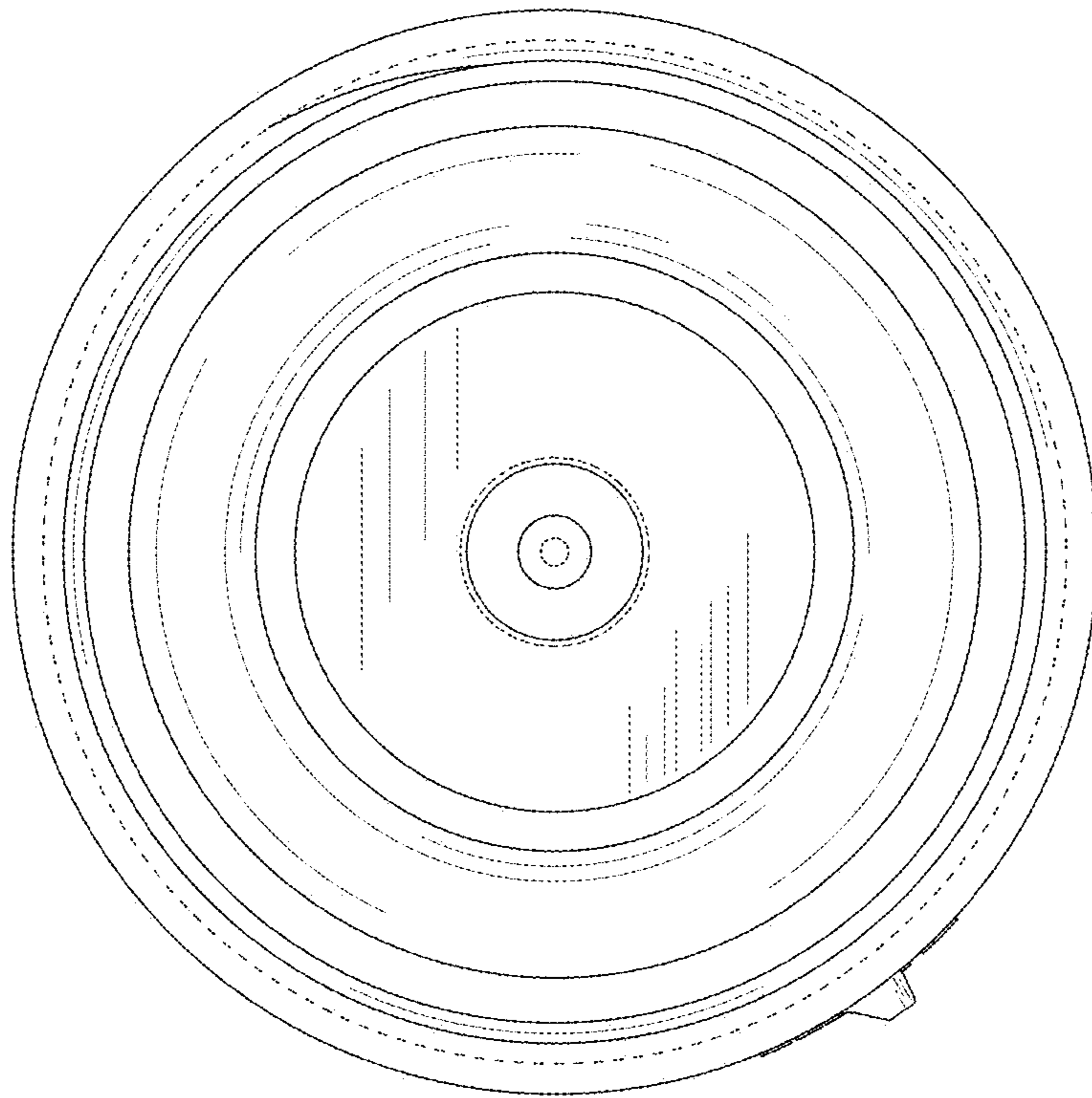


FIG. 4

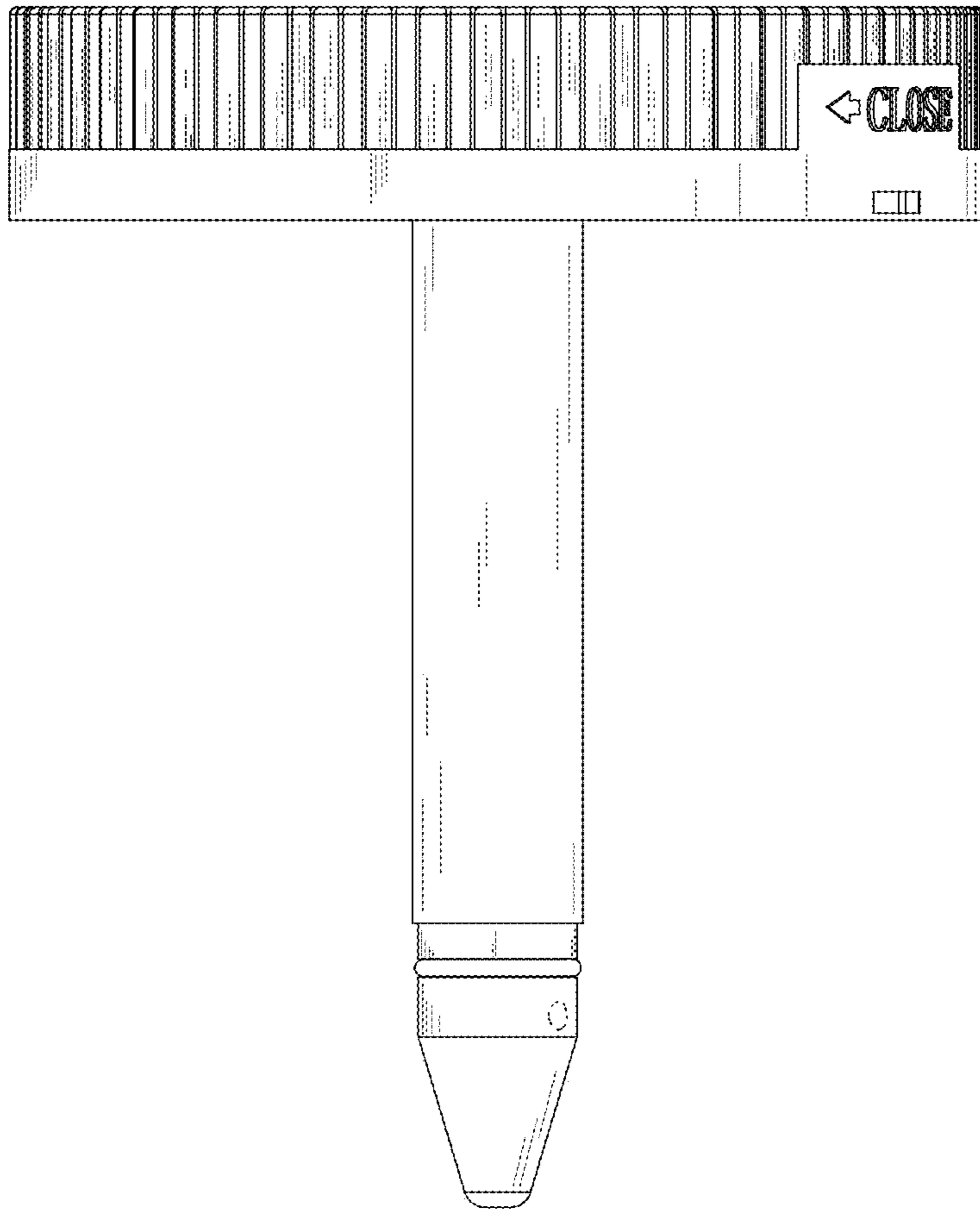


FIG. 5

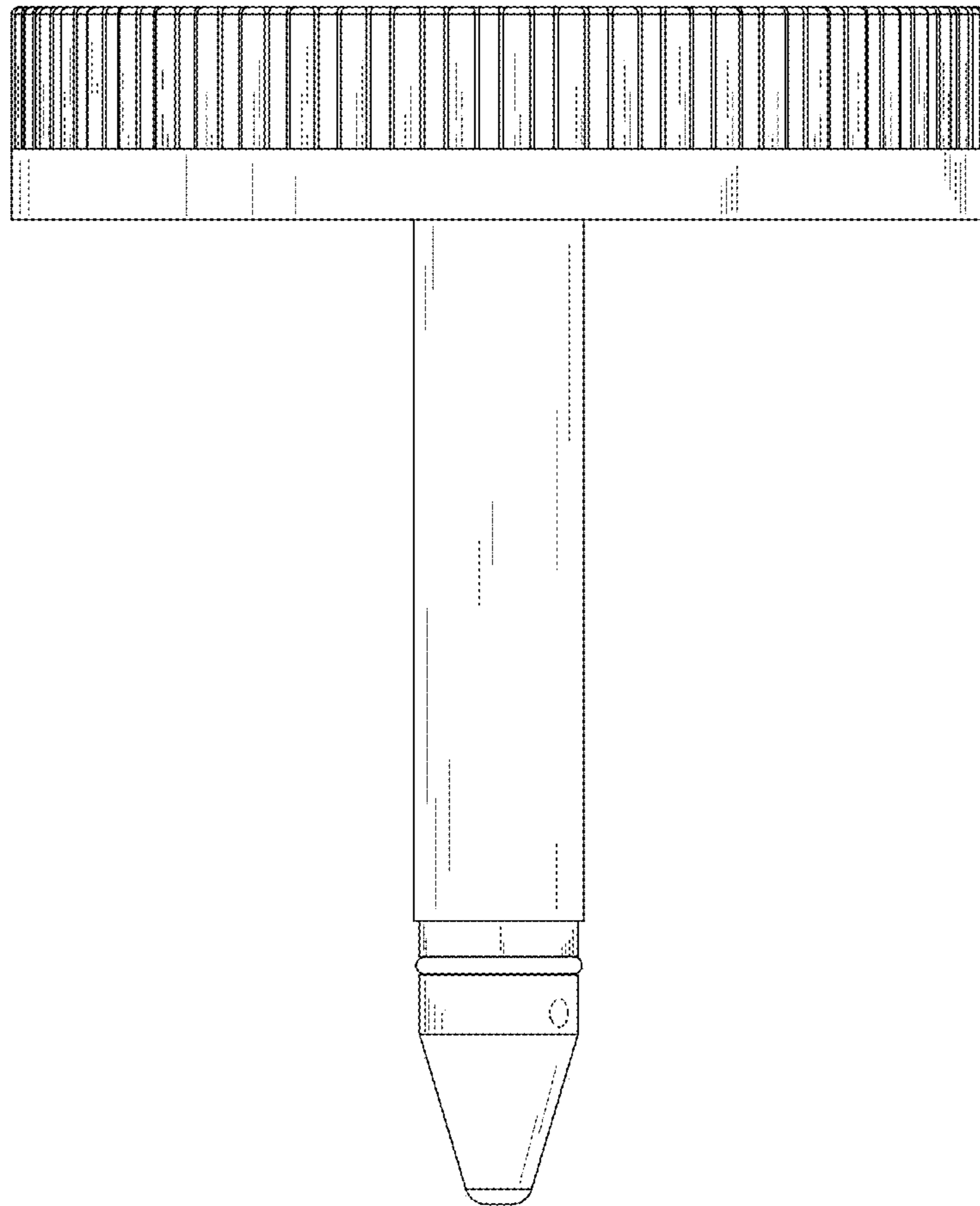


FIG. 6

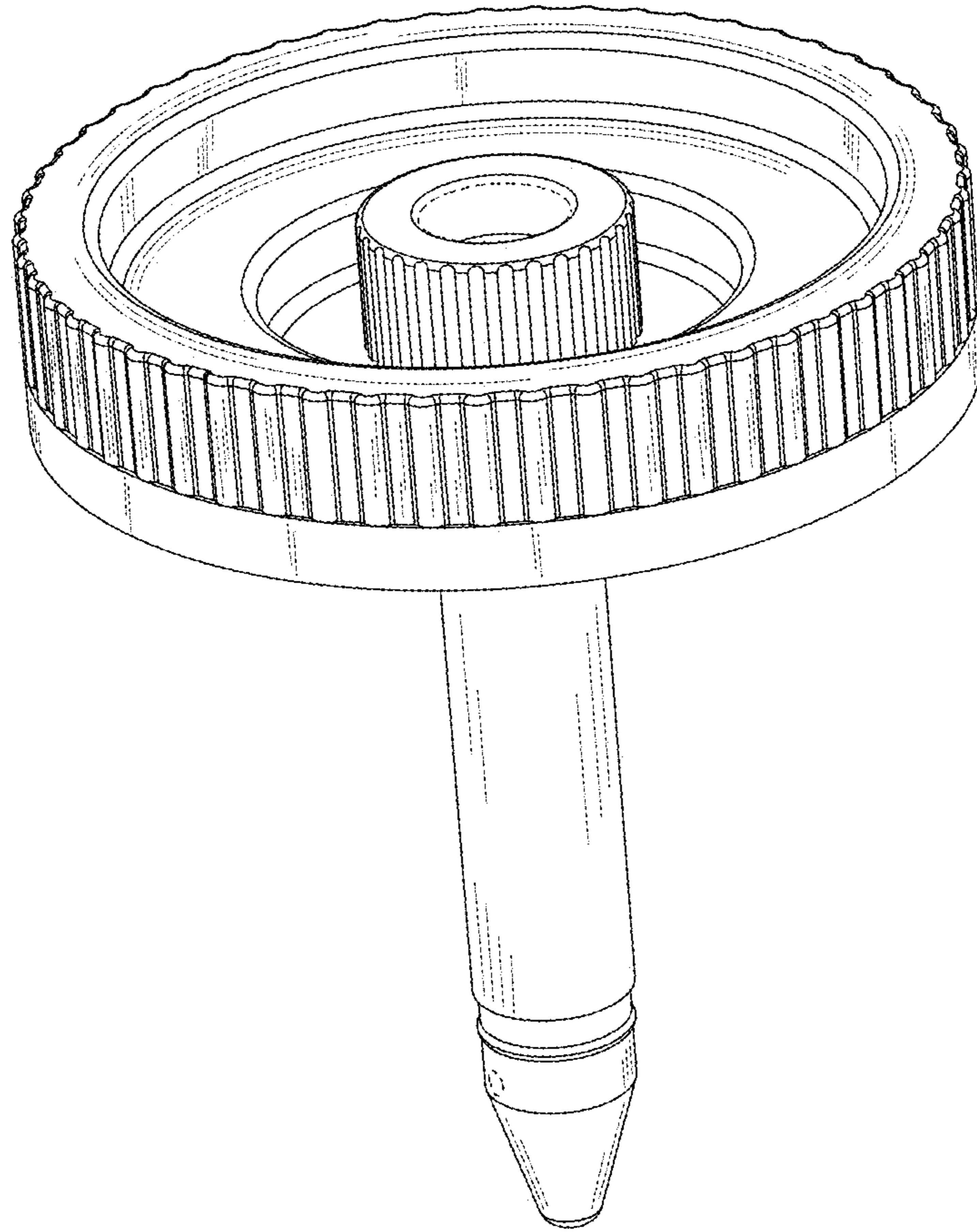


FIG. 7