



US00D918411S

(12) **United States Design Patent** (10) **Patent No.:** **US D918,411 S**
Xu (45) **Date of Patent:** **** May 4, 2021**

(54) **MESSAGE GUN**
(71) Applicant: **YONG KANG AIJIU INDUSTRIAL & TRADE CO., LTD**, Yongkang (CN)
(72) Inventor: **Lijun Xu**, Yongkang (CN)
(73) Assignee: **YONG KANG AIJIU INDUSTRIAL & TRADE CO., LTD**, Yongkang (CN)
(**) Term: **15 Years**

D435,913 S * 1/2001 Harris D24/214
D476,746 S * 7/2003 Harris D24/214
D478,385 S * 8/2003 Dirks D24/215
D866,790 S * 11/2019 Lee D24/215
D873,432 S * 1/2020 Duan D24/214
D875,961 S * 2/2020 Li D24/211
D880,714 S * 4/2020 Wersland D24/215
D880,715 S * 4/2020 Wersland D24/215
D880,716 S * 4/2020 Wersland D24/215
D884,205 S * 5/2020 Zhuang
D884,207 S * 5/2020 Ma D24/215
D884,915 S * 5/2020 Wersland D24/215
D885,601 S * 5/2020 Wersland D24/215

(Continued)

(21) Appl. No.: **29/752,116**

(22) Filed: **Sep. 25, 2020**

(30) **Foreign Application Priority Data**

Sep. 11, 2020 (CN) 202030539890.X

(51) **LOC (13) Cl.** **28-03**

(52) **U.S. Cl.**
USPC **D24/215**

(58) **Field of Classification Search**
USPC D24/200, 211, 212, 213, 214, 215;
D8/14.1
CPC . A61H 1/00; A61H 2201/1635; A61H 23/006
See application file for complete search history.

(56) **References Cited**

U.S. PATENT DOCUMENTS

3,672,355 A * 6/1972 Ogawa A61H 23/0263
601/73
4,126,128 A * 11/1978 Takahashi A61F 7/007
601/19
D270,279 S * 8/1983 Hamilton D24/211
D274,555 S * 7/1984 Shiu D24/211
D298,775 S * 11/1988 Lee D24/214
D329,291 S * 9/1992 Wollman D24/200
D329,292 S * 9/1992 Wollman D24/200
D356,162 S * 3/1995 Spahr D24/215
D373,197 S * 8/1996 Schepper D24/214
D388,175 S * 12/1997 Lie D24/215

OTHER PUBLICATIONS

Amazon, "Mini Massage Gun", Aug. 18, 2020. <https://www.amazon.com/Mini-Massage-Deep-Tissue-Massager/dp/B088CVZS6>. Shown on p. 1. (Year: 2020).*

Primary Examiner — Cynthia Ramirez
Assistant Examiner — Michael A Maharajh

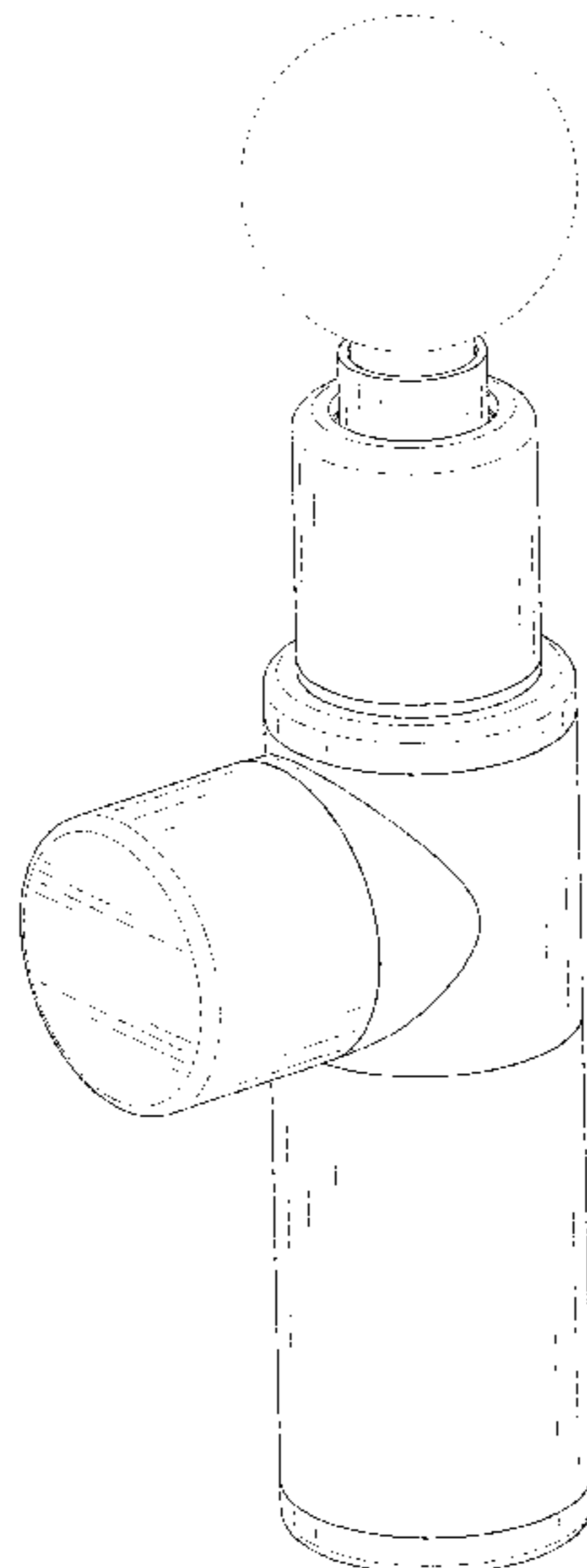
(57) **CLAIM**

The ornamental design for a massage gun, as shown and described.

DESCRIPTION

FIG. 1 is a perspective view of a massage gun showing my new design;
FIG. 2 is another perspective view thereof;
FIG. 3 is a front elevational view thereof;
FIG. 4 is a rear elevational view thereof;
FIG. 5 is a left side elevational view thereof;
FIG. 6 is a right side elevational view thereof;
FIG. 7 is a top plan view thereof; and,
FIG. 8 is a bottom plan view thereof.
The broken lines in the drawings depict portions of the massage gun that form no part of the claimed design.

1 Claim, 8 Drawing Sheets



(56)

References Cited

U.S. PATENT DOCUMENTS

D886,317	S *	6/2020	Marton	D24/215
10,714,953	B1 *	7/2020	Solana	H02J 7/0044
D893,738	S	8/2020	Zhuang		
D895,133	S *	9/2020	Xu	D24/215
D895,135	S *	9/2020	Xu	D24/215
D895,831	S *	9/2020	Chen	D24/215
D898,209	S *	10/2020	Xu	D24/214
D898,933	S *	10/2020	Xu	D24/215
D899,620	S *	10/2020	Huang	D24/215
D900,329	S *	10/2020	Xu	D24/215
D905,863	S *	12/2020	Lin	D24/215
D906,533	S *	12/2020	Xu	D24/215
D907,229	S *	1/2021	Zhang	D24/215
D907,230	S *	1/2021	Zhang	D24/215
D908,908	S *	1/2021	Xu	D24/215
2010/0145242	A1 *	6/2010	Tsai	A61H 7/004 601/108
2017/0079865	A1 *	3/2017	Kao	A61H 1/008
2017/0304145	A1 *	10/2017	Pepe	A61H 23/006
2020/0000678	A1 *	1/2020	Kao	A61H 1/00
2020/0069510	A1 *	3/2020	Wersland	A61H 15/0085
2020/0085675	A1 *	3/2020	Lee	A61H 1/00
2020/0276079	A1 *	9/2020	Cheng	A61H 23/06

* cited by examiner

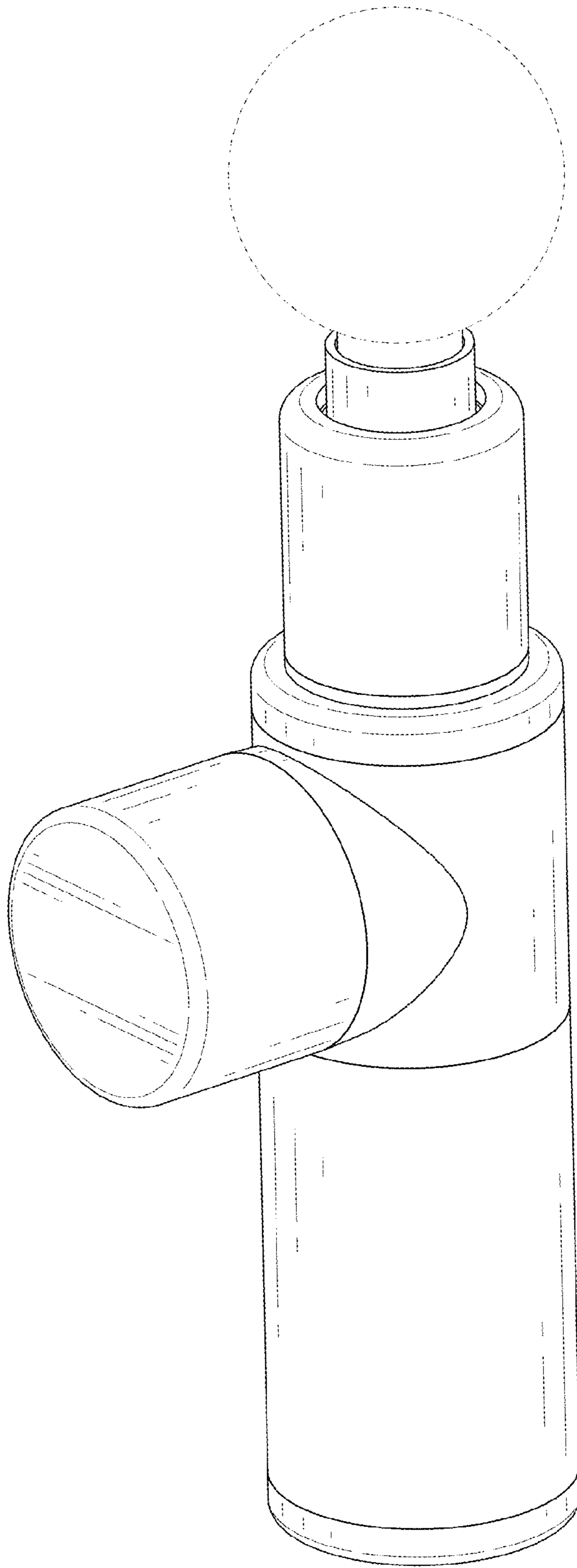


FIG. 1

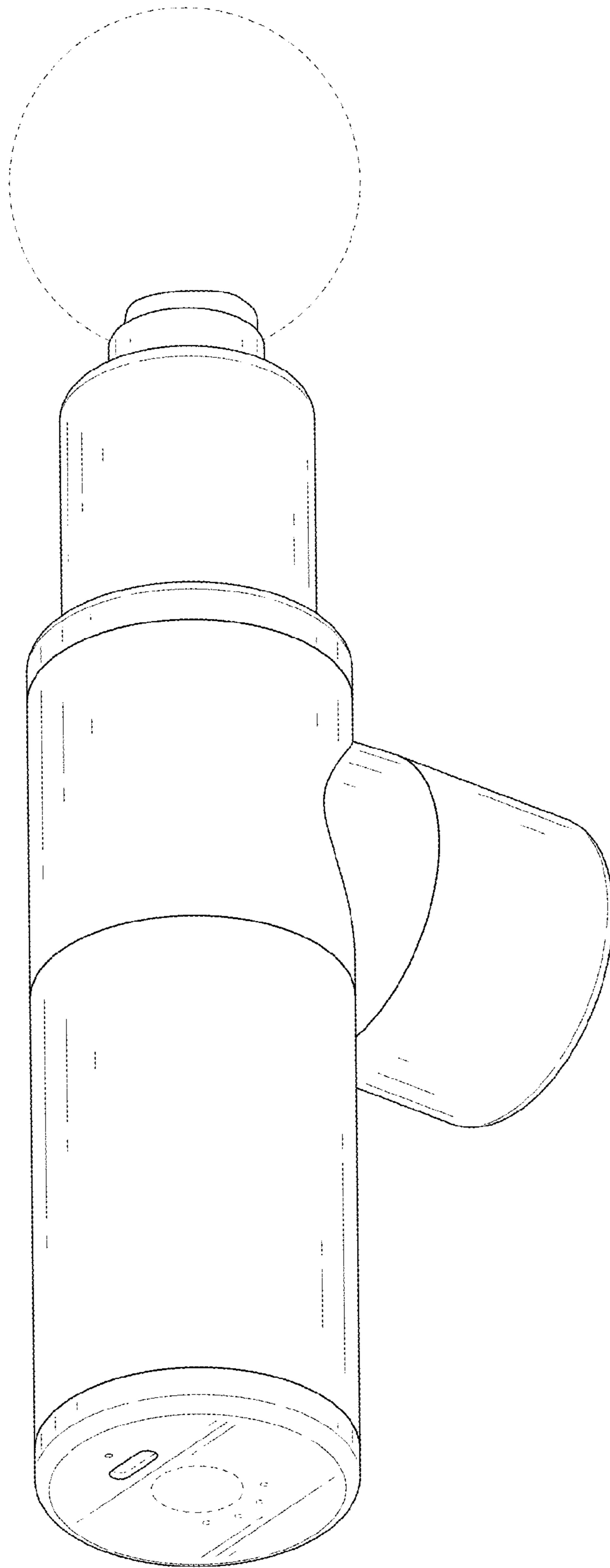


FIG. 2

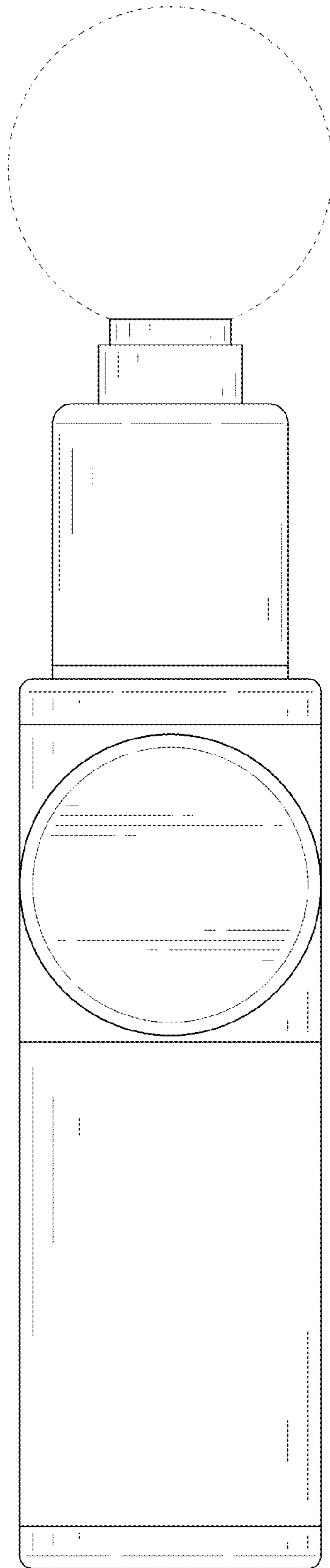


FIG. 3

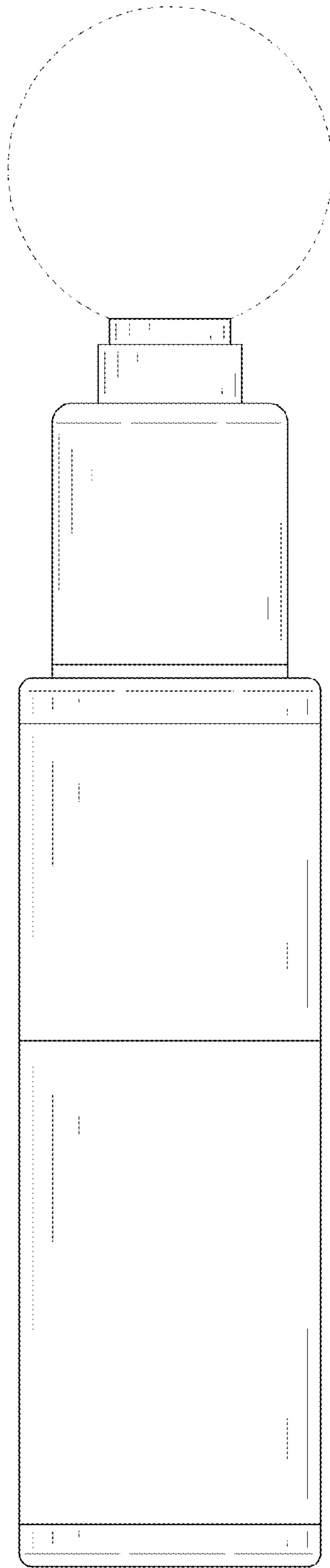


FIG. 4

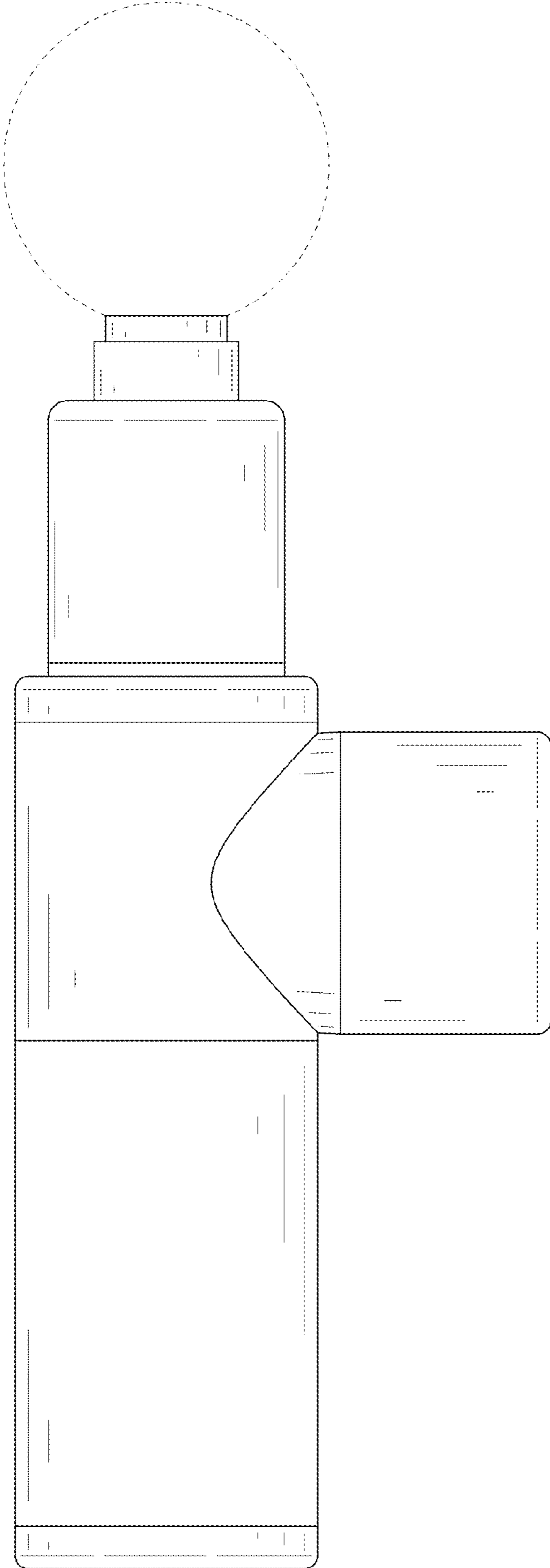


FIG. 5

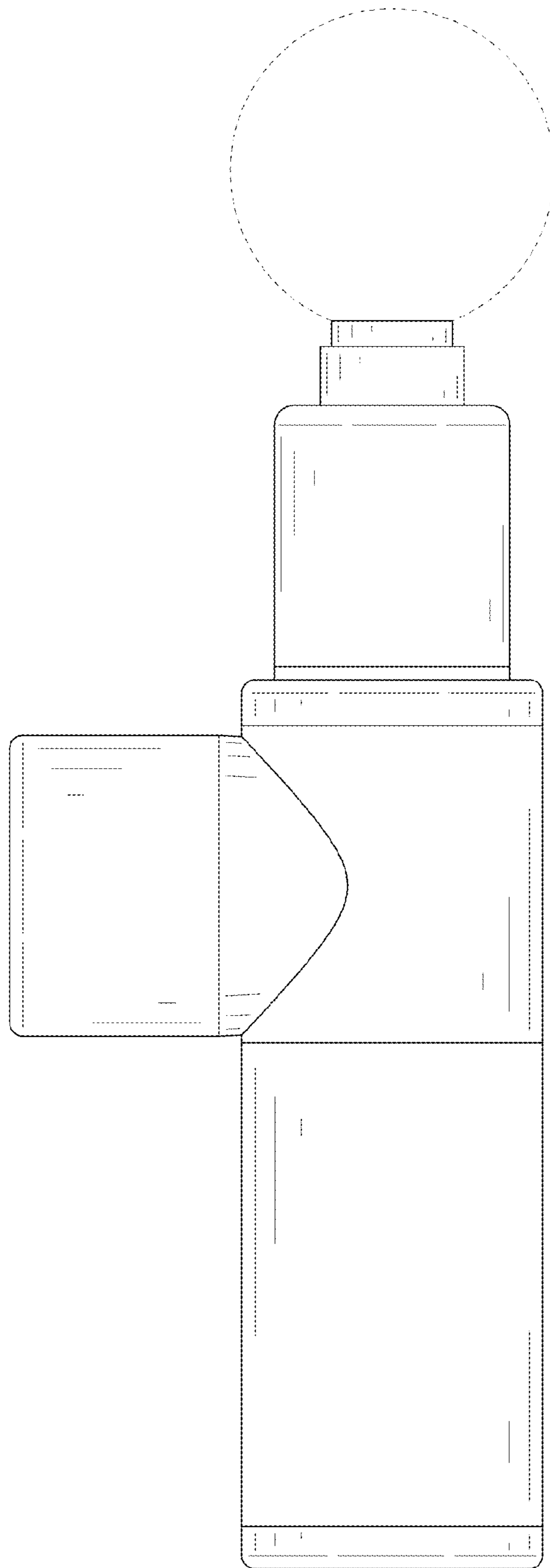


FIG. 6

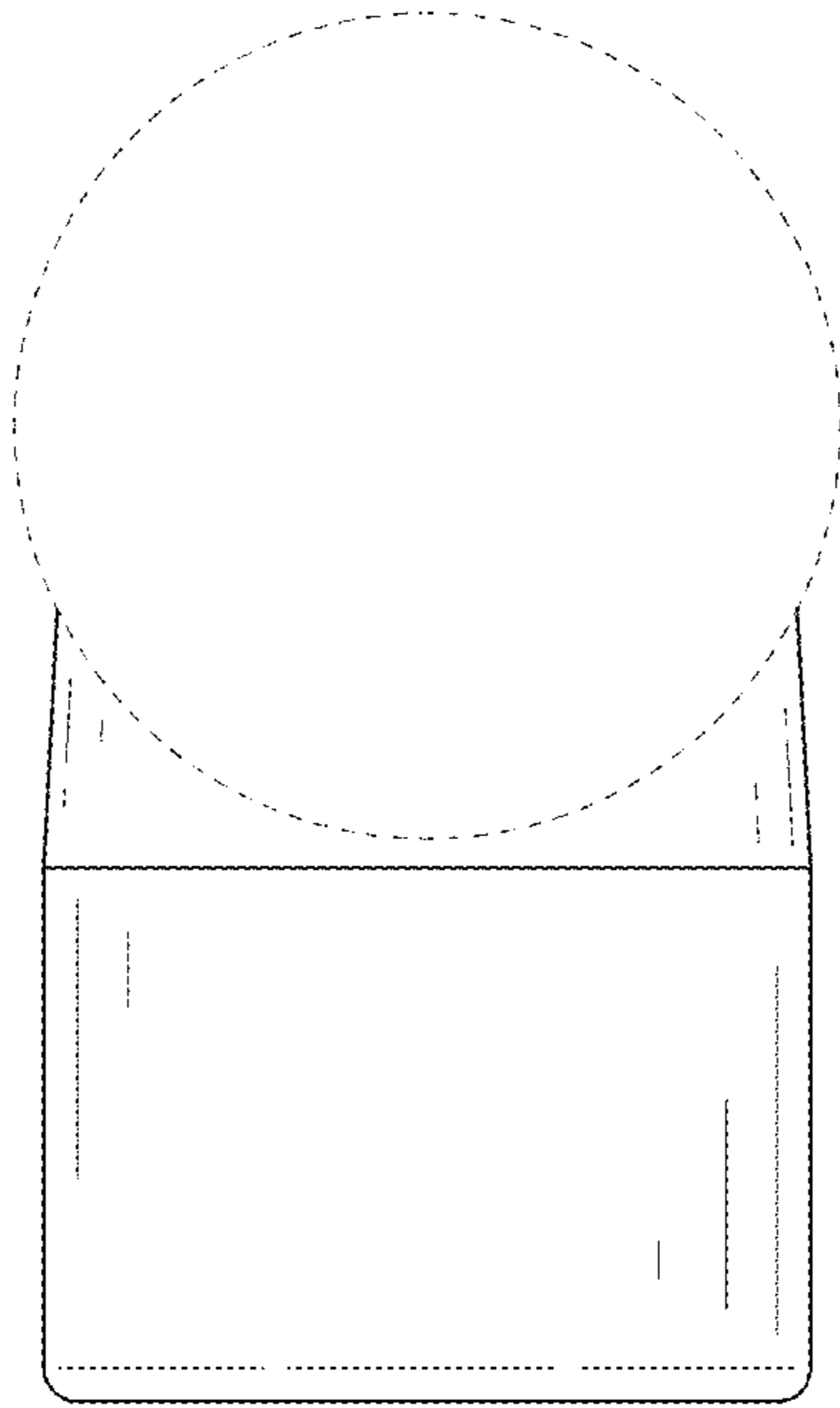


FIG. 7

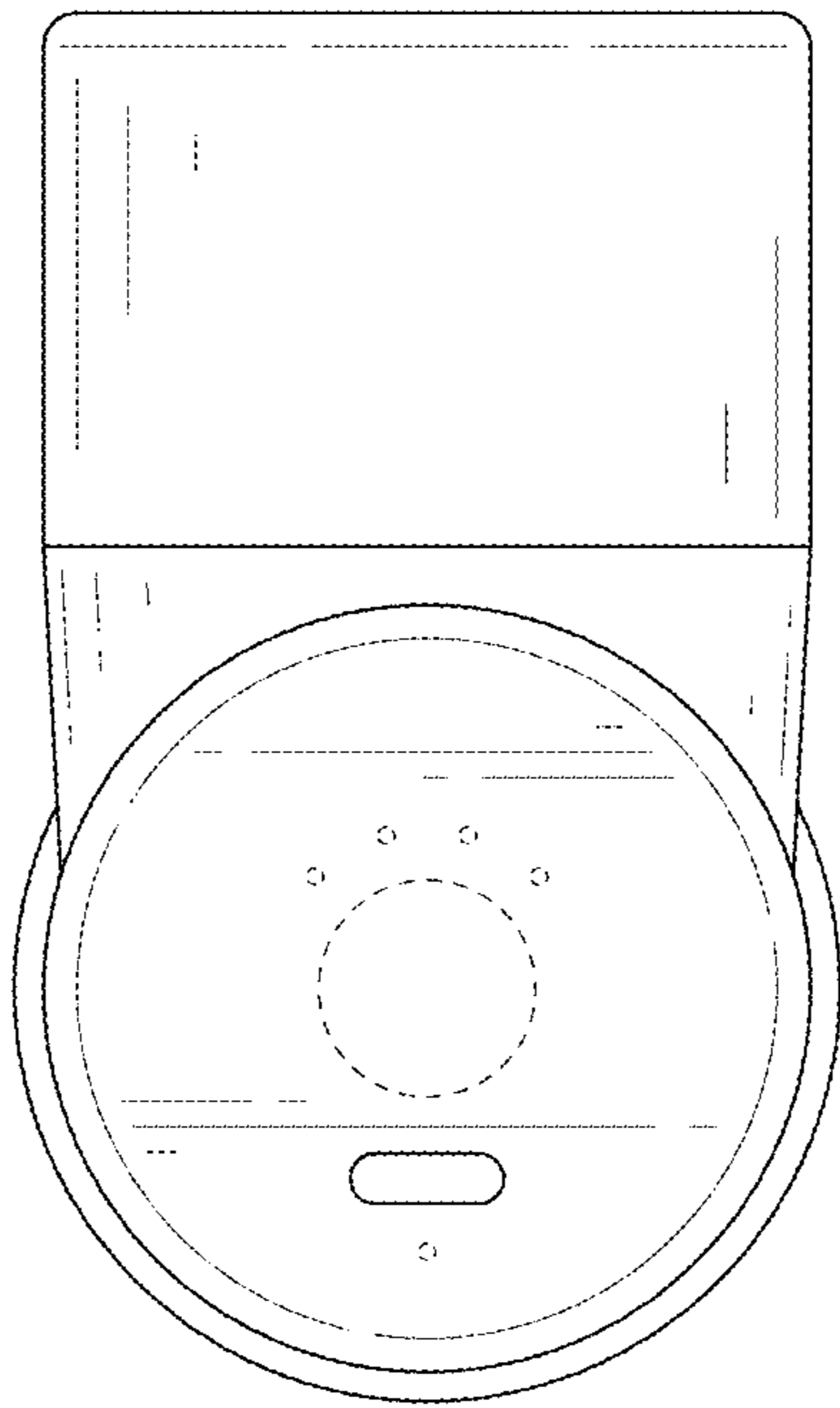


FIG. 8