



US00D918409S

(12) **United States Design Patent** (10) **Patent No.:** **US D918,409 S**  
**Sedic** (45) **Date of Patent:** **\*\* \*May 4, 2021**

(54) **PERSONAL MESSAGE APPARATUS FOR MEN**

(71) Applicant: **LELO Inc.**, San Jose, CA (US)

(72) Inventor: **Filip Sedic**, Shanghai (CN)

(73) Assignee: **LELO Inc.**, San Jose, CA (US)

(\*) Notice: This patent is subject to a terminal disclaimer.

(\*\*) Term: **15 Years**

(21) Appl. No.: **29/710,556**

(22) Filed: **Oct. 24, 2019**

**Related U.S. Application Data**

(63) Continuation of application No. 29/659,457, filed on Aug. 9, 2018, now Pat. No. Des. 880,713.

(51) **LOC (13) Cl.** ..... **28-03**

(52) **U.S. Cl.**  
USPC ..... **D24/215**

(58) **Field of Classification Search**  
USPC ..... D24/133, 186, 211, 212, 213, 214, 215;  
D12/178; D23/266; D9/418  
CPC ..... A61H 2015/0014; A61H 19/00; A63B  
21/0724; A61F 5/41; A61B 10/0058;  
A61B 5/4375; A61B 5/4393  
See application file for complete search history.

(56) **References Cited**

**U.S. PATENT DOCUMENTS**

D315,095 S *	3/1991	Wright	.....	D9/415
D328,248 S *	7/1992	Ruff	.....	D9/418
5,782,818 A *	7/1998	Shubin	..... A61B 10/0058	600/38
6,368,268 B1	4/2002	Sandvick et al.		
D526,190 S *	8/2006	Bolt	.....	D9/418
D527,252 S *	8/2006	Bolt	.....	D9/418
D547,878 S *	7/2007	Lai	.....	D24/214

D559,395 S *	1/2008	Matsuura	.....	D24/216
D674,906 S *	1/2013	Matsuura	.....	D24/215
D674,907 S *	1/2013	Matsuura	.....	D24/215
D674,908 S *	1/2013	Matsuura	.....	D24/215
D674,909 S *	1/2013	Matsuura	.....	D24/215
D675,331 S *	1/2013	Matsuura	.....	D24/215
D677,393 S *	3/2013	Green	.....	D24/215
D695,414 S *	12/2013	Matsuura	.....	D24/215
D700,348 S *	2/2014	Tai	.....	D24/215

(Continued)

**OTHER PUBLICATIONS**

Lelo, "F1 Developer Kit Red", Jan. 6, 2020. [https://www.lelo.com/f1s-developers-kit-red?gclid=Cj0KCQiA3NX\\_BRDQARIsALA3flUn0SUeOSo-7we3uPWoSua08c8lgGeWyhwrcVDjugTPnUIC8YEtb0aAh2zEALw\\_wcB](https://www.lelo.com/f1s-developers-kit-red?gclid=Cj0KCQiA3NX_BRDQARIsALA3flUn0SUeOSo-7we3uPWoSua08c8lgGeWyhwrcVDjugTPnUIC8YEtb0aAh2zEALw_wcB). Shown on p. 1. (Year: 2020).\*

(Continued)

*Primary Examiner* — Cynthia Ramirez

*Assistant Examiner* — Michael A Maharajh

(74) *Attorney, Agent, or Firm* — Evan Feldstein

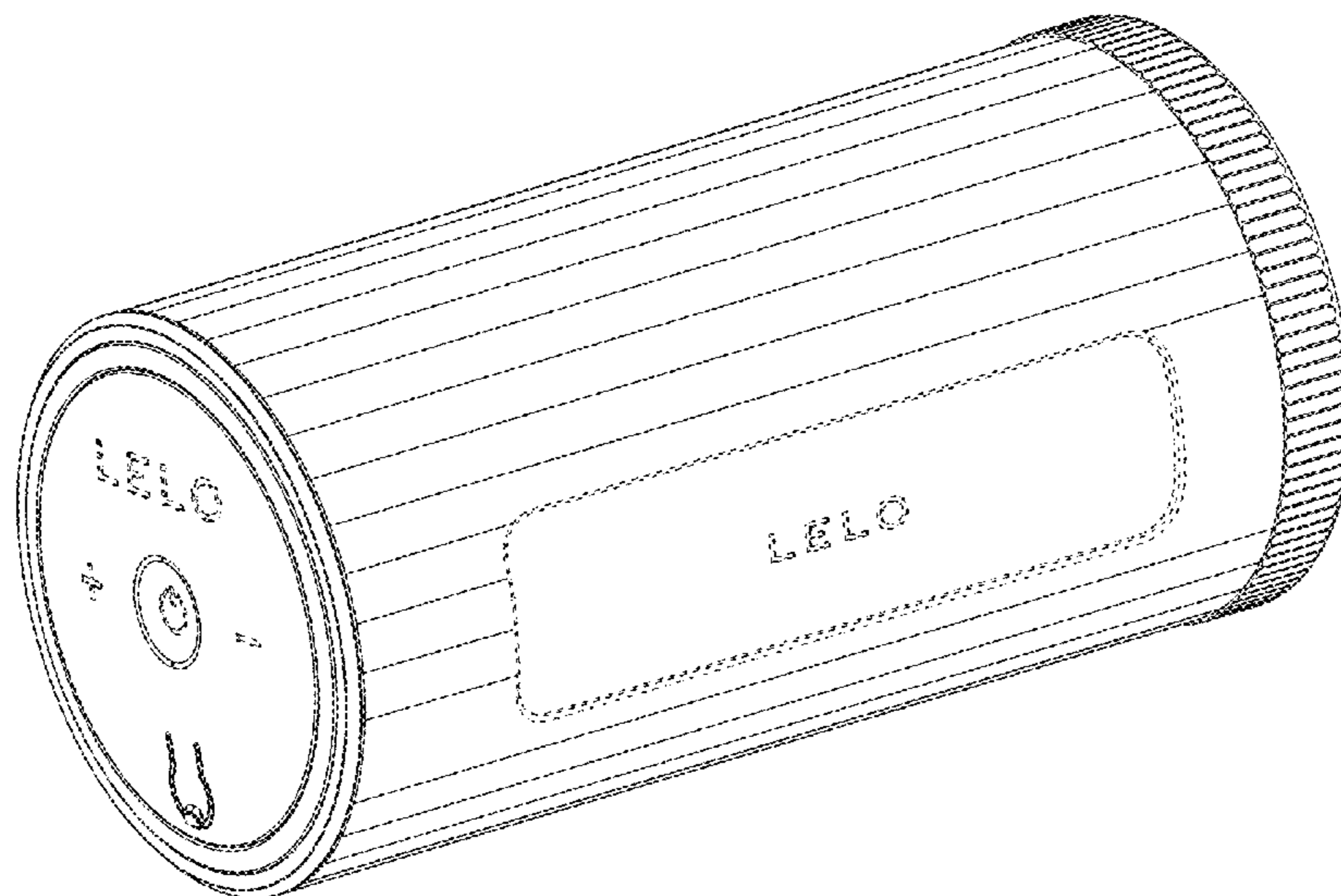
(57) **CLAIM**

I claim the ornamental design for a personal message apparatus for men, as shown and described.

**DESCRIPTION**

FIG. 1 is a perspective view of a personal message apparatus for men showing my new design.  
FIG. 2 is a bottom view thereof.  
FIG. 3 is a top view thereof.  
FIG. 4 is a rear view thereof.  
FIG. 5 is a right side view thereof.  
FIG. 6 is a front view thereof; and,  
FIG. 7 is a left side view thereof.  
The broken lines shown in the drawings are for the purpose of illustrating portions of the personal message apparatus for men which form no part of the claimed design.

**1 Claim, 7 Drawing Sheets**



(56)

## References Cited

## U.S. PATENT DOCUMENTS

D700,349	S *	2/2014	Tai	.....	D24/215
D700,350	S *	2/2014	Tai	.....	D24/215
D714,952	S *	10/2014	Gonglach	.....	A61H 15/00 D24/211
D736,400	S *	8/2015	Matsuura	.....	D24/215
D736,401	S *	8/2015	Matsuura	.....	D24/215
9,138,372	B2	9/2015	Rueda		
D782,036	S *	3/2017	Cai	.....	D24/121
D823,462	S *	7/2018	Okamura	.....	D24/121
D837,996	S *	1/2019	Sugimoto	.....	D24/215
D843,592	S *	3/2019	Tsuyama	.....	D24/215
D853,575	S *	7/2019	Fleming	.....	D24/211
D870,308	S *	12/2019	Samarasinha	.....	D24/215
D879,988	S *	3/2020	Zhou	.....	D24/215
D880,713	S *	4/2020	Sedic	.....	D24/215
D886,318	S *	6/2020	Tsuyama	.....	D24/215
D888,980	S *	6/2020	Tsuyama	.....	D24/215
D890,947	S *	7/2020	Takahori	.....	D24/215
D893,040	S *	8/2020	Qiu	.....	D24/215
D893,041	S *	8/2020	Qiu	.....	D24/215
D895,134	S *	9/2020	Qiu	.....	D24/215
D897,551	S *	9/2020	Nasta	.....	D24/211
D898,215	S *	10/2020	Endo	.....	D24/215
2003/0171647	A1	9/2003	Garland		
2006/0264856	A1	11/2006	Wong		
2008/0004577	A1 *	1/2008	Matsuura	.....	A61B 10/0058 604/317
2012/0232335	A1 *	9/2012	Eisenberg	.....	A61H 19/32 600/38
2015/0190304	A1 *	7/2015	Lawrie	.....	A61H 15/00 601/118
2016/0136035	A1 *	5/2016	Abramovitz	.....	A61H 19/32 601/136
2017/0071817	A1 *	3/2017	Sanchez	.....	A61H 15/0092
2017/0071818	A1 *	3/2017	Chen	.....	A61H 19/32
2017/0231801	A1 *	8/2017	Matsuura	.....	A61H 19/00 600/38
2018/0049941	A1 *	2/2018	Venezia	.....	A61H 15/02
2018/0092798	A1 *	4/2018	Shao	.....	A61H 19/32
2019/0350799	A1 *	11/2019	Matossian	.....	A61H 15/0092
2020/0046599	A1 *	2/2020	Sedic	.....	A61F 5/41

## OTHER PUBLICATIONS

Youtube, "F1 Developer Kit\_Clip" Oct. 11, 2018. <https://www.youtube.com/watch?v=RfPtTCKzz28>. Shown at the 00;17 minute mark. (Year: 2018).\*

Satisfyer, "Satisfyer men", [www.satisfyer.com](http://www.satisfyer.com), pp. 1-9, <https://us.satisfyer.com/us/satisfyer-men.15/satisfyer-men>, accessed Jan. 2018.

Kiiroo, "Onyx2—The Master of Interactive Pleasure," [www.kiiroo.com](http://www.kiiroo.com), pp. 1-11, <https://www.kiiroo.com/products/onyx-2>, accessed Jan. 2018.

Fleshlight, "Fleshlight Launch," [www.fleshlight.com](http://www.fleshlight.com), pp. 1-11, <https://www.fleshlight.com/pages/launch?locale=en>, accessed Jan. 2018.

ImToy, "Piu Interactive Male Vibrator," [www.imtoy.com](http://www.imtoy.com), pp. 1-12, <https://en.imtoy.com/sales-letter-order-form18385006>, accessed Jan. 2018.

Blewit, "Blewit V2," [www.blewit.com](http://www.blewit.com), pp. 1-3, <https://blewit.com/product/blewit/>, accessed Jan. 2018.

iCon, "i.Con Smart Condom," [www.BritishCondoms.com](http://www.BritishCondoms.com), pp. 1-3, <https://britishcondoms.uk/i-con-smart-condoms.html>, accessed Jan. 2018.

Andrew Quitmeyer, "The Mod—Multivibrating Open-Source Dildo," [www.indiegogo.com](http://www.indiegogo.com), pp. 1-2, <https://www.indiegogo.com/projects/the-mod-multivibrating-open-source-dildo/>, accessed Jan. 2018.

Alexandra Ars, "Master Beta Kit: Easy Erotic Engineering," [www.indiegogo.com](http://www.indiegogo.com), pp. 1-2, <https://www.indiegogo.com/projects/master-beta-kit-easy-erotic-engineering-2/>, accessed Jan. 2018.

Fleshlight, "Stamina Training Unit Lady," [www.fleshlight.com](http://www.fleshlight.com), pp. 1-8, <https://www.fleshlight.com/collections/stamina-training-fl-toys/products/stamina-training-unit>, accessed Jan. 2018.

Hoctopuss, "Pulse III—Solo & Duo," [www.hoctopuss.com](http://www.hoctopuss.com), pp. 1-12, <https://www.hoctopuss.com/pulse-iii/>, accessed Jan. 2018.

Autoblow, "Automatic Blowjobs Just Got Even Better," [www.autoblow.com](http://www.autoblow.com), pp. 1-4, <https://www.autoblow2.com/autoblow-2>, accessed Jan. 2018.

Tenga, "Flip 0—Zeroing in on the Possibilities of Pleasure," [www.tenga-global.com](http://www.tenga-global.com), pp. 1-2, <https://www.tenga-global.com/products/hole/flip-0/>, accessed Jan. 2018.

Nathaniel Eliason, "Stamena—Longer lasting sex kegel trainer for men," [itunes.apple.com](https://itunes.apple.com), pp. 1-3, <https://itunes.apple.com/us/app/stamena-longer-lasting-sex-kegel-trainer-for-men/id1106687104?mt=8>, accessed Jan. 2018.

\* cited by examiner

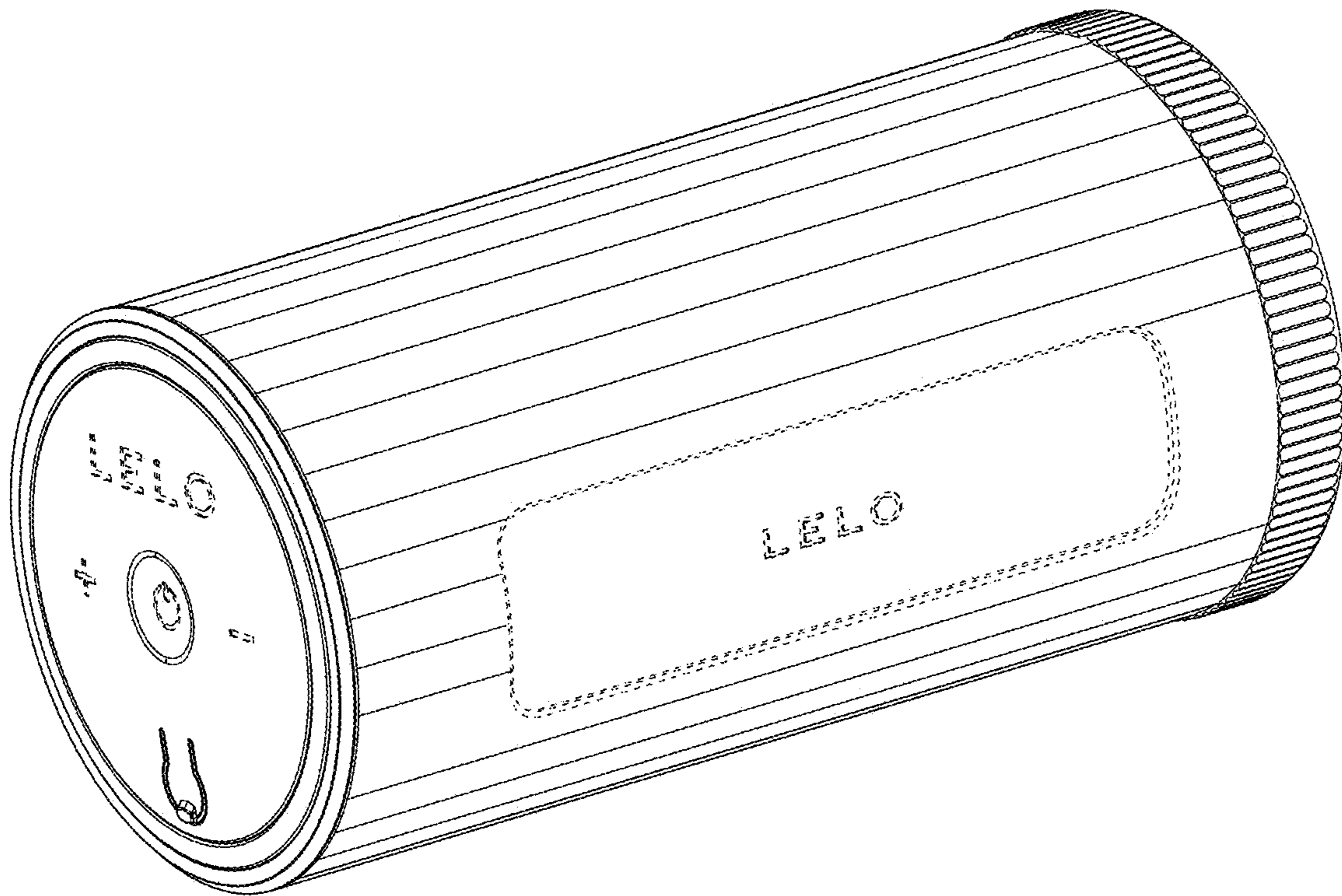


FIG. 1

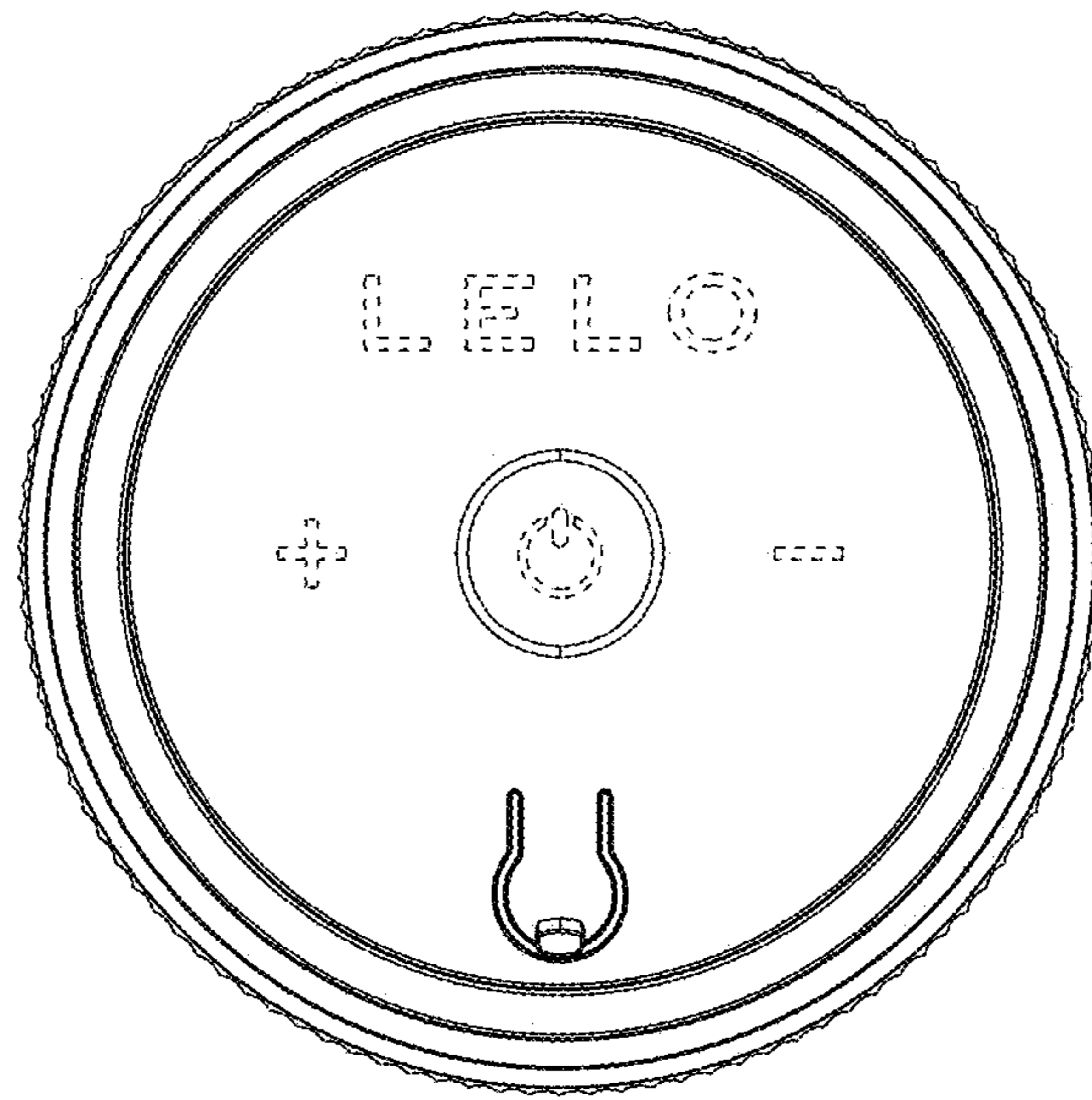
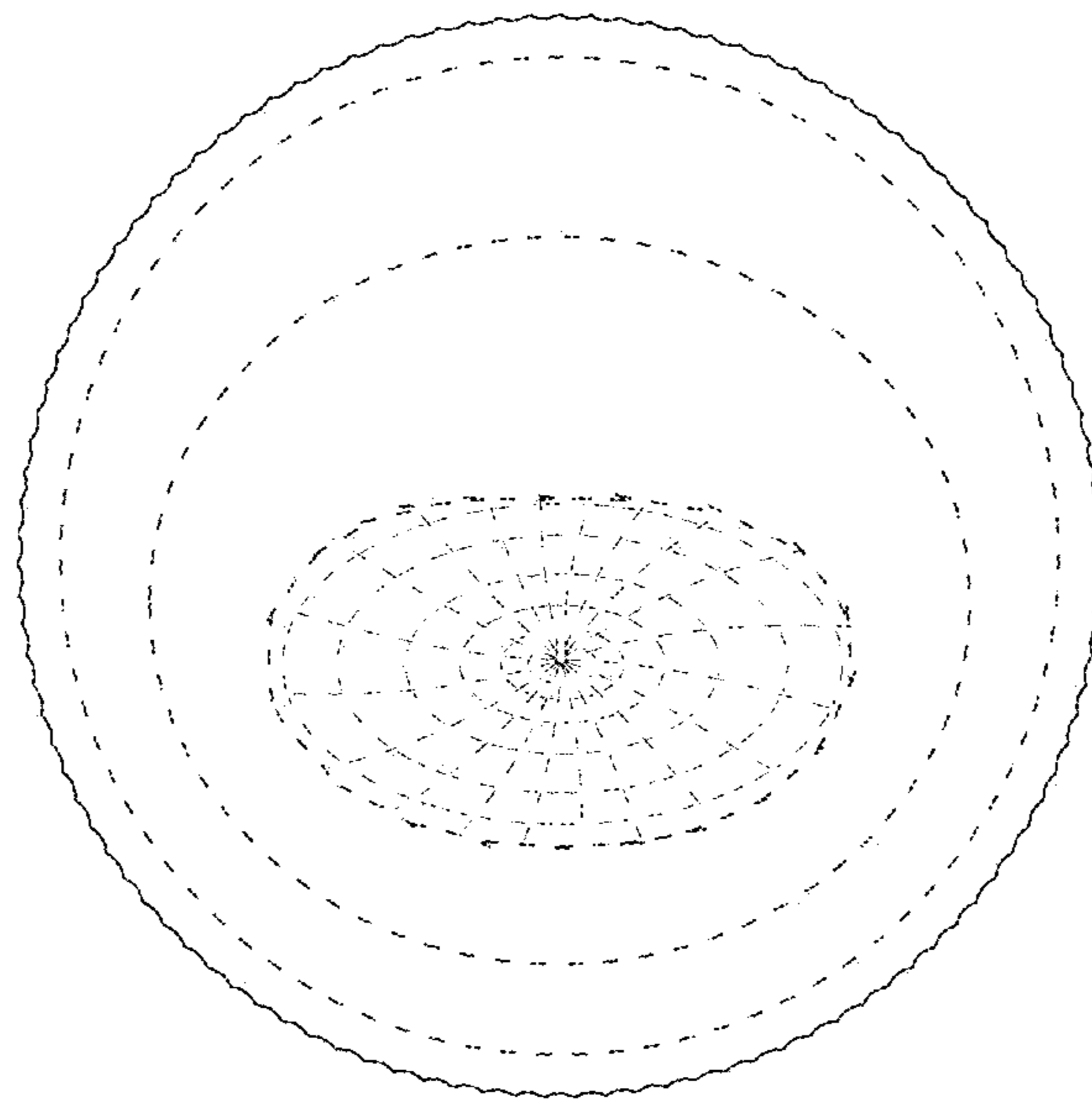


FIG. 2



**FIG. 3**

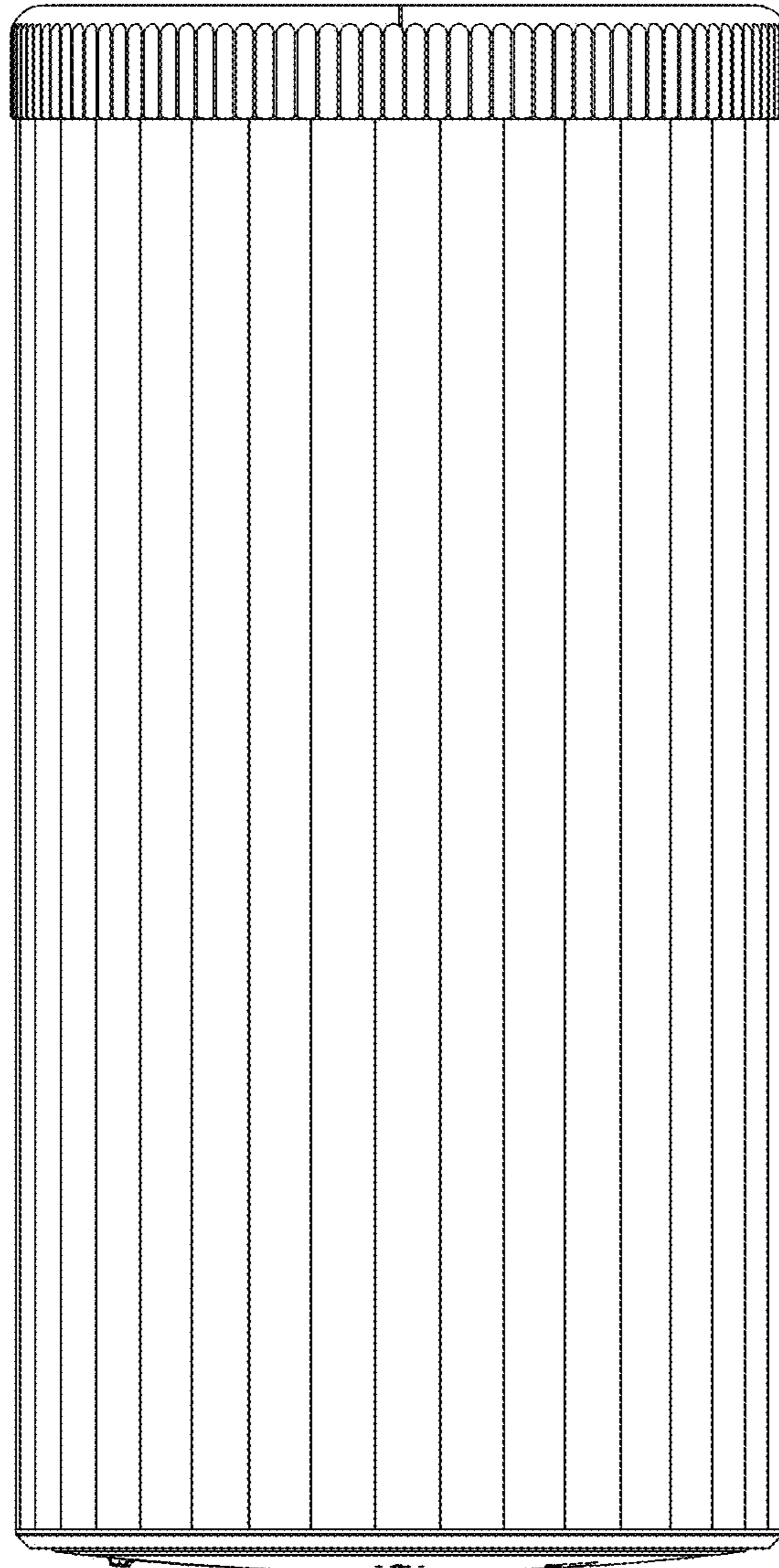


FIG. 4

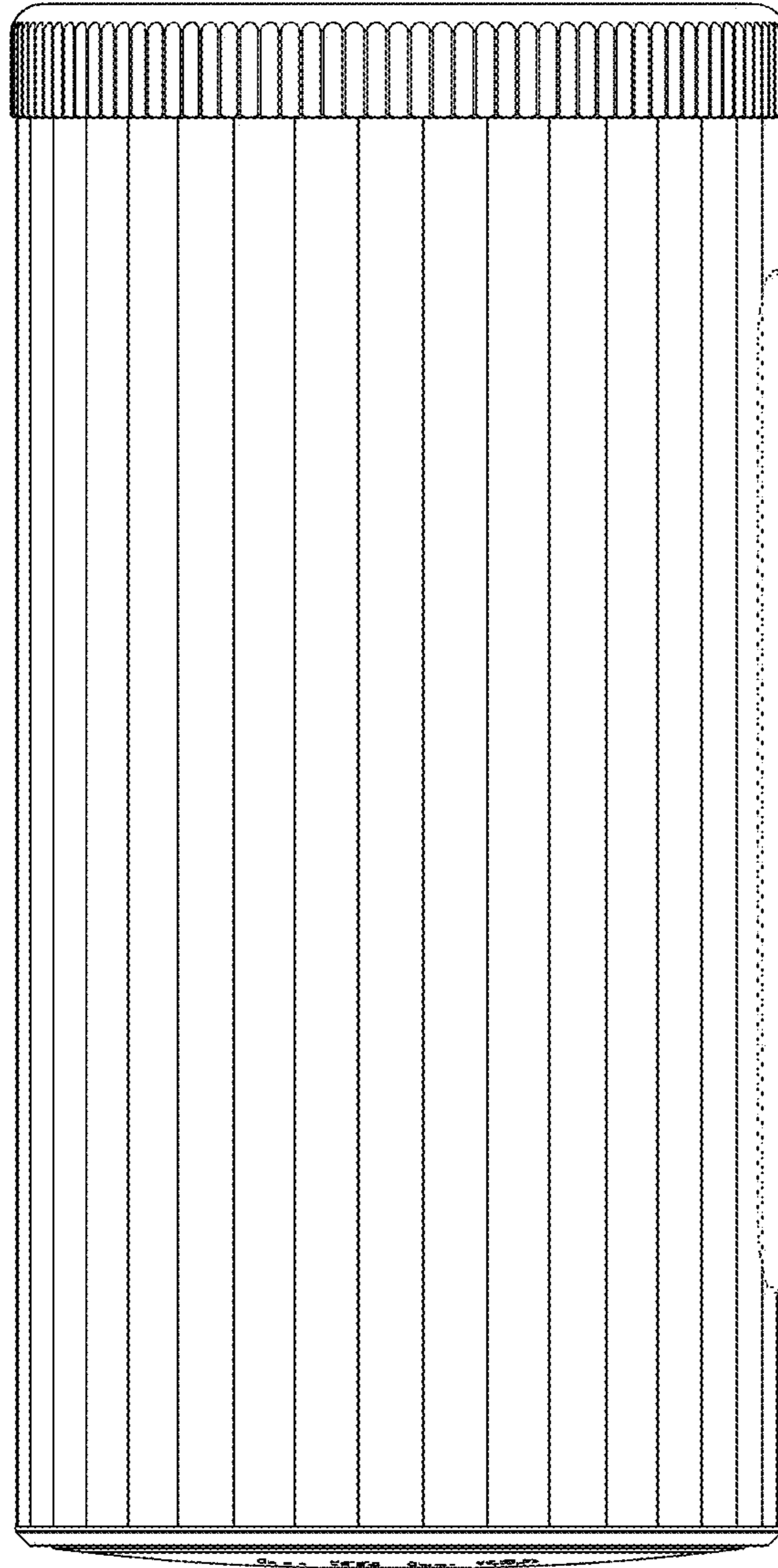


FIG. 5

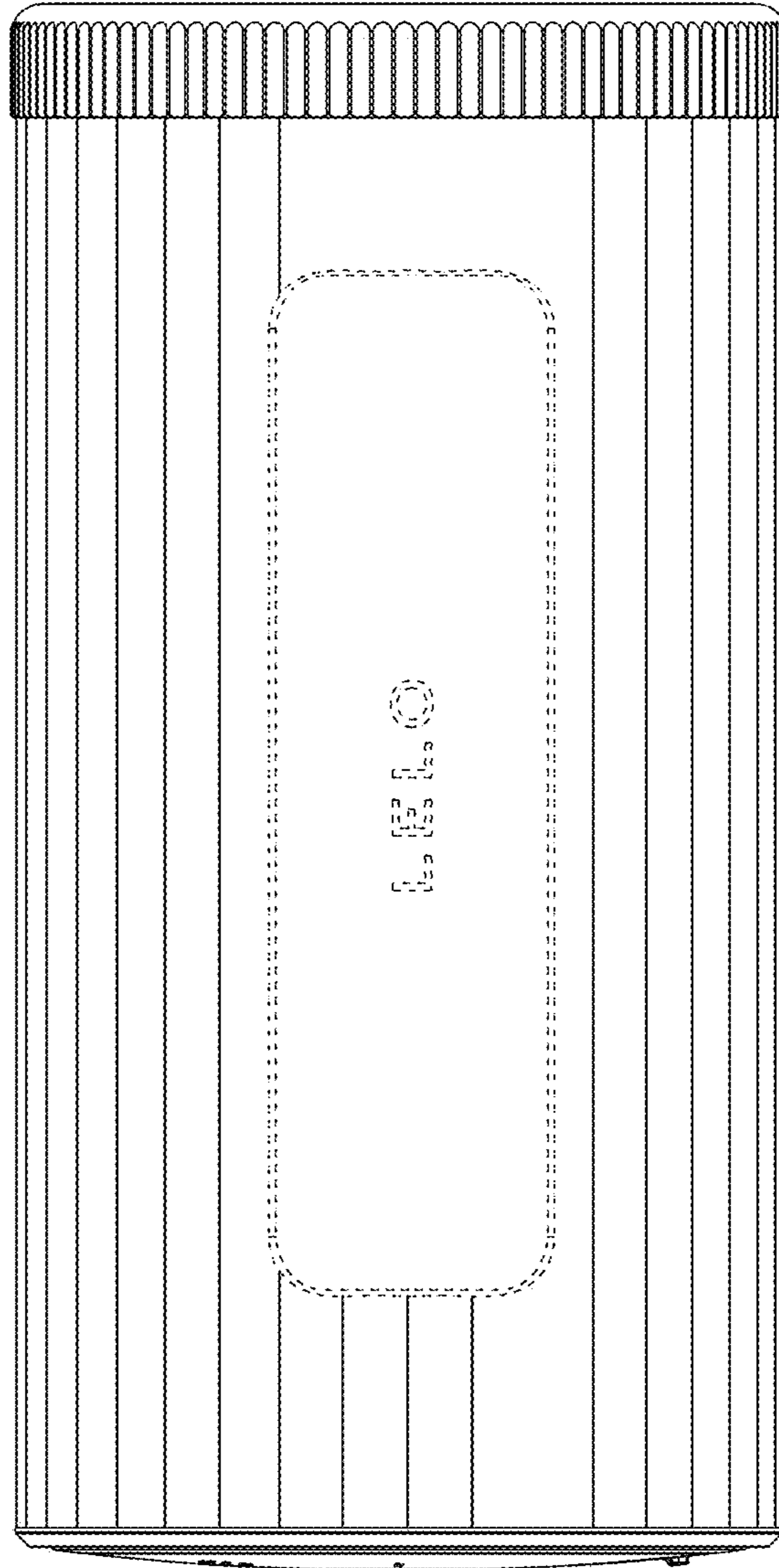


FIG. 6



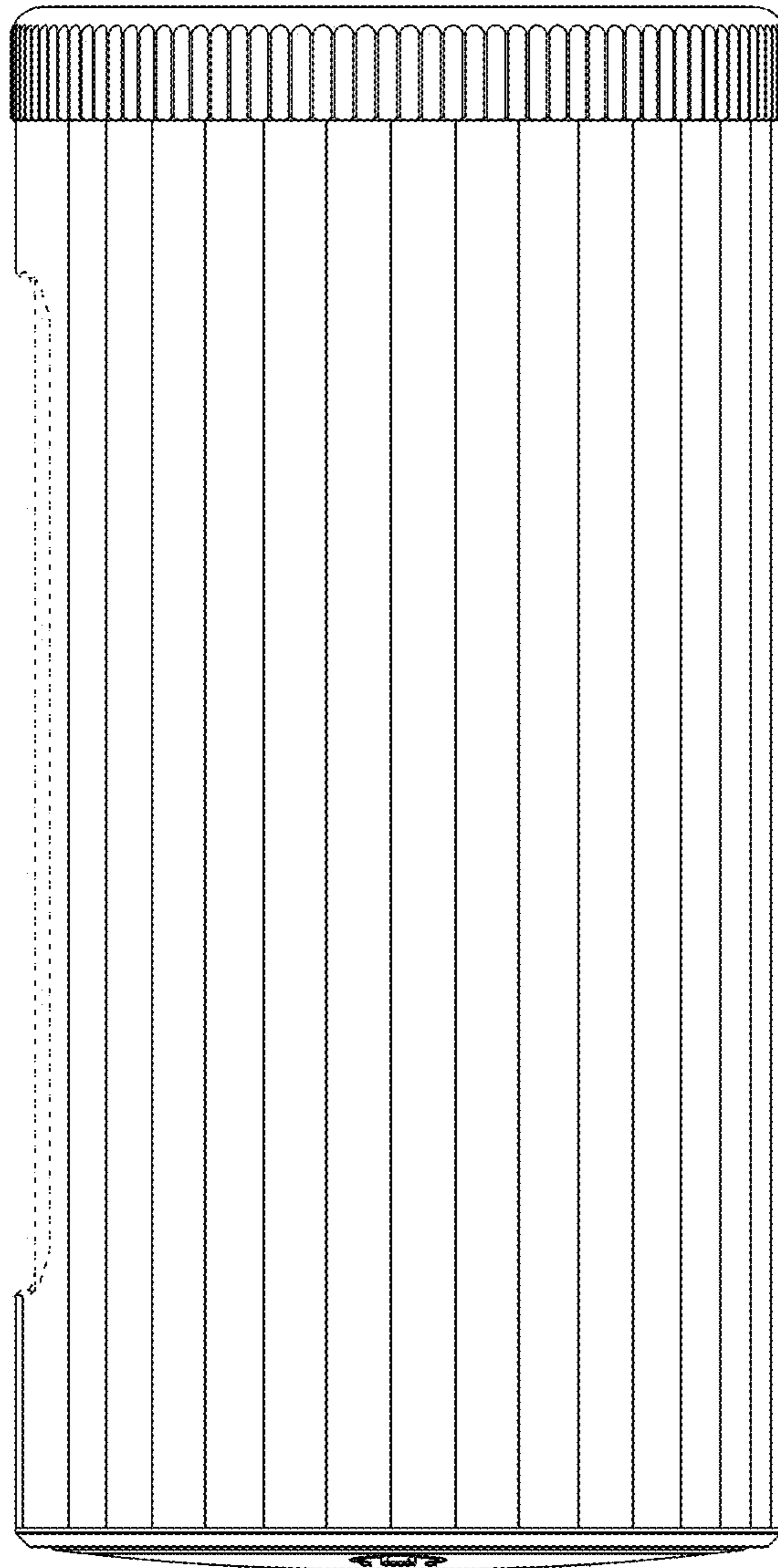


FIG. 7