



US00D918407S

(12) **United States Design Patent** (10) **Patent No.:** **US D918,407 S**  
**Bily** (45) **Date of Patent:** **\*\* May 4, 2021**

(54) **MESSAGE TOOL**  
(71) Applicant: **Radoslav Bily**, Glendale, CA (US)  
(72) Inventor: **Radoslav Bily**, Glendale, CA (US)  
(73) Assignee: **Radoslav Bily**, Golden, CO (US)  
(\*\*) Term: **15 Years**  
(21) Appl. No.: **29/688,469**  
(22) Filed: **Apr. 22, 2019**  
(51) **LOC (13) Cl.** ..... **28-03**  
(52) **U.S. Cl.**  
USPC ..... **D24/215**  
(58) **Field of Classification Search**  
USPC ..... D24/200, 211, 212, 213, 214, 215  
CPC ..... A61H 1/00; A61H 7/002; A61H 7/003;  
A61H 7/007  
See application file for complete search history.

2004/0249324 A1\* 12/2004 Louis ..... A61H 7/003  
601/135  
2014/0213944 A1\* 7/2014 Kojima ..... A61H 7/007  
601/137  
2014/0213945 A1\* 7/2014 Kojima ..... A61H 39/04  
601/137  
2014/0358045 A1\* 12/2014 Toto ..... A61F 7/08  
601/18  
2019/0008716 A1\* 1/2019 Giddings ..... A61H 7/007  
2020/0085670 A1\* 3/2020 Hanson ..... A61H 1/00

**OTHER PUBLICATIONS**

Amazon, "Deep Tissue Massage Tool", Mar. 29, 2019. [https://www.amazon.com/Tissue-Massage-Trigger-Point-Massager/dp/B07MGQNWY2/ref=cm\\_cr\\_ar\\_p\\_d\\_product\\_top?ie=UTF8](https://www.amazon.com/Tissue-Massage-Trigger-Point-Massager/dp/B07MGQNWY2/ref=cm_cr_ar_p_d_product_top?ie=UTF8). Shown on p. 1. (Year: 2019).\*

\* cited by examiner

*Primary Examiner* — Cynthia Ramirez  
*Assistant Examiner* — Michael A Maharajh

(56) **References Cited**

**U.S. PATENT DOCUMENTS**

D338,964 S \* 8/1993 Tarjoto ..... A61H 7/00  
D24/200  
D341,426 S \* 11/1993 Hubbard ..... D24/211  
D375,166 S \* 10/1996 Goulding-Thompson .....  
D24/211  
D385,965 S \* 11/1997 Wallesen ..... D24/212  
D386,879 S \* 11/1997 Daniels ..... D24/214  
D387,174 S \* 12/1997 Gladioux, Jr. .... D24/211  
6,010,469 A \* 1/2000 McAtee ..... A61H 7/003  
601/135  
D507,654 S \* 7/2005 Gollnick ..... D24/200  
D610,695 S \* 2/2010 Forte ..... D24/211  
D616,107 S \* 5/2010 Cochard ..... D24/214  
D617,908 S \* 6/2010 Nuenke ..... D24/214  
D718,461 S \* 11/2014 Sato ..... D24/215  
D757,281 S \* 5/2016 Hsieh ..... D24/200  
D788,933 S \* 6/2017 Sitsihovskiy ..... D24/211  
D788,934 S \* 6/2017 Hirokawa ..... D24/215  
D847,357 S \* 4/2019 Goncharov ..... D24/200  
D867,609 S \* 11/2019 Couto ..... D24/215

(57) **CLAIM**

The ornamental design for a massage tool, as shown and described.

**DESCRIPTION**

FIG. 1 is a front left top perspective of a massage tool of the present invention;  
FIG. 2 is a front elevation view of the massage tool of FIG. 1;  
FIG. 3 is a rear elevation view of the massage tool of FIG. 1;  
FIG. 4 is a top plan view of the massage tool of FIG. 1;  
FIG. 5 is a bottom plan view of the massage tool of FIG. 1;  
FIG. 6 is a left side elevation view of the massage tool of FIG. 1; and,  
FIG. 7 is a right side elevation view of the massage tool of FIG. 1.

**1 Claim, 6 Drawing Sheets**

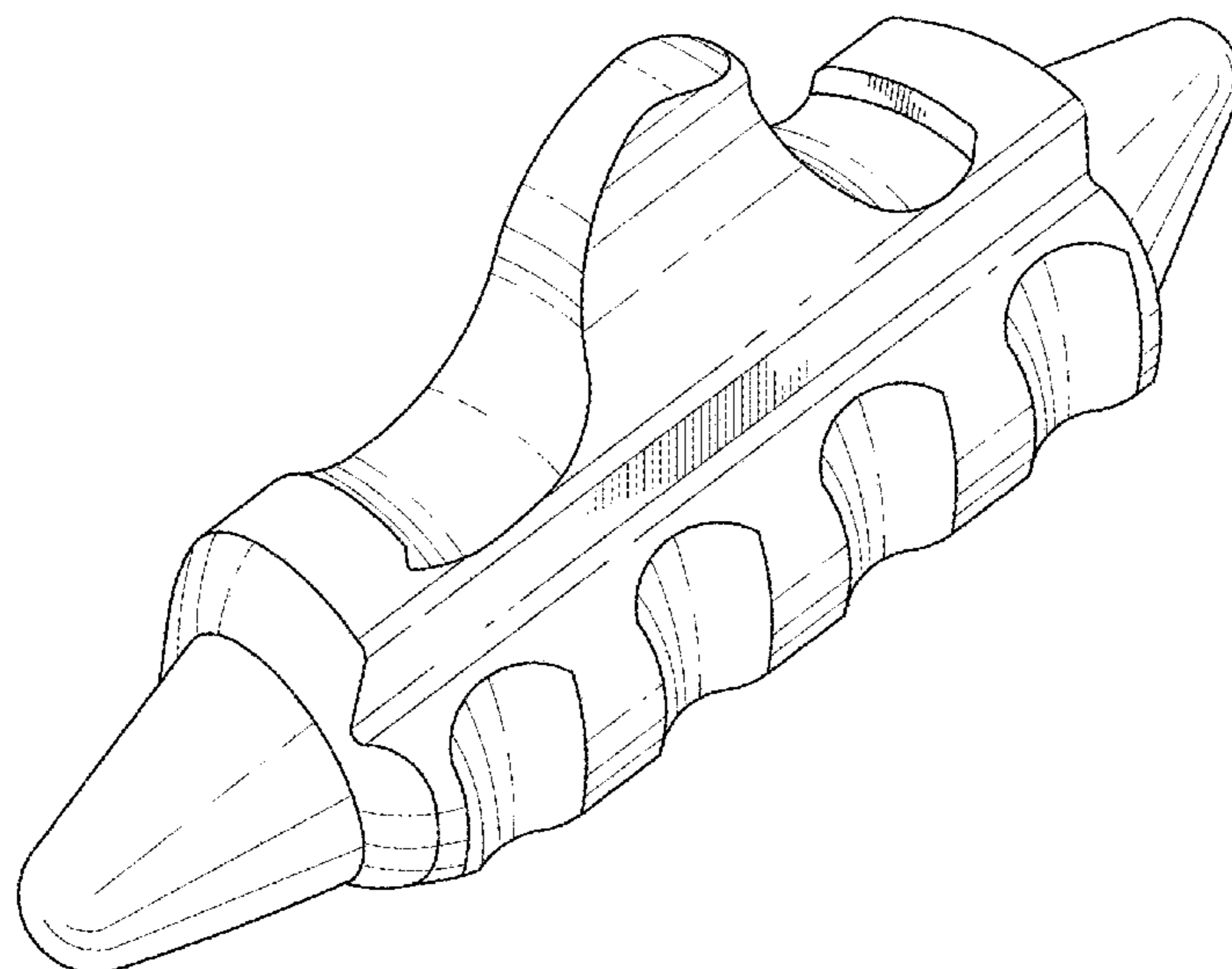
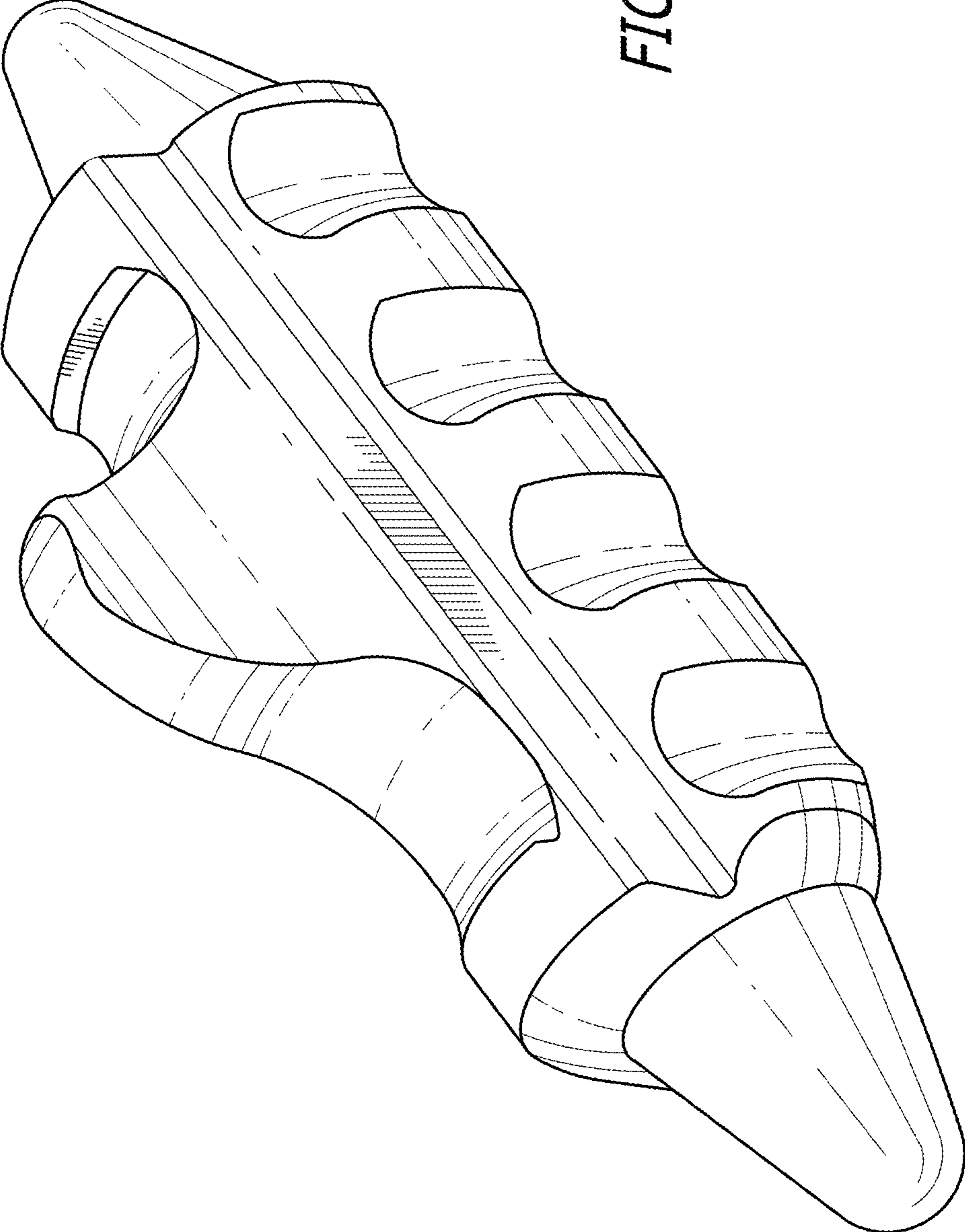


FIG. 1



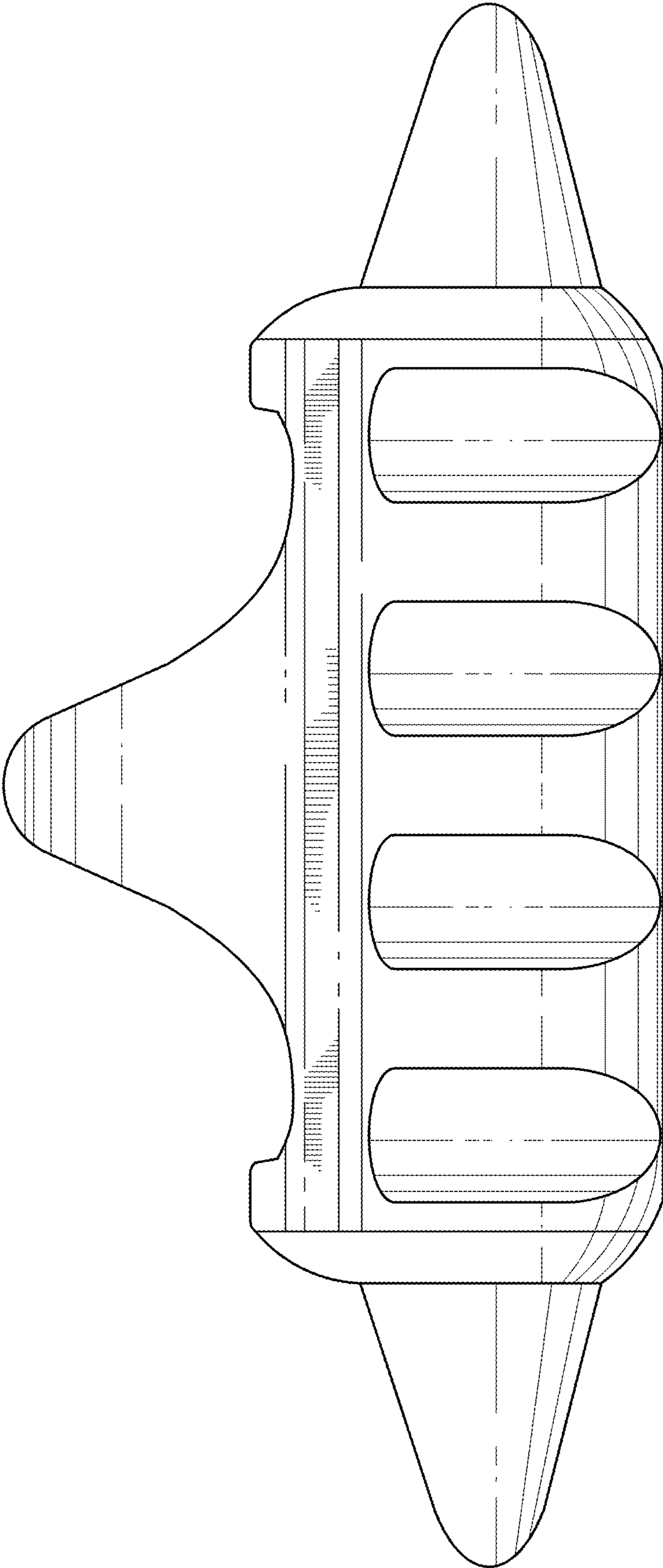


FIG. 2

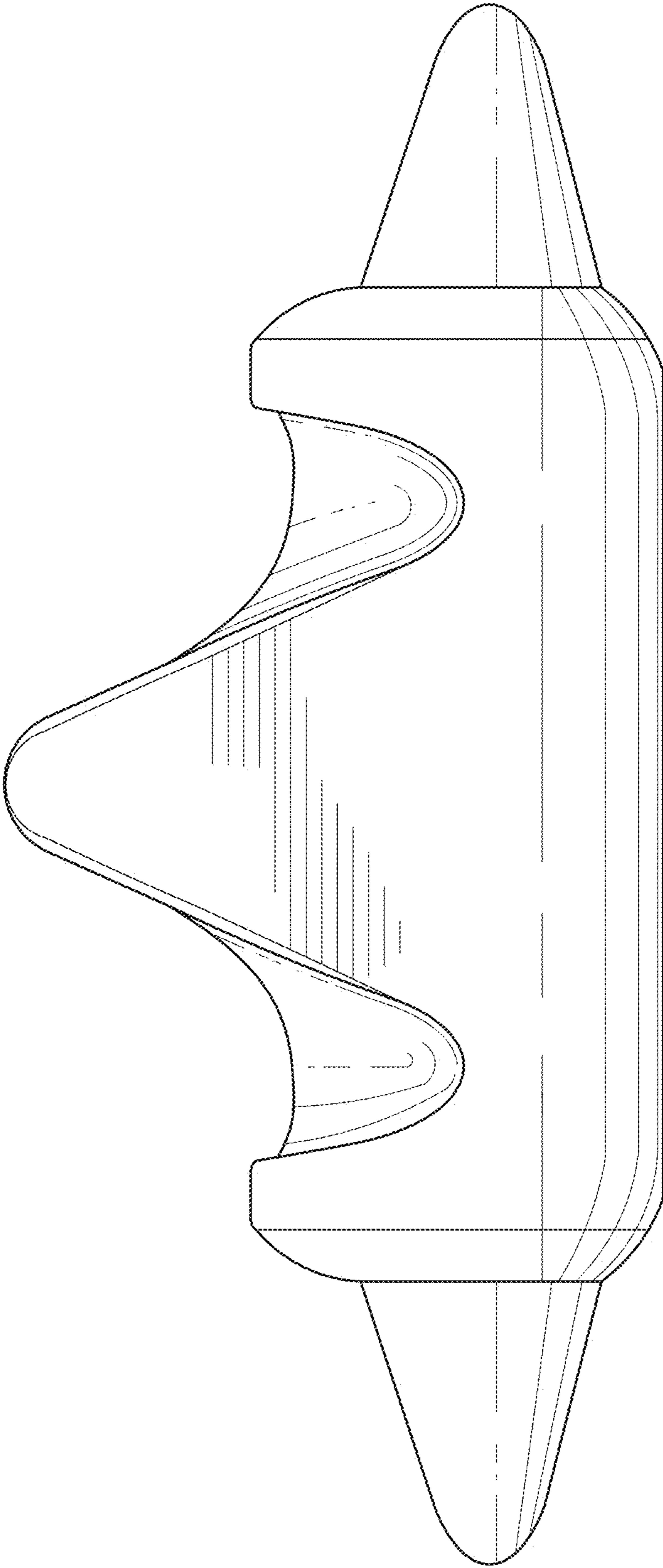


FIG. 3

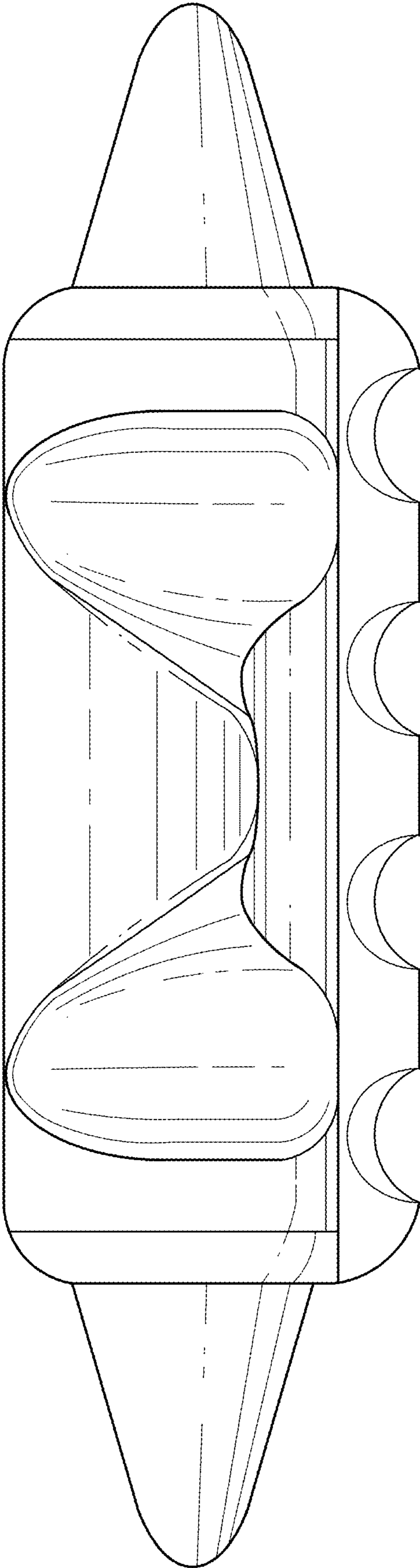


FIG. 4



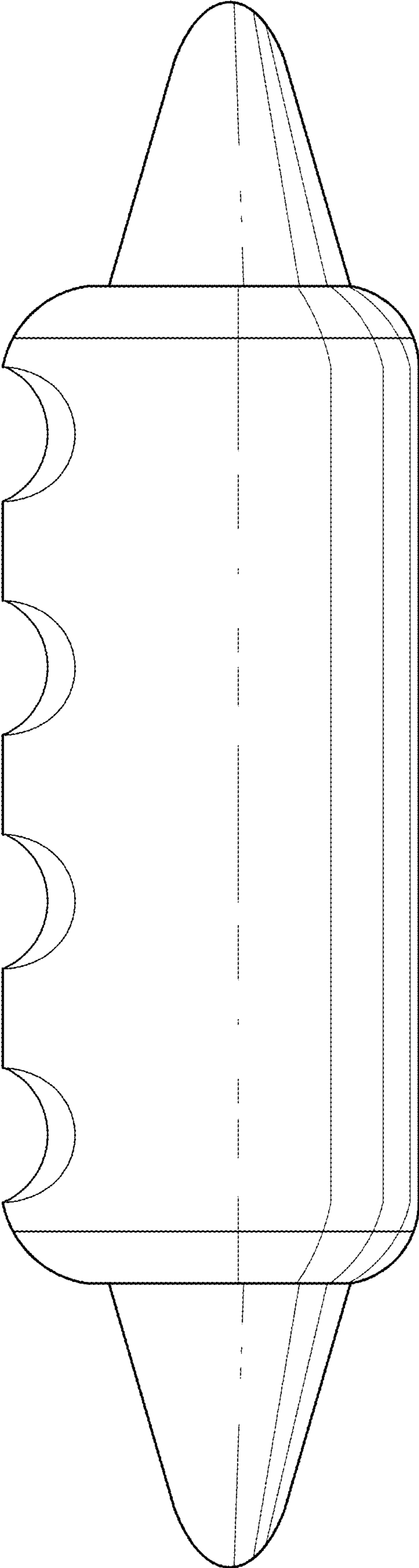


FIG. 5

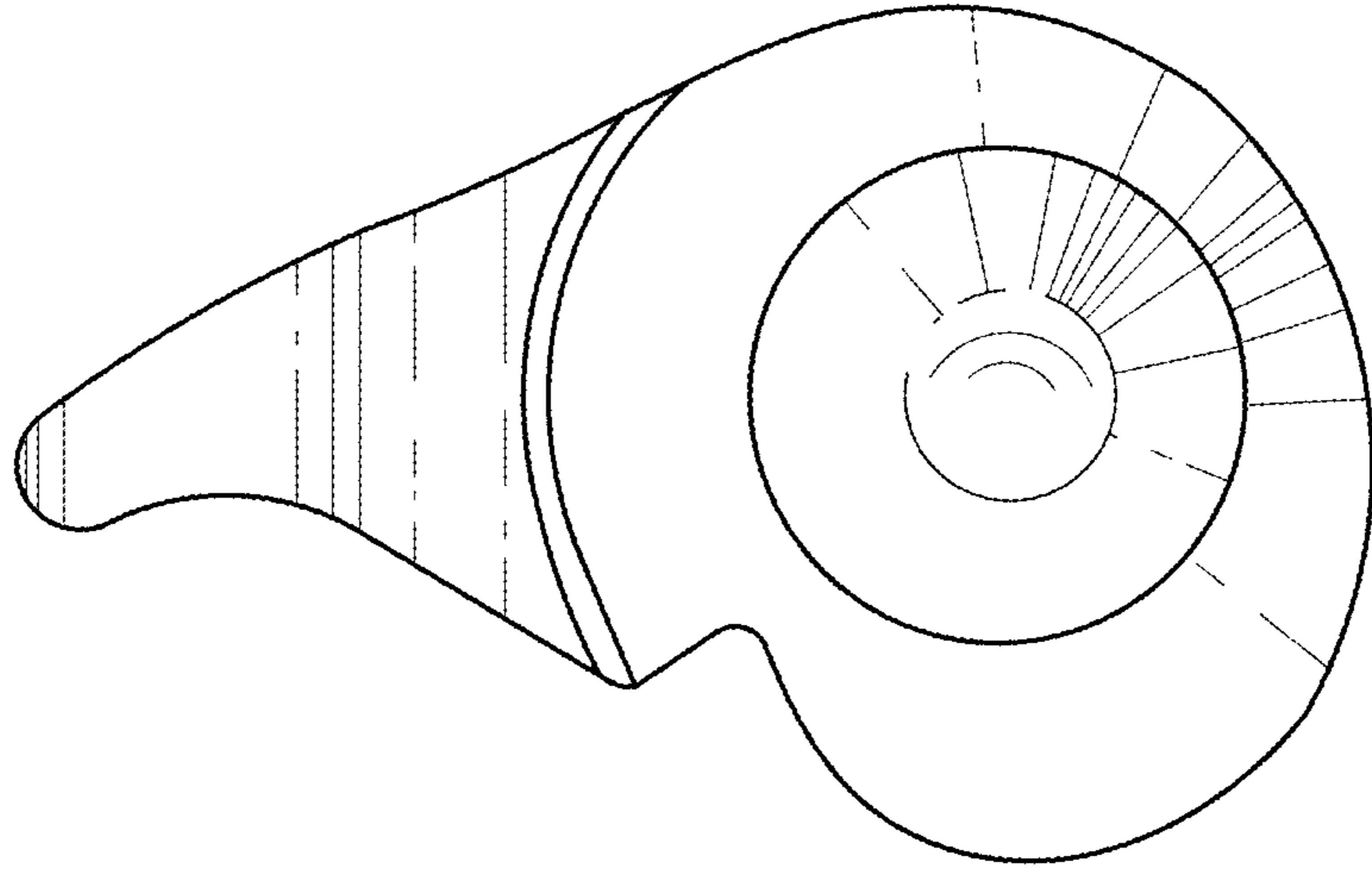


FIG. 7

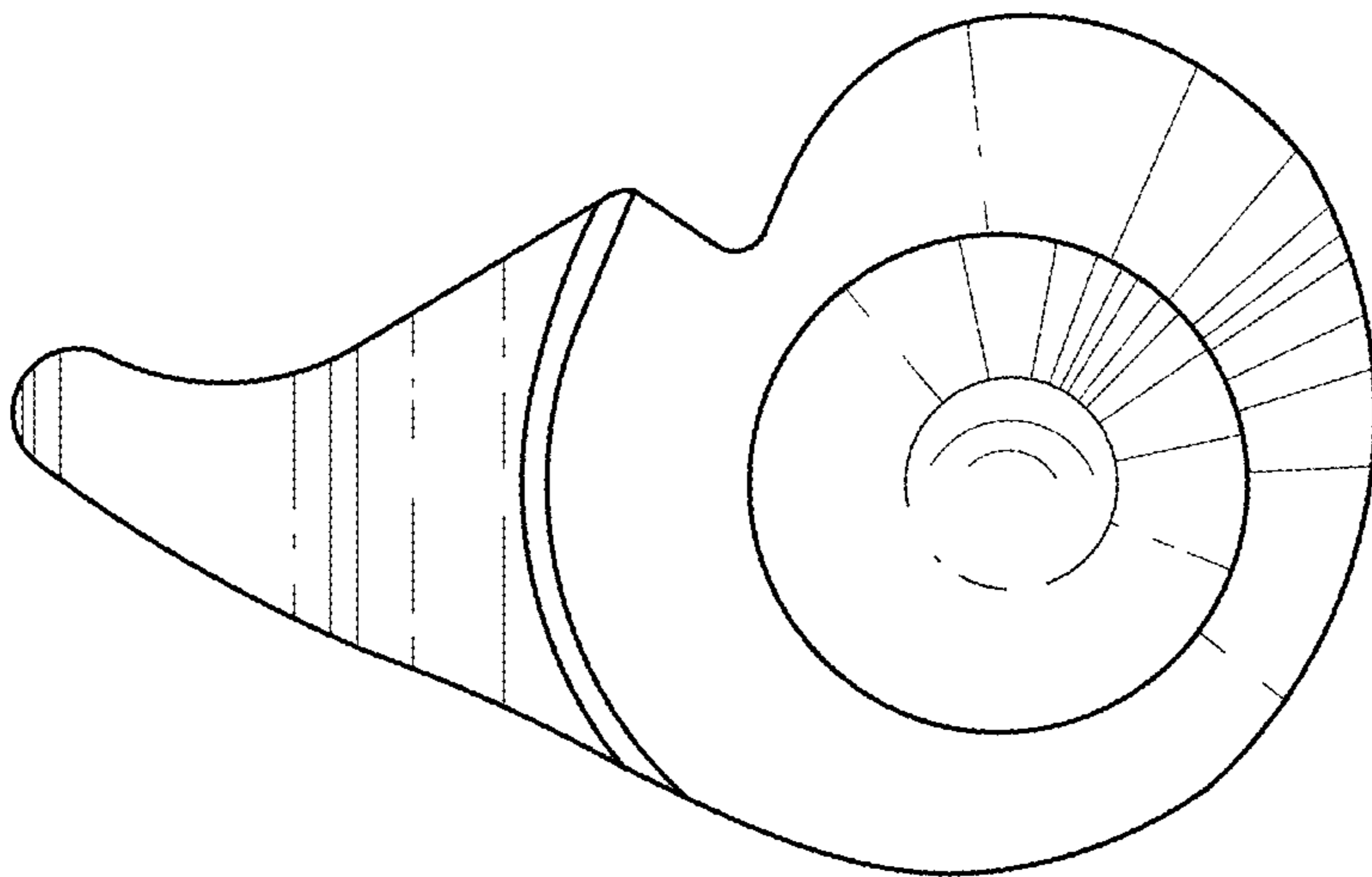


FIG. 6