



US00D918406S

(12) **United States Design Patent** (10) **Patent No.:** **US D918,406 S**
Elul et al. (45) **Date of Patent:** **** May 4, 2021**

(54) **MESSAGE TOOL**
(71) Applicant: **EJ Helix LLC**, New York, NY (US)
(72) Inventors: **Eitan Elul**, Brooklyn, NY (US);
Joshua Shavolian, New York City, NY (US)
(**) Term: **15 Years**
(21) Appl. No.: **29/689,738**
(22) Filed: **May 1, 2019**
(51) **LOC (13) Cl.** **28-03**
(52) **U.S. Cl.**
USPC **D24/214**
(58) **Field of Classification Search**
USPC D24/200, 211, 212, 213, 214, 215
CPC A61H 15/00; A61H 2015/0014
See application file for complete search history.

(56) **References Cited**
U.S. PATENT DOCUMENTS
4,002,164 A * 1/1977 Bradley A61H 21/00
601/135
D246,727 S * 12/1977 Holkesvick D24/211
D258,687 S * 3/1981 Katsube 601/107
4,266,536 A * 5/1981 Casares A61H 15/0092
601/119
D268,362 S * 3/1983 Wong D21/399
D317,204 S * 5/1991 Hennesseey D24/211
D326,525 S * 5/1992 Shimizu D24/200
D326,721 S * 6/1992 Ujifusa D24/200
D336,959 S * 6/1993 Liming D24/214
D340,527 S * 10/1993 Goodell D11/40
D347,898 S * 6/1994 Belcher D24/200
D351,658 S * 10/1994 Beckman D24/133
D357,984 S * 5/1995 Heck D24/211
D359,124 S * 6/1995 Rosenberg D24/211
D402,764 S * 12/1998 Chatfield D24/211
D403,431 S * 12/1998 Gladieux, Jr. D24/215

5,862,564 A * 1/1999 Hamm A47K 7/08
15/143.1
D405,536 S * 2/1999 Haynes D24/214
D423,676 S * 4/2000 Lazio D24/211
(Continued)

OTHER PUBLICATIONS

Amazon, "Body Back Buddy", Sep. 21, 2017. https://www.amazon.com/Body-Back-Massager-Handheld-Massage/dp/B005F9F5H4/ref=cm_cr_ar_p_d_product_top?ie=UTF8. Shown on p. 1. (Year: 2017).*

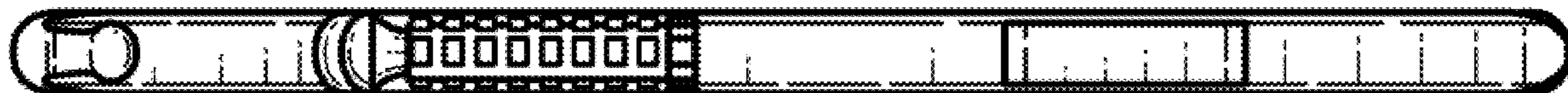
Primary Examiner — Cynthia Ramirez
Assistant Examiner — Michael A Maharajh

(57) **CLAIM**
The ornamental design for a massage tool, as shown and described.

DESCRIPTION

FIG. 1 is a top view of a massage tool, showing our new design;
FIG. 2 is a bottom view thereof;
FIG. 3 is a front view thereof, with the back view being a mirror image;
FIG. 4 is a top front perspective view thereof, with the top back perspective view being a mirror image;
FIG. 5 is a bottom front perspective view thereof, with the back perspective view being a mirror image;
FIG. 6 is a left view thereof;
FIG. 7 is a top left front perspective view thereof, with the top left back perspective view being a mirror image;
FIG. 8 is a bottom left front perspective view thereof, with the bottom left back perspective view being a mirror image;
FIG. 9 is a right view thereof;
FIG. 10 is a top right front perspective view thereof, with the top right back perspective view being a mirror image; and,
FIG. 11 is a bottom right front perspective view thereof, with the bottom right back perspective view being a mirror image.

1 Claim, 4 Drawing Sheets



(56)

References Cited

U.S. PATENT DOCUMENTS

D436,181 S * 1/2001 Lazio D24/214
 D444,566 S * 7/2001 Thomas D24/214
 6,261,251 B1 * 7/2001 Meyers A61H 7/001
 601/134
 D456,909 S * 5/2002 Szabo D24/214
 D461,009 S * 7/2002 Viner D24/214
 D539,915 S * 4/2007 Timmer D24/214
 D590,510 S * 4/2009 Johansen D24/214
 D646,794 S * 10/2011 Hennessey D24/214
 D669,591 S * 10/2012 Heininen D24/214
 D675,332 S * 1/2013 Tinder D24/215
 D689,620 S * 9/2013 Louis D24/215
 D690,431 S * 9/2013 Nohr D24/215
 D698,936 S * 2/2014 Pudhnum D24/215
 D722,174 S * 2/2015 Almarales D24/214
 D722,176 S * 2/2015 Gutman D24/215
 D742,534 S * 11/2015 Bains D24/214
 D743,043 S * 11/2015 Cao D24/215
 D750,796 S * 3/2016 Bains D24/214
 D765,872 S * 9/2016 Blaskovich D24/214

D767,157 S * 9/2016 Yu D24/215
 D768,307 S * 10/2016 Hetzel D24/214
 D769,454 S * 10/2016 Hong D24/215
 D773,682 S * 12/2016 Faussett A61H 15/0092
 D24/214
 D802,782 S * 11/2017 Cross D24/211
 D883,507 S * 5/2020 Yamada D24/215
 D905,263 S * 12/2020 Paczewski D24/215
 2003/0009116 A1 * 1/2003 Luetngen A61H 19/50
 601/46
 2012/0259257 A1 * 10/2012 Nelson A61H 39/04
 601/119
 2013/0023807 A1 * 1/2013 Hennessey A61H 7/003
 601/119
 2014/0088469 A1 * 3/2014 Wise A61H 19/40
 601/46
 2014/0350445 A1 * 11/2014 Lok A61H 7/007
 601/137
 2016/0166462 A1 * 6/2016 Conder A61H 39/04
 601/84
 2017/0273855 A1 * 9/2017 Liu A61H 7/003

* cited by examiner

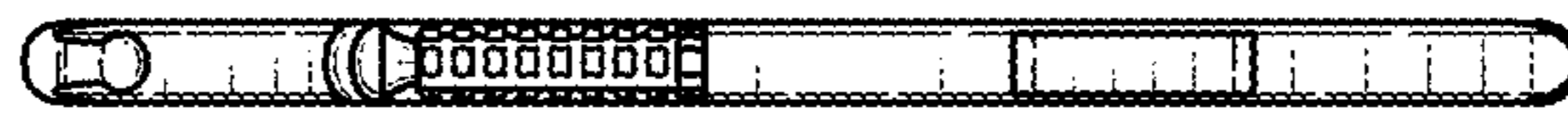


FIG. 1

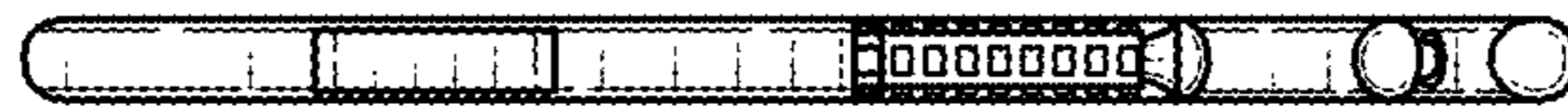


FIG. 2

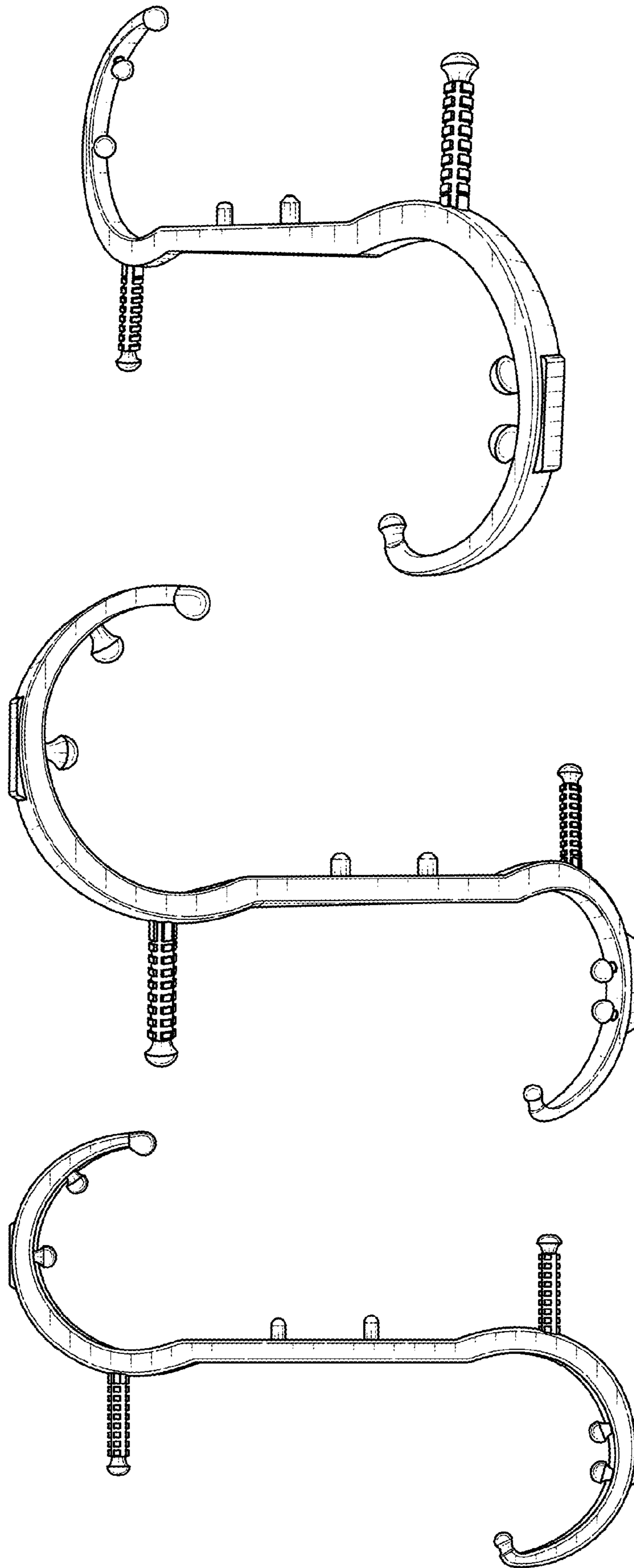


FIG. 3

FIG. 4

FIG. 5

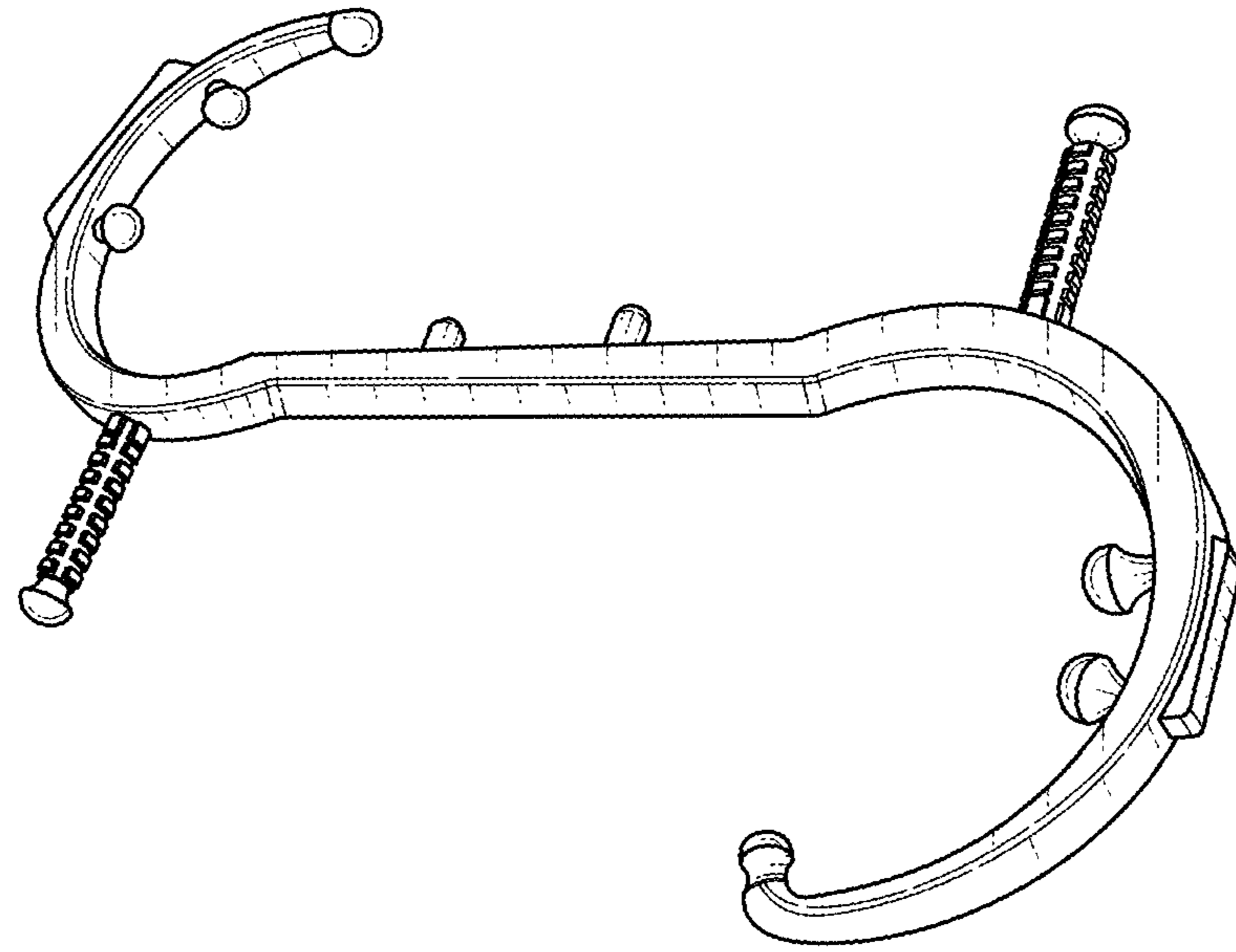


FIG. 8

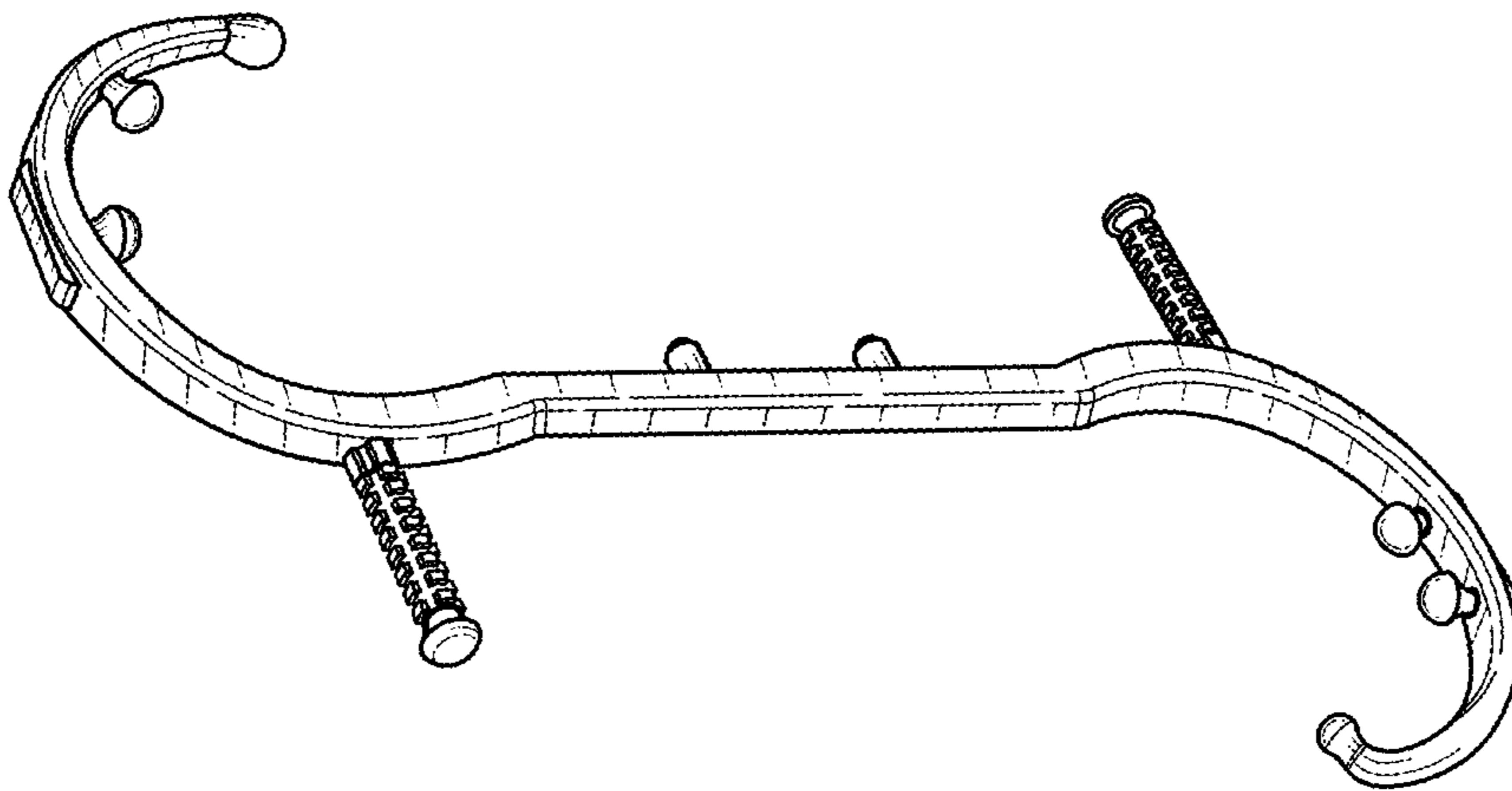


FIG. 7



FIG. 6

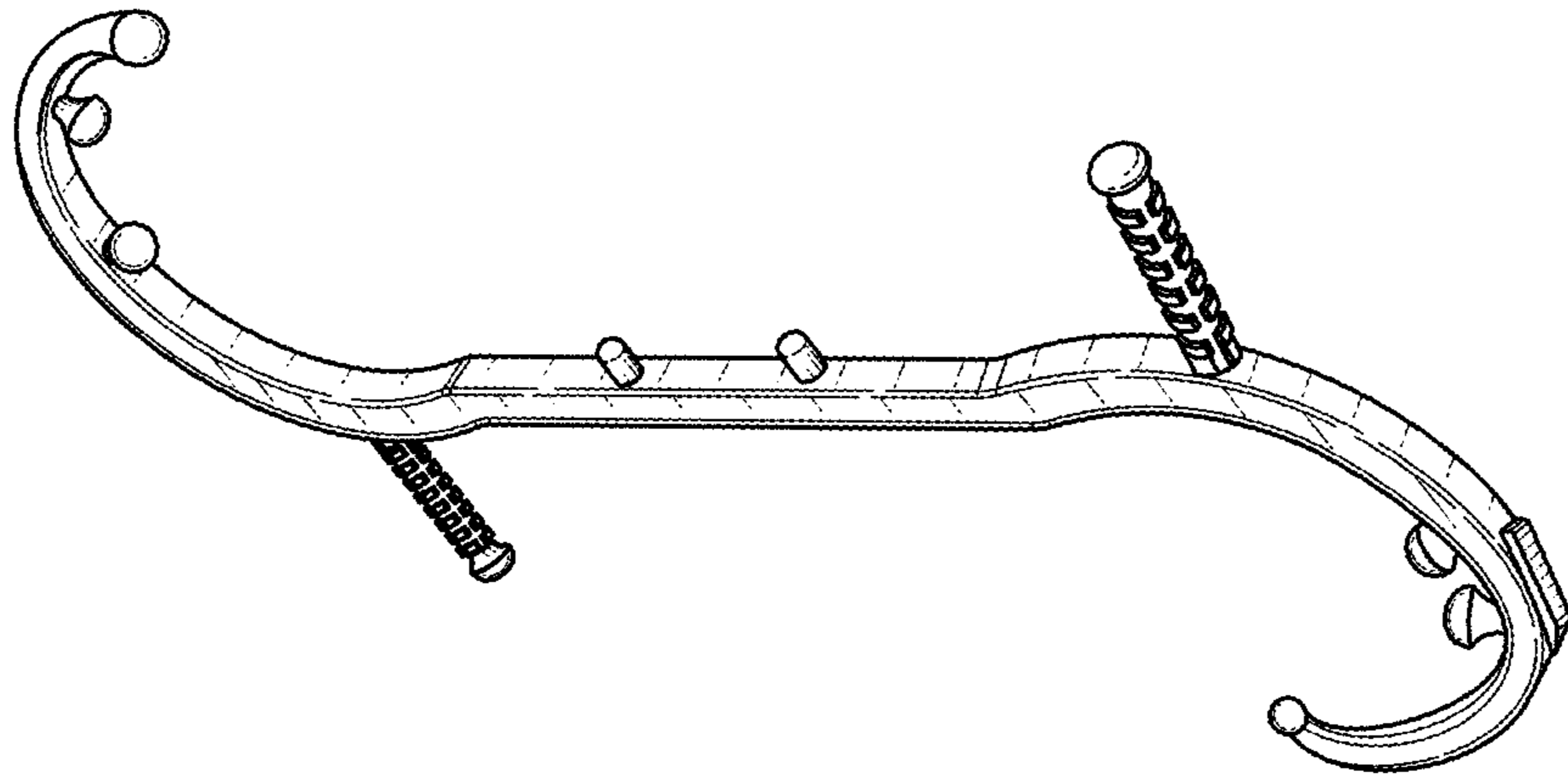


FIG. 11

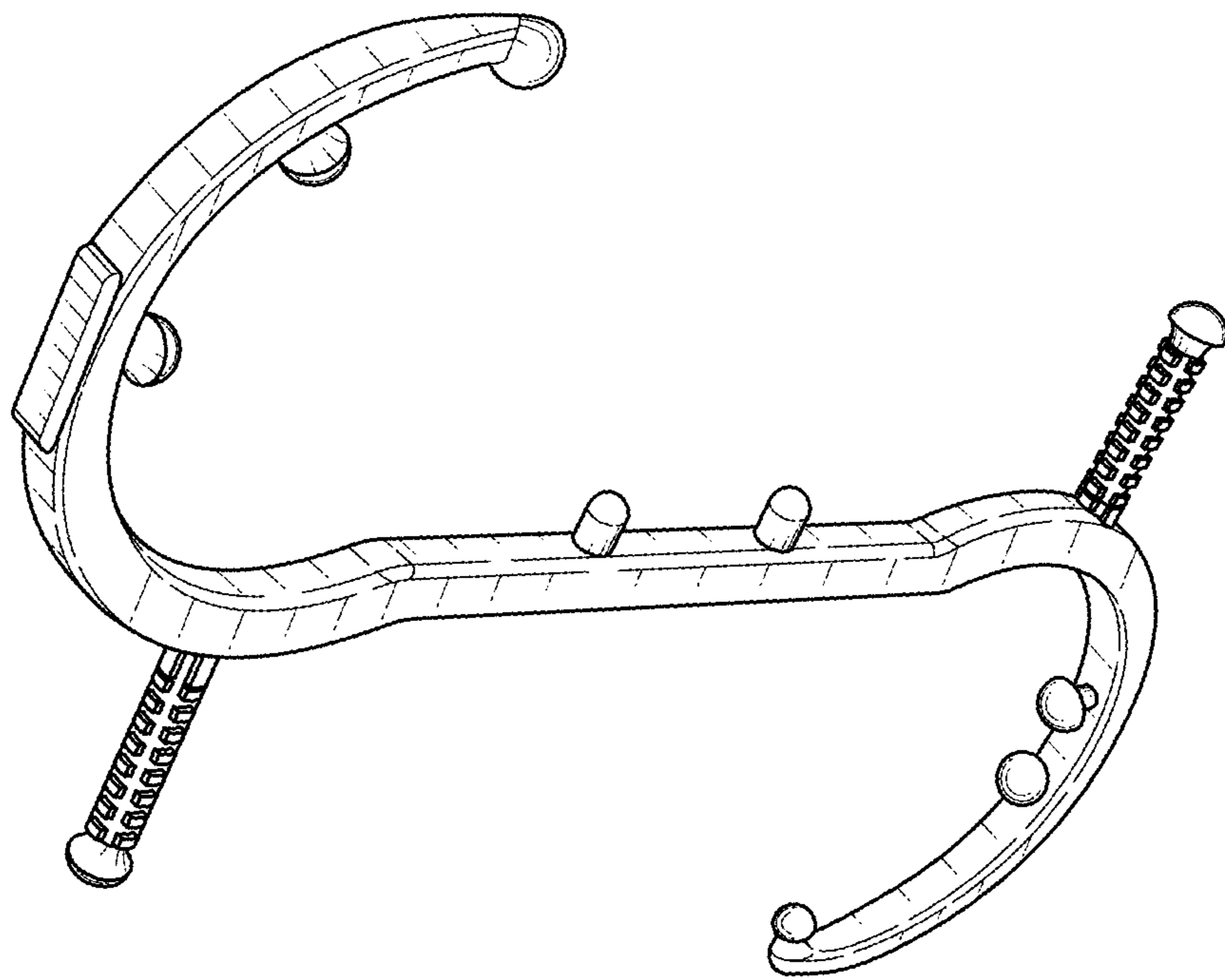


FIG. 10



FIG. 9